

TOUCHSCREEN CONTROLLER INSTALL GUIDE

FOR INTELLIFLO3® VSF AND INTELLIPRO3® VSF PUMPS

This guide provides instructions for installing the IntelliFlo3 VSF or IntelliPro3 VSF Variable Speed and Flow Pump Touchscreen Controller. Follow the instructions below to ensure proper installation.

Installing the Touchscreen Controller allows for complete control of pump scheduling and programming of other pump features directly from the pump drive.

⚠ WARNING

RISK OF ELECTRICAL SHOCK OR ELECTROCUTION. Always disconnect power to the pump at the circuit breaker before servicing the pump. Failure to do so could result in death or serious injury to service people, users or others due to electric shock.

Read all servicing instructions before working on the pump.

Removing the Blank Cover

1. Press ON/STOP to stop the pump and disconnect all power to the pump at the circuit breaker.

⚠ WARNING

STORED CHARGE - Wait at least sixty (60) seconds before opening the wiring compartment.

2. Using a #2 Phillips-head driver, unfasten the two Wiring Cover Screws (1). See **FIGURE 1**.
3. Remove the Wiring Compartment Cover and place it aside.
4. Using a #2 Phillips-head driver, remove the four Blank Cover Screws (2). See **FIGURE 1**.
5. Remove the Blank Cover from the drive assembly.

NOTE: Once the Blank Cover is removed the three Button Light Guides are no longer captive. **Ensure these are not lost while installing the Touchscreen Controller.**

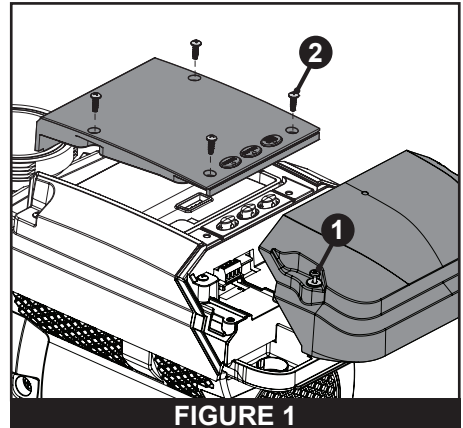


FIGURE 1

Installing the Touchscreen Controller

1. Verify the Button Gasket is correctly installed onto the Touchscreen Controller (as shown in **FIGURE 2A**).
If Button Gasket is NOT properly installed, Align the gasket as shown in FIGURE 2B.
2. Align and place the Touchscreen Controller onto the Drive Assembly as shown in **FIGURE 3**.
3. Gently push the Touchscreen Controller down until it is flush with the top of the Drive Assembly.
4. Using the four provided Touchscreen Screws (3), secure the Touchscreen Controller to the Drive Assembly. See **FIGURE 3**.
5. Reinstall the Wiring Cover.
6. Close the Touchscreen Cover when not in use to protect the screen.
7. Refer to your pump's *Installation and Maintenance Guide (P/N 356231)* for instructions on restarting your filtration system and using the Touchscreen Controller.

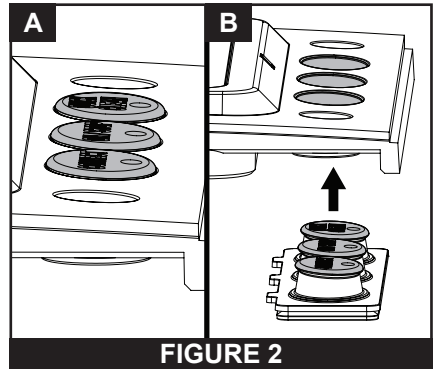


FIGURE 2

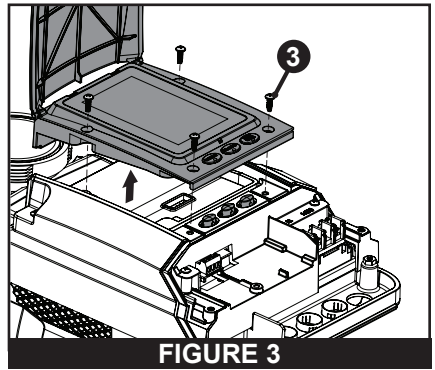


FIGURE 3

1620 HAWKINS AVE., SANFORD, NC 27330 • (919) 566-8000
10951 WEST LOS ANGELES AVE., MOORPARK, CA 93021 • (805) 553-5000
WWW.PENTAIR.COM

All indicated Pentair trademarks and logos are property of Pentair. Third party registered and unregistered trademarks and logos are the property of their respective owners. Because we are continuously improving our products and services, Pentair reserves the right to change specifications without prior notice.

© 2021 Pentair. All rights reserved. This document is subject to change without notice.



P/N 356234 REV. A 10/18/21