

# AUTOMATION PARTS

Product Catalog 2023

# INTELLICENTER® CONTROL SYSTEM REPLACEMENT PARTS

Part No.	Description	US List	Can. List
<b>CIRCUIT BOARD REPLACEMENT PARTS</b>			
523050	i5P Replacement Outdoor Control Panel Circuit Board with Faceplate for Common Load Center/Common Power Center	1759.91	2114.71
523051	i5X Expansion Replacement Circuit Board with Faceplate for Common Load Center/Common Power Center	2151.86	2585.67
521936Z	i5PS Personality Card Circuit Board (expansion card that slide connects to the i5P main board - replacement or upgrading a system)	CALL	CALL
521977Z	i8P Personality Card Circuit Board (expansion card that slide connects to the i5P main board - replacement or upgrading a system)	CALL	CALL
521968Z	i8PS Personality Card Circuit Board (expansion card that slide connects to the i5P main board - replacement or upgrading a system)	CALL	CALL
521993Z	i10P Personality Card Circuit Board (expansion card that slide connects to the i5P main board - replacement or upgrading a system)	CALL	CALL
521873Z	i10PS Personality Card Circuit Board (expansion card that slide connects to the i5P main board - replacement or upgrading a system)	CALL	CALL
523029Z	i10D Personality Card Circuit Board (expansion card that slide connects to the i5P main board - replacement or upgrading a system)	CALL	CALL
522997Z	i10X Expansion Card Circuit Board (expansion card that slide connects to the i5X main board - replacement or upgrading a system)	3327.75	3998.62
<b>WIRELESS REPLACEMENT PARTS</b>			
522051	Wireless Remote (replacement remote only)	CALL	CALL
522052	Charging Cradle plus Transformer	CALL	CALL
522053Z	Wireless Wall Mounting Kit with Hardware (included in every IntelliCenter Wireless Remote Kit - allows remote to hang on a wall like an indoor control panel - no charging provided while hanging on wall, wireless remote must be placed on charging cradle periodically to charge)	CALL	CALL
520830Z	Wireless Transformer (for wireless remote charging cradle)	CALL	CALL
520244	Transceiver Enclosure with Mounting Hardware (does not contain the transceiver circuit board)	132.70	159.45
522054	Battery for Wireless Remote (with flat door)	CALL	CALL
521984Z	Wireless Transceiver Circuit Board (for use in 520244)	CALL	CALL
522056Z	Wireless Transceiver Circuit Board plus Enclosure with Mounting Hardware (includes both 520244 and 521984Z)	CALL	CALL
523355	Wireless Remote Repeater Kit (used when longer range is required for the IntelliCenter wireless remote)	CALL	CALL
523434	900 MHz Wireless Ethernet Link	CALL	CALL
523557	900 MHz Wireless Ethernet Link Kit (includes PoE module and Ethernet cables)	929.96	1117.44
544425	Cable POE/Ethernet High Power Wireless Bundle	CALL	CALL
<b>MISCELLANEOUS REPLACEMENT PARTS</b>			
522978Z	Battery for Indoor Control Panel and Outdoor Control Panel	54.84	65.90
522102Z	System Transformer	CALL	CALL
523345	Circuit Breaker Kit: 4-Amp Breaker	CALL	CALL
523346	Circuit Breaker Kit: 5-Amp Breaker	CALL	CALL
522004Z	Bezel Faceplate for Common Load Center/Common Power Center (with overlay)	CALL	CALL
522005Z	Faceplate for Load Center/Power Center, IT/ET OCP Upgrade	CALL	CALL
522062Z	Legacy Transformer for Upgrades to IntelliCenter 24VAC 18VAC	CALL	CALL
523342Z	Legacy Transformer Bracket for Upgrades to IntelliCenter	CALL	CALL



IntelliCenter Wireless Control Panel  
P/N 522036



IntelliCenter  
Mobile Interface



Controller Options

# INTELLITOUCH® AUTOMATION REPLACEMENT PARTS

Part No.	Description	US List	Can. List
<b>NEW INTELLITOUCH AUTOMATION REPLACEMENT PARTS</b>			
521227	Replacement Load Center Door	411.14	494.03
521057Z	New Load Center 150A 10 Circuit Breaker Base	409.94	492.58
521233	Load Center System Transformer, after change date	306.16	367.88
521051Z	New Load Center High Voltage Cover Panel Dead Front	205.53	246.96
521078Z	New Power Center High Voltage Cover Panel	202.36	243.16
521081Z	Door Latch	98.60	118.48
521228	New OCP Bezel, i5+3, i7, i9+3	139.00	167.02
521229	New OCP Bezel, i10+3D	169.80	204.03
521230	New OCP Bezel, i5+3S, i9+3S	150.35	180.66
521231	New OCP Bezel, i5x, i10x	169.80	204.03
521441	IntelliChlor System Transformer, after change date	430.38	517.14
520151Z	Kit Bkt Mtg LC & PC	150.48	180.82
520724	Pwr Cable For IntelliChlor SCG Systems	165.55	198.92
521218	New Load Center IntelliChlor SCG Surge Board PCBA	529.72	636.51
8520031Z	Repl. Circuit Breaker (3 Amp)	67.41	81.00
521142Z	New Load Center Resettable 12A 50V Scg Circuit Breaker	98.60	118.48
8023304	4-Pin Com Port Connector	16.17	19.43
522101	Solar Temperature Sensor (black)	CALL	CALL
RLYHTR	Heater Relay Repair Kit	229.45	275.71
520106	Relay Kit, 20 Amp	161.65	194.24
RCS1	Spa Jets Switch, Wall Mount, Single Gang Plate	284.05	341.31
CRALX	Adapter, 1 Relay Controlled By 2 Circuits	246.19	295.82

<b>INTELLITOUCH AUTOMATION REPLACEMENT PARTS</b>			
520287	Circuit Board, Universal Outdoor Controller (Mother Board)	2099.71	2523.01
520265	Circuit Board, i5+3 Personality	CALL	CALL
520266	Circuit Board, i7+3 Personality	CALL	CALL
520267	Circuit Board, i9+3 Personality	CALL	CALL
520296Z	Circuit Board, i5+3S Personality	789.93	949.18
520078Z	Circuit Board, i9+3S Personality	4564.63	5484.86
520077Z	Circuit Board, i10+3D Personality	4564.63	5484.86
520080Z	Circuit Board, i5X Personality	789.93	949.18
520079Z	Circuit Board, i10X Personality	3335.73	4008.21
520273	Cover Plate, IntelliTouch Indoor Control Panel, White	101.59	122.07
520276	Mounting Sheaves, IntelliTouch Indoor Control Panel	33.83	40.65
520277	Mounting Hardware, IntelliTouch Indoor Control Panel	31.96	38.40
520281	Breaker Base, IntelliTouch Load Center 4/8 Position	275.11	330.57
8520031Z	Repl. Circuit Breaker (3 Amp)	67.41	81.00
520342	Replacement System Transformer Assembly, IntelliTouch	816.58	981.20
520272	Water Temp Sensor 10k Ohm, 20' Length	120.73	145.07
520405	IntelliTouch Load Center Replacement Door	322.59	387.62

Part No.	Description	US List	Can. List
BAT3	Battery, 3-Volt Lithium	26.63	32.00
520119Z	Old LC High Voltage Cover Panel	101.42	121.87
9321004	Clamp For Water Temperature Sensor	CALL	CALL
520108	Terminal Screw 4 Wire (Green)	31.84	38.26
520343	iS10 Mounting Kit	100.08	120.26
520062	Control Panel Bezel, i5+3, i7, i9+3	149.46	179.59
520303	Control Panel Bezel, i10+3D	169.80	204.03
520304	Control Panel Bezel, i5+3S, i9+3S	161.64	194.23
520302	Control Panel Bezel, i5x, i10x	CALL	CALL
520498	Touch Panel, ACC ITC35	CALL	CALL
520499	Tablet, ACC ITC45	CALL	CALL
8023304	4-Pin Com Port Connector	16.17	19.43

<b>WIRELESS REMOTE REPLACEMENT PARTS</b>			
523434	ScreenLogic Wireless Connect Kit	CALL	CALL
520341	Wireless Remote Antenna Only, before change date/pre version ____	CALL	CALL
520217	Wireless Remote Antenna Only, after change date/pre version ____	96.94	116.48
520244	MobileTouch I & II Transceiver Enclosure with Mounting Hardware	132.70	159.45
520946Z	Wireless Remote Antenna and Transceiver Complete Kit, works with all versions	741.81	891.36
520830Z	MobileTouch II Transformer with Cord	CALL	CALL
520834Z	MobileTouch II Charging Cradle	261.50	314.22
520815Z	MobileTouch II Battery & Door	528.36	634.88
520191	MobileTouch I Transformer with Cord	64.64	77.67
520217	Antenna For Mobiletouch 1 Transceiver	96.94	116.48
520907	MobileTouch II Wireless Remote Replacement	CALL	CALL
520946Z	Mobiletouch II Transceiver Circuit Board With Attached Antenna	741.81	891.36
8520031Z	Repl. Circuit Breaker (3 Amp)	67.41	81.00

<b>INTELLITOUCH AUTOMATION LABELS</b>			
520658	Indoor Control Panel Labels (Qty. 10)	171.28	205.81
520283	Outdoor Panel Labels (Qty. 10)	239.31	287.55
521227	New Load Center Door w/ET & IT Labels (Qty. 10)	411.14	494.03
520344	iS10 Label Set (Qty. 10)	256.41	308.10
522082	iS4 Label Set (Qty. 10) - New Style	64.66	77.70
520173	iS4 Label Set (Qty. 10) - Old Style	64.64	77.67

CALIFORNIA PROPOSITION 65 WARNING

⚠️ **WARNING:** Cancer and Reproductive Harm.  
 ⚠️ **AVERTISSEMENT:** Peut Causer le Cancer et des Dommages au Système Reproducteur.  
 ⚠️ **ADVERTENCIA:** Cáncer y Daño Reproductivo.

[www.p65warnings.ca.gov](http://www.p65warnings.ca.gov) PH201114

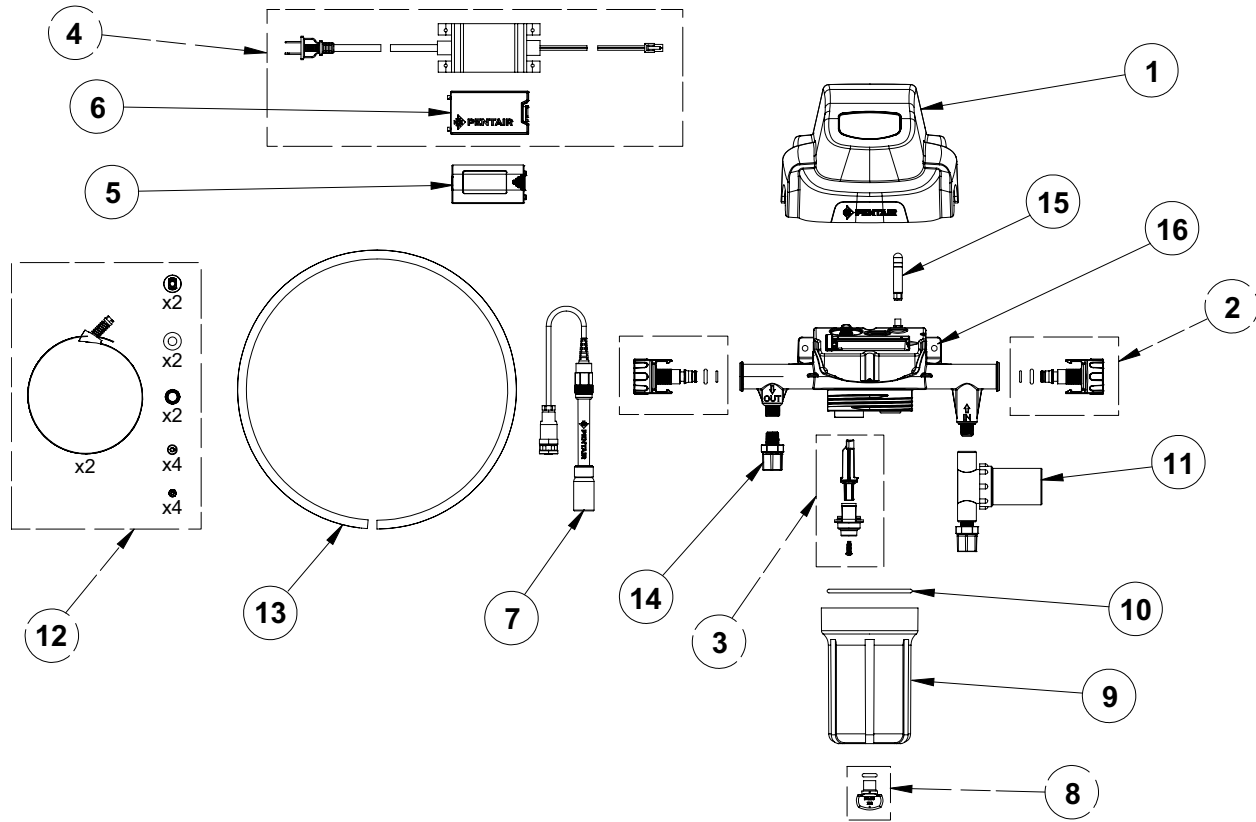
Product on pages 34–39.

# INTELLISYNC™ REPLACEMENT PARTS



Part No.	Description	US List	Can. List
<b>INTELLISYNC REPLACEMENT PARTS</b>			
523404	IntelliSync Unit	CALL	CALL
523413Z	Top Cover	CALL	CALL
523410Z	Power Supply	109.40	131.46
8023302	Terminal Plug (2 Position)	13.51	16.23
8023304	Terminal Plug (4 Position)	16.17	19.43
8023306	Terminal Plug (6 Position)	27.09	32.55
<b>Water/Air Temperature Sensor Kit</b>			
520872	Water/Air Temperature Sensor Kit	CALL	CALL
	521583 - Temperature Sensor, 10k Ohms, 40 ft		
	521584 - Temperature Sensor, 10k Ohms, 20 ft		
	476168 - Hose Clamp (1-7/8" - 5" Clamp)		
	9321004 - Hose Clamp 2-3/4 IN		

# CHEMCHECK™ REPLACEMENT PARTS



Item	Part No.	Description	US List	Can. List
<b>CHEMCHECK REPLACEMENT PARTS</b>				
1	523527	Top Cover	121.75	146.29
2	523539	Flow Valves (inlet AND outlet)	52.19	62.71
3	523540	Flow Switch	45.22	54.34
4	523526	Power Supply (includes Item 6)	CALL	CALL
5	523387Z	Battery Pack	121.75	146.29
6	523396Z	Battery Cover	27.83	33.44
7	523399Z	Electrode	208.73	250.81
8	523522	Drain Plug Assembly	CALL	CALL
9	523506Z	Reservoir	86.95	104.48
10	523516Z	Reservoir O-ring	CALL	CALL

Item	Part No.	Description	US List	Can. List
<b>CHEMCHECK REPLACEMENT PARTS</b>				
11	523441Z	In-line Filter	55.65	66.87
12	523440Z	Install Hardware Kit	41.74	50.15
13	521814	Tubing, 20 ft.	CALL	CALL
14	606000100Z	Tube Fitting	6.88	8.27
15	523385Z	Antenna	52.19	62.71
16	523541	Base Assembly (includes Items 2, 3 and 14)	243.50	292.59

# EASYTOUCH® & EASYTOUCH PL4/PSL4 CONTROL SYSTEMS REPLACEMENT PARTS

Part No.	Description	US List	Can. List
<b>NEW EASYTOUCH CONTROL SYSTEMS REPLACEMENT PARTS</b>			
521227	Replacement Load Center Door	411.14	494.03
521057Z	Load Center 125A 8 Circuit Breaker (size), after change date 2011	409.94	492.58
521232	Fold-down Bezel Replacement, after change date 2011	136.95	164.56
521051Z	Load Center, High Voltage Cover Panel (size), after change date 2011	205.53	246.96
521233	Load Center System Transformer, after change date 2011	306.16	367.88
521218	IntelliChlor CG Board, after change date 2011	529.72	636.51
521142Z	Fuse, CG IntelliChlor 12A-50V Resettable Circuit Breaker, after change date 2011	98.60	118.48
521441	IntelliChlor System Transformer, after change date 2011	430.38	517.14
520151Z *	Mounting Bracket Kit for (LC & PC RPLC), all Load Centers	150.48	180.82
521081Z *	Door Latch Assy (RPLC), all Load Centers	98.60	118.48
8520031 *	Internal Circuit Breaker Assy, all Load Centers	CALL	CALL
8023304 *	4-Pin Com Port Connector	16.17	19.43
520724	IntelliChlor Cell/PCBA Power Cable For Intellichlor SCG Systems	165.55	198.92
520946Z *	EasyTouch Transceiver Circuit Board with Attached Antenna	741.81	891.36
520691	Wireless Control Only, 4 Aux.	CALL	CALL
520692	Wireless Control Only, 8 Aux	CALL	CALL
520546	Wireless Control Complete w/Antenna & Transceiver	CALL	CALL
520547	Wireless Control Complete w/Antenna & Transceiver	CALL	CALL
522101 *	Solar Temperature Sensor (black)	CALL	CALL
RLYHTR *	Relay, Heater Repair Kit, includes RLY Replacement Relay with board connection wire	229.45	275.71
520106 *	Relay Kit, 20 Amp	161.65	194.24
RCS1 *	Spa Jets Switch, Wall Mount, Single Gang Plate	284.05	341.31
CRALX *	Adapter, 1 Relay Controlled By 2 Circuits	246.19	295.82

<b>EASYTOUCH CONTROL SYSTEMS REPLACEMENT PARTS</b>			
523434	ScreenLogic Wireless Connect Kit	CALL	CALL
520217	Antenna, EasyTouch Transceiver Module	96.94	116.48
520595	IntelliChlor Replacement Unions (Contains 2 O-Rings, 2 Couplers, 2 Nuts)	64.78	77.84
520655	Replacement Load Center Door (size), before change date 2011	CALL	CALL
520656	Load Center 150A 10 Circuit Breaker (size), before change date 2011	136.95	164.56
520651	Load Center, High Voltage Cover Panel (size), before change date 2011	205.51	246.94
520652	Indoor Control Panel Backplate with Connectors Attached	47.89	57.54
520660	Laptop Trainer	CALL	CALL
520653	Load Center System Transformer, before change date 2011	513.88	617.48

Part No.	Description	US List	Can. List
520657	Motherboard With 8 Aux Pool/Spa Combo	1637.82	1968.00
520659	Motherboard With 4 Aux Pool/Spa Combo	1089.60	1309.26
520711	Motherboard 8 Aux (Single Body)	1637.82	1968.00
520712	Motherboard 4 Aux (Single Body)	1089.60	1309.26
520722	Intellichlor System Transformer, before change date 2011	430.37	517.13
520723	IntelliChlor CG Board, before change date 2011	529.71	636.50
520724	IntelliChlor Cell/PCBA Power Cable For Intellichlor SCG Systems	165.55	198.92
520714Z	Fuse, CG IntelliChlor 10A Resettable Circuit Breaker, before change date 2011	49.90	59.96
8520031Z *	Fuse, Control 3A Resettable Circuit Breaker	67.41	81.00
8023304 *	4-Pin Com Port Connector	16.17	19.43
<b>LABELS</b>			
520658 *	Indoor Control (Qty. 10)	171.28	205.81
520658 *	Wireless Remote (Qty. 10)	171.28	205.81
520283 *	Outdoor Panel Labels (Qty.10)	239.31	287.55
521227	Replacement Load Center Door (size), before change date 2011	411.14	494.03
520658 *	Indoor Control Panel & Wireless Remote Features Label (Set Of 10)	171.28	205.81
520124	Quicktouch I Labels (Qty. 10), before change date 2011	135.47	162.78
<b>SCREW TERMINALS, CIRCUIT BOARD PLUG-IN TYPE, EASYTOUCH</b>			
8023302 *	Comport, 2 Position	13.51	16.23
8023304 *	Comport, 4 Position	16.17	19.43
8023306 *	Comport, 6 Position	27.09	32.55
8023308 *	Comport, 8 Position	33.90	40.73
8023310 *	Comport, 10 Position	39.72	47.73
8023312 *	Comport, 12 Position	43.29	52.02
<b>EASYTOUCH PL4/PSL4</b>			
522523	PL4 OCP replacement PCBA	CALL	CALL
522524	PSL4 OCP replacement PCBA	CALL	CALL
522525	PL4/PSL4 OCP replacement Control Panel bezel	CALL	CALL
522526	EasyTouch PL4/PSL4 Wireless remote replacement	CALL	CALL

\* Also parts for EasyTouch PL4/PLS4

**CALIFORNIA PROPOSITION 65 WARNING**

▲ **WARNING:** Cancer and Reproductive Harm.  
▲ **AVERTISSEMENT:** Peut Causer le Cancer et des Dommages au Système Reproducteur.  
▲ **ADVERTENCIA:** Cáncer y Daño Reproductivo.

[www.p65warnings.ca.gov](http://www.p65warnings.ca.gov)
P9,201714

# SUNTOUCH® AND SOLARTOUCH® CONTROL SYSTEMS REPLACEMENT PARTS

Part No.	Description	US List	Can. List
<b>SUNTOUCH CONTROL SYSTEMS REPLACEMENT PARTS</b>			
520940Z	SunTouch Solar Circuit Board	565.36	679.34
520645Z	SunTouch Pool/Spa Circuit Board	565.36	679.34
520941Z	SunTouch Single Body Circuit Board	565.36	679.34
520814Z	Kit Door Enclosure Small	165.62	199.01
520272	Water Temp Sensor 10k, ___ Length	120.73	145.07
520841Z	Kit SunTouch Transformer	222.70	267.60
522101	Solar Temperature Sensor (Black)	CALL	CALL

Part No.	Description	US List	Can. List
<b>SUNTOUCH CONTROL SYSTEMS REPLACEMENT PARTS (CONT'D)</b>			
520942Z	Circuit Breaker	51.39	61.75
<b>SOLARTOUCH CONTROL SYSTEMS REPLACEMENT PARTS</b>			
521605	Power Circuit Board Assembly (Bottom Of Enclosure)	471.54	566.60
521604	Control Panel Replacement Board Assembly (Bezel And Circuit Board)	376.27	452.13
521516	SolarTouch Door Replacement	66.62	80.05
522101	Solar TempSensor, 10k, ___ Length	CALL	CALL

CALIFORNIA PROPOSITION 65 WARNING  
 ⚠️ **WARNING:** Cancer and Reproductive Harm.  
 ⚠️ **AVERTISSEMENT:** Peut Causer le Cancer et des Dommages au Système Reproducteur.  
 ⚠️ **ADVERTENCIA:** Cáncer y Daño Reproductivo.  
[www.p65warnings.ca.gov](http://www.p65warnings.ca.gov) PR 201114

Product on pages 46–47.

## COMPOOL® CONTROL SYSTEM REPLACEMENT PARTS



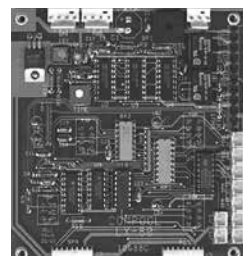
Part No.	Description	US List	Can. List
<b>CABLE CONNECTORS &amp; ADAPTORS</b>			
6CONDTEST	Test Cable, (6-Conductor)	18.73	22.51
520001	Adaptor 6-Conductor Flat To Multiple-Pair Cable	63.64	76.47
520008	Splice 26-22 AWG Weather-Proof (100 Qty Per Bag)	110.28	132.51
CON6	Connectors For 6-Conductor Flat Cable (4 Qty)	25.16	30.23
9987013	Crimping Tool 6 Pin RJ-11 Telephone-Type Connector	94.79	113.90
8761047	Cable, PC Board Harness, 2 Cond. Red/Black W/Plugs	18.08	21.72
<b>SCREW TERMINALS, CIRCUIT BOARD PLUG-IN TYPE, INTELLITOUCH</b>			
8023302	Comport, 2 Position	13.51	16.23
8023304	Comport, 4 Position	16.17	19.43
8023306	Comport, 6 Position	27.09	32.55
8023308	Comport, 8 Position	33.90	40.73
8023310	Comport, 10 Position	39.72	47.73
8023312	Comport, 12 Position	43.29	52.02
<b>BATTERIES, CIRCUIT BREAKERS, SURGE SUPPRESSORS</b>			
AI101	Surge Suppressor (115V)	618.34	743.00
AI201	Surge Suppressor (230V)	618.34	743.00
BAT3	Battery, 3-Volt Lithium	26.63	32.00
CB3	Circuit Breaker (3 Amp)	46.85	56.29
<b>FREEZE PROTECTION SENSORS (NOT FOR USE WITH CP3800 FAMILY)</b>			
FPSAUX	Auxiliary Pump Freeze Sensor	CALL	CALL
FPSC	Filter Pump Freeze Sensor	CALL	CALL
<b>EQUIPMENT IDENTIFICATION LABELS</b>			
LBL100	Label Set For CP100 Indoor Control Panel	CALL	CALL
520124	Label Set For QuickTouch Wireless Remote	135.47	162.78
520173	Label Set For is4 Spa-Side Remote	64.64	77.67
LBL3800	Label Set For Indoor Control Panel CP3800 Family	63.06	75.77

Product on page 45.

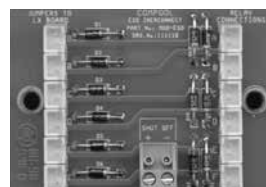
# COMPOOL® CONTROL SYSTEM REPLACEMENT PARTS (CONT'D)

Part No.	Description	US List	Can. List
<b>POWER CENTER HARDWARE (BLACK PLASTIC ENCLOSURE)</b>			
LXLATCH	Latch, For Door	94.64	113.72
LXLID2	Lid, Latching Enclosure	167.01	200.68
LXPIN	Hinge Pins For Interior Faceplate, Set Of 2	31.97	38.42
ENCLLX	Enclosure For Power Center	434.47	522.06
FKNOBG	Thermostat Knob	33.45	40.19
520006	Dead Panel, High Voltage	153.46	184.40
9541143	Enclosure - CP3** Cover/Base/Doors	38.69	46.49
<b>POWER CENTER (BLACK PLASTIC ENCLOSURE)</b>			
LX820	Emergency Shut-Off Controller/Power Center	CALL	CALL
<b>LOAD CENTER HARDWARE (ALMOND STEEL ENCLOSURE)</b>			
520005	Latch For Cover Enclosure-For Load Center	45.15	54.25
520006	Dead Panel, High Voltage	153.46	184.40
<b>CIRCUIT BOARDS FOR INDOOR CONTROL PANELS</b>			
PCCP100	Circuit Board For CP100 #11057	CALL	CALL
<b>CIRCUIT BOARDS FOR POWER CENTERS AND RF RECEIVERS</b>			
MODESO	Module For ESO-2 Emergency Shut-Off Switch #11111	479.10	575.69
PCLX80	Circuit Board For LX80 #10688	935.68	1124.31
PCLX820	Circuit Board For LX820 #10853	534.70	642.50
<b>RELAYS AND RELAY ACCESSORIES</b>			
RLYHTR	Heater Relay Repair Kit	229.45	275.71
RLYLX	Relay Kit, 20 Amp	203.69	244.75
RLYLX3HP	Additional 25 Amp, 3 HP Power Relay (For Auxiliary Equipment)	273.52	328.66
RLYLXD	Relay Kit For 2-Speed Pump	318.24	382.40
RLYNC	Relay Kit 20 Amp (DPDT) For Special Applications Only	203.69	244.75
RLYSC	Relay Kit For LX220 & LX820, 20 Amp	184.61	221.83
RLYSC3HP	25 Amp, 3 HP Power Relay For LX220 And LX820 Systems	256.41	308.10
RYALX	Adapter, 2 Relays Controlled By 1 Circuit	106.20	127.61
CRALX	Adapter, 1 Relay Controlled By 2 Circuits	246.19	295.82
520403	Dual Heater Relay Kit	299.92	360.38
<b>OUTDOOR REMOTES FOR CP3800 FAMILY OR SYSTEMS (FULL FUNCTION)</b>			
520345	is10 for CP3800 Family Includes 6Cond Adapter1	CALL	CALL
<b>SWITCHES</b>			
6010102	On/Off Switch for CP30 Remote Panel, 2 Position	67.91	81.60
6010103	On/Off/On Switch For CP30 Remote Panel, 3 Position	67.91	81.60
ESO2	Shut-Off Switch with Alarm, Double Gang Plate	534.70	642.50
RCS1	Spa Jets Switch, Wall Mount, Single Gang Plate	284.05	341.31

CALIFORNIA PROPOSITION 65 WARNING  
 ⚠️ **WARNING:** Cancer and Reproductive Harm.  
 ⚠️ **AVERTISSEMENT:** Peut Causer le Cancer et des Dommages au Système Reproducteur.  
 ⚠️ **ADVERTENCIA:** Cáncer y Daño Reproductivo.  
[www.p65warnings.ca.gov](http://www.p65warnings.ca.gov) PR30371A



PCLX80



MODESO



RLYLXD



RLYLX



ESO2



RLYHTR



RLYSC



# COMPOOL® CONTROL SYSTEM REPLACEMENT PARTS



6870002



TMRLX



XFM1BK



XFM3BK



XFM20

CALIFORNIA PROPOSITION 65 WARNING  
 ⚠️ WARNING: Cancer and Reproductive Harm.  
 ⚠️ AVERTISSEMENT: Peut Causer le Cancer et des Dommages au Système Reproducteur.  
 ⚠️ ADVERTENCIA: Cáncer y Daño Reproductivo.  
[www.p65warnings.ca.gov](http://www.p65warnings.ca.gov) PR 2017-14

Part No.	Description	US List	Can. List
<b>SPA-SIDE AND WIRELESS REMOTES</b>			
520173	Label Set, Pack Of 10 For is4 Spa-Side Remote	64.64	77.67
520124	Label Set, Pack Of 10 For QuickTouch Wireless	135.47	162.78
<b>TELEPHONE REMOTE CONTROL (FOR CP3800 FAMILY)</b>			
6870002	Module For Telephone Remote Control	CALL	CALL
<b>TIMERS</b>			
TMRLX	Timer, 24 Hour Mechanical	222.71	267.61
<b>TEMPERATURE SENSORS</b>			
TS5L	Temp Sensor Linear (Red & Green Wires) Compool	132.97	159.78
520272	Water Temp Sensor 10k, ___ Length	120.73	145.07
9142109	O-Ring, 5/16 In. for Temperature Sensor	6.40	7.69
9321004	Clamp for Water Temperature Sensor	CALL	CALL
<b>VALVE ACTUATORS AND PARTS</b>			
263045	CVA-24T Valve Actuator, 24 Volt AC, 180 Degree Rotation	CALL	CALL
263044	CVA-24Y Valve Actuator, 24 Volt AC, 120 Degree Rotation	CALL	CALL
263043	CVA-24L Valve Actuator, 24 Volt AC, 90 Degree Rotation	CALL	CALL
270078	Circuit Board w/Selector Switch	135.40	162.70
270077	Gear Set for CVA-24; Set Of 3	84.81	101.91
4231033	Motor For CVA-24	320.77	385.44
CVASCR	Mounting Screws (4) For CVA-24 To Compool Valve	26.63	32.00
CVASCRJ	Mounting Screws (4) For CVA-24 To Pacfab Valve	26.63	32.00
520010Z	Micro-Switch Set (2) With Levers & Screws For CVA-24	122.71	147.45
SK5V	Shaft Coupling CVA-24 To Ortega Valve	71.54	85.96
OVA2	Adapter Kit, CVA-24T To Ortega Valve, 2 In.	154.79	186.00
<b>TRANSFORMERS</b>			
XFM1BK	Transformer Assembly For LX20, LX30, LX36 & LX80	381.98	458.99
XFM3BK	Transformer Assembly For CP3800 Family	381.98	458.99
XFM20	Transformer Assembly For LX120, LX220, LX420 & LX820	200.51	240.93

## SPACOMMAND® SPA-SIDE REMOTE REPLACEMENT PARTS



521500

521501

521502

Part No.	Description	US List	Can. List
<b>SPACOMMAND SPA-SIDE REMOTE</b>			
521500	SpaCommand Replacement Plastics Kit	98.60	118.48
521501	SpaCommand Replacement 150 Ft. Cable	202.36	243.16
521502	SpaCommand Replacement 250 Ft. Cable	306.16	367.88
521852	SpaCommand Replacement Control Only (White)	1405.90	1689.33
521853	SpaCommand Replacement Control Only (Black)	1405.90	1689.33
<b>SPACOMMAND LABELS</b>			
521503	SpaCommand Labels White (Qty. 1)	150.48	180.82
521504	SpaCommand Labels Black (Qty. 1)	150.48	180.82
522500	SpaCommand Labels White (Qty. 5)	CALL	CALL
522501	SpaCommand Labels Black (Qty. 5)	CALL	CALL

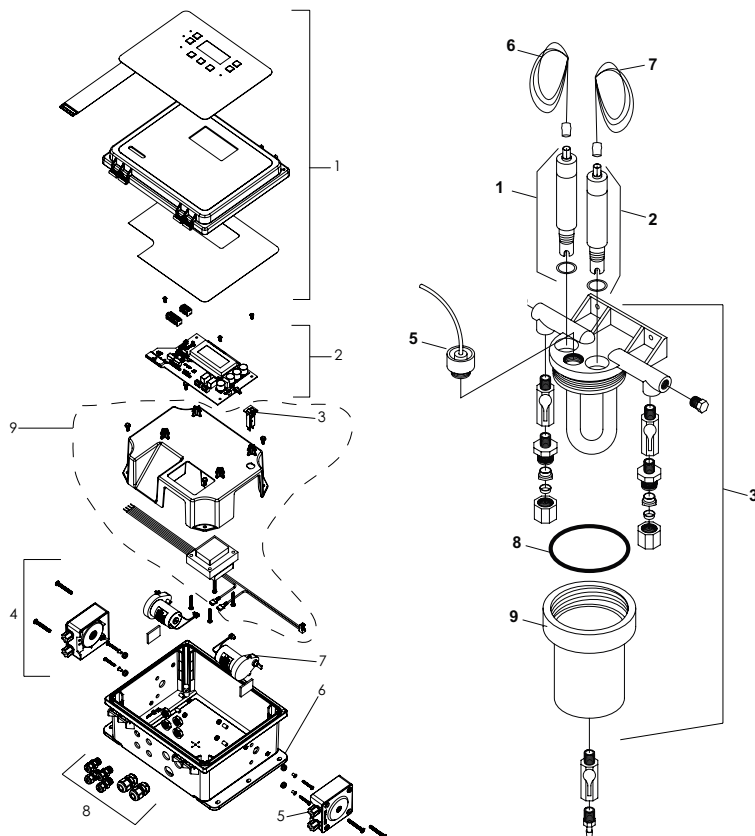
Product on page 45.

# INTELLICHEM® CHEMICAL CONTROLLER REPLACEMENT PARTS

Item	Part No.	Description	US List	Can. List
<b>INTELLICHEM CONTROLLER REPLACEMENT PARTS</b>				
1	521465Z	Top Half (Lid with overlay and wiring diagram)	477.88	574.22
2	521319Z	Controller PCBA	1032.66	1240.84
3	8520031Z	Circuit Breaker	67.41	81.00
4	521348Z	SHURflo Pumphead (prior to 2012)	103.73	124.64
5	521466Z	Jaco® Fitting for SHURflo Pumphead	57.88	69.55
6	521467Z	Controller Mounting Brackets	72.33	86.91
7	521338Z	Motor for SHURflo Pumphead (prior to 2012)	306.16	367.88
8	521468Z	Strain Relief Kit	114.17	137.19
9	521335Z	Transformer with Mounting Plate	333.08	400.23
<b>INTELLICHEM FLOW CELL REPLACEMENT PARTS</b>				
1	522186	pH Sensor (1-year warranty)	220.89	265.42
2	522187	ORP Sensor (1-year warranty)	311.10	373.82
3	754000310	Flow Cell with Flow Switch	CALL	CALL
	521342Z	Parts Bag	409.94	492.58
5	754000440	Flow Switch with Magnet	CALL	CALL
	754000410	Magnet for Flow Switch	CALL	CALL
6	744000290	Cable for pH Sensor, 3 ft.	CALL	CALL
7	744000360	Cable for ORP Sensor 3 ft.	CALL	CALL
8	754000350	O-Ring for Flow Jar	CALL	CALL
9	754000340	Jar for Flow Cell	CALL	CALL

Item	Part No.	Description	US List	Can. List
<b>OPTIONAL ACCESSORIES</b>				
	521814	3/8" Black Tubing, 20 Ft.	CALL	CALL
	744000280	Cable, pH Sensor, 10 Ft.	CALL	CALL
	744000350	Cable, ORP Sensor, 10 Ft.	CALL	CALL
	755000350	3/8" Black Tubing 100 ft.	CALL	CALL
	522010Z	Inline Filter	33.58	40.35
	606000100Z	Fitting 3/8" Tube x 1/4" NPT	6.88	8.27
	620000040Z	Plug 1/4" NPT	2.98	3.58
	620000130Z	Nipple 1/4" NPT	2.98	3.58
	622000080Z	Ball Valve 1/4" NPT	38.79	46.61
	R172032Z	Fitting 3/8" Tube to Bypass Clamp	8.81	10.59
	R172033Z	Rubber Gasket for Bypass Clamp	3.79	4.55
	R172036Z	O-Ring Lubricant	14.55	17.48
	522347Z	Bypass Clamp (replaces R172034)	44.10	52.99

\*Pentair recommends replacing peristaltic pump tubes every 6 months

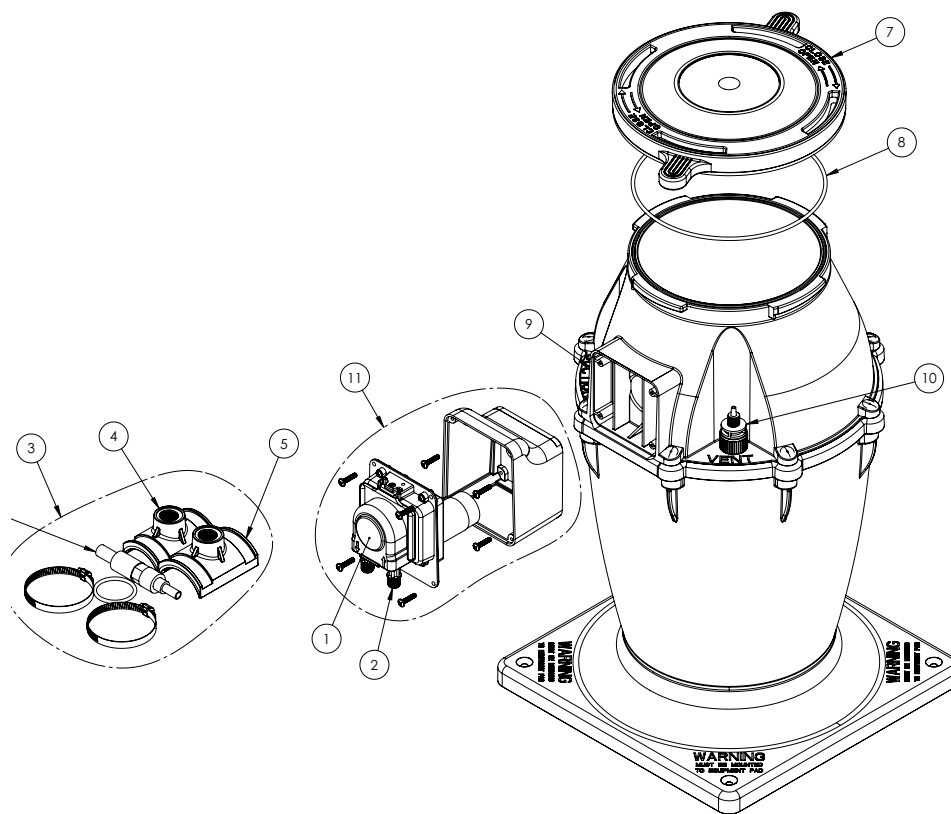


CALIFORNIA PROPOSITION 65 WARNING

⚠️ **WARNING:** Cancer and Reproductive Harm.  
 ⚠️ **AVERTISSEMENT:** Peut Causer le Cancer et des Dommages au Système Reproducteur.  
 ⚠️ **ADVERTENCIA:** Cáncer y Daño Reproductivo.

[www.p65warnings.ca.gov](http://www.p65warnings.ca.gov)
PH000164

# INTELLICHEM® CHEMICAL TANK REPLACEMENT PARTS

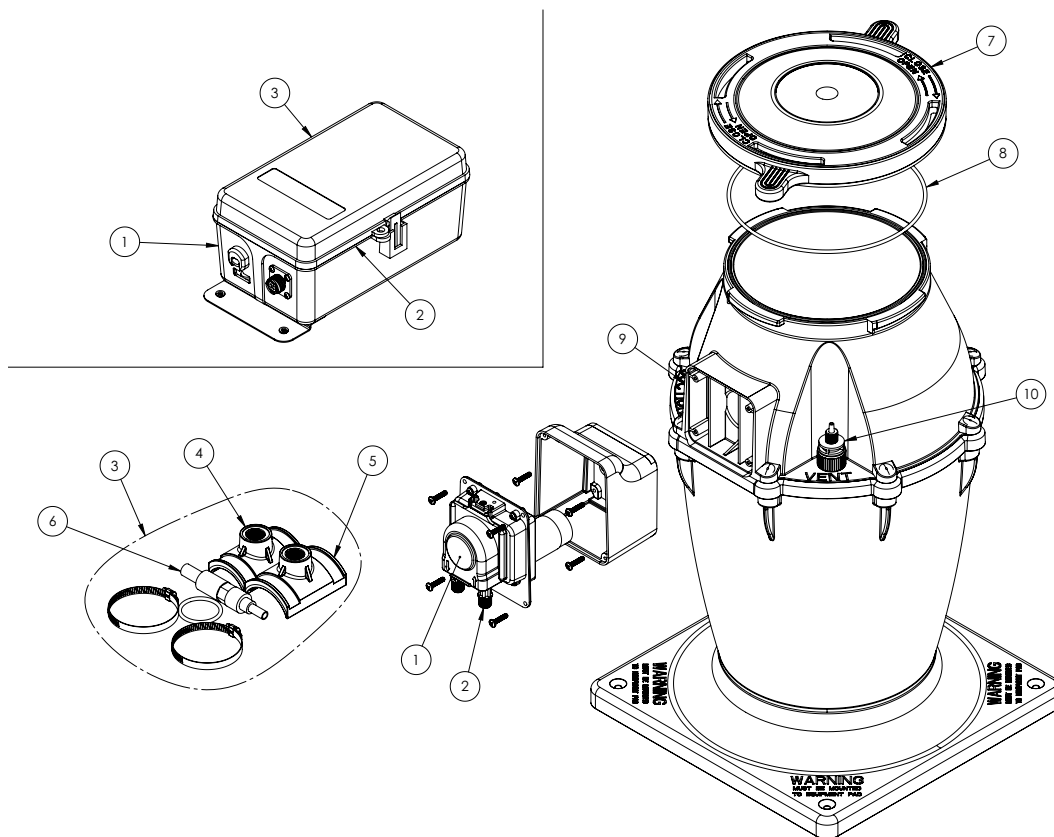


Item	Part No.	Description	US List	Can. List
<b>INTELLICHEM REPLACEMENT CHEMICAL CONTAINER</b>				
	522472	Acid Tank with Tank Mounted Pump for IntelliChem	CALL	CALL
	522473	Chlorine Tank with Tank Mounted Pump for IntelliChem	CALL	CALL
	521378	Acid Container for IntelliChem (Requires Separate Pump)	CALL	CALL
	521397	Chlorine Container for IntelliChem (Requires Separate Pump)	CALL	CALL
<b>INTELLICHEM CHEMICAL CONTAINER REPLACEMENT PARTS</b>				
	522384	1/4" Black Tubing for Chemical Injection with Labels, 20 Ft.	CALL	CALL
	522446	1/4" Black Tubing for Chemical Injection with Labels, 100 Ft.	CALL	CALL
1	522386	Repair Kit for Tank Mounted Pump	172.16	206.87
2	522480	Pump Tubes for Tank Mounted Pump, 2 Pk.	83.89	100.80

Item	Part No.	Description	US List	Can. List
<b>INTELLICHEM CHEMICAL CONTAINER REPLACEMENT PARTS CONT'D.</b>				
3	521895	Kit IPH RPLC ACC Bag (Includes ball, spring, saddle clamp parts)	CALL	CALL
4	521511	Saddle Clamp for 1- 1/2" Pipe (Requires Check Valve)	61.88	74.36
5	521512	Saddle clamp for 2" Pipe (Requires Check Valve)	71.39	85.78
6	522513Z	Injection Check Valve	48.52	58.30
7	521505	Lid for Acid Container	100.00	120.16
7	521506	Lid for Chlorine Container	100.00	120.16
8	521507	O-Ring for Container Lid, 5-Pk.	119.05	143.05
9	521508	Suction Fitting, Black	47.58	57.17
10	521509	Vent Fitting, Grey	52.34	62.89
11	522478Z	Upgrade Kit for IntelliChem Motor Driver Tank Pump PCBA	81.93	98.45
	522474	Upgrade Kit for IntelliChem Tank Pump	CALL	CALL

CALIFORNIA PROPOSITION 65 WARNING  
 ⚠️ **WARNING:** Cancer and Reproductive Harm.  
 ⚠️ **AVERTISSEMENT:** Peut Causer le Cancer et des Dommages au Système Reproducteur.  
 ⚠️ **ADVERTENCIA:** Cáncer y Daño Reproductivo.  
[www.p65warnings.ca.gov](http://www.p65warnings.ca.gov) P/N 201714

# INTELLIPH® CONTROLLER REPLACEMENT PARTS



Item	Part No.	Description	US List	Can. List
<b>INTELLIPH CONTROLLER REPLACEMENT PARTS</b>				
1	522711	IntellipH Controller Unit	586.29	704.49
2	521513	Faceplate and PCBA	614.40	738.26
3	521516	Door for Controller	66.62	80.05
<b>REPLACEMENT CHEMICAL CONTAINER</b>				
	522712	IntellipH Container	923.72	1109.94
<b>CHEMICAL CONTAINER REPLACEMENT PARTS</b>				
	522384	1/4" Black Tubing for Chemical Injection with Labels, 20 Ft.	CALL	CALL
	522446	1/4" Black Tubing for Chemical Injection with Labels, 100 Ft.	CALL	CALL
1	522386	Repair Kit for Tank Mounted Pump	172.16	206.87
2	522480	Pump Tubes for Tank Mounted Pump, 2 Pk.	83.89	100.80

Item	Part No.	Description	US List	Can. List
<b>CHEMICAL CONTAINER REPLACEMENT PARTS CONT'D.</b>				
3	521895	Kit IPH RPLC ACC Bag (Includes ball, spring, saddle clamp parts)	CALL	CALL
4	521511	Saddle Clamp for 1- 1/2" Pipe (Requires Check Valve)	61.88	74.36
5	521512	Saddle clamp for 2" Pipe (Requires Check Valve)	71.39	85.78
6	522513Z	Injection Check Valve	48.52	58.30
7	521505	Lid for Acid Container	100.00	120.16
8	521507	O-Ring for Container Lid, 5-Pk.	119.05	143.05
9	521508	Suction Fitting, Black	47.58	57.17
10	521509	Vent Fitting, Grey	52.34	62.89
	521514	Stenner Pumphead for IntellipH	95.23	114.43
	521515	Upgrade Kit for IntellipH Stenner Pump Head Mtr Assy	376.27	452.13

CALIFORNIA PROPOSITION 65 WARNING

⚠ **WARNING:** Cancer and Reproductive Harm.  
 ⚠ **AVERTISSEMENT:** Peut Causer le Cancer et des Dommages au Système Reproducteur.  
 ⚠ **ADVERTENCIA:** Cáncer y Daño Reproductivo.

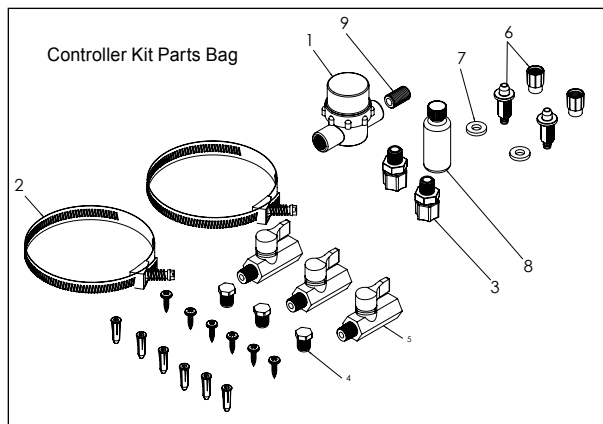
www.p65warnings.ca.gov. P650014A

# COMMERCIAL INTELLICHEM® CHEMICAL CONTROLLER REPLACEMENT PARTS

Item	Part No.	Description	US List	Can. List
<b>INTELLICHEM CONTROLLER REPLACEMENT PARTS</b>				
1	523146	Top Half (Lid w/overlay and wiring diagram)	492.09	591.30
2	523004Z	Controller Circuit Board	872.47	1048.36
2	523533Z	LCD Display	CALL	CALL
3	8520031Z	Circuit Breaker	67.41	81.00
	523228	Protocol Adapter	CALL	CALL
	523117	Transceiver Case	90.93	109.26
4	521467Z	Enclosure Mounting Brackets	72.33	86.91
5	521468Z	Strain Relief Kit	114.17	137.19
6	521335Z	Transformer with Mounting Plate	333.08	400.23

Item	Part No.	Description	US List	Can. List
<b>INTELLICHEM FLOW CELL REPLACEMENT PARTS</b>				
1	522186	pH Sensor (1-year warranty)	220.89	265.42
2	522187	ORP Sensor (1-year warranty)	311.10	373.82
3	754000310	Flow Cell with Flow Switch	CALL	CALL
4	521342Z	Parts Bag	409.94	492.58
5	754000440	Flow Switch with Magnet	CALL	CALL
	754000410	Magnet for Flow Switch	CALL	CALL
	522623	External Flow Switch Kit, 3ft.	CALL	CALL
	522624	External Flow Switch Kit, 10ft.	CALL	CALL
6	744000290	Cable for pH Sensor, 3 ft.	CALL	CALL
7	744000360	Cable for ORP Sensor 3 ft.	CALL	CALL
8	754000350	O-Ring for Flow Jar	CALL	CALL
9	754000340	Jar for Flow Cell	CALL	CALL

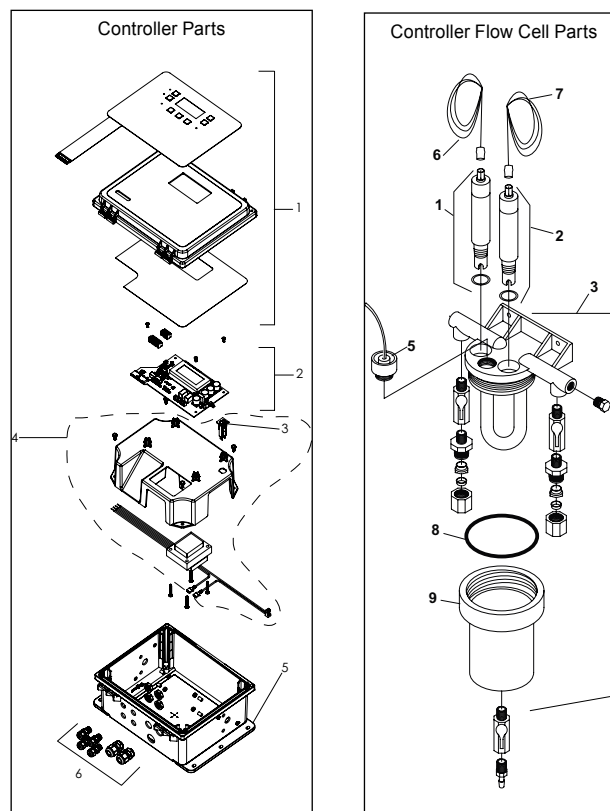
Item	Part No.	Description	US List	Can. List
<b>CONTROLLER KIT PARTS BAG CONTENTS</b>				
1	522010Z	Inline Filter	33.58	40.35
2	522347Z	Bypass Clamp (replaces R172034)	44.10	52.99
3	606000100Z	Fitting 3/8" Tube x 1/4" NPT	6.88	8.27
4	620000040Z	Plug 1/4" NPT	2.98	3.58
5	622000080Z	Ball Valve 1/4" NPT	38.79	46.61
6	R172032Z	Fitting 3/8" Tube to Bypass Clamp	8.81	10.59
7	R172033Z	Rubber Gasket for Bypass Clamp	3.79	4.55
8	R172036Z	O-Ring Lubricant	14.55	17.48
9	620000130Z	Nipple 1/4" NPT	2.98	3.58



Item	Part No.	Description	US List	Can. List
<b>OPTIONAL ACCESSORIES</b>				
	523492Z	Stenner 50 GPD External Pump	CALL	CALL
	523493	Stenner Pump Tube - 2 Pack	81.92	98.44
	523494	Stenner Pump Tube - 5 Pack	181.11	217.62
	522384	20 ft - 1/4 in Black Tubing for Chemical Injection with Labels	CALL	CALL
	522446	100 ft - 1/4 in Black Tubing for Chemical Injection with Labels	CALL	CALL
	714000070	CO2 Kit with Diffuser, Solenoid, Regulator	1609.11	1933.51
	521622	IntelliChem Winterizing Kit	CALL	CALL
	522009	Injection Kit (Injection Check Valve)	CALL	CALL
	521511	Saddle Clamp for 1-1/2-in Pipe (Required Check Valve)	61.88	74.36
	521512	Saddle Clamp for 2-in Pipe (Required Check Valve)	71.39	85.78

Item	Part No.	Description	US List	Can. List
<b>INTELLICHEM TITLE-22 REPLACEMENT PARTS</b>				
	523537Z	Upgrade Kit	296.31	356.05
	523470Z	Daughter Circuit Board	318.35	382.53
	523525Z	Controller Circuit Board	CALL	CALL

\*Pentair recommends replacing peristaltic pump tubes every 6 months



CALIFORNIA PROPOSITION 65 WARNING

⚠️ **WARNING:** Cancer and Reproductive Harm.  
 ⚠️ **AVERTISSEMENT:** Peut Causer le Cancer et des Dommages au Système Reproducteur.  
 ⚠️ **ADVERTENCIA:** Cáncer y Daño Reproductivo.

www.p65warnings.ca.gov. PH 202174A

