



HEATERS & HEAT PUMPS PARTS

Product Catalog 2023

HEATER MASTER KITS

REPLACEMENT PARTS



| Part No. | Description | Qty. | US List | Can. List |
|--------------------------------|--------------------------------|---------------------------------------------------------------------|---------|-----------|
| HEATER MASTER KIT - ALL | | | | |
| 461100 | HEATER MASTER KIT - ALL | | CALL | CALL |
| Included in Kit | 32850-0099 | "Fireman's Switch Fuse (1.25 amps)" | 3 | |
| | U9-226Z | ORNG #2-226 70 DURO BUNA | 2 | |
| | 472610Z | Membrane Pad (NA, LP Series) | 1 | |
| | 476223 | Ignition Control Module | 1 | |
| | 42001-0053S | Thermistor | 2 | |
| | 42001-0060S | Water Pressure Switch | 1 | |
| | 42001-0061S | Air Flow Switch | 1 | |
| | 42001-0063S | High Limit Switch | 2 | |
| | 42001-0107S | Transformer, 115/230V | 1 | |
| | 461105 | Control Board Kit (NA, LP Series) | 1 | |
| | 42002-0024S | Stack Flue Sensor | 1 | |
| | 42002-0025S | Automatic Gas Shutoff Switch (AGS) | 2 | |
| | 77707-0001 | Manifold Bypass Valve Kit | 1 | |
| | 77707-0010 | "Thermal Regulator Kit (Incl. Spring, O-ring, Cap and Spring Clip)" | 1 | |
| | 77707-0054 | Igniter/Igniter Gasket Kit | 1 | |



| HEATER MASTER KIT - ELECTRICAL | | | | |
|---------------------------------------|---------------------------------------|-------------------------------------|------|------|
| 461101 | HEATER MASTER KIT - ELECTRICAL | | CALL | CALL |
| Included in Kit | 32850-0099 | "Fireman's Switch Fuse (1.25 amps)" | 3 | |
| | 42001-0053S | Thermistor | 2 | |
| | 42001-0060S | Water Pressure Switch | 1 | |
| | 42001-0061S | Air Flow Switch | 1 | |
| | 42001-0063S | High Limit Switch | 2 | |
| | 42002-0024S | Stack Flue Sensor | 1 | |
| | 42002-0025S | Automatic Gas Shutoff Switch (AGS) | 2 | |
| | 77707-0054 | Igniter/Igniter Gasket Kit | 1 | |



| HEATER MASTER KIT - WATER | | | | |
|----------------------------------|----------------------------------|---------------------------------------------------------------------|------|------|
| 461102 | HEATER MASTER KIT - WATER | | CALL | CALL |
| Included in Kit | 42001-0053S | Thermistor | 2 | |
| | 42001-0060S | Water Pressure Switch | 1 | |
| | 42001-0063S | High Limit Switch | 2 | |
| | 42002-0025S | Automatic Gas Shutoff Switch (AGS) | 2 | |
| | 77707-0001 | Manifold Bypass Valve Kit | 1 | |
| | 77707-0010 | "Thermal Regulator Kit (Incl. Spring, O-ring, Cap and Spring Clip)" | 1 | |

Compatible with Pentair MasterTemp® High Performance Heaters,
Sta-Rite Max-E-Therm® High Performance Heaters, Models 175/200/250/300/333/400.

Not compatible with 125,000 BTU heater.




Save money by purchasing commonly used replacement parts in one handy, reusable hard case.
Conveniently refill by ordering individual parts.

ETi® 400 HEATER

REPLACEMENT PARTS

| Item | Part No. | Description | US List | Can. List | Item | Part No. | Description | US List | Can. List |
|---------------|-------------|------------------------------------|---------|-----------|------|-------------|-----------------------------------|---------|-----------|
| SYSTEM | | | | | | | | | |
| 1 | 475978 | Fan Control Board | 214.85 | 258.16 | 35 | 475622 | Vent Socket | 126.36 | 151.83 |
| 2 | 475984 | Membrane Pad | 111.68 | 134.19 | 36 | 475623 | TitanTough Heat Exchanger | 6695.37 | 8045.16 |
| 3 | 475985 | AGS 150 degree F | 85.93 | 103.25 | 37 | 475624 | Burner | CALL | CALL |
| 4 | 475987 | Air Pressure Switch | 124.60 | 149.72 | 38 | 476000 | Combustion Blower Replacement Kit | 379.16 | 455.60 |
| 5 | 475996 | Wire Harness | 505.60 | 607.53 | 39 | 476001 | Gas Control Valve Replacement Kit | CALL | CALL |
| 6 | 475998 | Thermal Fuse (white) | 107.38 | 129.03 | 40 | 38404-4097S | 3/4 in. Union | 54.36 | 65.32 |
| 7 | 475601 | Stack Flue Sensor (blue) | 94.51 | 113.56 | 41 | 42001-0063S | High Limit Switch | 94.51 | 113.56 |
| 8 | 476081Z | Gas Engine Spark Electrodes | 195.73 | 235.19 | 42 | U178-920PZ | Drain Plug | 7.57 | 9.10 |
| 9 | 475982 | Spark Electrodes Cables | 184.78 | 222.03 | 43 | 476002 | Manifold | 543.55 | 653.13 |
| 10 | 475980 | Condensate Assembly/ Float Switch | 343.76 | 413.06 | 44 | 476003 | Manifold-Enclosure Fasteners | 168.50 | 202.47 |
| 11 | 475615 | HX and Chimney Gaskets | 859.53 | 1032.81 | 45 | 476004 | Hold Down Bracket Kit | 84.23 | 101.21 |
| 12 | 475606 | Heat Exchanger Screws | 107.38 | 129.03 | 46 | 476072 | Propane Gas Orifice Kit | 171.87 | 206.52 |
| 13 | 475979 | Assembly, Plug 120/240V | 85.93 | 103.25 | 47 | 475975 | Control Board | 257.84 | 309.82 |
| 14 | 475603 | Tridicator | 128.90 | 154.89 | 48 | 475976 | Ignition Control Module | 343.76 | 413.06 |
| 15 | 475604 | Gas and Air orifices (natural gas) | 68.73 | 82.59 | 49 | 462023 | Flame Sensor | CALL | CALL |
| 16 | 475973 | Heater Gasket Kit | 386.75 | 464.72 | 50 | 476059 | Burner Assembly | CALL | CALL |
| 17 | 475971 | Air Intake Kit | 339.50 | 407.94 | 51 | 476101 | Base Door Gas Side | 235.92 | 283.48 |
| 18 | 475608 | Gas Side Panel | 210.65 | 253.12 | 52 | 476102 | Base Door Control Side | 235.92 | 283.48 |
| 19 | 475609 | Water Manifold Panel | 126.36 | 151.83 | 53 | 476106 | Kit Heat Exchanger Union Adapters | 379.16 | 455.60 |
| 20 | 475610 | Control Board Panel | 235.92 | 283.48 | | | | | |
| 21 | 475611 | Latch Assembly | 105.29 | 126.52 | | | | | |
| 22 | 475612 | Condensate Neutralizer Kit | 375.02 | 450.62 | | | | | |
| 23 | 475613 | Inlet Plumbing Assembly | 716.26 | 860.66 | | | | | |
| 24 | 475614 | Outlet Plumbing Assembly | 547.72 | 658.14 | | | | | |
| 25 | 475617 | Exhaust Assembly | 122.16 | 146.79 | | | | | |
| 26 | 42001-0056S | Terminal Board | 81.55 | 97.99 | | | | | |
| 27 | 32850-0099 | Fireman's Switch Fuse (1.25 amps) | 11.40 | 13.70 | | | | | |
| 28 | 42001-0053S | Thermistor, Water Sensor | 120.72 | 145.06 | | | | | |
| 29 | 42001-0060S | Water Pressure Switch | 124.75 | 149.90 | | | | | |
| 30 | 42001-0107S | Dual Voltage Transformer | 103.09 | 123.87 | | | | | |
| 31 | 475618 | Pressure Relief Valve | 210.65 | 253.12 | | | | | |
| 32 | 475619 | Control Cover | 42.11 | 50.60 | | | | | |
| 33 | 475620 | Vent Cap Exhaust | 16.80 | 20.19 | | | | | |
| 34 | 475621 | Water Bypass Assembly | 54.73 | 65.76 | | | | | |

CALIFORNIA PROPOSITION 65 WARNING

 **WARNING:** Cancer and Reproductive Harm.
 **AVERTISSEMENT:** Peut Causer le Cancer et des Dommages au Système Reproducteur.
 **ADVERTENCIA:** Cáncer y Daño Reproductivo.
www.p65warnings.ca.gov

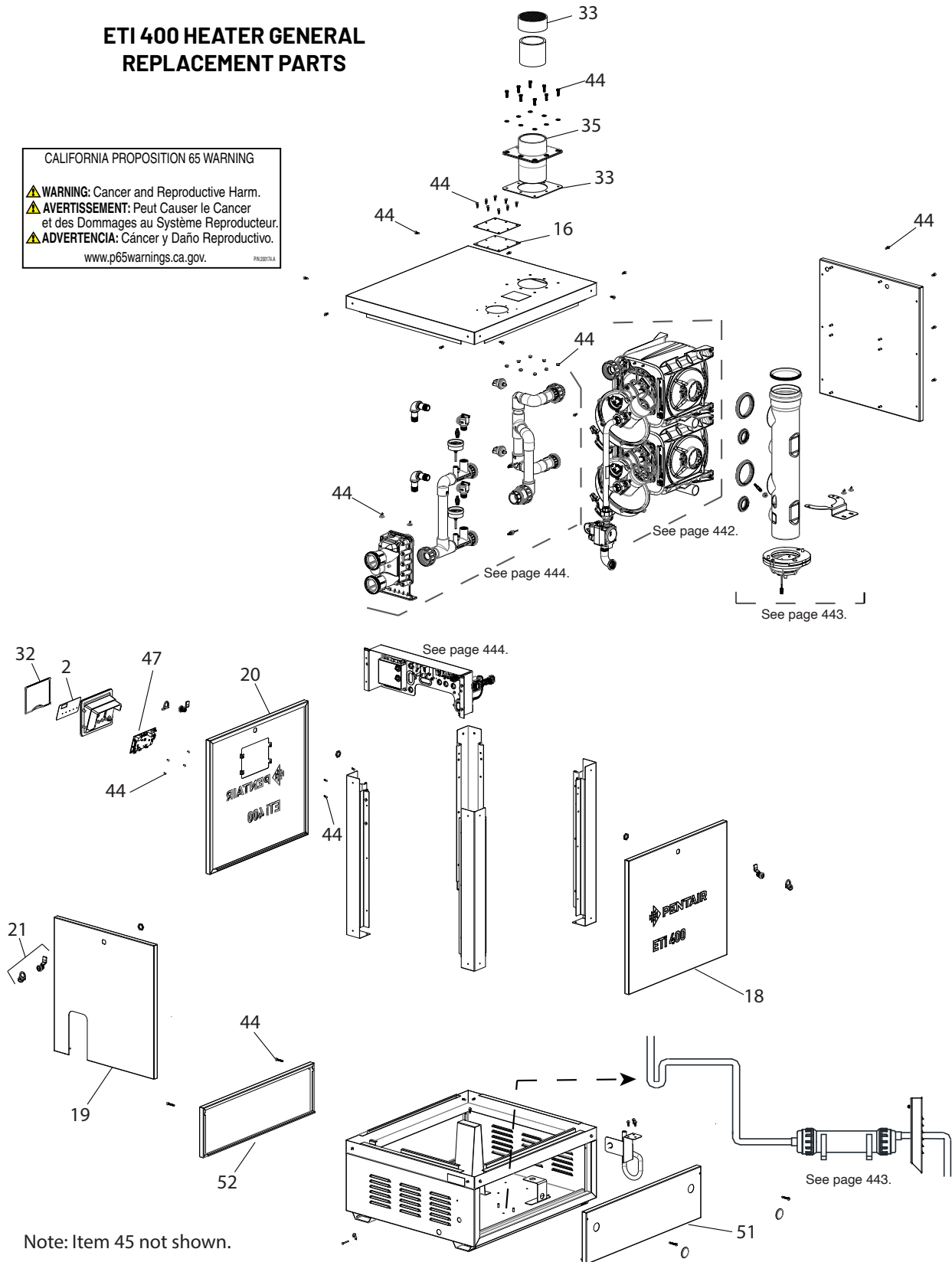
PA12071A

ETi[®] 400 HEATER (CONT'D)

REPLACEMENT PARTS

ETI 400 HEATER GENERAL REPLACEMENT PARTS

CALIFORNIA PROPOSITION 65 WARNING
⚠️ WARNING: Cancer and Reproductive Harm.
⚠️ AVERTISSEMENT: Peut Causer le Cancer et des Dommages au Système Reproducteur.
⚠️ ADVERTENCIA: Cáncer y Daño Reproductivo.
www.p65warnings.ca.gov



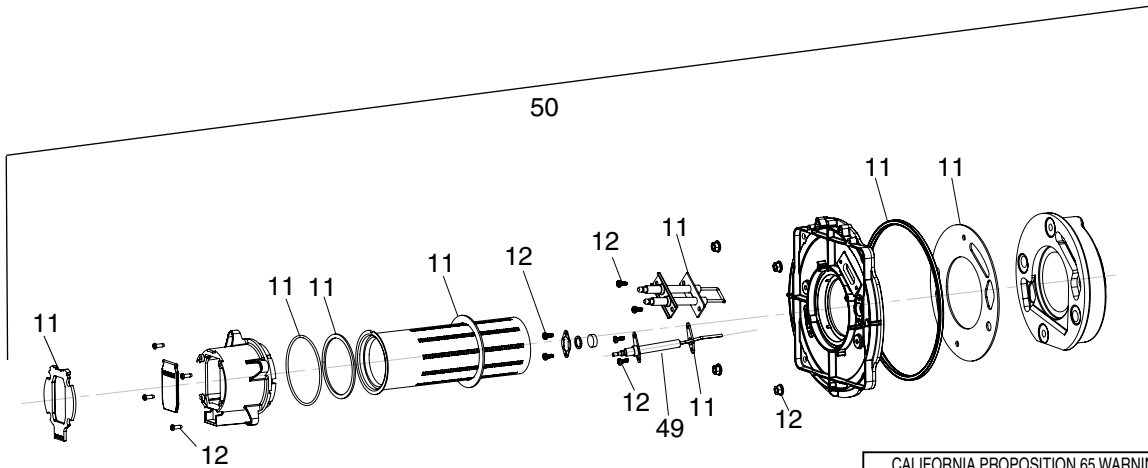
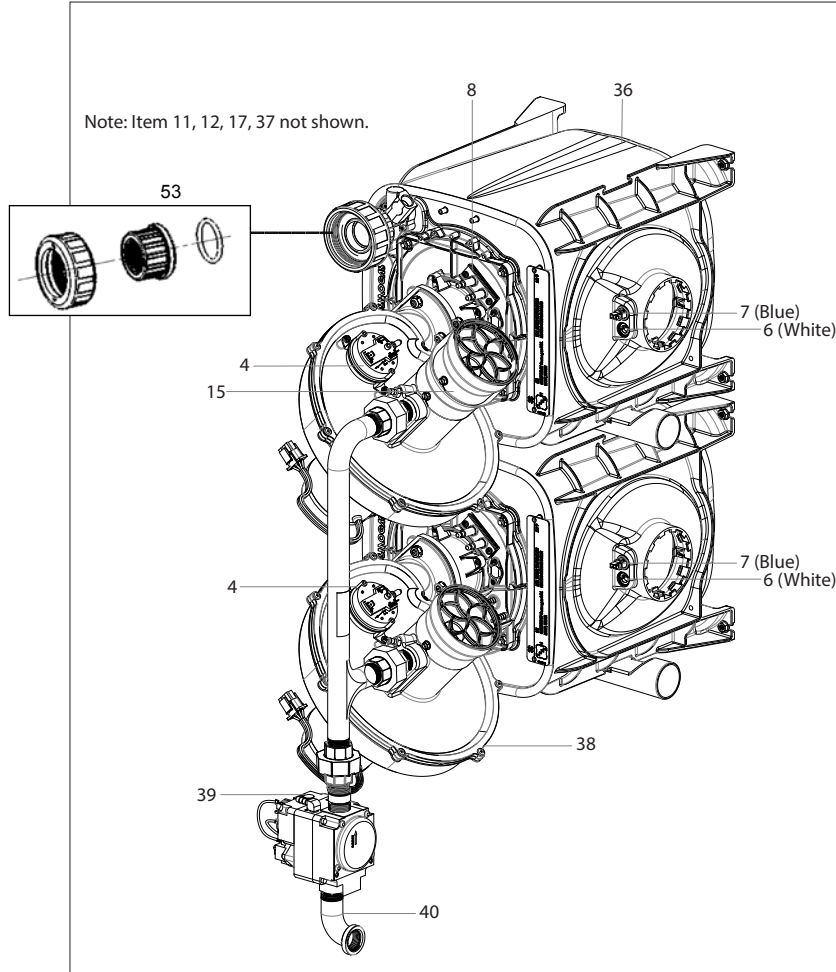
Note: Item 45 not shown.

Product on page 100–101.

ETi® 400 HEATER (CONT'D)

REPLACEMENT PARTS

BURNER SYSTEM REPLACEMENT PARTS



CALIFORNIA PROPOSITION 65 WARNING

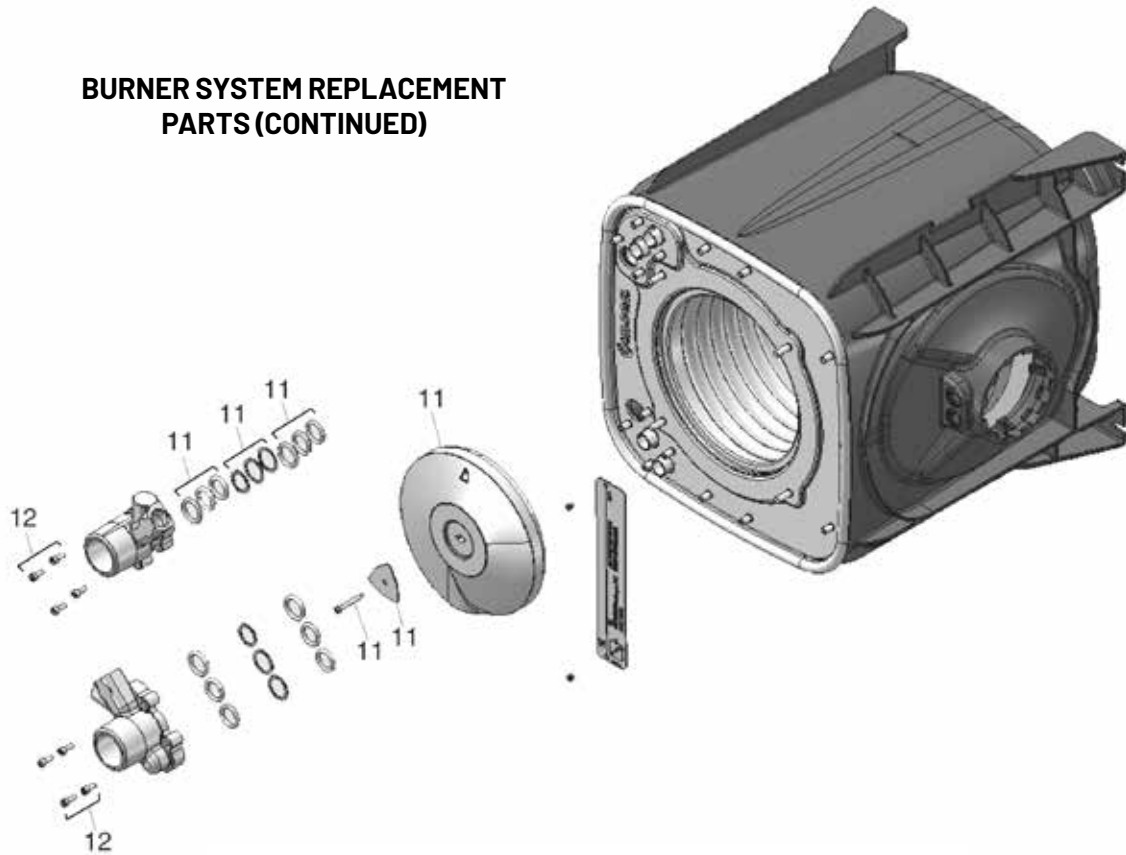
⚠ WARNING: Cancer and Reproductive Harm.
 ⚠ AVERTISSEMENT: Peut Causer le Cancer
 et des Dommages au Système Reproducteur.
 ⚠ ADVERTENCIA: Cáncer y Daño Reproductivo.

www.p65warnings.ca.gov. PH201714

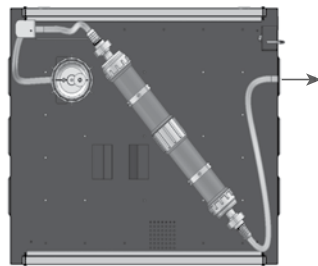
ETi® 400 HEATER (CONT'D)

REPLACEMENT PARTS

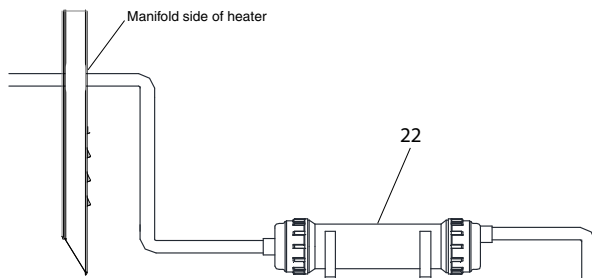
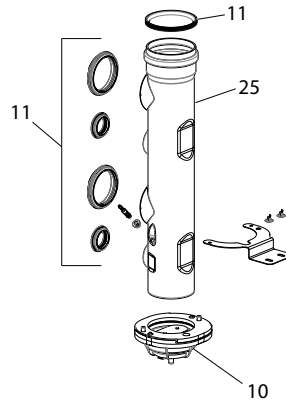
BURNER SYSTEM REPLACEMENT PARTS (CONTINUED)



ETI 400 HEATER CONDENSATE ASSEMBLY REPLACEMENT PARTS



Condensate Neutralizer Cartridge (Optional, P/N 475612 sold separately). The cartridge may be mounted to the base of the heater for an outdoor installation.



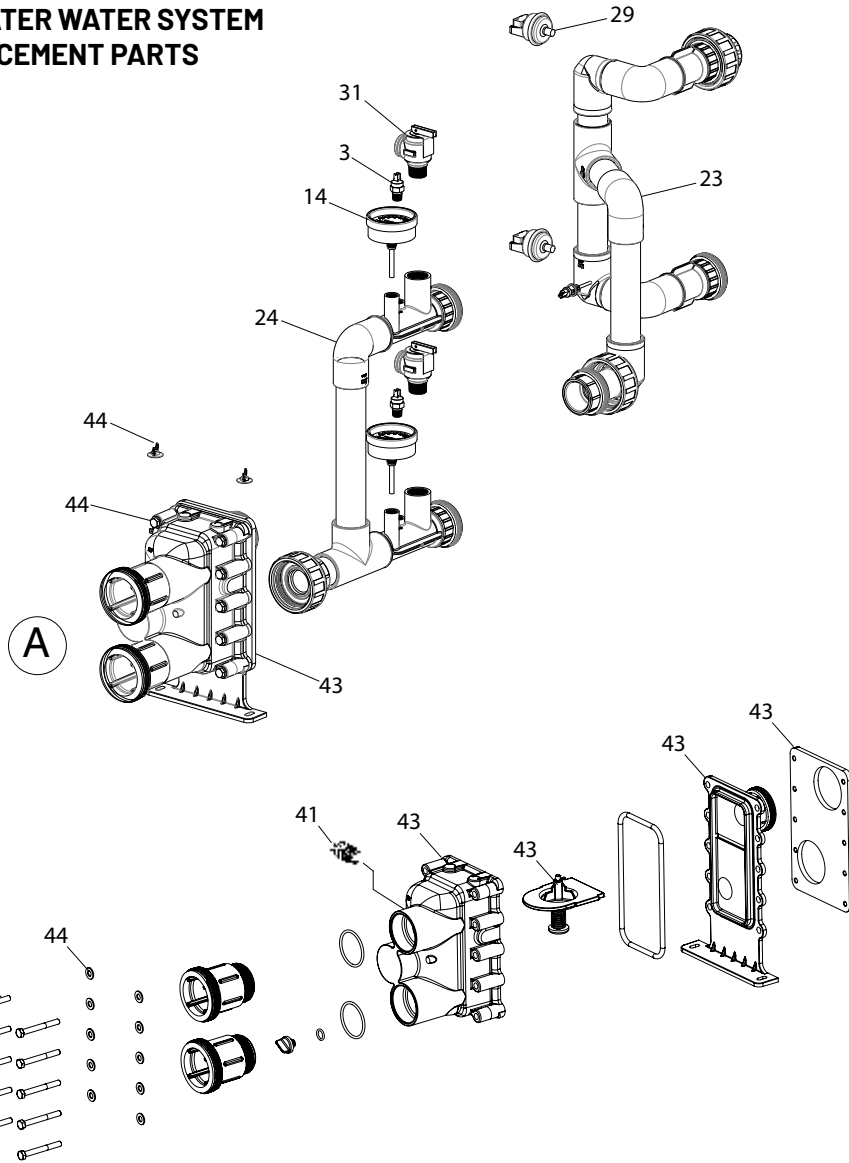
Condensate Neutralizer Cartridge (Optional, P/N 475612 sold separately). The cartridge may be mounted external to the heater for an indoor installation.

CALIFORNIA PROPOSITION 65 WARNING
 ⚠️ **WARNING:** Cancer and Reproductive Harm.
 ⚠️ **AVERTISSEMENT:** Peut Causer le Cancer et des Dommages au Système Reproducteur.
 ⚠️ **ADVERTENCIA:** Cáncer y Daño Reproductivo.
www.p65warnings.ca.gov

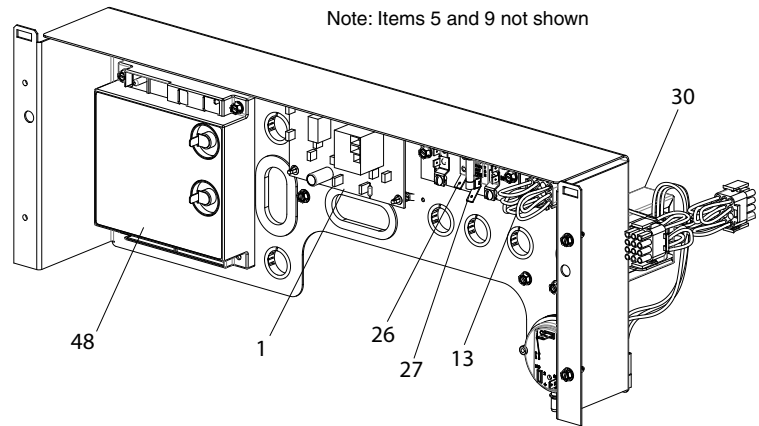
ETi® 400 HEATER (CONT'D)

REPLACEMENT PARTS

ETI 400 HEATER WATER SYSTEM REPLACEMENT PARTS



OPERATOR CONTROL PANEL ASSEMBLY REPLACEMENT PARTS



CALIFORNIA PROPOSITION 65 WARNING

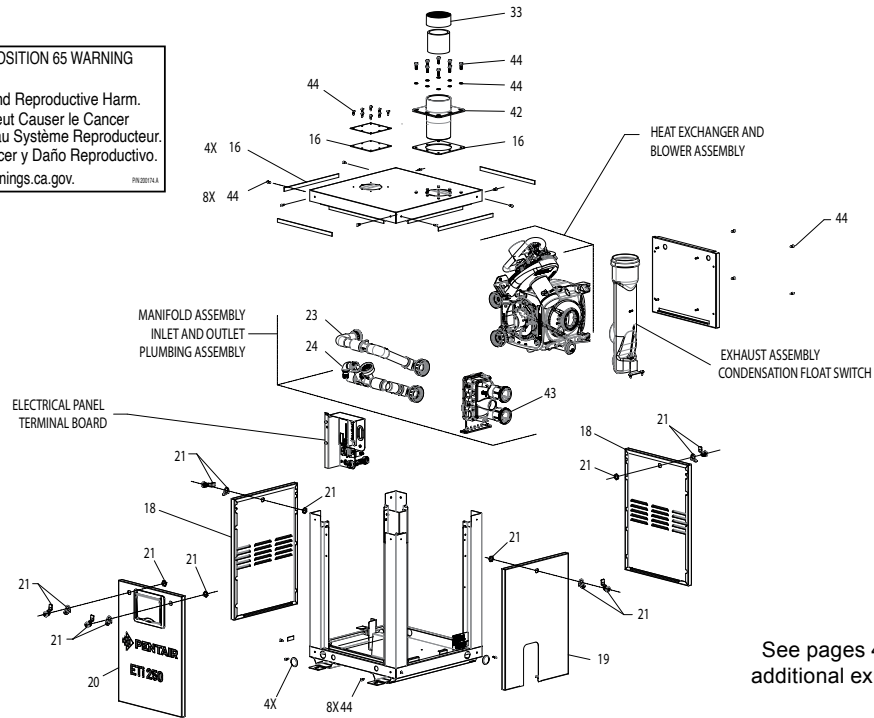
⚠ **WARNING:** Cancer and Reproductive Harm.
 ⚠ **AVERTISSEMENT:** Peut Causer le Cancer
 et des Dommages au Système Reproducteur.
 ⚠ **ADVERTENCIA:** Cáncer y Daño Reproductivo.
www.p65warnings.ca.gov

Product on page 100–101.

ETi® 250

HIGH EFFICIENCY POOL AND SPA HEATER REPLACEMENT PARTS

CALIFORNIA PROPOSITION 65 WARNING
⚠ WARNING: Cancer and Reproductive Harm.
⚠ AVERTISSEMENT: Peut Causer le Cancer et des Dommages au Système Reproducteur.
⚠ ADVERTENCIA: Cáncer y Daño Reproductivo.
www.p65warnings.ca.gov



See pages 446–450 for additional exploded views.

| Item | Part No. | Description | US List | Can. List |
|---------------|-------------|-------------------------------------------|---------|-----------|
| SYSTEM | | | | |
| 1 | 476384 | Control Board | CALL | CALL |
| 2 | 476201 | Membrane Pad | CALL | CALL |
| 3 | 475985 | Automatic Gas Shut-Off Switch (AGS) 150°F | 85.93 | 103.25 |
| 4 | 476365 | Air Pressure Switch | CALL | CALL |
| 5 | 475601 | Stack Flue Sensor | 94.51 | 113.56 |
| 6 | 476364 | Wire Harness (not shown) | CALL | CALL |
| 7 | 475998 | Thermal Switch/Fuse | 107.38 | 129.03 |
| 8 | 476081Z | Spark Electrode LP-NA | 195.73 | 235.19 |
| 9 | 475982 | Spark Electrodes Cables (not shown) | 184.78 | 222.03 |
| 10 | 476366 | Float Switch (KIT) | CALL | CALL |
| 11 | 476367 | Hx And Chimney Gaskets And Insulation | CALL | CALL |
| 12 | 476417 | Heat Exchanger Screw (KIT) | CALL | CALL |
| 13 | 475979 | Plug 120/240V | 85.93 | 103.25 |
| 14 | 475603 | Tridicator Gauge | 128.90 | 154.89 |
| 15 | 476369 | Natural Gas Orifices (KIT) | CALL | CALL |
| 16 | 476419 | Heater Gasket (KIT) | CALL | CALL |
| 17 | 476371 | Air Intake (KIT) | CALL | CALL |
| 18 | 476372 | Panel, Louver Door ETI-250 | CALL | CALL |
| 19 | 476374 | Panel, Water Manifold Door, ETI 250 | CALL | CALL |
| 20 | 476373 | Panel, Control Side Door, ETI 250 | CALL | CALL |
| 21 | 475611 | Latch Assembly | 105.29 | 126.52 |
| 22 | 476375 | Condensate Neutralizer Cartridge (KIT) | CALL | CALL |
| 23 | 476376 | Inlet Plumbing Assembly (KIT) | CALL | CALL |
| 24 | 476377 | Outlet Plumbing Assembly (KIT) | CALL | CALL |
| 25 | 476378 | Exhaust Assembly (KIT) | CALL | CALL |
| 26 | 42001-0056S | Terminal Board | 81.55 | 97.99 |
| 27 | 32850-0099 | Fireman's Switch Fuse (1.25 AMPS) | 11.40 | 13.70 |
| 28 | 42001-0053S | Thermistor, Water Sensor | 120.72 | 145.06 |

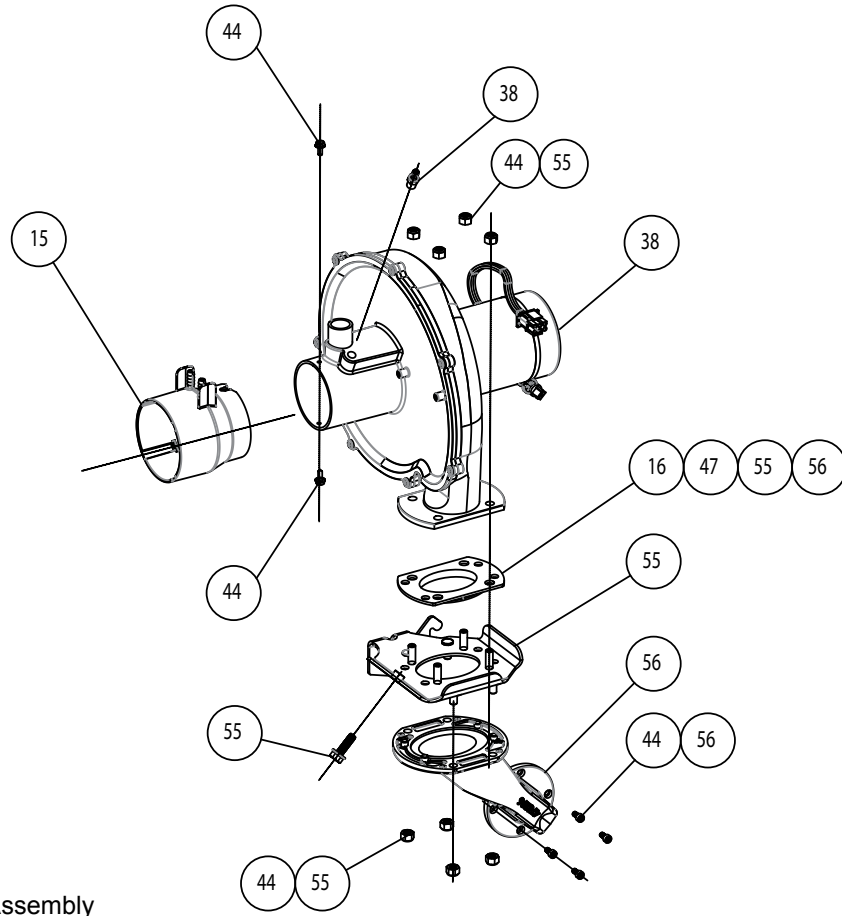
| Item | Part No. | Description | US List | Can. List |
|------|-------------|-------------------------------------|---------|-----------|
| 29 | 42001-0060S | Water Pressure Switch | 124.75 | 149.90 |
| 30 | 42001-0107S | Dual Voltage Transformer | 103.09 | 123.87 |
| 31 | 475618 | Pressure Relief Valve | 210.65 | 253.12 |
| 32 | 475619 | Control Cover | 42.11 | 50.60 |
| 33 | 475620 | Vent Cap Exhaust | 16.80 | 20.19 |
| 34 | 476380 | Water Bypass Assy (KIT) | CALL | CALL |
| 35 | 475622 | Vent Socket | 126.36 | 151.83 |
| 36 | 476382 | TitanTough Heat Exchanger | CALL | CALL |
| 37 | 476383 | Burner (KIT) | CALL | CALL |
| 38 | 476000 | Blower | 379.16 | 455.60 |
| 39 | 476409 | Gas Valve | CALL | CALL |
| 40 | 38404-4097S | 3/4" Union | 54.36 | 65.32 |
| 41 | 42001-0063S | High Limit Switch | 94.51 | 113.56 |
| 42 | U178-920P | Drain plug | CALL | CALL |
| 43 | 476381 | Water Manifold Assembly (KIT) | CALL | CALL |
| 44 | 476420 | Manifold-Enclosure Fasteners | CALL | CALL |
| 45 | 476368 | Hold Down Bracket (KIT) (not shown) | CALL | CALL |
| 46* | 476370 | Propane Conversion Orifices (KIT) | CALL | CALL |
| 47 | 476421 | Blower Gasket | CALL | CALL |
| 48 | 476385 | Ignition Control Module | CALL | CALL |
| 49 | 462023 | Flame Sensor | CALL | CALL |
| 50 | 476386 | Burner Assembly (KIT) | CALL | CALL |
| 51 | 476389 | Control Housing | CALL | CALL |
| 52 | 461103 | Inlet Brass Fitting | 127.00 | 152.60 |
| 53 | 461104 | Outlet Brass Fitting | 127.00 | 152.60 |
| 54 | 476106 | Heat Exchanger Union Adapter (KIT) | 379.16 | 455.60 |
| 55 | 476400 | Bracket, Air Manifold | CALL | CALL |
| 56 | 476401 | Air Manifold | CALL | CALL |
| 57* | 462057 | High Altitude Conversion Kit | CALL | CALL |

(* Refer to the installation and user guides of the ETi 250 High Altitude Installation Kit and/or ETi 250 Propane Conversion Kit to determine each kit's suitability for your specific installation.

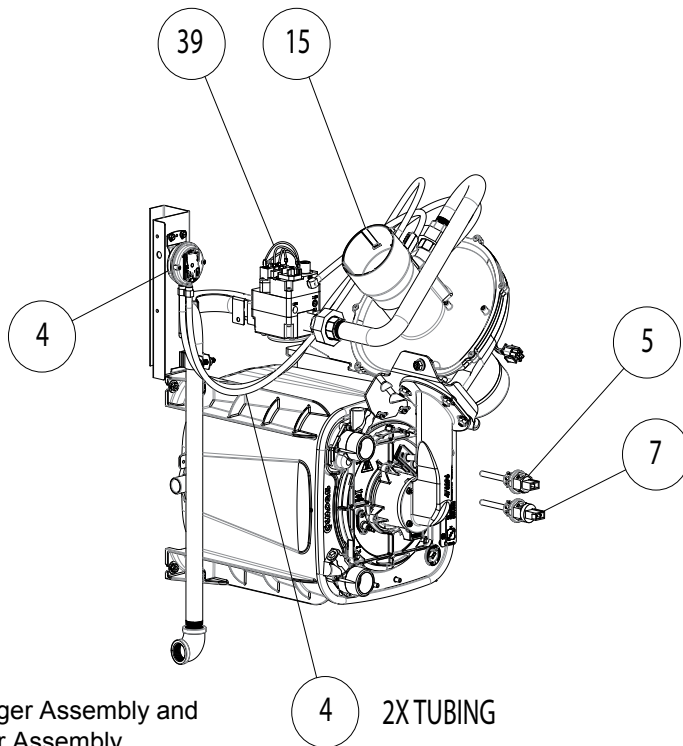
Product on page 102–103.

ETi® 250 (CONT'D)

HIGH EFFICIENCY POOL AND SPA HEATER REPLACEMENT PARTS



Blower Assembly

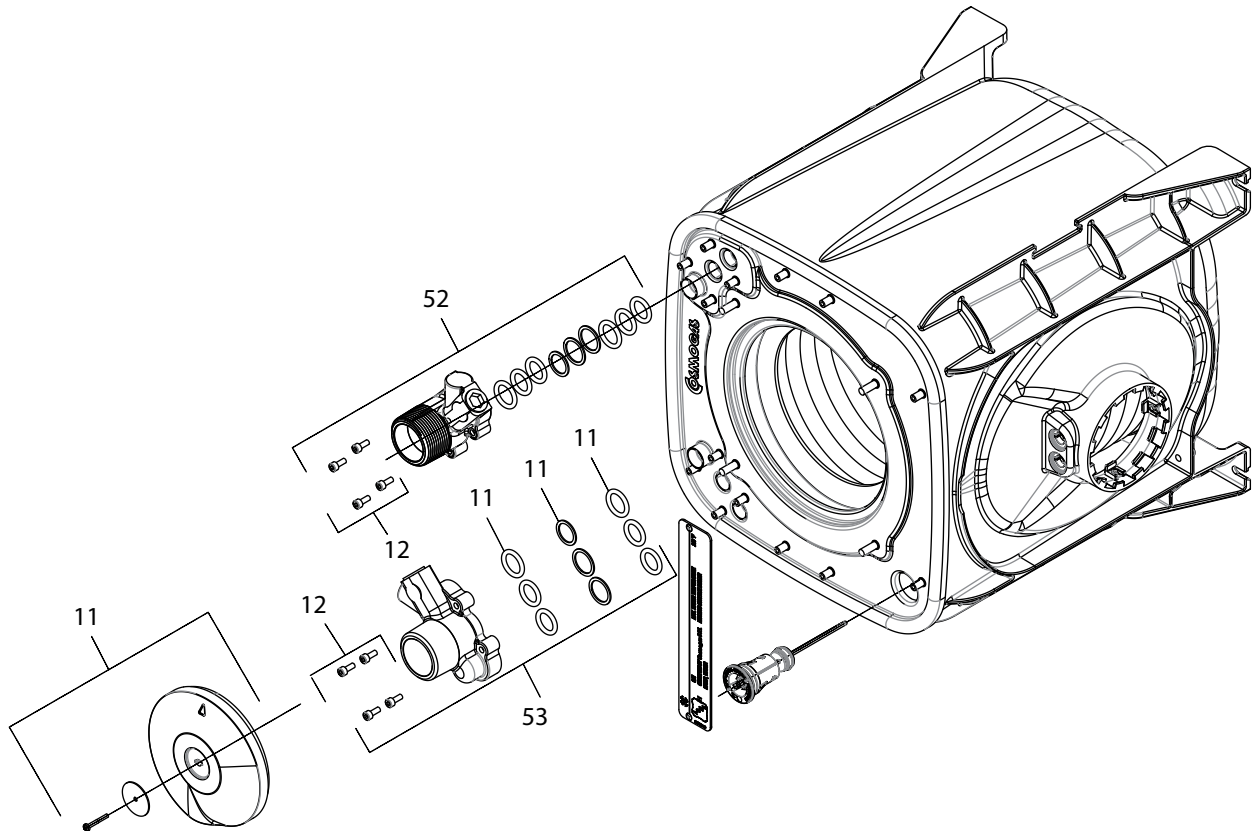


Heat Exchanger Assembly and Blower Assembly

CALIFORNIA PROPOSITION 65 WARNING
 ⚠️ **WARNING:** Cancer and Reproductive Harm.
 ⚠️ **AVERTISSEMENT:** Peut Causer le Cancer et des Dommages au Système Reproducteur.
 ⚠️ **ADVERTENCIA:** Cáncer y Daño Reproductivo.
www.p65warnings.ca.gov P652017-1

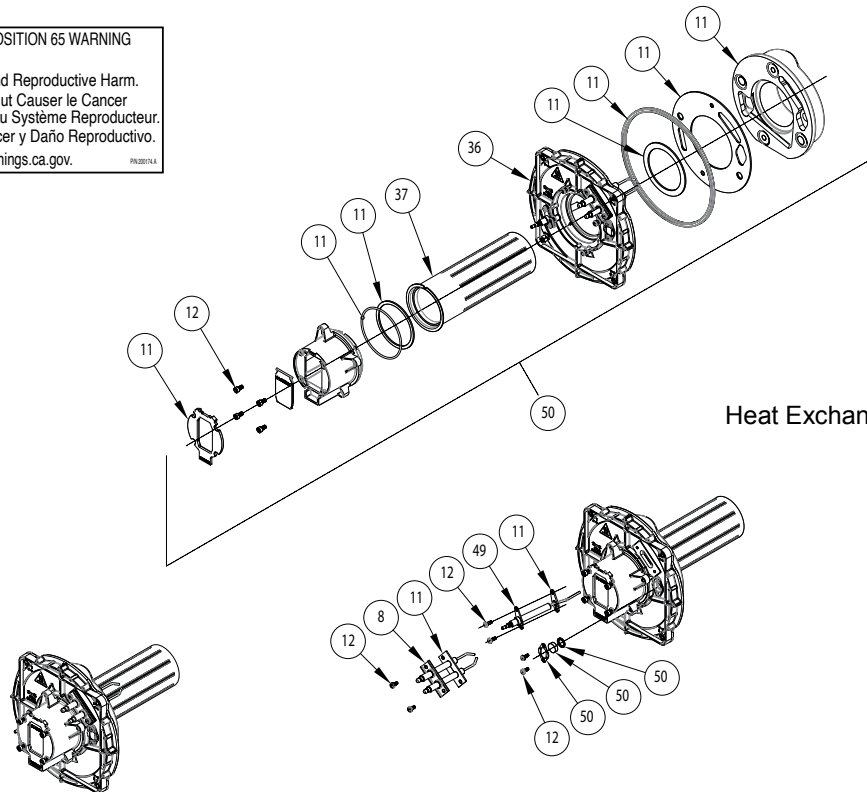
ETi® 250 (CONT'D)

HIGH EFFICIENCY POOL AND SPA HEATER REPLACEMENT PARTS



Heat Exchanger Assembly

CALIFORNIA PROPOSITION 65 WARNING
 ⚠️ **WARNING:** Cancer and Reproductive Harm.
 ⚠️ **AVERTISSEMENT:** Peut Causer le Cancer et des Dommages au Système Reproducteur.
 ⚠️ **ADVERTENCIA:** Cáncer y Daño Reproductivo.
 www.p65warnings.ca.gov. P182071-1

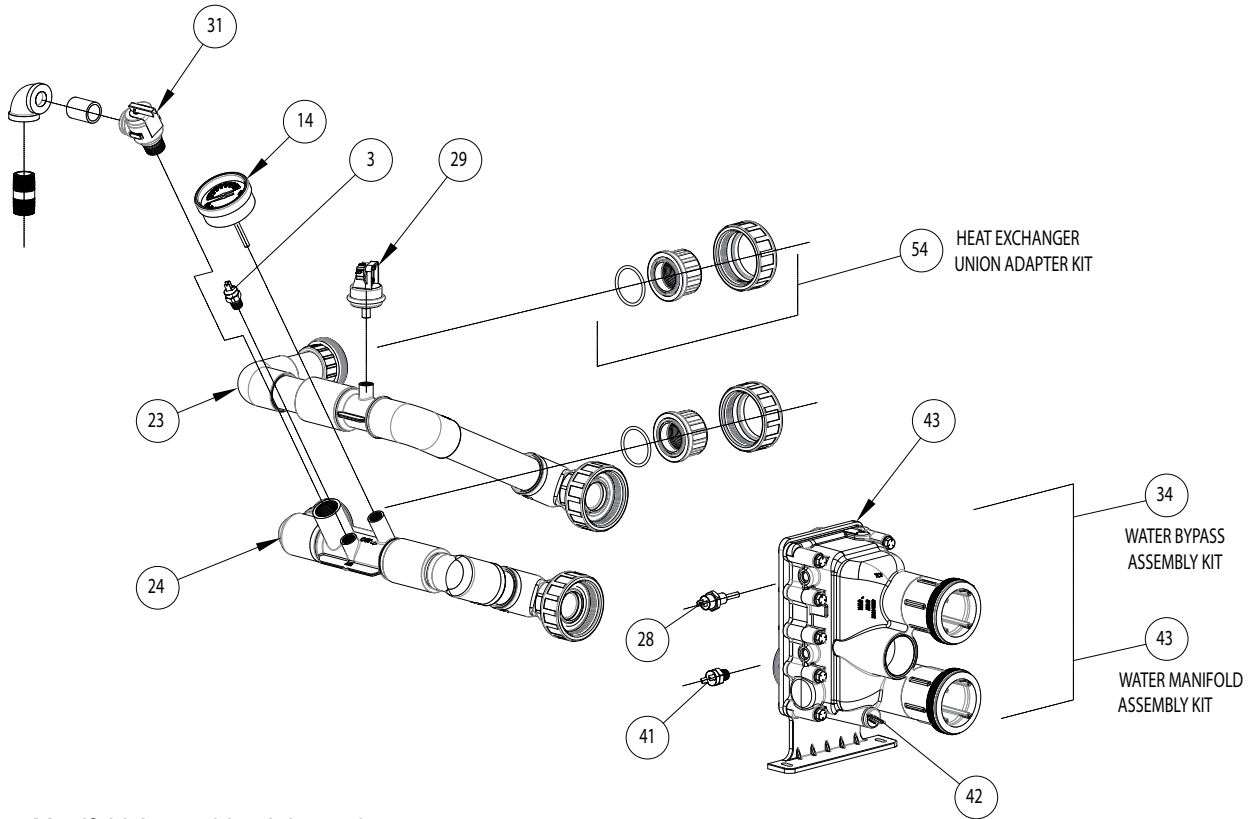


Heat Exchanger Assembly

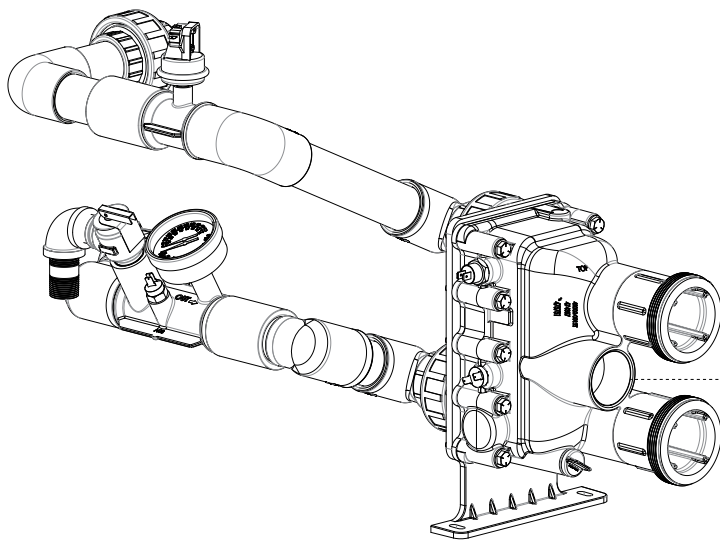
Product on page 102–103.

ETi® 250 (CONT'D)

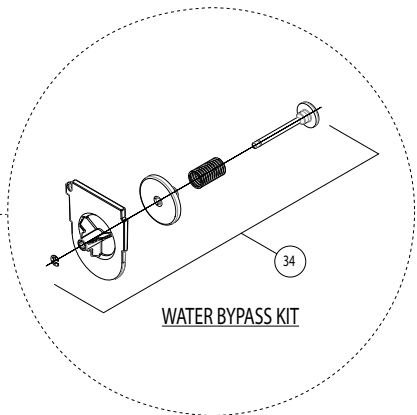
HIGH EFFICIENCY POOL AND SPA HEATER REPLACEMENT PARTS



Manifold Assembly - Inlet and Outlet Plumbing Assembly



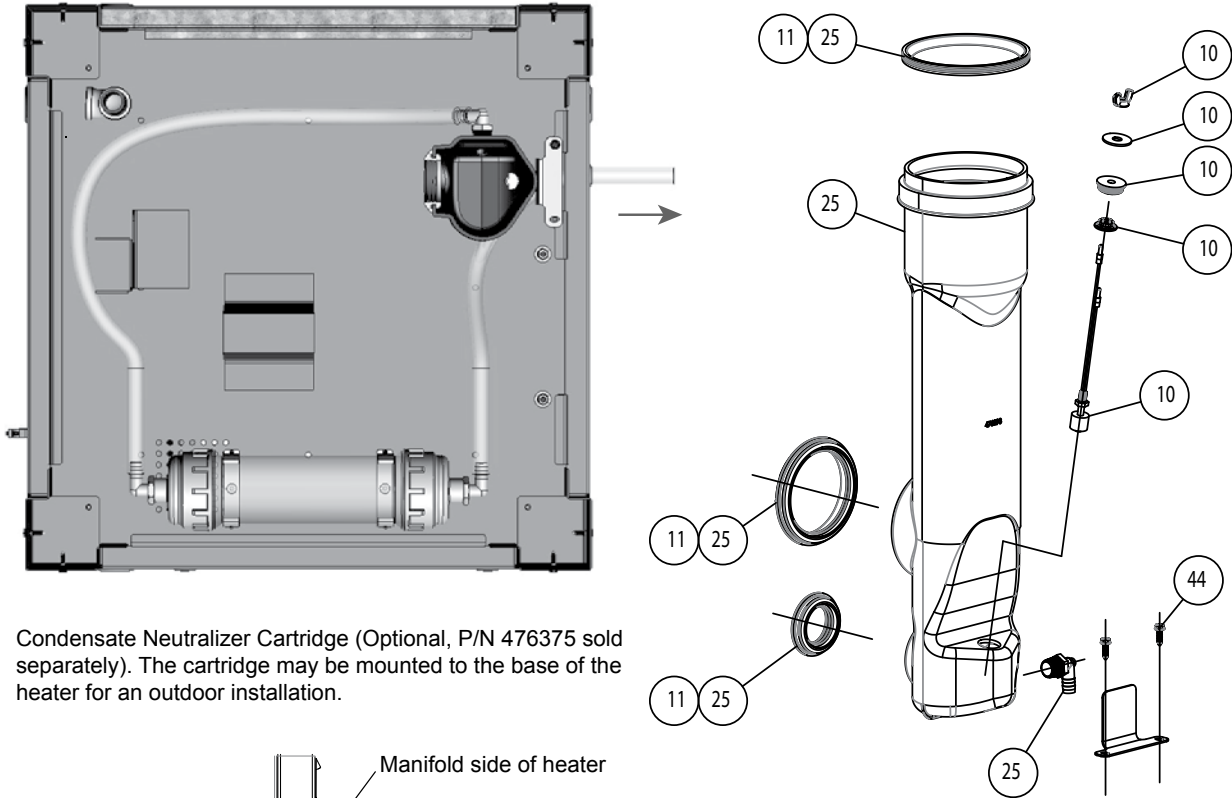
CALIFORNIA PROPOSITION 65 WARNING
 ⚠️ **WARNING:** Cancer and Reproductive Harm.
 ⚠️ **AVERTISSEMENT:** Peut Causer le Cancer et des Dommages au Système Reproducteur.
 ⚠️ **ADVERTENCIA:** Cáncer y Daño Reproductivo.
www.p65warnings.ca.gov P820174-1



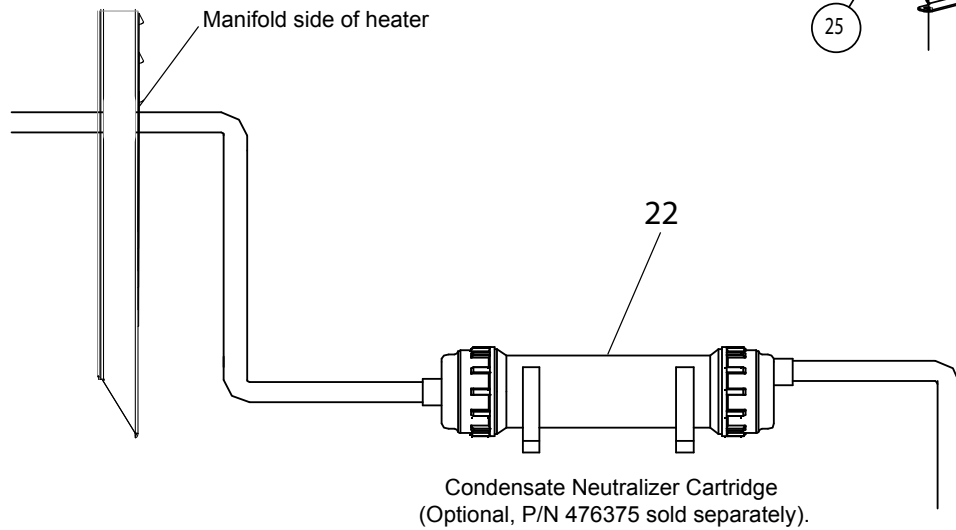
Manifold Assembly

ETi® 250 (CONT'D)

HIGH EFFICIENCY POOL AND SPA HEATER REPLACEMENT PARTS



Condensate Neutralizer Cartridge (Optional, P/N 476375 sold separately). The cartridge may be mounted to the base of the heater for an outdoor installation.

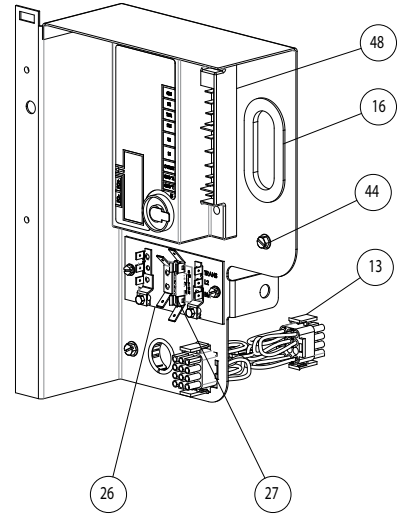
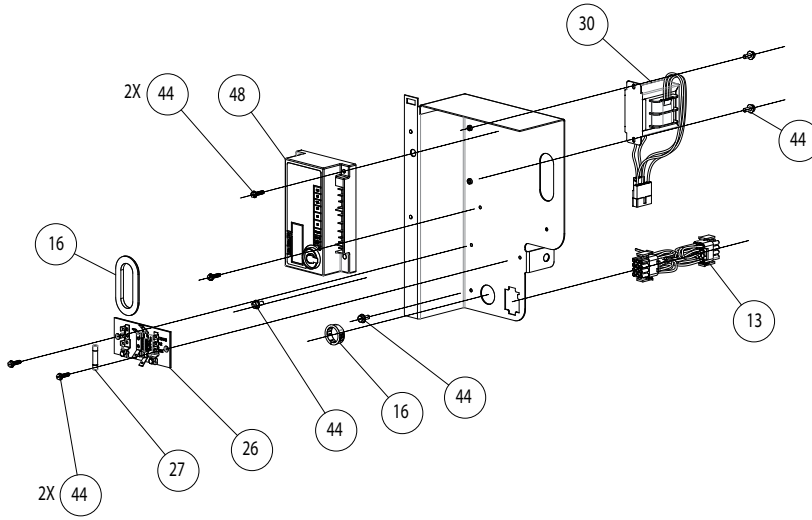


Condensate Neutralizer Cartridge Assembly and Exhaust Assembly

CALIFORNIA PROPOSITION 65 WARNING
 ⚠️ **WARNING:** Cancer and Reproductive Harm.
 ⚠️ **AVERTISSEMENT:** Peut Causer le Cancer et des Dommages au Système Reproducteur.
 ⚠️ **ADVERTENCIA:** Cáncer y Daño Reproductivo.
www.p65warnings.ca.gov

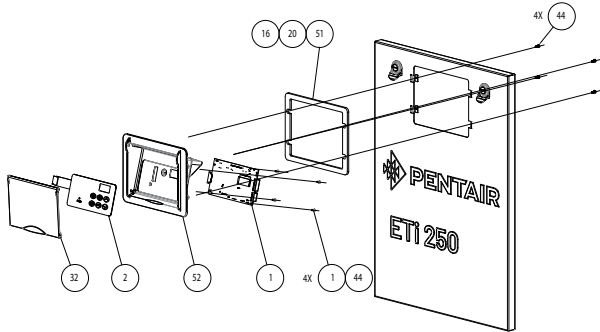
ETi® 250 (CONT'D)

HIGH EFFICIENCY POOL AND SPA HEATER REPLACEMENT PARTS

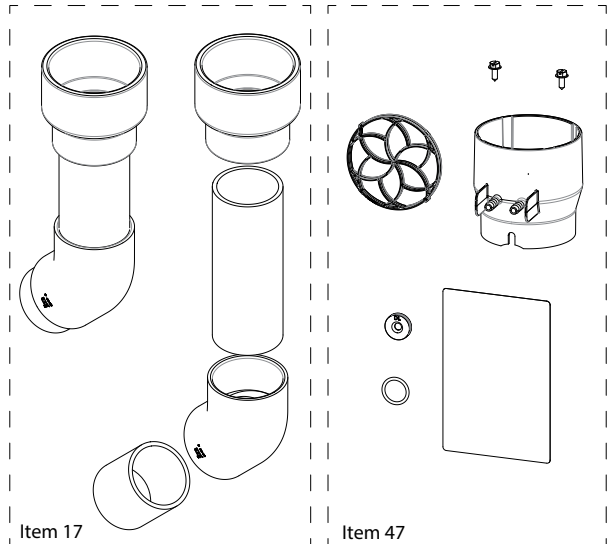


Electrical Panel

CALIFORNIA PROPOSITION 65 WARNING
 ⚠️ **WARNING:** Cancer and Reproductive Harm.
 ⚠️ **AVERTISSEMENT:** Peut Causer le Cancer et des Dommages au Système Reproducteur.
 ⚠️ **ADVERTENCIA:** Cáncer y Daño Reproductivo.
www.p65warnings.ca.gov PH020174.1



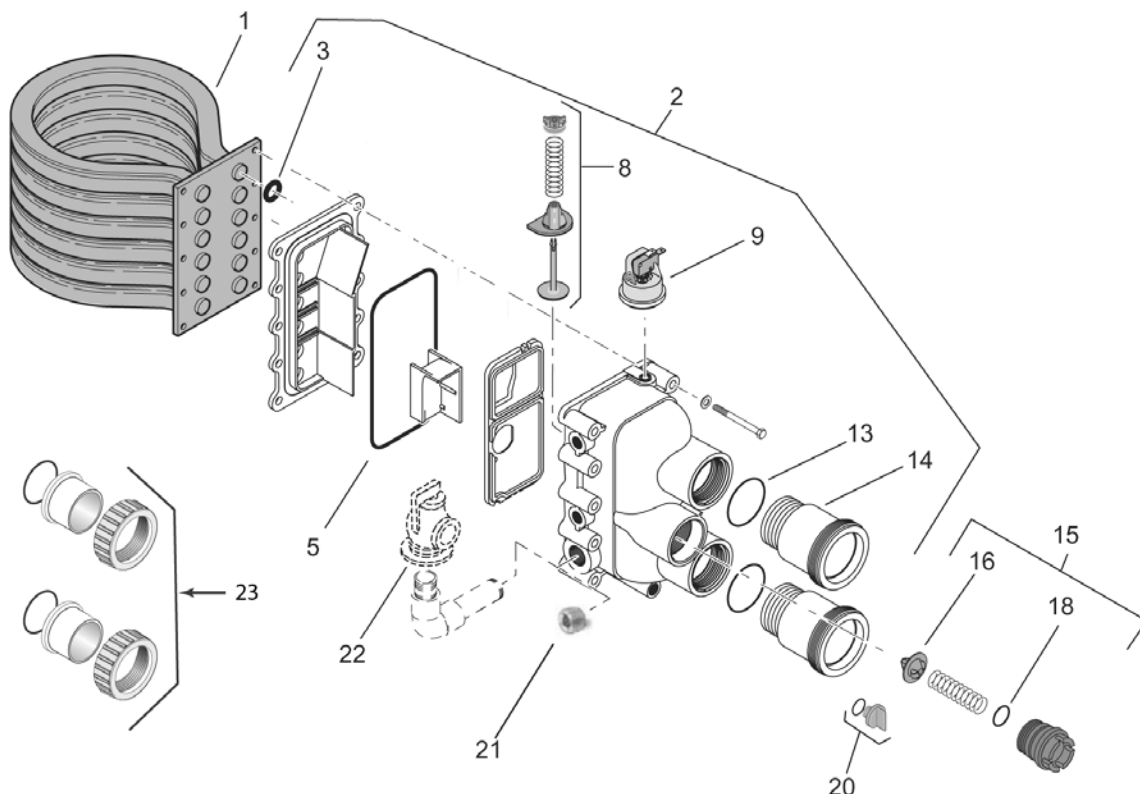
Control Panel Circuit Board Assembly and Side Panel



Intake Kit (#17) & Blower Gasket (#47)

MASTERTEMP® HEATER

WATER SYSTEM REPLACEMENT PARTS



| Item | Part No. | Description | US List | Can. List |
|---------------------|------------|-------------------------------------------------------------------------------------------|---------|-----------|
| WATER SYSTEM | | | | |
| 1 | 77707-0232 | Tube Sheet Coil Assembly Kit (Includes Item No. 3) Models 175NA, 175LP, 200NA, 200LP | 1321.85 | 1588.33 |
| 1 | 474062 | Tube Sheet Coil Assembly Kit (Includes Item No. 3) Model 200HDNA, 200HD-LP | 2664.68 | 3201.88 |
| 1 | 460747 | Tube Sheet Coil Assembly Kit (Includes Item No. 3) Models 250NA, 250LP | 1639.09 | 1969.53 |
| 1 | 77707-0233 | Tube Sheet Coil Assembly Kit (Includes Item No. 3) Models 300NA, 300LP | 1850.58 | 2223.66 |
| 1 | 77707-0234 | Tube Sheet Coil Assembly Kit (Includes Item No. 3) Models 400NA, 400LP | 2062.07 | 2477.78 |
| 1 | 77707-0244 | Tube Sheet Coil Assembly Kit (Includes Item No. 3) Models 400HDNA, 400HD-LP | 3331.06 | 4002.60 |
| 1 | 473710 | Tube Sheet Coil Assembly Kit - HD Series - (Includes Item No. 3) Models 250HDNA, 250HD-LP | 2749.41 | 3303.69 |

Note: Kits include: O-Rings, Insulation, Igniter and Blower Gaskets.

CALIFORNIA PROPOSITION 65 WARNING
 ⚠️ **WARNING:** Cancer and Reproductive Harm.
 ⚠️ **AVERTISSEMENT:** Peut Causer le Cancer et des Dommages au Système Reproducteur.
 ⚠️ **ADVERTENCIA:** Cáncer y Daño Reproductivo.
www.p65warnings.ca.gov P1920174

MASTERTEMP® HEATER (CONT'D)

WATER SYSTEM REPLACEMENT PARTS

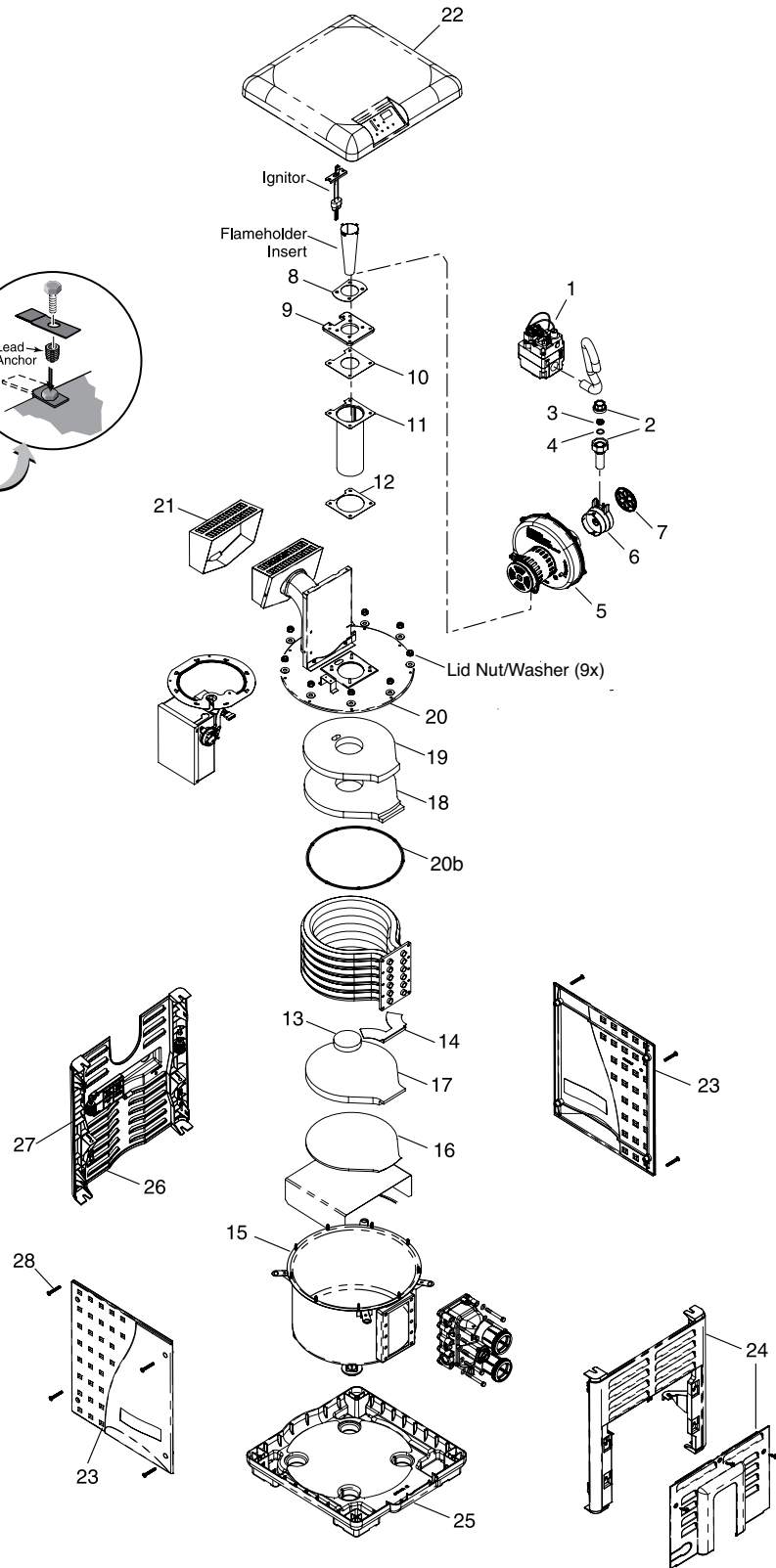
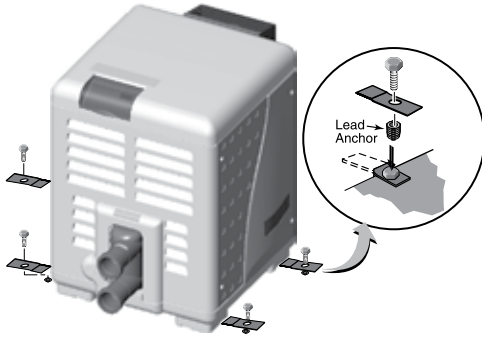
| Item | Part No. | Description | US List | Can List |
|---------------------|-------------|--------------------------------------------------------------------------------------------------------------------------------------------------------|---------|----------|
| WATER SYSTEM | | | | |
| 2 | 77707-0014 | Manifold Kit (Includes Item Nos. 3-14, 21, and Item Nos. 5-7 in "Electrical System" Models 175NA, 175LP, 200NA, 200LP) | 971.39 | 1167.22 |
| 2 | 460748 | Manifold Kit (Includes Item Nos. 3-14, 21, and Item Nos. 5-7 in "Electrical System" Models 250NA, 250LP) | 903.59 | 1085.75 |
| 2 | 77707-0015 | Manifold Kit (Includes Item Nos. 3-14, 21, and Item Nos. 5-7 in "Electrical System" Models 300NA, 300LP) | 971.39 | 1167.22 |
| 2 | 77707-0016 | Manifold Kit (Includes Item Nos. 3-14, 21, and Item Nos. 5-7 in "Electrical System" Models 400NA, 400LP) | 971.39 | 1167.22 |
| 2 | 474200 | Basic Manifold Kit (Includes Item Nos. 3, 5, 10-14) | 309.93 | 372.41 |
| 3 | 77707-0117 | Coil/Tubesheet Sealing O-Ring Kit - Models 175NA, 175LP, 200NA, 200LP (6) | 81.55 | 97.99 |
| 3 | 460749 | Coil/Tubesheet Sealing O-Ring Kit - Models 250NA, 250LP (8) | 81.55 | 97.99 |
| 3 | 77707-0118 | Coil/Tubesheet Sealing O-Ring Kit - Models 300NA, 300LP (10) | 81.55 | 97.99 |
| 3 | 77707-0119 | Coil/Tubesheet Sealing O-Ring Kit - Models 400NA, 400LP (12) | 81.55 | 97.99 |
| 8 | 77707-0001 | Manifold Bypass Valve Kit | 86.43 | 103.85 |
| 9 | 42001-0060S | Water Pressure Switch | 124.75 | 149.90 |
| 9 | 473716Z | Water Pressure Switch (Old Header Design ASME) ⁴ | 462.84 | 556.15 |
| 13 | U9-226Z | O-Ring | 4.77 | 5.73 |
| 14 | 77707-0017 | Connector Tube Kit (Includes 1 Connector Tube and 1 O-Ring) | 82.89 | 99.60 |
| 15 | 77707-0010 | Thermal Regulator Kit (Incl. Item Nos. 16, 17, 18, 19 and Spring Clip) | 157.88 | 189.71 |
| 16 | 38000-0007S | Thermal Regulator (Includes Spring Clip) | 108.77 | 130.70 |
| 18 | 35505-1313 | Thermal Regulator Cap O-Ring | 6.96 | 8.36 |
| 20 | U178-920PZ | Drain Plug | 7.57 | 9.10 |
| 21 | U78-60ZPS | Zinc Plug 428-60 PS | 9.60 | 11.54 |
| 22 | 473715Z | Pressure Relief Valve | 238.36 | 286.41 |
| 23 | PKG 188Z | 2 in. Union Adapter Package (Includes 2) | 45.59 | 54.78 |
| | 77707-0120 | O-Ring Kit (Incl. Item Nos. 3, 5) | 69.49 | 83.50 |
| | 461102 | Pro Service Package - Water Parts (Includes items in a reusable hard case, 8, 9, 15, not shown, Thermistor (2), High Limit Switch (2), AGS Switch (2)) | 594.56 | 714.42 |

| ASME Heater Manufacture Date | Part No. | Description | US List | Can. List |
|---------------------------------------------------------------------------------------------------------------------------|------------|-----------------------------------------------------------------------|---------|-----------|
| ASME KITS | | | | |
| 03/24/09 to 11/15/13 Tub Design w/ClampRing (Includes Item No.s 13-19, 20a, Clamp Assy and Silicone Tube) | 472732Z | Heat Exchanger Kit - 200 ASME | 4180.73 | 5023.57 |
| | 474097 | Heat Exchanger Kit - 250 ASME | 4229.97 | 5082.73 |
| | 474349 | Heat Exchanger Kit - 250 ASME HD | 4536.50 | 5451.06 |
| | 474096 | Heat Exchanger Kit - 400 ASME | 4705.80 | 5654.49 |
| | 474350 | Heat Exchanger Kit - 400 ASME HD | 4770.48 | 5732.21 |
| 11/16/13 to Present (New 9-Bolt Tub Design) (Includes Item No.s 13-19, 20b, Lid, Nut/Washer [9X] and Silicone Tube) | 475669 | Heat Exchanger Kit - 200 ASME | 3966.88 | 4766.60 |
| | 474955 | Heat Exchanger Kit - 250 ASME | 4229.97 | 5082.73 |
| | 474954 | Heat Exchanger Kit - 250 ASME HD | 4536.51 | 5451.07 |
| | 474956 | Heat Exchanger Kit - 400 ASME | 4705.80 | 5654.49 |
| Prior to 10/2012 (Old Header Design) | 474953 | Heat Exchanger Kit - 400 ASME HD | 4770.48 | 5732.21 |
| | 460923 | ASME Bypass Valve Kit (Old Header Design) | 486.94 | 585.11 |
| | 461007 | ASME Bypass Valve Tool Kit (Old Header Design) | 289.62 | 348.01 |
| 10/2012 to Present (New Header Design) | 460924 | Thermal Regulator Kit (includes Spring Clip, ASME, Old Header Design) | 237.96 | 285.93 |
| | 472648Z | Bypass Access Plug (ASME) | 560.14 | 673.06 |
| | 77707-0001 | Manifold Bypass Valve Kit ASME | 86.43 | 103.85 |

MASTERTEMP® HEATER (CONT'D)

BURNER SYSTEM REPLACEMENT PARTS

For Heater mounting bolts and clamps, purchase separately Bolt Down Bracket Kit, Part No. 460738.



CALIFORNIA PROPOSITION 65 WARNING
 ⚠️ **WARNING:** Cancer and Reproductive Harm.
 ⚠️ **AVERTISSEMENT:** Peut Causer le Cancer et des Dommages au Système Reproducteur.
 ⚠️ **ADVERTENCIA:** Cáncer y Daño Reproductivo.
www.p65warnings.ca.gov P98-2017-14

MASTERTEMP® HEATER (CONT'D)

BURNER SYSTEM REPLACEMENT PARTS

| Item | Part No. | Description | US List | Can. List | Qty. |
|----------------------|-------------|----------------------------------------------------------------------|---------|-----------|------|
| BURNER SYSTEM | | | | | |
| 1 | 42001-0051S | Combination Gas Control Valve Kit | 662.72 | 796.32 | 1 |
| 2 | 38404-4097S | 3/4 in. Union | 54.36 | 65.32 | 2 |
| 5 | 77707-0250 | Air Blower Kit - Natural Gas Units (Models 175NA) | 1253.03 | 1505.64 | 1 |
| 5 | 77707-0251 | Air Blower Kit - Natural Gas Units (Models 200NA) | 1253.06 | 1505.68 | 1 |
| 5 | 460743 | Air Blower Kit - Natural Gas Units (Models 250NA) | 1165.68 | 1400.68 | 1 |
| 5 | 460757 | Air Blower Kit - Natural Gas Units (Models 300NA) | 1165.65 | 1400.65 | 1 |
| 5 | 77707-0253 | Air Blower Kit - Natural Gas Units (Models 400NA) | 1253.06 | 1505.68 | 1 |
| 5 | 77707-0254 | Air Blower Kit - Propane Units (Models 175LP, 200LP) | 1253.06 | 1505.68 | 1 |
| 5 | 460744 | Air Blower Kit - Propane Units (Models 250LP) | 1165.65 | 1400.65 | 1 |
| 5 | 460758 | Air Blower Kit - Propane Units (Models 300LP) | 1165.65 | 1400.65 | 1 |
| 5 | 77707-0256 | Air Blower Kit - Propane Units (Models 400LP) | 1253.06 | 1505.68 | 1 |
| 6 | See Item #7 | Item #6 included in Item #7 | | | |
| 7 | 460798 | Air Orifice Kit - Model 175 (Includes Item Nos. 6 and 7) | 65.24 | 78.39 | 1 |
| 7 | 77707-0111 | Air Orifice Kit - Model 200 (Includes Item Nos. 6 and 7) | 99.80 | 119.92 | 1 |
| 7 | 460745 | Air Orifice Kit - Model 250 (Includes Item Nos. 6 and 7) | 92.79 | 111.50 | 1 |
| 7 | 460759 | Air Orifice Kit - Model 300 (Includes Item Nos. 6 and 7) | 92.79 | 111.50 | 1 |
| 7 | 77707-0113 | Air Orifice Kit - Model 400 (Includes Item Nos. 6 and 7) | 99.80 | 119.92 | 1 |
| 15 | 474957 | One Piece Metal Chamber/Combustion Chamber Assembly ¹ | 643.08 | 772.72 | 1 |
| 20 | 474958 | One Piece Metal Elbow/Combustion Chamber Cover Assembly ¹ | 732.14 | 879.74 | 1 |
| 20b | 474952 | Tub O-Ring Kit ¹ | 68.87 | 82.75 | 1 |
| 21 | 42002-0005S | Metal Vent Cover | 199.47 | 239.68 | 1 |
| 22 | 42002-0034Z | Heater Top | 532.11 | 639.38 | 1 |
| 23 | 42002-0039Z | Side Panel (Service Panel) with 4 clips and 4 screws | 520.46 | 625.38 | 1 |
| 24 | 42002-0033Z | Side Panel (Manifold) | 520.44 | 625.36 | 1 |
| 25 | 42002-0031Z | Heater Bottom | 244.71 | 294.04 | 1 |
| 26 | 42002-0032Z | Side Panel (Flue Stack) | 393.34 | 472.64 | 1 |
| 27 | 42002-0041Z | J Box Cover | 27.18 | 32.66 | 1 |
| 28 | 474292 | 11 ea screws, 11 ea clips and 8 wing-nuts | 33.97 | 40.82 | |
| NOT SHOWN | | | | | |
| | 461002 | Gas Orifice Kit - NG, Model 175 (Incl. Item Nos. 3 and 4)* | 82.96 | 99.68 | 1 |
| | 77707-0431 | Gas Orifice Kit - NG, Model 200 (Incl. Item Nos. 3 and 4)* | 82.96 | 99.68 | 1 |
| | 460739 | Gas Orifice Kit - NG, Model 250 (Incl. Item Nos. 3 and 4)* | 77.17 | 92.73 | 1 |
| | 460753 | Gas Orifice Kit - NG, Model 300 (Incl. Item Nos. 3 and 4) | 77.17 | 92.73 | 1 |
| | 77707-0411 | Gas Orifice Kit - NG, Model 400 (Incl. Item Nos. 3 and 4)* | 82.96 | 99.68 | 1 |
| | 460797 | Gas Orifice Kit - Propane, Model 175 (Incl. Item Nos. 3 and 4)* | 124.05 | 149.06 | 1 |
| | 77707-0461 | Gas Orifice Kit - Propane, Model 200 (Incl. Item Nos. 3 and 4)* | 82.96 | 99.68 | 1 |
| | 460740 | Gas Orifice Kit - Propane, Model 250 (Incl. Item Nos. 3 and 4)* | 77.17 | 92.73 | 1 |
| | 460754 | Gas Orifice Kit - Propane, Model 300 (Incl. Item Nos. 3 and 4)* | 77.17 | 92.73 | 1 |

| Item | Part No. | Description | US List | Can. List | Qty. |
|------|-------------|-----------------------------------------------------------------------------------------|---------|-----------|------|
| | 77707-0441 | Gas Orifice Kit - Propane, Model 400 (Incl. Item Nos. 3 and 4)* | 82.96 | 99.68 | 1 |
| | 460794 | NG to Propane Conversion Kit Model 175 (Incl. Item Nos. 3 and 4)* | 114.74 | 137.87 | 1 |
| | 77707-1461 | NG to Propane Conversion Kit Model 200 (Incl. Item Nos. 3 and 4)* | 85.78 | 103.07 | 1 |
| | 460741 | NG to Propane Conversion Kit Model 250 (Incl. Item Nos. 3 and 4)* | 79.78 | 95.86 | 1 |
| | 460755 | NG to Propane Conversion Kit Model 300 (Incl. Item Nos. 3 and 4)* | 79.78 | 95.86 | 1 |
| | 77707-1441 | NG to Propane Conversion Kit Model 400 (Incl. Item Nos. 3 and 4)* | 85.78 | 103.07 | 1 |
| | 460795 | Propane to NG Conversion Kit Model 175 (Incl. Key Nos. 3 and 4)* | 114.74 | 137.87 | 1 |
| | 77707-1431 | Propane to NG Conversion Kit Model 200 (Incl. Key Nos. 3 and 4)* | 85.78 | 103.07 | 1 |
| | 460742 | Propane to NG Conversion Kit Model 250 (Incl. Key Nos. 3 and 4)* | 79.78 | 95.86 | 1 |
| | 460756 | Propane to NG Conversion Kit Model 300 (Incl. Key Nos. 3 and 4)* | 79.78 | 95.86 | 1 |
| | 77707-1411 | Propane to NG Conversion Kit Model 400 (Incl. Key Nos. 3 and 4)* | 85.78 | 103.07 | 1 |
| | 77707-0011 | Blower/Adapter Plate Gasket Kit (Includes Item Nos. 8, 9, 10, 12) | 98.28 | 118.09 | 1 |
| | 77707-0202 | Flameholder Kit - Model 175, Model 200 (Includes Item Nos. 10, 11, 12 & 13) | 233.54 | 280.62 | 1 |
| | 460746 | Flameholder Kit - Model 250 (Includes Item Nos. 10, 11, 12 & 13 and Flameholder insert) | 217.23 | 261.02 | 1 |
| | 77707-0203 | Flameholder Kit - Model 300 (Includes Item Nos. 10, 11, 12, 13 & Flameholder Insert) | 262.73 | 315.70 | 1 |
| | 77707-0204 | Flameholder Kit - Model 400 (Includes Item Nos. 10, 11, 12, 13 & Flameholder Insert) | 306.50 | 368.29 | 1 |
| | 77707-0008 | Insulation Kit (Includes Item Nos. 13, 14, 16, 17, 18, 19) | 237.96 | 285.93 | 1 |
| | 42001-0074S | Lower Enclosure Insulation | 83.57 | 100.42 | 1 |
| | 42001-0214S | Metal Vent Cover Assembly | CALL | CALL | 1 |
| | 461063 | Kit Gas Conversion NA to LP - MT125 | CALL | CALL | 1 |
| | 461100 | Pro Service Package - Master Commonly replaced items in a reusable case | 1709.38 | 2053.99 | |

* Not included with heater. Order separately.

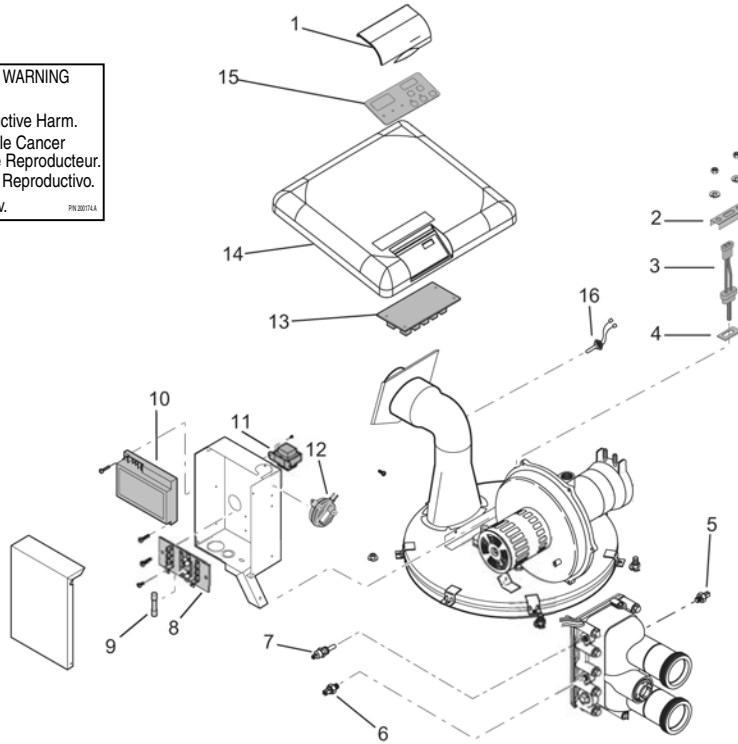
¹ For Heaters Manufactured After 11/16/13 (New 9-bolt lid tub design).

Note: Kits include Clamp Assembly, O-Ring, and Silicone Tube.

MASTERTEMP® HEATER (CONT'D)

ELECTRICAL SYSTEM REPLACEMENT PARTS

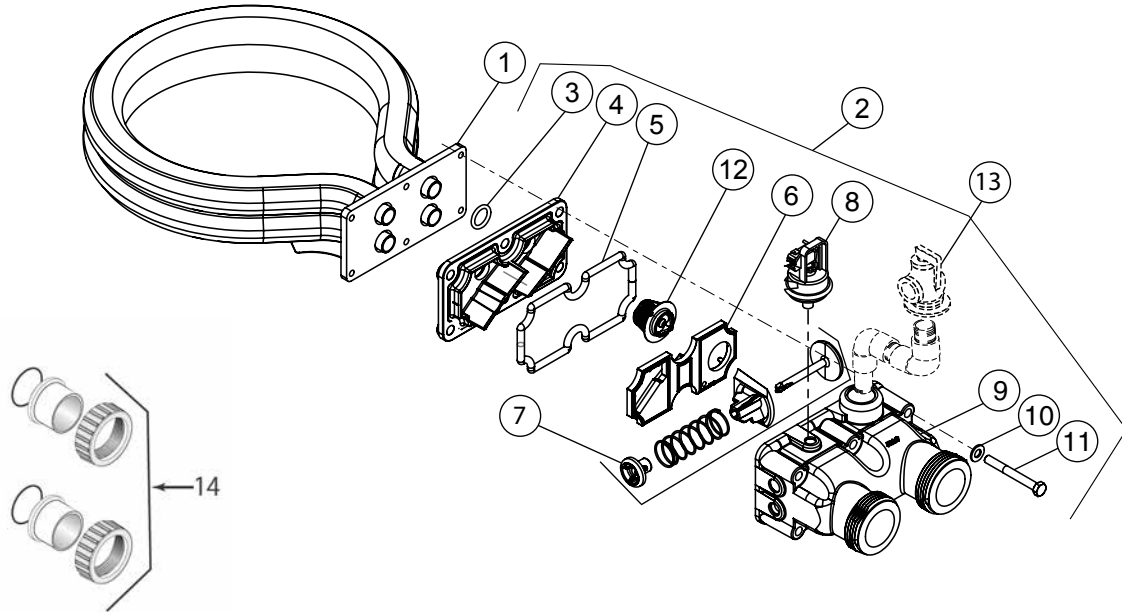
CALIFORNIA PROPOSITION 65 WARNING
 ⚠️ **WARNING:** Cancer and Reproductive Harm.
 ⚠️ **AVERTISSEMENT:** Peut Causer le Cancer et des Dommages au Système Reproducteur.
 ⚠️ **ADVERTENCIA:** Cáncer y Daño Reproductivo.
www.p65warnings.ca.gov PA 201714



| Item | Part No. | Description | US List | Can. List |
|--------------------------|-------------|----------------------------------------------------------------------------------------------------------------------------------------------------------------------------------|---------|-----------|
| ELECTRICAL SYSTEM | | | | |
| 1 | 42002-0035Z | Heater Display Cover | 81.55 | 97.99 |
| 2 | 42001-0030S | Igniter Bracket | 81.55 | 97.99 |
| 3 | 77707-0054 | Igniter/Igniter Gasket Kit, Incl. Item Nos. 3 and 4) | 126.38 | 151.86 |
| 4 | 42001-0066S | Igniter Gasket | 81.55 | 97.99 |
| 5 | 42002-0025S | Automatic Gas Shutoff Switch (AGS) | 77.73 | 93.40 |
| 6 | 42001-0063S | High Limit Switch | 94.51 | 113.56 |
| 7 | 42001-0053S | Thermistor | 120.72 | 145.06 |
| 8 | 42001-0056S | Terminal Board | 81.55 | 97.99 |
| 9 | 32850-0099 | Fireman's Switch Fuse (1.25A, 1-1/4 in.) | 11.40 | 13.70 |
| 10 | 476223 | Ignition Control Module | 506.80 | 608.97 |
| 11 | 42001-0107S | Transformer, 115/230V | 103.09 | 123.87 |
| 12 | 42001-0061S | Air Flow Switch | 209.02 | 251.16 |
| 13 | 461105 | Control Board Kit (NA, LP Series) | 959.53 | 1152.97 |
| 14 | 42002-0034Z | Heater, Top | 532.11 | 639.38 |
| 15 | 472610Z | Five Button Membrane Keypad - for heaters made before 5/5/2021 | 209.41 | 251.63 |
| 15 | 461106 | Six Button Membrane Keypad - For heaters made after 5/6/2021 | 209.39 | 251.60 |
| 16 | 42002-0024S | Stack Flue Sensor | 181.64 | 218.26 |
| NOT SHOWN | | | | |
| | 461107 | Heater Wiring Harness -115/230V | 502.89 | 604.27 |
| | 42001-0105S | 120/240 Volt Plug Kit | 81.55 | 97.99 |
| | 461101 | Pro Service Package - Electrical System Parts (Includes items in a reusable hardcase, #3, #5 qty(2), #6 qty(2), #7 qty(2), #9 qty(3), #12, #16, not shown water pressure switch) | 743.21 | 893.04 |

MASTERTEMP® 125 HEATER

WATER SYSTEM REPLACEMENT PARTS



| Item | Part No. | Description | US List | Can. List |
|---------------------|-------------|-----------------------------------------------------------------------------------------------|---------|-----------|
| WATER SYSTEM | | | | |
| 1 | 474971 | Tube Sheet Coil Assembly Kit - Includes Item #3. (NA, LP Series) | 1373.55 | 1650.46 |
| 2 | 474972 | Manifold Kit (Includes Item #3, #4, #5, #6, #7, #9, #10, & #11; Item #8 and #13 not included) | 459.33 | 551.93 |
| 3 | 474973 | Coil/Tubesheet Sealing O-Ring Kit | 64.25 | 77.20 |
| 4 | 474405 | Manifold Bottom Plate | CALL | CALL |
| 5 | 474406 | Manifold O-Ring | CALL | CALL |
| 6 | 474407 | Manifold Baffle Plate | CALL | CALL |
| 7 | 476198 | Manifold Bypass Valve | 49.56 | 59.55 |
| 8 | 42001-0060S | Water Pressure Switch | 124.75 | 149.90 |
| 9 | | Manifold * | | |
| 10 | | 5/16" Washer, S.S. * | | |
| 11 | | 5/16 x 18 x 2-3/4" Hex Cap Screw * | | |
| 12 | 474989 | Thermal Regulator | 91.83 | 110.34 |
| 13 | 473715Z | Pressure Relief Valve (Recommended-Purchased Separately) | 238.36 | 286.41 |
| 14 | 474974 | Union 1-1/2" Kit | 105.63 | 126.93 |

Note: Kits include: O-Rings, Insulation, Igniter and Blower Gaskets.

* Not available separately. See item #2.

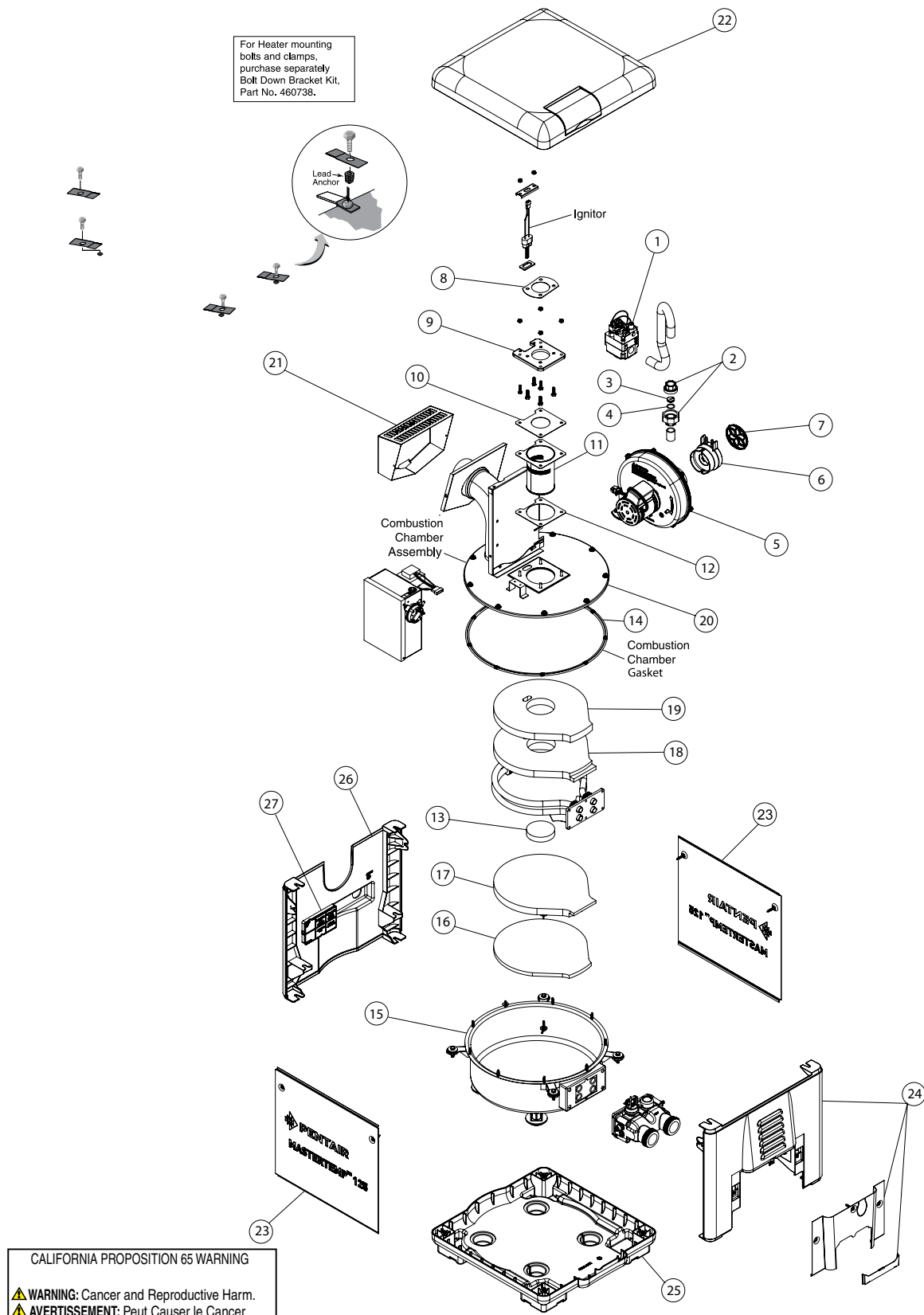
CALIFORNIA PROPOSITION 65 WARNING

⚠ **WARNING:** Cancer and Reproductive Harm.
 ⚠ **AVERTISSEMENT:** Peut Causer le Cancer et des Dommages au Système Reproducteur.
 ⚠ **ADVERTENCIA:** Cáncer y Daño Reproductivo.

www.p65warnings.ca.gov. PH20171A

MASTERTEMP® 125 HEATER (CONT'D)

BURNER SYSTEM REPLACEMENT PARTS



CALIFORNIA PROPOSITION 65 WARNING

⚠ **WARNING:** Cancer and Reproductive Harm.

⚠ **AVERTISSEMENT:** Peut Causer le Cancer et des Dommages au Système Reproducteur.

⚠ **ADVERTENCIA:** Cáncer y Daño Reproductivo.

www.p65warnings.ca.gov

PN 201744

Product on page 106–107.

MASTERTEMP® 125 HEATER (CONT'D)

BURNER SYSTEM REPLACEMENT PARTS




| Item | Part No. | Description | US List | Can. List | Qty. |
|----------------------|-------------|-----------------------------------------------------------------|---------|-----------|------|
| BURNER SYSTEM | | | | | |
| 1 | 42001-0051S | Combination Gas Control Valve Kit | 662.72 | 796.32 | 1 |
| 2 | 38404-4097S | 3/4 in. Union | 54.36 | 65.32 | 2 |
| 5 | 474978 | Air Blower Kit – Natural Gas | 1148.46 | 1379.99 | 1 |
| 5 | 474977 | Air Blower Kit - Propane | 1148.46 | 1379.99 | 1 |
| 6 | 474979 | Air Orifice Kit (Incl. Item Nos. 6, 7) | 65.27 | 78.43 | 1 |
| 14 | 474952 | Combustion Chamber Gasket Kit | 68.87 | 82.75 | 1 |
| 15 | 474990 | One Piece Metal Chamber/Combustion Chamber Assembly | 597.22 | 717.62 | 1 |
| 20 | 474958 | One Piece Metal Elbow/Combustion Chamber Cover Assembly, 9-Bolt | 732.14 | 879.74 | 1 |
| 21 | 42002-0005S | Metal Vent Cover | 199.47 | 239.68 | 1 |
| 22 | 42002-0034Z | Heater Top | 532.11 | 639.38 | 1 |
| 23 | 474991 | Side Panel (Service Panel) | 183.71 | 220.75 | 1 |
| 24 | 474992 | Side Panel (Manifold) | 261.82 | 314.60 | 1 |
| 25 | 42002-0031Z | Heater Bottom | 244.71 | 294.04 | 1 |
| 26 | 474993 | Side Panel (Flue Stack) | 215.84 | 259.35 | 1 |
| 27 | 42002-0041Z | J Box Cover | 27.18 | 32.66 | 1 |
| 28 | 474292 | 11 ea clips, 11 ea screws, 8 wing nuts | 33.97 | 40.82 | 1 |

| Item | Part No. | Description | US List | Can. List | Qty. |
|------------------|------------|-----------------------------------------------------------------------------|---------|-----------|------|
| NOT SHOWN | | | | | |
| | 474981 | Gas Orifice Kit - NG (Incl. Item Nos. 3 and 4) ** | 68.87 | 82.75 | 1 |
| | 474980 | Gas Orifice Kit - Propane (Incl. Item Nos. 3 and 4) ** | 68.87 | 82.75 | 1 |
| | 461063 | NG to Propane Conversion Kit (Incl. Item Nos. 3 and 4) ** | CALL | CALL | 1 |
| | 461062 | Gas Orifice Kit - Propane to NG Conversion Kit (Incl. Item Nos. 3 and 4) ** | CALL | CALL | 1 |
| | 77707-0011 | Blower/Adapter Plate Gasket Kit (Incl. Item Nos. 8, 9, 10, 12) | 98.28 | 118.09 | 1 |
| | 474994 | Flameholder Kit (Incl. Item Nos. 10, 11, 12, 13) | 229.65 | 275.95 | 1 |
| | 77707-0008 | Insulation Kit (Incl. Item Nos. 13, 14, 16, 17, 18, 19) | 237.96 | 285.93 | 1 |
| | 474845 | Direct Air Intake Duct Kit (MasterTemp 125) | 409.28 | 491.79 | 1 |

* Not available separately.

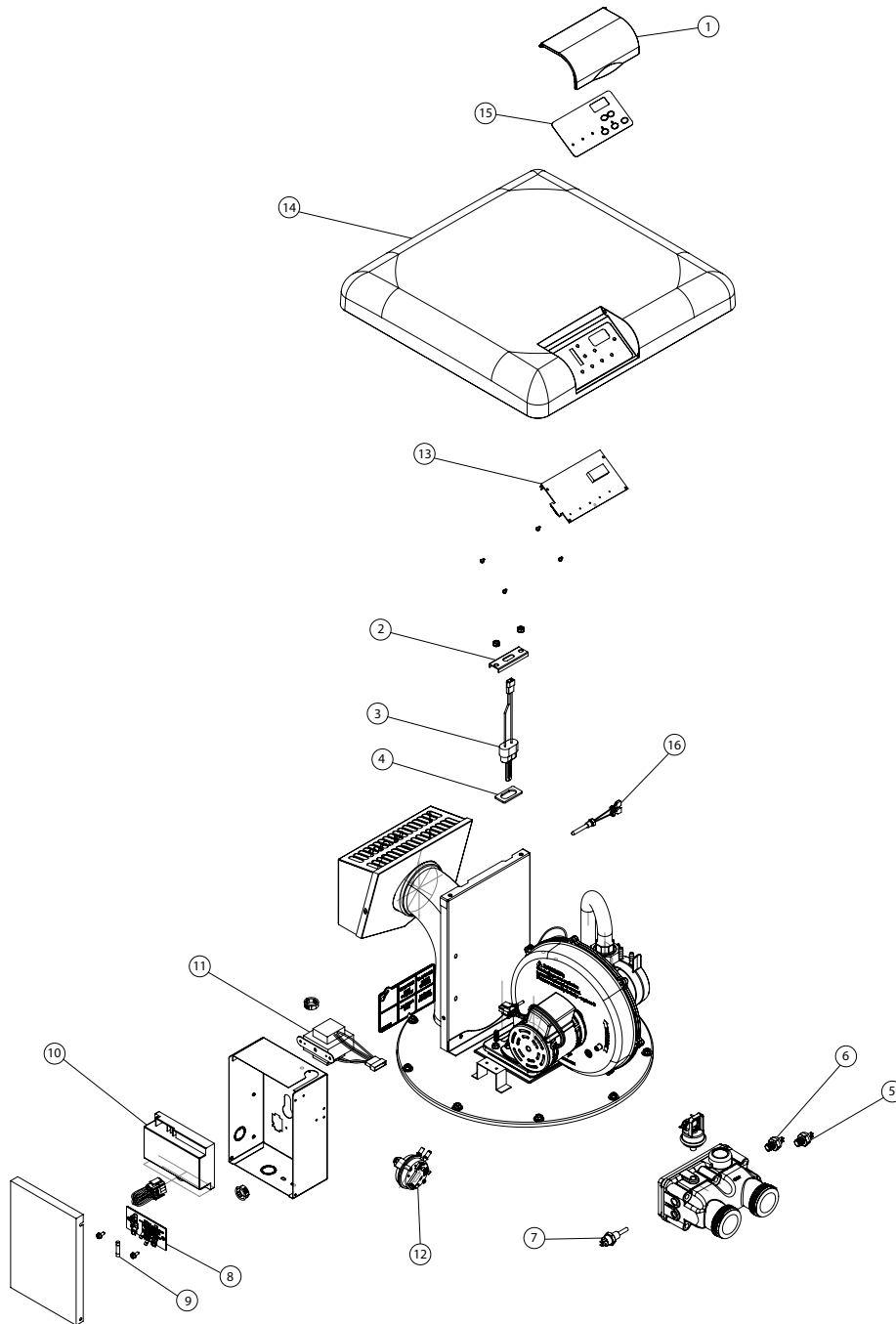
** Not included with heater. Order separately.

CALIFORNIA PROPOSITION 65 WARNING

 **WARNING:** Cancer and Reproductive Harm.
 **AVERTISSEMENT:** Peut Causer le Cancer et des Dommages au Système Reproducteur.
 **ADVERTENCIA:** Cáncer y Daño Reproductivo.
www.p65warnings.ca.gov

MASTERTEMP® 125 HEATER (CONT'D)

ELECTRICAL SYSTEM REPLACEMENT PARTS



Product on page 106–107.




CALIFORNIA PROPOSITION 65 WARNING
⚠ WARNING: Cancer and Reproductive Harm.
⚠ AVERTISSEMENT: Peut Causer le Cancer et des Dommages au Système Reproducteur.
⚠ ADVERTENCIA: Cáncer y Daño Reproductivo.
www.p65warnings.ca.gov PIR202174A

MASTERTEMP® 125 HEATER (CONT'D)

ELECTRICAL SYSTEM REPLACEMENT PARTS

| Item | Part No. | Description | US List | Can. List |
|--------------------------|-------------|----------------------------------------------------------------|---------|-----------|
| ELECTRICAL SYSTEM | | | | |
| 1 | 42002-0035Z | Heater Display Cover | 81.55 | 97.99 |
| 2 | 42001-0030S | Igniter Bracket | 81.55 | 97.99 |
| 3 | 77707-0054 | Igniter/Igniter Gasket Kit, Incl. Item Nos. 3 and 4) | 126.38 | 151.86 |
| 4 | 42001-0066S | Igniter Gasket | 81.55 | 97.99 |
| 5 | 42002-0025S | Automatic Gas Shutoff Switch (AGS) | 77.73 | 93.40 |
| 6 | 42001-0063S | High Limit Switch | 94.51 | 113.56 |
| 7 | 42001-0053S | Thermistor | 120.72 | 145.06 |
| 8 | 42001-0056S | Terminal Board | 81.55 | 97.99 |
| 9 | 32850-0099 | Fireman's Switch Fuse (1.25A, 1-1/4 in.) | 11.40 | 13.70 |
| 10 | 476223 | Ignition Control Module | 506.80 | 608.97 |
| 11 | 42001-0107S | Transformer, 115/230V | 103.09 | 123.87 |
| 12 | 42001-0061S | Air Flow Switch | 209.02 | 251.16 |
| 13 | 461105 | Control Board Kit (NA, LP Series) | 959.53 | 1152.97 |
| 14 | 42002-0034Z | Heater, Top | 532.11 | 639.38 |
| 15 | 472610Z | Five Button Membrane Keypad - for heaters made before 5/5/2021 | 209.41 | 251.63 |
| 15 | 461106 | Six Button Membrane Keypad - For heaters made after 5/6/2021 | 209.39 | 251.60 |
| 16 | 42002-0024S | Stack Flue Sensor | 181.64 | 218.26 |
| NOT SHOWN | | | | |
| | 461107 | Heater Wiring Harness -115/230V | 502.89 | 604.27 |
| | 42001-0105S | 120/240 Volt Plug Kit | 81.55 | 97.99 |

CALIFORNIA PROPOSITION 65 WARNING

 **WARNING:** Cancer and Reproductive Harm.
 **AVERTISSEMENT:** Peut Causer le Cancer et des Dommages au Système Reproducteur.
 **ADVERTENCIA:** Cáncer y Daño Reproductivo.
www.p65warnings.ca.gov

Product on page 106–107.

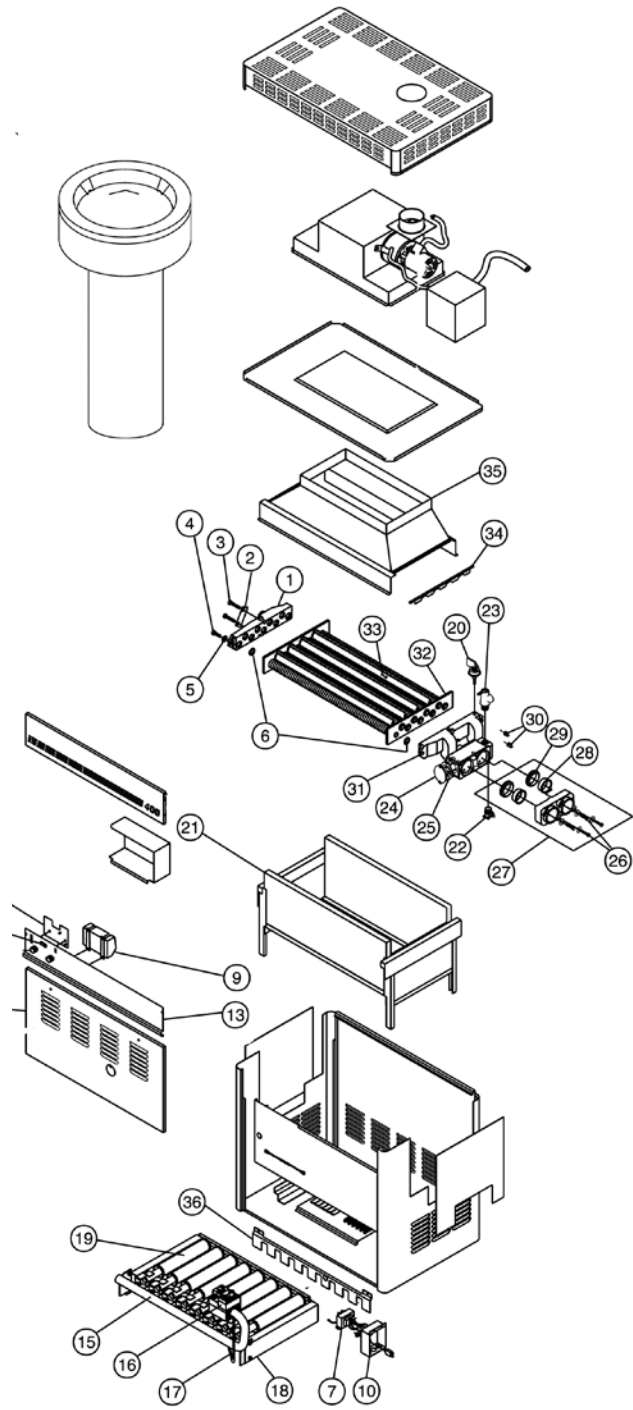
POWERMAX® HEATER

REPLACEMENT PARTS

| Item | Part No. | Mod. | Description | Qty. | US List | Can. List |
|-------------------------|----------|------|--------------------------------------------------------------|------|---------|-----------|
| POWERMAX® HEATER | | | | | | |
| 1 | 070994 | | Return header ¹ | 1 | CALL | CALL |
| 2 | 074216 | | Bracket washer ¹ | 2 | CALL | CALL |
| 3 | 073739 | | Bolt, hh. 3/8 in. x 2 in. ¹ | 4 | 2.26 | 2.72 |
| 4 | 070416 | | Bolt, 3/8, 16 x 1-1/2 in. ¹ | 4 | 2.14 | 2.57 |
| 5 | 072180 | | Washer 3/8 in. i.d., 1 in. o.d. ¹ | 4 | 2.14 | 2.57 |
| 6 | 070951 | | Tube seal gasket ¹ | 18 | 2.19 | 2.63 |
| 7 | 471360 | | Transformer w/ circuit breaker, dual voltage ¹ | 1 | 112.64 | 135.35 |
| 8 | 470179 | | Electronic thermostat circuit board, IID models ¹ | 1 | 335.03 | 402.57 |
| 9 | 073584 | | Module natural gas ¹ | 1 | 503.58 | 605.10 |
| 9 | 073585 | | Module propane gas ¹ | 1 | 520.07 | 624.92 |
| 10 | 470122 | | Junction box, IID units ¹ | 1 | 51.95 | 62.42 |
| 11 | 470184 | | Thermostat knob ¹ | 2 | 19.51 | 23.44 |
| 12 | 470186 | | Switch rocker, snl. pole & dbl. throw ¹ | 1 | 19.13 | 22.99 |

| CONTROL PANEL ASSEMBLY, COMPLETE | | | | | | |
|-----------------------------------------|--------|-----|-------------------------------------|---|--------|--------|
| 14 | 075468 | 150 | Door, IID | 1 | 175.08 | 210.38 |
| 14 | 075604 | 200 | Door, IID | 1 | 253.78 | 304.94 |
| 14 | 075488 | 250 | Door, IID | 1 | 187.27 | 225.02 |
| 14 | 075606 | 350 | Door, IID | 1 | 327.84 | 393.93 |
| 14 | 075490 | 400 | Door, IID | 1 | 342.82 | 411.93 |
| 15 | 070256 | 150 | Manifold burner | 1 | 92.94 | 111.68 |
| 15 | 075525 | 200 | Manifold burner | 1 | 98.91 | 118.85 |
| 15 | 070257 | 250 | Manifold burner | 1 | 104.33 | 125.36 |
| 15 | 075526 | 300 | Manifold burner | 1 | 110.96 | 133.33 |
| 15 | 075527 | 350 | Manifold burner | 1 | 111.38 | 133.83 |
| 15 | 070258 | 400 | Manifold burner | 1 | 123.31 | 148.17 |
| 16 | 073998 | | Gas valve natural, IID ¹ | 1 | 569.42 | 684.22 |
| 16 | 073999 | | Gas valve propane, IID ¹ | 1 | 569.42 | 684.22 |
| 17 | 075191 | | Pilot tube, IID ² | 1 | CALL | CALL |
| 17 | 075192 | | Pilot tube, IID ³ | 1 | CALL | CALL |
| 17 | 075193 | | Pilot tube, IID ⁴ | 1 | CALL | CALL |

| BURNER TRAY ASSEMBLY, COMPLETE | | | | | | |
|---------------------------------------|--------|-----|--------------|---|------|------|
| 18 | 073752 | 150 | Natural, IID | 1 | CALL | CALL |
| 18 | 075499 | 200 | Natural, IID | 1 | CALL | CALL |
| 18 | 073751 | 250 | Natural, IID | 1 | CALL | CALL |
| 18 | 075500 | 300 | Natural, IID | 1 | CALL | CALL |
| 18 | 075501 | 350 | Natural, IID | 1 | CALL | CALL |
| 18 | 073750 | 400 | Natural, IID | 1 | CALL | CALL |



| OPTIONAL OUTDOOR VENT | | | |
|------------------------------|-----------------|------|------|
| 471395 | Models 150, 200 | CALL | CALL |
| 471396 | Models 250, 400 | CALL | CALL |

CALIFORNIA PROPOSITION 65 WARNING
 ⚠️ **WARNING:** Cancer and Reproductive Harm.
 ⚠️ **AVERTISSEMENT:** Peut Causer le Cancer et des Dommages au Système Reproducteur.
 ⚠️ **ADVERTENCIA:** Cáncer y Daño Reproductivo.
www.p65warnings.ca.gov PH 202114

POWERMAX® HEATER (CONT'D)

REPLACEMENT PARTS

| Item | Part No. | Mod. | Description | Qty. | US List | Can. List |
|----------------------------------------------|----------|------|-----------------------------------------------------|------|---------|-----------|
| BURNER TRAY ASSEMBLY, COMPLETE | | | | | | |
| 18 | 073906 | 150 | Propane, IID | 1 | CALL | CALL |
| 18 | 075508 | 200 | Propane, IID | 1 | CALL | CALL |
| 18 | 073905 | 250 | Propane, IID | 1 | CALL | CALL |
| 18 | 075509 | 300 | Propane, IID | 1 | CALL | CALL |
| 18 | 075510 | 350 | Propane, IID | 1 | CALL | CALL |
| 18 | 073904 | 400 | Propane, IID | 1 | CALL | CALL |
| 19 | 070230 | | Burner ¹ | 8 | CALL | CALL |
| 19a | 470550 | | Burner w/ pilot bracket ¹ | 1 | CALL | CALL |
| 20 | 470190 | | Pressure switch ¹ | 1 | CALL | CALL |
| COMBUSTION CHAMBER ASSEMBLY, COMPLETE | | | | | | |
| 21 | 073858 | 150 | Assembly | 1 | CALL | CALL |
| 21 | 075586 | 200 | Assembly | 1 | 814.72 | 978.97 |
| 21 | 073857 | 250 | Assembly | 1 | CALL | CALL |
| 21 | 075587 | 300 | Assembly | 1 | 929.92 | 1117.39 |
| 21 | 075588 | 350 | Assembly | 1 | 909.33 | 1092.65 |
| 21 | 073856 | 400 | Assembly | 1 | 1021.69 | 1227.66 |
| 22 | 072134 | | Valve drain 3/4 in. ¹ | 1 | 45.14 | 54.24 |
| 23 | 072138 | | Valve relief 3/4 in. 50# ^{1,7} | 1 | 124.98 | 150.18 |
| 24 | 471424 | | Flow valve assembly standard, complete ¹ | 1 | 233.97 | 281.14 |
| 24 | 073989 | | Flow valve assembly ASME, complete ¹ | 1 | CALL | CALL |
| 25 | 074015 | | Flow valve gasket ¹ | 4 | 8.65 | 10.39 |
| 26 | 075492 | | Bolt 3/8, 16 x 2-1/2 ¹ | 2 | CALL | CALL |
| 27 | 075284 | | Quick flange kit ¹ | 1 | CALL | CALL |
| 28 | 070544 | | Bushing in/out Lexan ¹ | 2 | 8.39 | 10.08 |
| 29 | 071895 | | Sleeve, rubber in/out 2 in. ¹ | 2 | 15.83 | 19.02 |
| 30 | 071017 | | Safety shut-off ¹ | 2 | 69.81 | 83.88 |
| 31 | 070985 | | Main header, in/out ¹ | 1 | CALL | CALL |
| HEAT EXCHANGER, WITH HEADS | | | | | | |
| 32 | 470364 | 150 | Heat exchanger | 1 | CALL | CALL |
| 32 | 470365 | 200 | Heat exchanger | 1 | CALL | CALL |
| 32 | 470366 | 250 | Heat exchanger | 1 | CALL | CALL |
| 32 | 470367 | 300 | Heat exchanger | 1 | CALL | CALL |
| 32 | 470368 | 350 | Heat exchanger | 1 | CALL | CALL |
| 32 | 470369 | 400 | Heat exchanger | 1 | CALL | CALL |
| HEAT EXCHANGER, WITHOUT HEADS | | | | | | |
| 32 | 074452 | 150 | Heat exchanger | 1 | CALL | CALL |
| 32 | 075628 | 200 | Heat exchanger | 1 | CALL | CALL |
| 32 | 074451 | 250 | Heat exchanger | 1 | 1691.28 | 2032.24 |
| 32 | 075629 | 300 | Heat exchanger | 1 | 1707.19 | 2051.36 |
| 32 | 075630 | 350 | Heat exchanger | 1 | 1870.13 | 2247.15 |
| 32 | 074074 | 400 | Heat exchanger | 1 | 2060.20 | 2475.54 |
| 33 | 070277 | 150 | Baffle | 8 | CALL | CALL |
| 33 | 075559 | 200 | Baffle | 8 | 8.39 | 10.08 |
| 33 | 070276 | 250 | Baffle | 8 | CALL | CALL |
| 33 | 075560 | 300 | Baffle | 8 | 9.30 | 11.17 |
| 33 | 070277 | 350 | Baffle | 16 | CALL | CALL |
| 33 | 070278 | 400 | Baffle | 16 | CALL | CALL |

| Item | Part No. | Mod. | Description | Qty. | US List | Can. List |
|--------------------------------------------------|----------|------|------------------------------------------------------|------|---------|-----------|
| 34 | 472329 | | Baffle hld. down, 2 baffles on 400, 350 | 1 | 15.38 | 18.48 |
| 35 | 073864 | 150 | Flue collector | 1 | 290.44 | 348.99 |
| 35 | 075622 | 200 | Flue collector | 1 | CALL | CALL |
| 35 | 073863 | 250 | Flue collector | 1 | CALL | CALL |
| 35 | 075623 | 300 | Flue collector | 1 | CALL | CALL |
| 35 | 075624 | 350 | Flue collector | 1 | CALL | CALL |
| 35 | 073862 | 400 | Flue collector | 1 | CALL | CALL |
| LIGHTBACK SHIELD (NATURAL GAS UNITS ONLY) | | | | | | |
| 36 | 075783 | 150 | Lightback shield | 2 | CALL | CALL |
| 36 | 075784 | 200 | Lightback shield | 2 | CALL | CALL |
| 36 | 075785 | 250 | Lightback shield | 2 | 46.98 | 56.45 |
| 36 | 075786 | 300 | Lightback shield | 2 | CALL | CALL |
| 36 | 075787 | 350 | Lightback shield | 2 | 47.47 | 57.04 |
| 36 | 075788 | 400 | Lightback shield | 2 | 53.81 | 64.66 |
| NOT SHOWN | | | | | | |
| | 070715 | | Plastic mounting bracket ¹ | | 2.14 | 2.57 |
| | 470965 | | Wire kit, harness IID, complete ¹ | | CALL | CALL |
| | 071703 | | Screw, 8 x 1/4 in. hh. ¹ | | CALL | CALL |
| | 071698 | | Screw, 8 x 1/2 in. hh. ¹ | | 2.14 | 2.57 |
| | 071716 | | Screw, 6 x 1/4 in. ¹ | | 2.14 | 2.57 |
| | 071659 | | Screw, 10-32 x 1/4 in. ¹ | | CALL | CALL |
| | 075692 | | Screw, 10-32 x 3/16 ¹ | | CALL | CALL |
| | 070551 | | Bushing, 1/2 in. ¹ | | CALL | CALL |
| | 470414 | | Therm. knob stopper ¹ | 2 | 11.52 | 13.84 |
| | 472330 | | Power element, flow-valve ¹ | 1 | 233.94 | 281.10 |
| | 073725 | | Bolt 5/16, 18 x 3/4 in. ¹ | 2 | 2.34 | 2.81 |
| | 073727 | | Orifice main burner natural ^{1,6} | | 10.47 | 12.58 |
| | 073728 | | Orifice main burner propane ^{1,6} | | CALL | CALL |
| | 471204 | | Pilot, natural, IID ¹ | 1 | 180.62 | 217.03 |
| | 471205 | | Pilot, propane, IID ¹ | 1 | 180.62 | 217.03 |
| | 075173 | | Thermal cut-off ¹ | 1 | 32.49 | 39.04 |
| | 470180 | | Thermistor, probe, complete, IID Models ¹ | 1 | 69.86 | 83.94 |
| | 470181 | | Stem, thermostat control, IID models | 2 | 8.39 | 10.08 |

¹ Part No. used in Model Nos., 150, 200, 250, 300, 350, 400.

² Part No. used in Model Nos., 150, 200.

³ Part No. used in Model Nos., 250, 300.

⁴ Part No. used in Model Nos., 350, 400.

⁵ Part No. used in Model Nos., 150, 250, 300, 350, 400.

⁶ Qty. = Model N or P 150 (3 ea.), 200 (4 ea.), 250 (5 ea.), 300 (6 ea.), 350 (7 ea.), 400 (8 ea.).

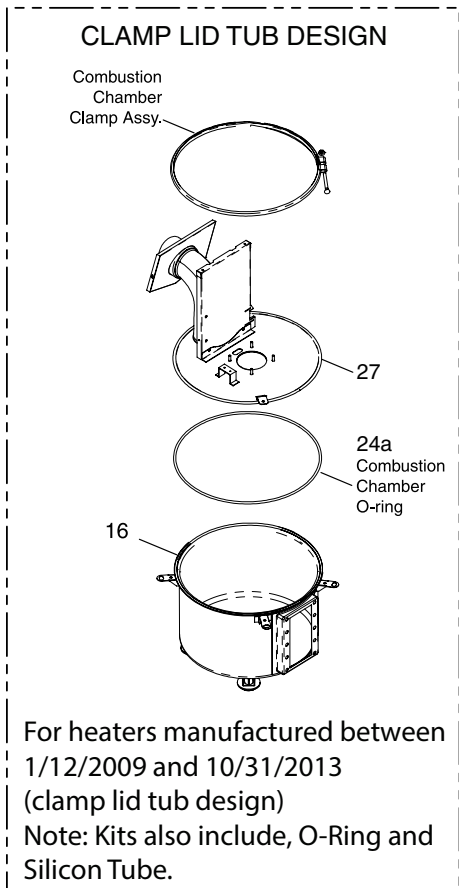
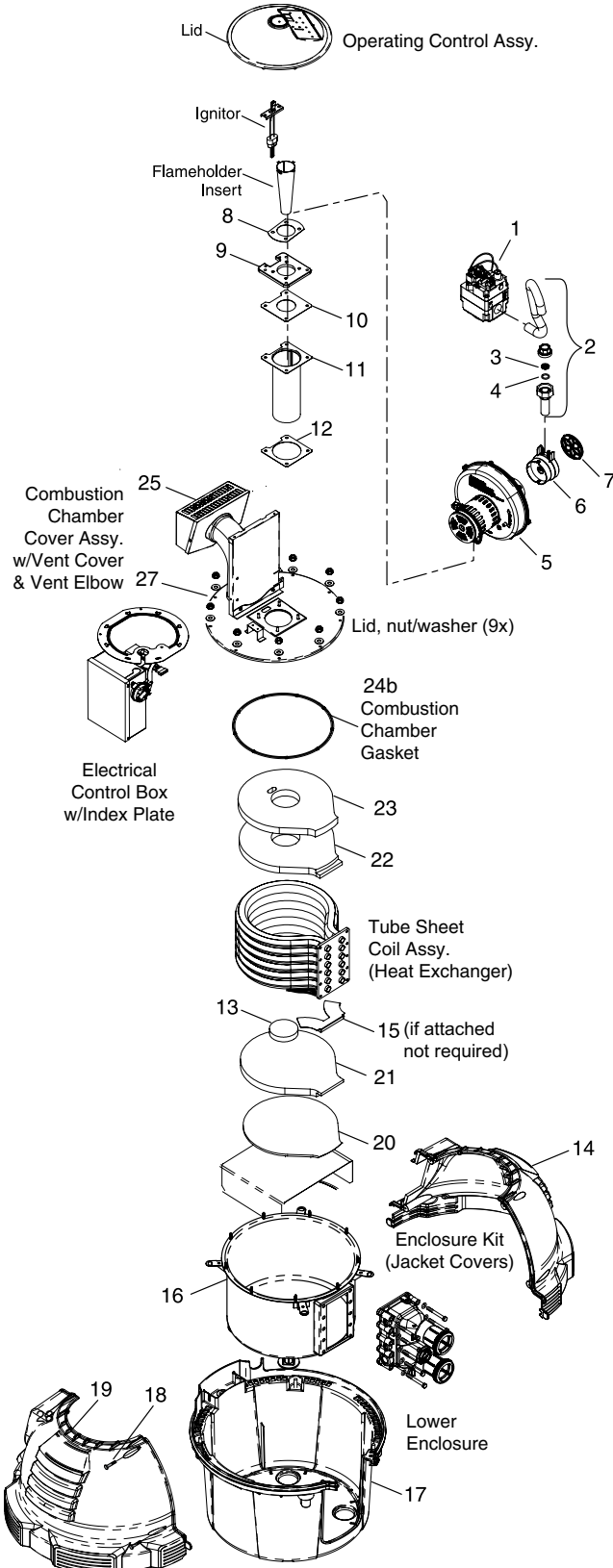
⁷ ASME or Local Code.

⁸ Qty. = Model 150 (2 ea.), 200 (3 ea.), 250 (4 ea.), 300 (5 ea.), 350 (6 ea.), 400 (7 ea.).

⁹ Previously Manufactured Model.

MAX-E-THERM® HEATER

BURNER SYSTEM REPLACEMENT PARTS



CALIFORNIA PROPOSITION 65 WARNING

⚠️ **WARNING:** Cancer and Reproductive Harm.

⚠️ **AVERTISSEMENT:** Peut Causer le Cancer et des Dommages au Système Reproducteur.

⚠️ **ADVERTENCIA:** Cáncer y Daño Reproductivo.

www.p65warnings.ca.gov. PK28171A

Product on page 108–109.

MAX-E-THERM® HEATER (CONT'D)

BURNER SYSTEM REPLACEMENT PARTS



| Item | Part No. | Description | US List | Can. List |
|----------------------------------|-------------|-----------------------------------------------------------------------------|---------|-----------|
| MAX-E-THERM BURNER SYSTEM | | | | |
| 1 | 42001-0051S | Combination Gas Control Valve Kit | 662.72 | 796.32 |
| 2 | 38404-4097S | 3/4 in. Union | 54.36 | 65.32 |
| 5 | 77707-0251 | Air Blower Kit, Natural - 200NA Model (Single Volt Blower Adapter Included) | 1253.06 | 1505.68 |
| 5 | 77707-0252 | Air Blower Kit, Natural - 333NA Model (Single Volt Blower Adapter Included) | 1253.06 | 1505.68 |
| 5 | 77707-0253 | Air Blower Kit, Natural - 400NA Model (Single Volt Blower Adapter Included) | 1253.06 | 1505.68 |
| 5 | 77707-0254 | Air Blower Kit, Propane - 200LP Model (Single Volt Blower Adapter Included) | 1253.06 | 1505.68 |
| 5 | 77707-0255 | Air Blower Kit, Propane - 333LP Model (Single Volt Blower Adapter Included) | 1253.06 | 1505.68 |
| 5 | 77707-0256 | Air Blower Kit, Propane - 400LP Model (Single Volt Blower Adapter Included) | 1253.06 | 1505.68 |
| 14 | 77707-0002 | Enclosure Kit, Upper Right-Hand | 329.75 | 396.23 |
| 16 | 474095 | One Piece Metal Chamber/Combustion Chamber Assembly ² | 1033.24 | 1241.54 |
| 16 | 474957 | One Piece Metal Chamber/Combustion Chamber Assembly ¹ | 643.08 | 772.72 |
| 17 | 42001-0001S | Lower Enclosure | 803.47 | 965.45 |
| 19 | 77707-3200N | Enclosure Kit, Upper Left-Hand - Natural (200) | 343.64 | 412.92 |
| 19 | 77707-3333N | Enclosure Kit, Upper Left-Hand - Natural (333) | 343.64 | 412.92 |
| 19 | 77707-3400N | Enclosure Kit, Upper Left-Hand - Natural (400) | 343.64 | 412.92 |
| 19 | 77707-3200L | Enclosure Kit, Upper Left-Hand - Propane (200) | 343.64 | 412.92 |
| 19 | 77707-3333L | Enclosure Kit, Upper Left-Hand - Propane (333) | 343.64 | 412.92 |
| 19 | 77707-3400L | Enclosure Kit, Upper Left-Hand - Propane (400) | CALL | CALL |
| 24a | 474201 | Combustion Chamber O-Ring Kit ² | 73.53 | 88.35 |
| 24b | 474952 | Combustion Chamber O-Ring Kit ¹ | 68.87 | 82.75 |
| 27 | 474094 | One Piece Metal Elbow/Combustion Chamber Cover Assembly ² | 1169.20 | 1404.91 |
| 27 | 474958 | One Piece Metal Elbow/Combustion Chamber Cover Assembly ¹ | 732.14 | 879.74 |
| 28 | 42002-0005S | Metal Vent Cover | 199.47 | 239.68 |
| 29 | 42001-0074S | Kit Lower Enclosure Insulation | 83.57 | 100.42 |

| Item | Part No. | Description | US List | Can. List |
|------------------|-------------|-----------------------------------------------------------------------------|---------|-----------|
| NOT SHOWN | | | | |
| | 77707-0431 | Gas Orifice Kit - Natural - 200 Model (Incl. 3 & 4)* | 82.96 | 99.68 |
| | 77707-0421 | Gas Orifice Kit - Natural - 333 Model (Incl. 3 & 4)* | 82.96 | 99.68 |
| | 77707-0411 | Gas Orifice Kit - Natural - 400 Model (Incl. 3 & 4)* | 82.96 | 99.68 |
| | 77707-0461 | Gas Orifice Kit - Propane - 200 Model (Incl. 3 & 4)* | 82.96 | 99.68 |
| | 77707-0451 | Gas Orifice Kit - Propane - 333 Model (Incl. 3 & 4)* | 82.96 | 99.68 |
| | 77707-0441 | Gas Orifice Kit - Propane - 400 Model (Incl. 3 & 4)* | 82.96 | 99.68 |
| | 77707-1461 | NG to Propane Conversion Kit - 200 Model (Incl. 3 & 4)* | 85.78 | 103.07 |
| | 77707-1451 | NG to Propane Conversion Kit - 333 Model (Incl. 3 & 4)* | 85.78 | 103.07 |
| | 77707-1441 | NG to Propane Conversion Kit - 400 Model (Incl. 3 & 4)* | 85.78 | 103.07 |
| | 77707-1431 | Propane to NG Conversion Kit - 200 Model (Incl. 3 & 4)* | 85.78 | 103.07 |
| | 77707-1421 | Propane to NG Conversion Kit - 333 Model (Incl. 3 & 4)* | 85.78 | 103.07 |
| | 77707-1411 | Propane to NG Conversion Kit - 400 Model (Incl. 3 & 4)* | 85.78 | 103.07 |
| | 77707-0111 | Air Orifice Kit - (Incl. 6 & 7, 200 Model Only) | 99.80 | 119.92 |
| | 77707-0112 | Air Orifice Kit - (Incl. 6 & 7, 333 Model Only) | 99.80 | 119.92 |
| | 77707-0113 | Air Orifice Kit - (Incl. 6 & 7, 400 Model Only) | 99.80 | 119.92 |
| | 77707-0011 | Blower/Adapter Plate Gasket Kit - (Incl. 8, 9, 10, & 12) | 98.28 | 118.09 |
| | 77707-0202 | Flameholder Kit - 200 Model (Incl. 10, 11, 12 & 13) | 233.54 | 280.62 |
| | 77707-0203 | Flameholder Kit - 333 Model (Incl. 10, 11, 12, 13, & Flameholder Insert) | 262.73 | 315.70 |
| | 77707-0204 | Flameholder Kit - 400 Model (Incl. 10, 11, 12, 13, & Flameholder Insert) | 306.50 | 368.29 |
| | 42001-0074S | Lower Enclosure Insulation | 83.57 | 100.42 |
| | 77707-0008 | Insulation Kit (Incl. 13, 15, 20, 21, 22, 23, 24, 25, 26) | 237.96 | 285.93 |
| | 77707-0112 | Air Orifice Kit 333 Model | 99.80 | 119.92 |
| | 77707-0113 | Air Orifice Kit 400 Model | 99.80 | 119.92 |
| | 461100 | Pro Service Package - Master Commonly replaced items in a reusable hardcase | 1709.38 | 2053.99 |

* Not included with heater. Order separately.

¹ For Heaters Manufactured after 11/16/13 (New 9-Bolt Lid Tub Design).

² For Heaters Manufactured after 1/12/09 (Clamp Lid Tub Design).

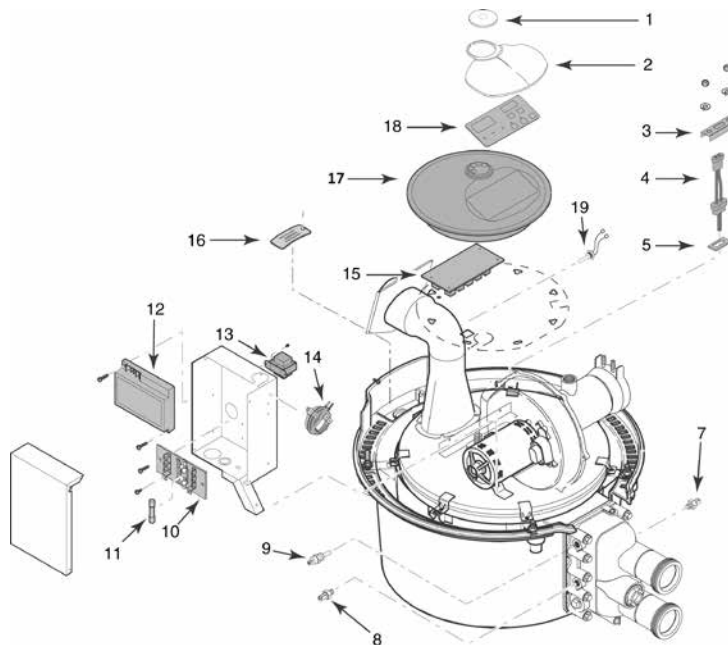
Note: Kits include Clamp assembly, O-ring and silicone tube.

CALIFORNIA PROPOSITION 65 WARNING

WARNING: Cancer and Reproductive Harm.
AVERTISSEMENT: Peut Causer le Cancer et des Dommages au Système Reproducteur.
ADVERTENCIA: Cáncer y Daño Reproductivo.
www.p65warnings.ca.gov

MAX-E-THERM® HEATER

ELECTRICAL SYSTEM REPLACEMENT PARTS



| Item | Part No. | Description | Qty. | US List | Can. List |
|--------------------------------------|-------------|------------------------------------------------------------|------|---------|-----------|
| MAX-E-THERM ELECTRICAL SYSTEM | | | | | |
| 1 | 77707-0009 | Display Cover Retainer Cap Kit, Cap and CPSC Warning Label | 1 | 108.77 | 130.70 |
| 2 | 42001-0008S | Heater Display Cover | 1 | 61.14 | 73.47 |
| 3 | 42001-0030S | Igniter Bracket | 1 | 81.55 | 97.99 |
| 4 | 77707-0054 | Igniter/Igniter Gasket Kit (Incl. Key Nos. 4 and 5) | 1 | 126.38 | 151.86 |
| 5 | 42001-0066S | Igniter Gasket | 1 | 81.55 | 97.99 |
| 7 | 42002-0025S | Automatic Gas Shutoff Switch (AGS) | 1 | 77.73 | 93.40 |
| 8 | 42001-0063S | High Limit Switch | 1 | 94.51 | 113.56 |
| 9 | 42001-0053S | Thermistor | 1 | 120.72 | 145.06 |
| 10 | 42001-0056S | Terminal Board | 1 | 81.55 | 97.99 |
| 11 | 32850-0099 | Fireman's Switch Fuse (1.25A, 1-1/4 in.) | 1 | 11.40 | 13.70 |
| 12 | 476223 | Ignition Control Module | 1 | 506.80 | 608.97 |
| 13 | 42001-0107S | Transformer, 115/230V | 1 | 103.09 | 123.87 |
| 13 | 42001-0057S | Transformer 120/240V, Single Adapter Only* | 1 | 97.34 | 116.96 |
| 14 | 42001-0061S | Air Flow Switch | 1 | 209.02 | 251.16 |
| 15 | 461105 | Control Board Kit (NA, LP Series) | 1 | 959.53 | 1152.97 |
| 16 | 77707-0022 | Junction Box Cover Kit | 1 | 81.55 | 97.99 |

| Item | Part No. | Description | Qty. | US List | Can. List |
|------------------|-------------|----------------------------------------------------------------------------------------------------------------------------------------------------------------------|------|---------|-----------|
| 17 | 77707-0013 | Enclosure for Control Board (Incl. #17, 18) | 1 | 410.41 | 493.15 |
| 18 | 472610Z | Five Button Membrane Keypad - for heaters made before 5/5/2021 | 1 | 209.41 | 251.63 |
| 18 | 461106 | Six Button Membrane Keypad - For heaters made after 5/6/2021 | 1 | 209.39 | 251.60 |
| 19 | 42002-0024S | Stack Flue Sensor | 1 | 181.64 | 218.26 |
| 19b | 42002-0009 | Stack Flue Switch | 1 | CALL | CALL |
| NOT SHOWN | | | | | |
| | 461107 | Heater Wiring Harness - 115/230V | 1 | 502.89 | 604.27 |
| | 42001-0105S | 120/240 Volt Plug Kit | 1 | 81.55 | 97.99 |
| | 42002-0009 | Temp Probe | | CALL | CALL |
| | 42001-0057S | Transformer 120/240 (Dual and Single Adapter) | 1 | 97.34 | 116.96 |
| | 42001-0247 | Blower Adapter Dual/Single Volt | 1 | 59.04 | 70.94 |
| | 461101 | Pro Service Page - Electrical Parts (includes items in a reusable hardcase: 4, 7 qty (2), 8 qty (2), 9 qty (2), 11 qty (3), 14, 19, not shown water pressure switch) | | 743.21 | 893.04 |

CALIFORNIA PROPOSITION 65 WARNING

⚠ WARNING: Cancer and Reproductive Harm.
⚠ AVERTISSEMENT: Peut Causer le Cancer et des Dommages au Système Reproducteur.
⚠ ADVERTENCIA: Cáncer y Daño Reproductivo.
www.p65warnings.ca.gov

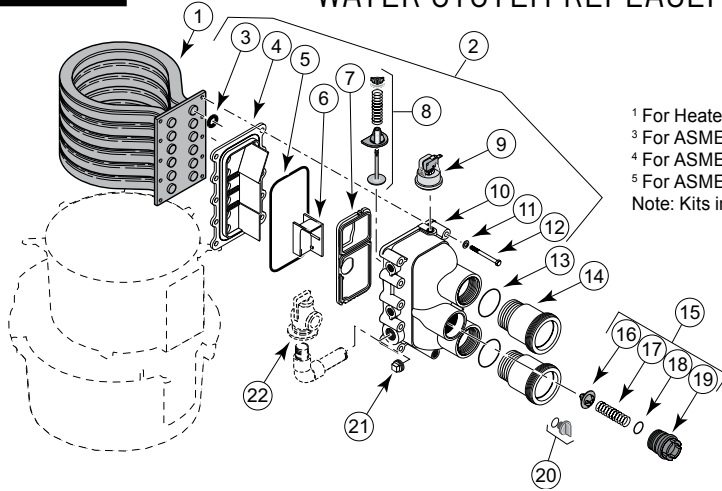
* For single voltage wire harness heaters prior to 2004.

Product on page 108–109.



MAX-E-THERM® HEATER

WATER SYSTEM REPLACEMENT PARTS



¹ For Heaters Manufactured after 1/12/09
³ For ASME Heaters Manufactured After 3/24/09 (Tub Design w/Clamp Ring).
⁴ For ASME Heaters Manufactured Prior to 10/2012 (Old Header Design).
⁵ For ASME Heaters Manufactured After 11/16/13 (New 9-Bolt Tub Design).
 Note: Kits include Clamp, O-rings, Insulation, Igniter and Blower Gaskets.

CALIFORNIA PROPOSITION 65 WARNING
 ⚠️ **WARNING:** Cancer and Reproductive Harm.
 ⚠️ **AVERTISSEMENT:** Peut Causer le Cancer et des Dommages au Système Reproducteur.
 ⚠️ **ADVERTENCIA:** Cáncer y Daño Reproductivo.
www.p65warnings.ca.gov PK 201714

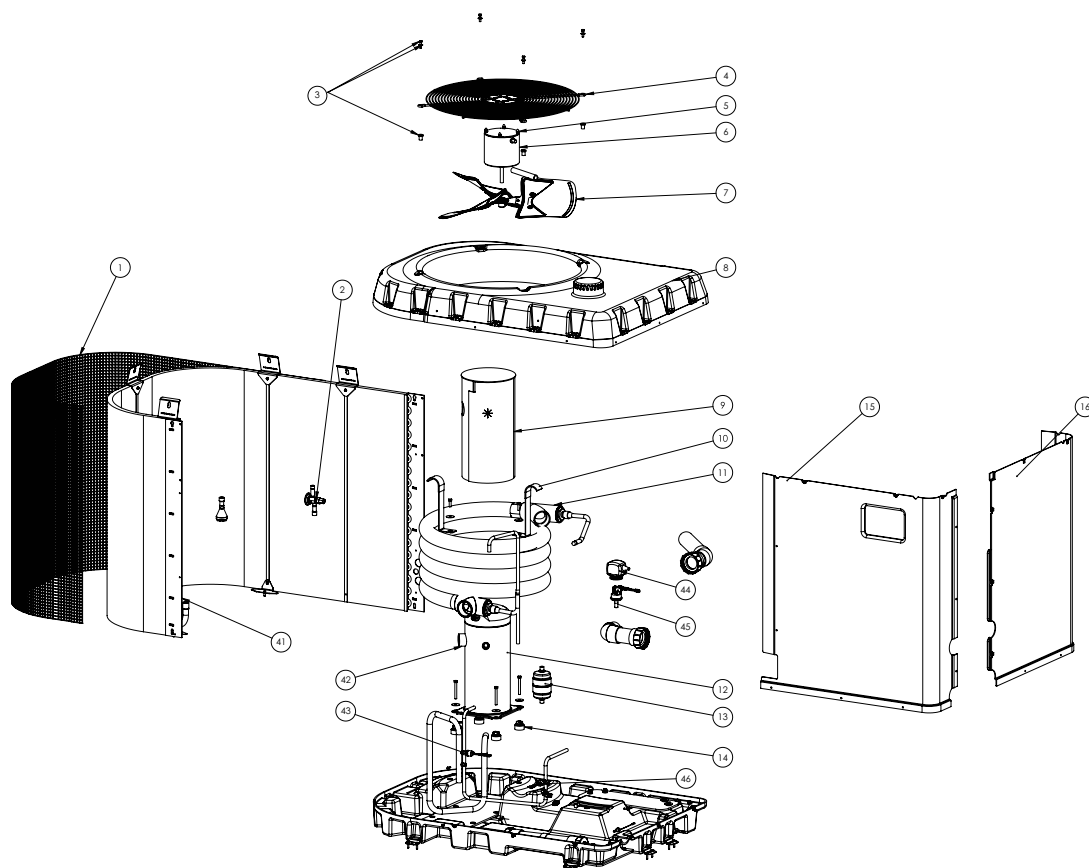
| Item | Part No. | Description | US List | Can. List |
|---------------------------------|------------|----------------------------------------------------------------------------------------------|---------|-----------|
| MAX-E-THERM WATER SYSTEM | | | | |
| 1 | 77707-0232 | Tube Sheet Coil Assembly Kit (NA, LP Series) (Incl. No. 3) - 200 Models | 1321.85 | 1588.33 |
| 1 | 474058 | Tube Sheet Coil Assembly Kit (NA, LP Series) (Incl. No. 3) - 200 Models ¹ | 1374.74 | 1651.89 |
| 1 | 77707-0233 | Tube Sheet Coil Assembly Kit (NA, LP Series) (Incl. No. 3) - 333 Models | 1850.58 | 2223.66 |
| 1 | 474060 | Tube Sheet Coil Assembly Kit (NA, LP Series) (Incl. No. 3) - 333 Models ¹ | 1903.50 | 2287.25 |
| 1 | 77707-0234 | Tube Sheet Coil Assembly Kit (NA, LP Series) (Incl. No. 3) - 400 Models | 2062.07 | 2477.78 |
| 1 | 474061 | Tube Sheet Coil Assembly Kit (NA, LP Series) (Incl. No. 3) - 400 Models ¹ | 2273.59 | 2731.95 |
| 1 | 77707-0242 | Tube Sheet Coil Assembly Kit (HD Series) (Incl. No. 3) - 200 Models | 1922.44 | 2310.00 |
| 1 | 474062 | Tube Sheet Coil Assembly Kit (HD Series) (Incl. No. 3) - 200 Models ¹ | 2664.68 | 3201.88 |
| 1 | 77707-0243 | Tube Sheet Coil Assembly Kit (HD Series) (Incl. No. 3) - 333 Models | 2855.21 | 3430.82 |
| 1 | 474064 | Tube Sheet Coil Assembly Kit (HD Series) (Incl. No. 3) - 333 Models ¹ | 3119.59 | 3748.50 |
| 1 | 77707-0244 | Tube Sheet Coil Assembly Kit (HD Series) (Incl. No. 3) - 400 Models | 3331.06 | 4002.60 |
| 1 | 474065 | Tube Sheet Coil Assembly Kit (HD Series) (Incl. No. 3) - 400 Models ¹ | 3436.84 | 4129.71 |
| 2 | 77707-0014 | Manifold Kit (Incl. Nos. 3-14, 20-21, and 7-9 in "Electrical System" (Page 300) - 200 Models | 971.39 | 1167.22 |
| 2 | 77707-0015 | Manifold Kit (Incl. Nos. 3-14, 20-21, and 7-9 in "Electrical System" (Page 300) - 333 Models | 971.39 | 1167.22 |
| 2 | 77707-0016 | Manifold Kit (Incl. Nos. 3-14, 20-21, and 7-9 in "Electrical System" (Page 300) - 400 Models | 971.39 | 1167.22 |
| 2 | 474200 | Basic Manifold Kit (Incl. Nos. 3, 10-14) | 309.93 | 372.41 |
| 3 | 77707-0117 | Coil/Tubesheet Sealing O-Ring Kit - 200 Model (6) | 81.55 | 97.99 |

| Item | Part No. | Description | US List | Can. List |
|------|-------------|--------------------------------------------------------------------------------------------------------------------------------------------------------------------------|---------|-----------|
| 3 | 77707-0118 | Coil/Tubesheet Sealing O-Ring Kit - 333 Model (10) | 81.55 | 97.99 |
| 3 | 77707-0119 | Coil/Tubesheet Sealing O-Ring Kit - 400 Model (12) | 81.55 | 97.99 |
| 8 | 77707-0001 | Manifold Bypass Valve Package | 86.43 | 103.85 |
| 9 | 42001-0060S | Water Pressure Switch | 124.75 | 149.90 |
| 13 | U9-266 | O-Ring | 5.18 | 6.22 |
| 14 | 77707-0017 | Connector Tube Kit (Includes 1 Connector Tube and 1 O-Ring) | 82.89 | 99.60 |
| 15 | 77707-0010 | Thermal Regulator Kit (Incl. Key 16-19 and Spring Clip) | 157.88 | 189.71 |
| 16 | 38000-0007S | Thermal Regulator (Includes Spring Clip) | 108.77 | 130.70 |
| 18 | 35505-1313 | Thermal Regulator Cap O-ring (O-ring only) | 6.96 | 8.36 |
| 20 | U178-920PZ | Drain Plug | 7.57 | 9.10 |
| 21 | U78-60ZPS | 3/4 in. Pipe Plug | 9.60 | 11.54 |
| 22 | 473715Z | Kit Pressure Relief Valve | 238.36 | 286.41 |
| 23 | PKG 188Z | 2 in. Union Adapter Package (includes 2) | 45.59 | 54.78 |
| | 461102 | Pro Service Package - Water System Parts (Includes items in reusable hard case; #8, #9, #15, not shown - Thermistor qty(2), High Limit Switch qty(2), AGS Switch qty(2)) | 594.56 | 714.42 |

| ASME KITS | | | | |
|------------------|------------|---------------------------------------------------------------------------------------------------|---------|---------|
| | 472648Z | Bypass Access Plug (Old Header Design ASME) | 560.14 | 673.06 |
| | 77707-0120 | O-Ring Kit (Incl. Nos. 3, 5) | 69.49 | 83.50 |
| | 474096 | Heat Exchanger Kit - 400 ASME ³ | 4705.80 | 5654.49 |
| | 474956 | Heat Exchanger Kit ⁵ - 400 ASME | 4705.80 | 5654.49 |
| | 460923 | ASME Bypass Valve Kit ⁴ (Old Header Design) | 486.94 | 585.11 |
| | 461007 | ASME Bypass Valve Tool Kit ⁴ (Old Header Design) | 289.62 | 348.01 |
| | 460924 | Thermal Regulator Kit (incl. spring clip & install tools) (ASME) (Old Heater Design) ⁴ | 237.96 | 285.93 |
| | 460941 | Heat Exchanger Kit - 250 ASME ² | CALL | CALL |
| | 474097 | Heat Exchanger Kit - 250 ASME ³ | 4229.97 | 5082.73 |

ULTRATEMP ETi® HEATER

HIGH PERFORMANCE HYBRID HEATER



| Item | Part No. | Description | Qty. | US List | Can. List |
|-----------------------------------------------|----------|------------------------------------------|------|---------|-----------|
| ULTRATEMP 220 ETi REFRIGERATION SYSTEM | | | | | |
| 1 | 473054Z | Coil Guard | 1 | 274.54 | 329.89 |
| 2 | 476105Z | Thermostatic Expansion Valve | 1 | 169.46 | 203.62 |
| 3 | 470441 | Fan Guard Fastener Kit | 1 | 11.60 | 13.94 |
| 4 | 473786 | Fan Guard | 1 | 232.45 | 279.31 |
| 5 | 470439 | Nut, #10-32 SS Acorn | 1 | 7.56 | 9.08 |
| 6 | 473785 | Fan Motor with Acorn Nut Kit | 1 | 567.23 | 681.58 |
| 7 | 473783 | Fan Blade | 1 | 267.33 | 321.22 |
| 8 | 475938Z | Hybrid Lid Almond | 1 | 561.07 | 674.18 |
| 8 | 476068Z | Hybrid Lid Black | 1 | 561.07 | 674.18 |
| 9 | 475230Z | Compressor Blanket | 1 | 129.28 | 155.34 |
| 10 | 475948Z | Titanium Heat Exchanger Tie Down Bracket | 1 | 54.61 | 65.62 |
| 11 | 475949 | Titanium Heat Exchanger | 1 | CALL | CALL |

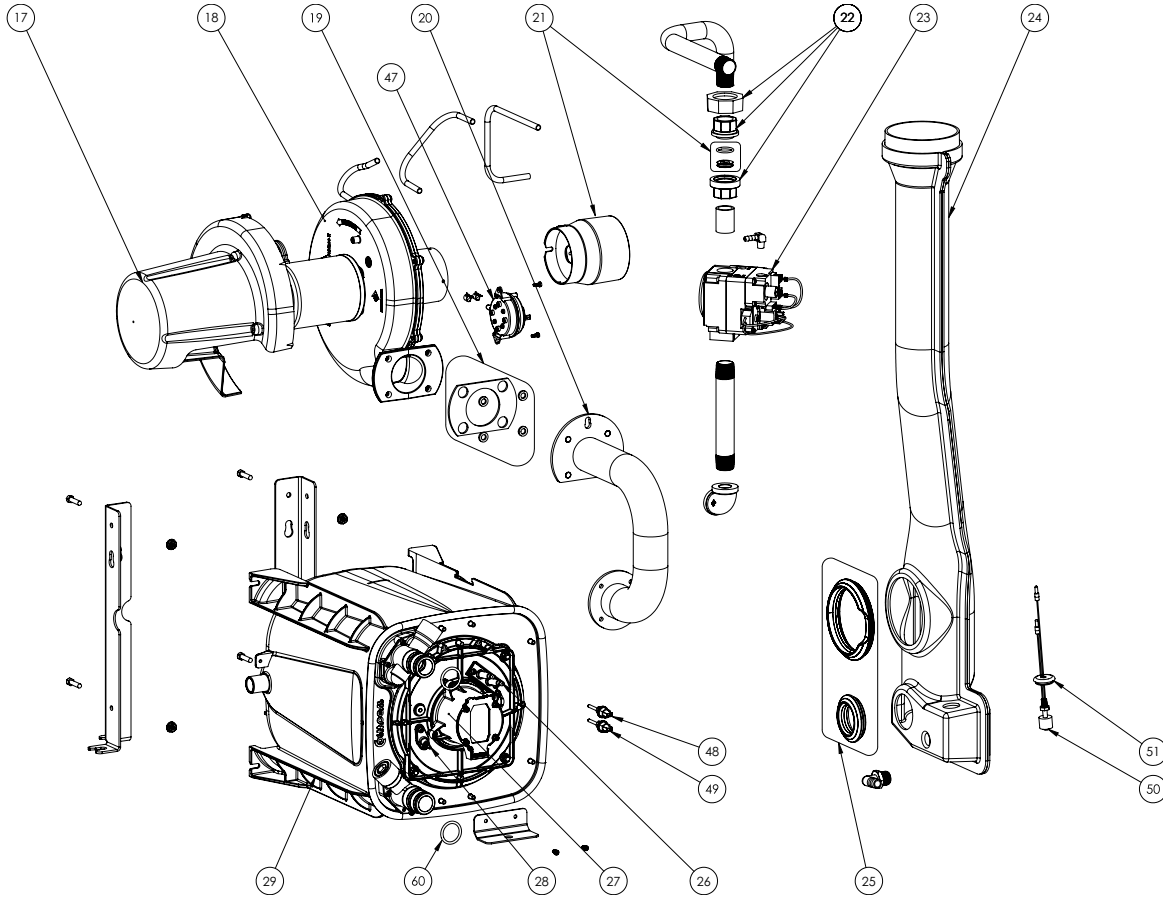
| Item | Part No. | Description | Qty. | US List | Can. List |
|------|----------|-------------------------------------------------------------|------|---------|-----------|
| 12 | 473735Z | Compressor, ZP70 (FG UNITS BUILT BEFORE 12/14/20) | | 3528.47 | 4239.81 |
| 12 | 476229Z | Compressor, ARA072KA (FG UNITS BUILT ON AND AFTER 12/14/20) | | 3975.46 | 4776.91 |
| 13 | 473121 | Drier Single Direction | 1 | 140.09 | 168.33 |
| 14 | 473736 | Compressor Isolation Kit | 1 | 40.64 | 48.83 |
| 15 | 475939 | Control/HP Panel Almond | | CALL | CALL |
| 15 | 476069 | Control/HP Panel Black | | CALL | CALL |
| 16 | 475940Z | Gas Panel Almond | | 342.66 | 411.74 |
| 16 | 476070Z | Gas Panel Black | | 342.66 | 411.74 |
| * | 472409 | CoreMax Valve Core | | CALL | CALL |

* Not shown

CALIFORNIA PROPOSITION 65 WARNING
⚠ WARNING: Cancer and Reproductive Harm.
⚠ AVERTISSEMENT: Peut Causer le Cancer et des Dommages au Système Reproducteur.
⚠ ADVERTENCIA: Cáncer y Daño Reproductivo.
www.p65warnings.ca.gov

ULTRATEMP ETi® HEATER (CONT'D)

HIGH PERFORMANCE HYBRID HEATER



| Item | Part No. | Description | Qty. | US List | Can. List |
|-------------------------------------|-------------|-----------------------------------|------|---------|-----------|
| ULTRATEMP 220 ETi GAS SYSTEM | | | | | |
| 17 | 475918Z | Blower Shield Cap | 1 | 76.69 | 92.15 |
| 18 | 474285Z | Blower | 1 | 375.02 | 450.62 |
| 19 | 475902Z | Air Manifold to Blower Gasket Kit | 1 | 30.27 | 36.37 |
| 20 | 475899Z | Air Manifold | 1 | 516.64 | 620.79 |
| 21 | | Orifice Kit, Natural Gas | 1 | | |
| 21 | | Orifice Kit, Propane | 1 | | |
| 22 | 38404-4097S | 3/4 in. Union | 1 | 54.36 | 65.32 |
| 23 | | Gas Valve | 1 | | |
| 24 | 475900Z | Exhaust | 1 | 1109.80 | 1333.54 |
| 25 | 475877 | Exhaust Gasket Kit (2 Pieces) | 1 | 33.12 | 39.80 |
| 26 | 476081Z | Gas Engine Spark Electrodes | 1 | 195.73 | 235.19 |
| 28 | 462023 | Flame Sensor | | CALL | CALL |

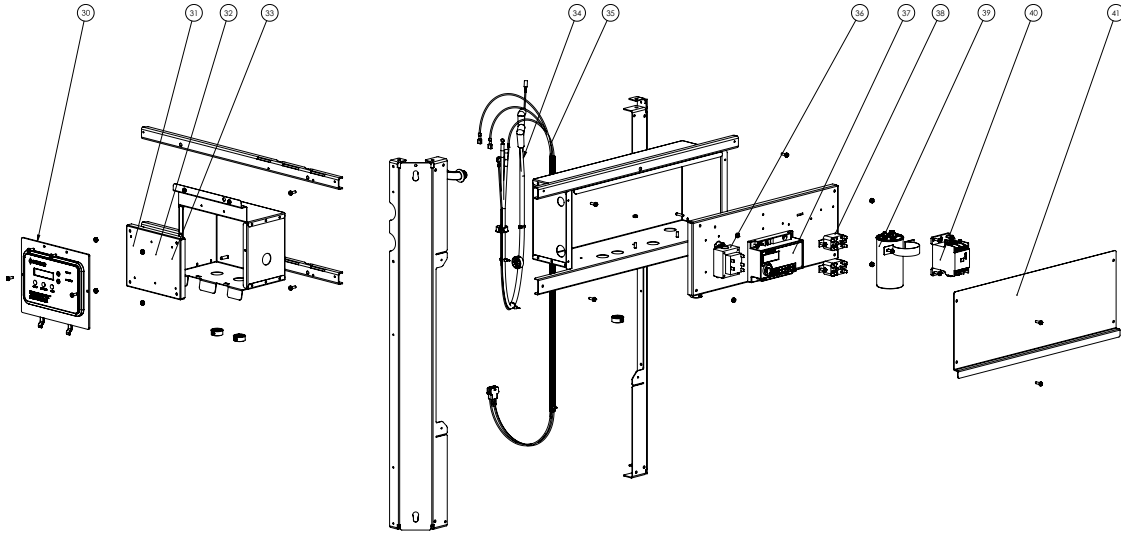
| Item | Part No. | Description | Qty. | US List | Can. List |
|-------------------------------------|----------|---------------------------------------|------|---------|-----------|
| ULTRATEMP 220 ETi GAS SYSTEM | | | | | |
| * | 475615 | Gas Heat Exchanger Gasket Service Kit | 1 | 859.53 | 1032.81 |
| * | 475606 | Gas Heat Exchanger Hardware Kit | 1 | 107.38 | 129.03 |
| * | 475943 | Pressure Relief Valve Kit | 1 | 298.50 | 358.68 |
| | 475954Z | Condensate Neutralizer Kit | | 340.55 | 409.20 |

* Not shown

CALIFORNIA PROPOSITION 65 WARNING
 ⚠️ **WARNING:** Cancer and Reproductive Harm.
 ⚠️ **AVERTISSEMENT:** Peut Causer le Cancer et des Dommages au Système Reproducteur.
 ⚠️ **ADVERTENCIA:** Cáncer y Daño Reproductivo.
www.p65warnings.ca.gov PNL00174A

ULTRATEMP ETi® HEATER (CONT'D)

HIGH PERFORMANCE HYBRID HEATER



| Item | Part No. | Description | Qty. | US List | Can. List |
|--------------------------------------------|----------|--------------------------------------|------|---------|-----------|
| ULTRATEMP 220 ETi ELECTRICAL SYSTEM | | | | | |
| 30 | 475957Z | Bezel, Control Board, and Label Kit | 1 | 726.74 | 873.25 |
| 31 | 475928Z | Wire Harness, Gas Inputs | 1 | 133.23 | 160.09 |
| 32 | 475929Z | Wire Harness, Heat Pump Inputs | 1 | 76.69 | 92.15 |
| 33 | 475930Z | Wire Harness, Outputs | 1 | 169.57 | 203.76 |
| 34 | 475926Z | Wire Harness, Spark Plugs (NG Units) | 1 | 86.80 | 104.30 |
| 34 | 476450Z | Wire Harness, Spark Plugs (LP Units) | | CALL | CALL |
| 35 | 475931Z | Wire Harness, Gas Blower | 1 | 26.24 | 31.53 |
| 36 | 473155 | Transformer | 1 | 239.78 | 288.12 |
| 37 | 475933Z | Ignition Control Module | 1 | 767.11 | 921.76 |
| 38 | 473150 | Relay, Fan and Gas | 1 | 164.09 | 197.17 |
| 39 | 473731Z | Dual Capacitor with Bracket | 1 | CALL | CALL |
| 40 | 473149 | Contacter Compressor/ Input Power | 1 | 254.78 | 306.14 |
| 41 | 475905Z | Cover Panel, High Voltage Box | | 124.26 | 149.31 |
| 42 | 474237 | Compressor Harness Clip | 1 | 12.63 | 15.18 |
| 43 | 473656 | Switch, Low Refrigerant Pressure | 1 | 169.27 | 203.39 |
| 44 | 473606 | Water Pressure Switch Boot | 1 | 9.80 | 11.78 |
| 45 | 475956Z | Water Pressure Switch | 1 | 68.65 | 82.49 |

| Item | Part No. | Description | Qty. | US List | Can. List |
|------|------------|------------------------------------------------------|------|---------|-----------|
| 46 | 473744 | Switch, High Refrigerant Pressure | | 138.18 | 166.04 |
| 47 | 42001-0059 | Air Pressure Switch | | CALL | CALL |
| 48 | 476118Z | Thermal Fuse | | 99.50 | 119.56 |
| 49 | 475601 | Stack Flue Sensor | | 94.51 | 113.56 |
| 50 | 475901Z | Condensate Float Switch | 1 | 40.41 | 48.56 |
| 51 | 475911Z | Condensate Float Switch Bushing | 1 | 12.93 | 15.54 |
| 52 | 475941 | Switch, Automatic Gas Shutoff, 140° F | | 56.49 | 67.88 |
| 53 | 475955Z | Switch, High Limit, 127° F | | 52.49 | 63.07 |
| 54 | 471566 | Probe, Thermistor Water Temperature | | 79.50 | 95.53 |
| * | 475927Z | Wire Harness, High Voltage | | 84.79 | 101.88 |
| * | 475932Z | Compressor Harness, Hybrid (For ZP70 Compressor) | | 56.52 | 67.91 |
| * | 476234Z | Compressor Harness, Hybrid (For ARA072KA Compressor) | | CALL | CALL |

* Not shown

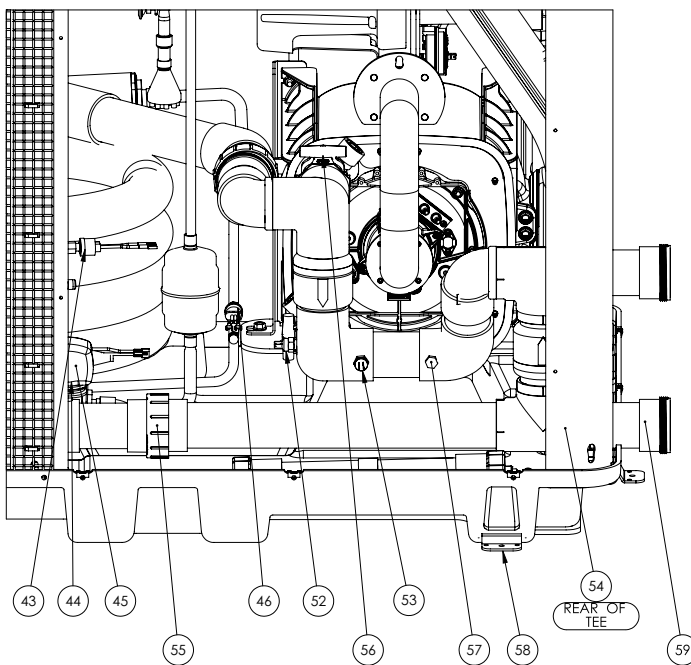
CALIFORNIA PROPOSITION 65 WARNING

⚠ **WARNING:** Cancer and Reproductive Harm.
 ⚠ **AVERTISSEMENT:** Peut Causer le Cancer et des Dommages au Système Reproducteur.
 ⚠ **ADVERTENCIA:** Cáncer y Daño Reproductivo.

www.p65warnings.ca.gov. P182017A

ULTRATEMP ETi® HEATER (CONT'D)

HIGH PERFORMANCE HYBRID HEATER



CALIFORNIA PROPOSITION 65 WARNING
 ⚠️ **WARNING:** Cancer and Reproductive Harm.
 ⚠️ **AVERTISSEMENT:** Peut Causer le Cancer et des Dommages au Système Reproducteur.
 ⚠️ **ADVERTENCIA:** Cáncer y Daño Reproductivo.
www.p65warnings.ca.gov PK20171A

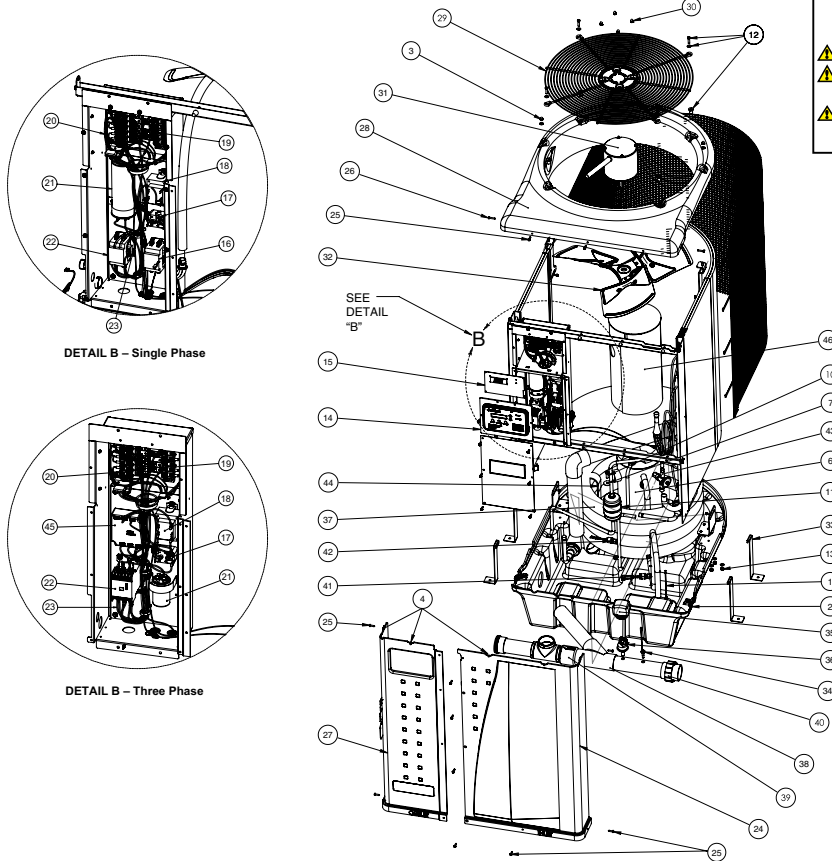
| Item | Part No. | Description | Qty. | US List | Can. List |
|-----------------------------------------|----------|---------------------------------------------------------|------|---------|-----------|
| ULTRATEMP 220 ETi PLUMBING/MISC. | | | | | |
| | 473665 | Probe Thermistor, Defrost Sensor | 1 | 64.62 | 77.65 |
| 55 | 473381 | Union PVC 2in | 1 | 41.26 | 49.58 |
| 56 | 475953Z | QRC Clip | 1 | 19.80 | 23.79 |
| 57 | 98218900 | Drain Plug (1/4 NPT) | 1 | 9.68 | 11.63 |
| 58 | 475950Z | Hurricane Tie Down Straps | 1 | 72.69 | 87.34 |
| 59 | 476032Z | Water Management Assembly | 1 | 1320.30 | 1586.47 |
| 60 | 475912Z | Gas Engine Brass Ftg O-ring, -215 Silicone | 1 | 14.13 | 16.98 |
| * | 470284 | Nut, J Clip (Base) | 1 | 4.54 | 5.46 |
| * | 470281 | Nut, U Clip (Panels) | 1 | 3.79 | 4.55 |
| * | 470159 | Panel Screws, Phillips, Almond | 1 | 1.91 | 2.30 |
| * | 470161 | Lid Bracket Scews, Square Drive, Almond | 1 | 1.91 | 2.30 |
| * | 476036Z | Union/Tie Down Kit (Includes 8X Item 58 and 2X Item 55) | 1 | 402.94 | 484.17 |
| * | 474198 | Panel Screws, Phillips, Black | | 1.91 | 2.30 |
| * | 474197 | Lid Bracket Screws, Square Drive, Black | | 1.91 | 2.30 |
| * | 475943 | Pressure Relief Valve Kit | | 298.50 | 358.68 |
| * | 473381 | Union 2 in x 2 in, with O-Ring | | 41.26 | 49.58 |

* Not shown

ULTRATEMP® HEAT PUMP

460833, 460863, 460928, 460929, 460930, 460931, 460932, 460933,
 460934, 460935, 460936, 460937, 460938, 460958, 460959, 460960, 460961,
 460962, 460963, 460964, 460965, 460967, 462032 & 462033

REPLACEMENT PARTS



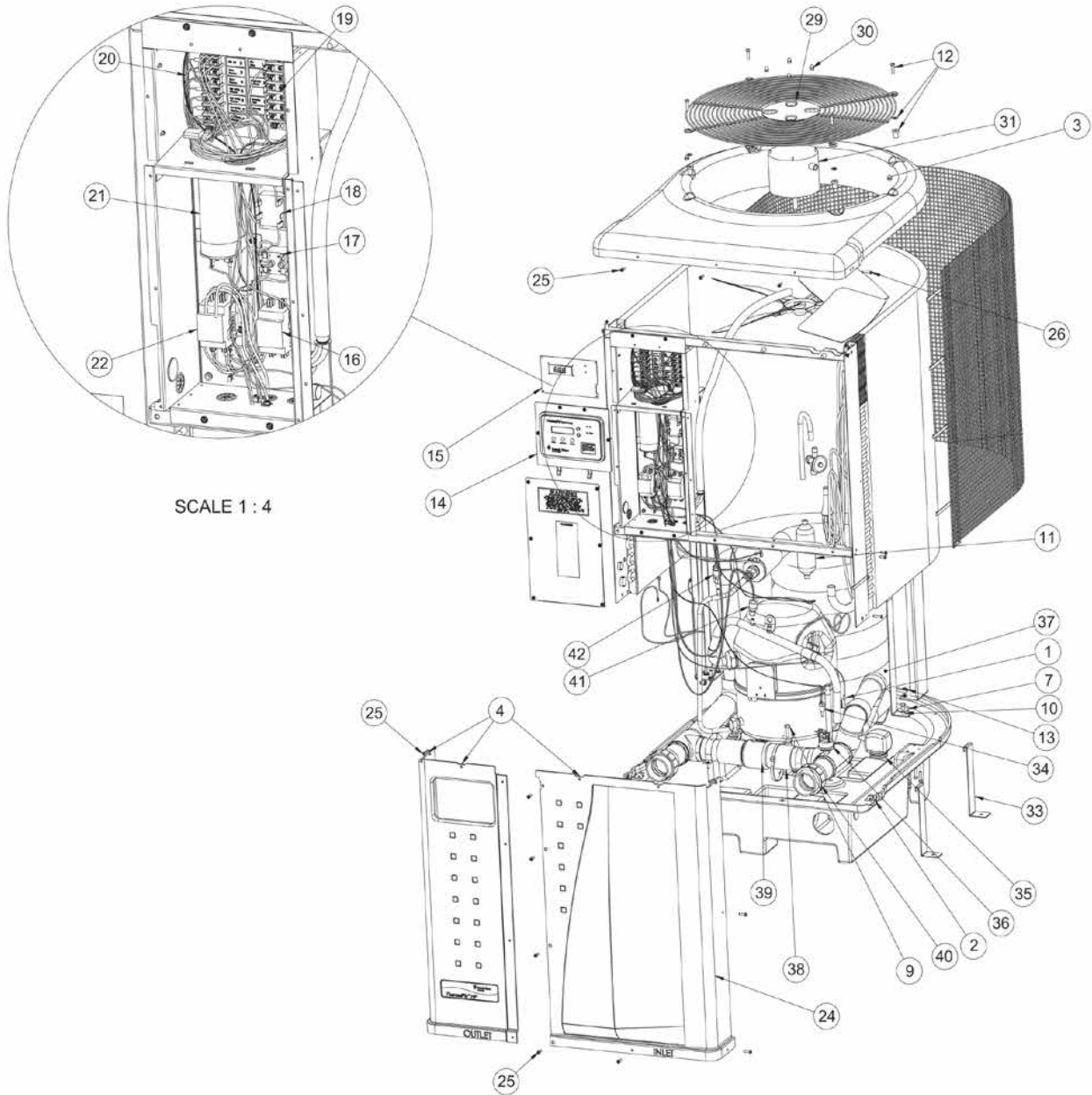
CALIFORNIA PROPOSITION 65 WARNING
 ⚠ WARNING: Cancer and Reproductive Harm.
 ⚠ AVERTISSEMENT: Peut Causer le Cancer et des Dommages au Système Reproducteur.
 ⚠ ADVERTENCIA: Cáncer y Daño Reproductivo.
www.p65warnings.ca.gov PHS0071A

| Item | Part No. | Description | US List | Can. List |
|------------------------------------|----------|----------------------------------------------------------------------------------------------------------------------------------------------------------------|---------|-----------|
| ULTRATEMP REPLACEMENT PARTS | | | | |
| 1 | 473665 | PROBE THERMISTOR DEFROST SENSOR | 64.62 | 77.65 |
| 2 | 470284 | NUT, J-CLIP | 4.54 | 5.46 |
| 3 | 473285 | NUT, 1/4-20 SS ACORN | 1.91 | 2.30 |
| 4 | 470281 | NUT, U-CLIP | 3.79 | 4.55 |
| 5 | 473732 | WIRE HARNESS, COMPRESSOR (1PH-60HZ) (For ZP49, ZP61, ZP70, and ZP83 compressors) | 143.20 | 172.07 |
| 5 | 476233 | Wire Harness, Compressor (1PH-60HZ) (For ARA083KA, ARA072KA, ARA061KA, and ABG049KAC compressors) | 143.20 | 172.07 |
| 5 | 474009 | WIRE HARNESS, COMPRESSOR (1PH-50HZ) | 149.46 | 179.59 |
| 5 | 474010 | WIRE HARNESS, COMPRESSOR (3-PHASE MODELS) | 148.79 | 178.79 |
| 6 | 473734Z | COMPRESSOR, SCROLL ZP83 (MODEL 120, 120HC, 140, 140 HC ONLY) FG UNITS BUILT BEFORE 12/21/20 | 3975.46 | 4776.91 |
| 6 | 473735Z | COMPRESSOR, SCROLL ZP70 (MODEL 110 ONLY) FG UNITS BUILT BEFORE 12/14/20 | 3528.47 | 4239.81 |
| 6 | 474011Z | COMPRESSOR, SCROLL ZP83 (3-PHASE MODEL 120C, 140C ONLY) | 3938.94 | 4733.03 |
| 6 | 474241Z | COMPRESSOR, SCROLL ZP61 (MODEL 90 ONLY) FG UNITS BUILT BEFORE 1/6/21 | 3204.73 | 3850.80 |
| 6 | 474291Z | COMPRESSOR, SCROLL ZP49 (MODEL 70 ONLY) FG UNITS BUILT BEFORE 1/6/21 | 2733.46 | 3284.53 |
| 6 | 476230Z | COMPRESSOR, SCROLL ARA083KA (MODEL 120Q, 120HC, 140, 140 HC) FG UNITS BUILT ON AND AFTER 12/21/20 (ACTIVE DEFROST UNITS SWITCHED TO NEW COMPRESSOR ON 5/10/21) | 3528.47 | 4239.81 |
| 6 | 476229Z | COMPRESSOR, SCROLL ARA072KA (MODEL 110 ONLY) FG UNITS BUILT ON AND AFTER 12/14/20 | 3975.46 | 4776.91 |
| 6 | 476228Z | COMPRESSOR, SCROLL ARA061KA (MODEL 90 ONLY) FG UNITS BUILT ON AND AFTER 1/6/21 | 2733.46 | 3284.53 |
| 6 | 476227Z | COMPRESSOR, SCROLL ABG049KAC (MODEL 70 ONLY) FG UNITS BUILT ON AND AFTER 1/6/21 | 3204.73 | 3850.80 |
| 7 | 473295 | FENDER WASHER | 1.91 | 2.30 |
| 8 | 473736 | COMPRESSOR ISOLATION KIT, GROMMET AND SPACER 1 SET | 40.64 | 48.83 |
| 9 | 473745 | BOLT 5/16-18 x 2 in. SS | 6.61 | 7.94 |
| 10 | 98219800 | BOLT 5/16-18 x 1 in. SS | 2.31 | 2.78 |
| 11 | 473121 | DRIER (ALL MODELS EXCEPT 120HC, 140HC) | 140.09 | 168.33 |
| 11 | 473139 | DRIER (MODEL 120HC, 140HC) | 416.22 | 500.13 |
| 12 | 470441 | FAN GUARD FASTENER KIT | 11.60 | 13.94 |

THERMALFLO™ HEAT PUMP TITANIUM

460912, 460913, 460914, 460915, & 460922

REPLACEMENT PARTS



SCALE 1 : 4

CALIFORNIA PROPOSITION 65 WARNING

⚠ **WARNING:** Cancer and Reproductive Harm.
⚠ **AVERTISSEMENT:** Peut Causer le Cancer
et des Dommages au Système Reproducteur.
⚠ **ADVERTENCIA:** Cáncer y Daño Reproductivo.
www.p65warnings.ca.gov

PH 201714

THERMALFLO™ HEAT PUMP TITANIUM (CONT'D)

REPLACEMENT PARTS

| Item | Part No. | Description | US List | Can. List | Item | Part No. | Description | US List | Can. List |
|-------------------------------|----------|-----------------------------------------------|---------|-----------|------------------|-------------------------------------------------|--------------------------------------------------------|---------|-----------|
| THERMALFLO HP TITANIUM | | | | | | | | | |
| 1 | 473665 | Probe Thermister Defrost Sensor | 64.62 | 77.65 | 25 | 470159 | Screw #10 x 3/4 in. Pan Head Phillips, Almond Head | 1.91 | 2.30 |
| 2 | 470284 | Nut, J-Clip | 4.54 | 5.46 | 26 | 470161 | Screw #10 x 1 in. Button Head Torx, Almond Head | 1.91 | 2.30 |
| 3 | 473285 | Nut, 1/4-20 SS Acorn | 1.91 | 2.30 | 29 | 473368 | Guard, Fan | 169.04 | 203.12 |
| 4 | 470281 | Nut, U-Clip | 3.79 | 4.55 | 30 | 470439 | Nut, 10-32 SS Acorn | 7.56 | 9.08 |
| 7 | 473295 | Fender Washer | 1.91 | 2.30 | 31 | 470289 | Fan Motor w/ Acorn nut Kit | 429.63 | 516.24 |
| 9 | 473294 | Bolt 5/16-18 x 1-3/4 in. SS | 1.91 | 2.30 | 33 | 470137 | Tie Down Bracket | 29.25 | 35.15 |
| 10 | 98219800 | Bolt 5/16-18 x 1 in. SS | 2.31 | 2.78 | 34 | 471566 | Probe Thermister - Water Temperature | 79.50 | 95.53 |
| 11 | 473121 | Drier (Model # 500, 700, 900, 1200) | 140.09 | 168.33 | 35 | 473606 | Water Pressure Switch Boot | 9.80 | 11.78 |
| 11 | 473139 | Drier, Reversible (Model # 1200R) | 416.22 | 500.13 | 36 | 473605 | Water Pressure Switch | 112.07 | 134.66 |
| 12 | 470441 | Fan Guard Fastener Kit | 11.60 | 13.94 | 37 | 472736 | Titanium Heat Exchanger (Model# 700, 900, 1200, 1200R) | 4658.47 | 5597.62 |
| 13 | 071406 | Nut, 1/4-20 Hex SS | 2.31 | 2.78 | 38 | 473774Z | Water Bypass Manifold ¹ | 717.14 | 861.72 |
| 14 | 473693 | Bezel, Control Board w/ Label | 258.54 | 310.66 | 39 | R172305 | Water Bypass Check Valve | CALL | CALL |
| 15 | 472734 | Control Board Assembly | 646.36 | 776.67 | 40 | 473381 | Union PVC 2 in. | 41.26 | 49.58 |
| 16 | 473603 | Pump Contactor AutoHeat | 87.69 | 105.37 | 41 | 473656 | Switch, Low Pressure | 169.27 | 203.39 |
| 17 | 473150 | Fan Relay | 164.09 | 197.17 | 42 | 473655 | Switch, High Pressure | 169.27 | 203.39 |
| 18 | 473155 | Transformer | 239.78 | 288.12 | NOT SHOWN | | | | |
| 19 | 473422 | Wire Harness Terminal Block - Fan, Compressor | 123.51 | 148.41 | 473135 | Reversing Valve (Model # 1200R) | CALL | CALL | |
| 20 | 473315 | Wire Harness, Terminal Block - Sensors | 150.81 | 181.21 | 473432 | Reversing Solenoid (Model # 1200R) ² | 308.18 | 370.31 | |
| 21 | 470146 | Capacitor | 121.84 | 146.40 | 473034 | RotoLock Lo Side with Gasket | 133.48 | 160.39 | |
| 22 | 473149 | Contactor, Heat Pump | 254.78 | 306.14 | 473035 | RotoLock Hi Side with Gasket | 133.48 | 160.39 | |
| 24 | 473412 | Panel, Front Right (Model# 500, 700) | 299.34 | 359.69 | | | | | |
| 24 | 473431 | Panel, Front Right (Model# 900, 1200, 1200R) | 340.95 | 409.69 | | | | | |

¹ For units manufactured after 7/1/09.

² For units manufactured after 2005.
(Use PN 473136 for units manufactured before 2005).

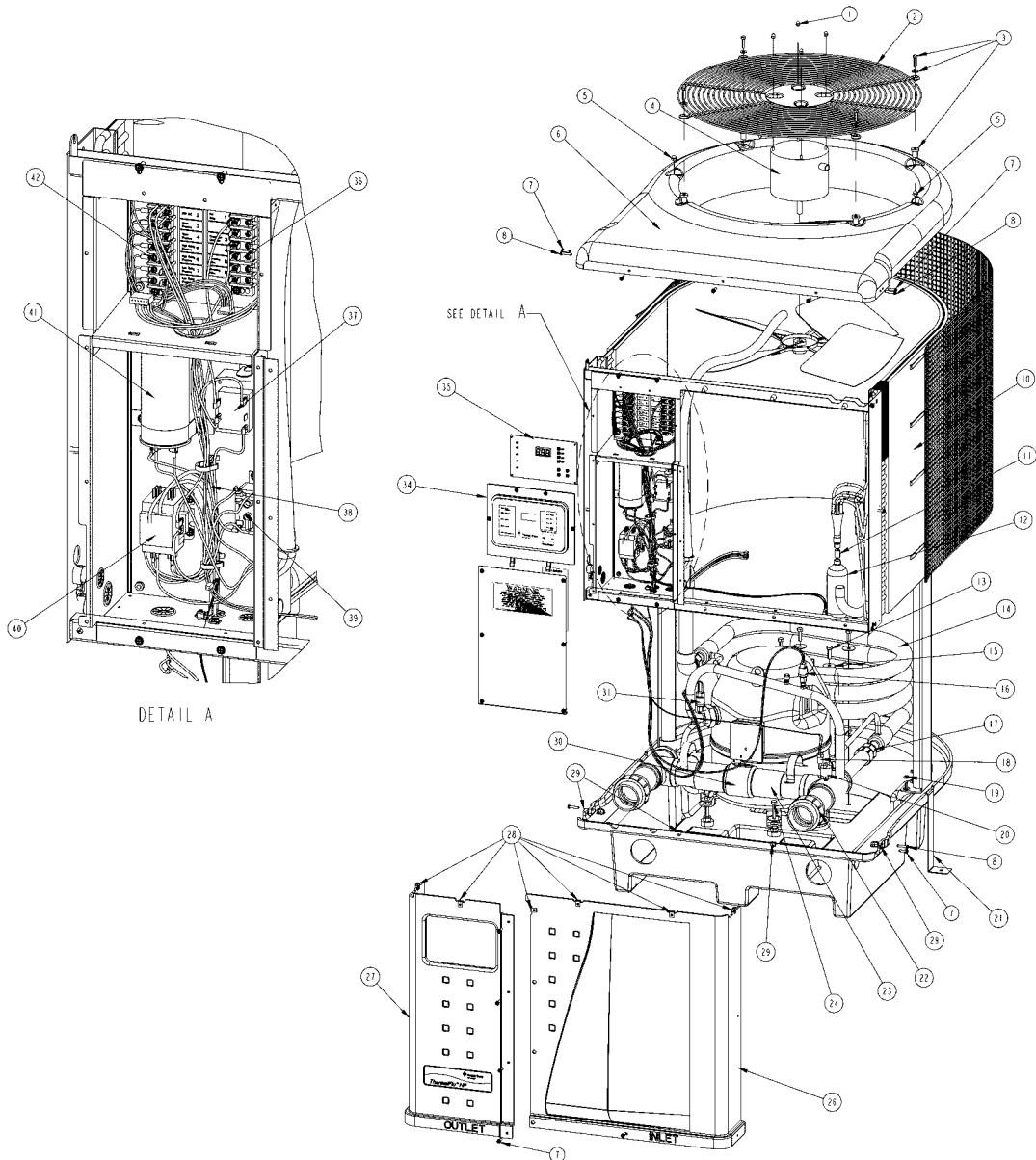
CALIFORNIA PROPOSITION 65 WARNING

⚠️ **WARNING:** Cancer and Reproductive Harm.
 ⚠️ **AVERTISSEMENT:** Peut Causer le Cancer et des Dommages au Système Reproducteur.
 ⚠️ **ADVERTENCIA:** Cáncer y Daño Reproductivo.
www.p65warnings.ca.gov

THERMALFLO™ HEAT PUMP

460812, 460813, 460814, 460815, & 460822

REPLACEMENT PARTS



CALIFORNIA PROPOSITION 65 WARNING

⚠️ **WARNING:** Cancer and Reproductive Harm.
 ⚠️ **AVERTISSEMENT:** Peut Causer le Cancer et des Dommages au Système Reproducteur.
 ⚠️ **ADVERTENCIA:** Cáncer y Daño Reproductivo.

www.p65warnings.ca.gov PK2017LA

THERMALFLO™ HEAT PUMP (CONT'D)




REPLACEMENT PARTS

| Item | Part No. | Description | US List | Can. List |
|----------------------|----------|---------------------------------------------------------------------------------|---------|-----------|
| THERMALFLO HP | | | | |
| 1 | 470439 | Nut, 10-32 SS acorn ² | 7.56 | 9.08 |
| 2 | 473368 | Fan guard | 169.04 | 203.12 |
| 3 | 470441 | Fastener kit, fan guard, 1 set | 11.60 | 13.94 |
| 4 | 470289 | Fan motor w/ acorn nuts | 429.63 | 516.24 |
| 5 | 473285 | Nut, 1/4-20 SS acorn | 1.91 | 2.30 |
| 6 | 473134 | Top | 931.69 | 1119.52 |
| 7 | 470159 | Screw, 10 x 3/4 in. pan head phillips, almond head | 1.91 | 2.30 |
| 8 | 470161 | Screw, No.10 x 1 in. button head torx, almond head | 1.91 | 2.30 |
| 11 | 473144 | Orifice, reversing, Model No. 1200R | 75.42 | 90.62 |
| 11 | 473145 | Orifice, Model No. 500, 700, 900, 1200, 1200C | 75.46 | 90.67 |
| 12 | 473121 | Drier, Model No. 500, 700, 900, 1200, 1200C | 140.09 | 168.33 |
| 12 | 473139 | Drier, reversible, Model No. 1200R | 416.22 | 500.13 |
| 13 | 98219800 | Bolt 5/16-18 x 1 in., SS | 2.31 | 2.78 |
| 14 | 473416 | Coil, water, Model No. 500 | 2596.55 | 3120.01 |
| 14 | 473417 | Coil, water, Model No. 700, 900, 1200, 1200R, 1200C | 3107.49 | 3733.96 |
| 15 | 473295 | Washer, fender | 1.91 | 2.30 |
| 16 | 473175 | Switch, low pressure | 168.61 | 202.60 |
| 17 | 473116 | Compression fitting, water line, Model No. 500 | 42.37 | 50.91 |
| 17 | 473117 | Compression fitting, water line, Model No. 700, 900, 1200, 1200R, 1200C | 26.71 | 32.09 |
| 18 | 471566 | Probe, Thermistor | 79.50 | 95.53 |
| 19 | 071406 | Nut, 1/4-20 hex SS | 2.31 | 2.78 |
| 20 | 473605 | Switch, water pressure | 112.07 | 134.66 |
| 21 | 470137 | Bracket, tie down | 29.25 | 35.15 |
| 22 | 473381 | Union, 2 in. PVC | 41.26 | 49.58 |
| 23 | 473320 | Manifold, water bypass w/ hartford loop, Model No. 700, 900, 1200, 1200R, 1200C | CALL | CALL |
| 23 | 473424 | Manifold, water bypass w/ hartford loop, Model No. 500 | CALL | CALL |

| Item | Part No. | Description | US List | Can. List |
|------------------|----------|----------------------------------------------------------------|---------|-----------|
| 24 | 473294 | Bolt 5/16-18 x 1-3/4 4 in. SS | 1.91 | 2.30 |
| 26 | 473412 | Panel, front right, Model No. 500, 700 | 299.34 | 359.69 |
| 26 | 473431 | Panel, front right, Model No. 900, 1200, 1200R, 1200C | 340.95 | 409.69 |
| 27 | 470419 | Panel, front left, w/ decal, Model No. 500, 700 | CALL | CALL |
| 27 | 470434 | Panel, front left, w/ decal, Model No. 900, 1200, 1200R, 1200C | CALL | CALL |
| 28 | 470281 | Nut, U-clip | 3.79 | 4.55 |
| 29 | 470284 | Nut, J-clip | 4.54 | 5.46 |
| 30 | R172305 | Valve, check | CALL | CALL |
| 31 | 473172 | Switch, high pressure | 168.61 | 202.60 |
| 34 | 473693 | Bezel, control board w/ label | 258.54 | 310.66 |
| 35 | 472734 | Control board assembly | 646.36 | 776.67 |
| 36 | 473422 | Wire harness, fan & compressor terminal block | 123.51 | 148.41 |
| 37 | 473155 | Transformer | 239.78 | 288.12 |
| 38 | 473423 | Wire harness, main | 119.60 | 143.71 |
| 39 | 473150 | Relay, fan | 164.09 | 197.17 |
| 40 | 473149 | Contacto | 254.78 | 306.14 |
| 41 | 470146 | Capacitor | 121.84 | 146.40 |
| 42 | 473315 | Wire harness, sensor terminal block | 150.81 | 181.21 |
| NOT SHOWN | | | | |
| | 473606 | Rubber boot cover for water pressure switch | 9.80 | 11.78 |
| | 473135 | Reversing valve w/ coil, Model No. 1200R | CALL | CALL |
| | 473136 | Solenoid, reversing, Model No. 1200R ¹ | 211.82 | 254.52 |
| | 473432 | Coil for reversing valve ² | 308.18 | 370.31 |
| | 473035 | RotoLock Hi Side with Gasket | 133.48 | 160.39 |
| | 473034 | RotoLock Lo Side with Gasket | 133.48 | 160.39 |

¹ For unit manufactured before 9-1-05.² For units manufactured after 9-1-05.

CALIFORNIA PROPOSITION 65 WARNING

 **WARNING:** Cancer and Reproductive Harm.
 **AVERTISSEMENT:** Peut Causer le Cancer et des Dommages au Système Reproducteur.
 **ADVERTENCIA:** Cáncer y Daño Reproductivo.
www.p65warnings.ca.gov

PH201714