



INTELLICHLOR®
SALT CHLORINE GENERATOR
MODEL IC15, IC20, IC40, IC60



INSTALLATION AND
USER'S GUIDE

IMPORTANT SAFETY INSTRUCTIONS
READ AND FOLLOW ALL INSTRUCTIONS
SAVE THESE INSTRUCTIONS
KEEP OUT OF REACH OF CHILDREN

CUSTOMER SERVICE / TECHNICAL SUPPORT

If you have questions about ordering Pentair replacement parts, and pool products, please contact:

Customer Service and Technical Support, USA

8 A.M. to 7:30 P.M

Phone: (800) 831-7133

Fax: (800) 284-4151

Web site

Visit www.pentair.com

Sanford, North Carolina

Phone: (919) 566-8000

Fax: (919) 566-8920

Moorpark, California

Phone: (805) 553-5000 (Ext. 5591)

Fax: (805) 553-5515



Salt is an inherently corrosive material. While the levels of salt required for proper operation of the IntelliChlor Salt Chlorine Generator (SCG) are relatively low when compared to sea water and other salt solutions, placing any amount of salt in your pool increases the likelihood of corrosion or other deterioration of pool equipment and any surfaces used in and around your pool. Metal parts (including metal pools) and certain natural and man-made surfaces are particularly susceptible to corrosion and deterioration when used in and around salt water pools. Pentair Water Pool and Spa, Inc. ("Pentair") does not represent or otherwise guarantee that the proper use of the (SCG) will prevent corrosion or other deterioration of pool equipment and any surfaces used in and around your pool. Consult your experienced pool professional, who should be able to advise you on the proper material selection, installation techniques for those materials, and the proper use, care and maintenance of those materials for your specific pool type and location in order to minimize the corrosion and deterioration that is inherent in and around salt water pools.

All indicated Pentair trademarks and logos are property of Pentair. Third party registered and unregistered trademarks and logos are the property of their respective owners.

© 2023 Pentair. All rights reserved. WWW.PENTAIR.COM

P/N 520589 Rev. R 8/7/23

Contents

Important Warnings and Safety Instructions	iii - iv
Technical Support	ii
IntelliChlor Salt Chlorine Generator (SCG) Overview	1
IntelliChlor SCG Models	2
IntelliChlor SCG Control Panel and Cell Description	2
System Components	2
IntelliChlor SCG IC20, IC40, IC60 Power Center	3
IntelliChlor SCG IC15 Power Supply	3
System Schematic Diagram	4
Install Chlorine/Bromine Feeders after the IntelliChlor SCG cell	4
Loop Plumbing Diagram	5
IntelliChlor SCG Plumbing Diagram	5
Pool Water Preparation	6
Determining Pool Size (Gallons of Water in Your Pool)	6
Determining Pool Size (liters of water in your pool)	6
Section 1: IntelliChlor SCG Control Panel	7
Salt Level Status LEDs	7
Status LEDs	7
Sanitizer Output LED Indicators	8
More and Less Output Buttons	8
Self-Cleaning	8
Section 2: Pool Water and Chemistry, Conditions and Precautions	9
Pool Water Chemistry, Conditions and Precautions	9
Optimum Pool Water Conditions for Salt Water Pools (using the IntelliChlor Salt Chlorine Generator) ...	10
Covered Pools and Vinyl Liner Pool and Lowering Chlorine Output Levels	10
Chlorine Testing	11
What Type of Salt to Use	11
How Much Salt to Use?	11
Calculating the Saturation Index	12
TDS Factor	12
Langelier Saturation Index Factors	12
How to Add Salt to the Pool	13
Table 1. Approximate Pounds (Kg) of salt needed to obtain 3,400 ppm in pool	13
Table 2. Approximate amount of stabilizer (cyanuric acid) to obtain 40 ppm in pool	14
Section 3: Operating IntelliChlor SCG	15
Initial Start-up Period	15
Operation	15
Use of an external Pool Pump Timer is not required	15
If you use a Pool Pump Timer	15
Start-up Procedure (Super Chlorination)	16
Sanitizer Output Settings and Adjustments	16
Operating in Winter	16
General Recommendations	17
General Cautions	17

Contents (continued)

Section 4: User Maintenance	18
Daily service	18
Weekly service	18
Monthly Service	18
Usage Hours Meter	19
Cleaning the IECG Cell Blades	19
Winterizing	20
Section 5: Installation	21
Kit Contents	21
Required Tools	21
IntelliChlor “Dummy” Cell	22
Selecting Model Size - IntelliChlor Model IC20, IC40, IC60	22
Installing the IntelliChlor Cell Assembly	22
Connecting the Cell Power Cable to the Power Center	23
Connecting the Power Supply Cable to the IC15 Cell	23
Connecting IC20, IC40, IC60 Power Center to IntelliTouch, EasyTouch or SunTouch System	24
Connecting IntelliChlor Communication Cable (RS-485)	25
Connecting IntelliChlor to a SunTouch System	26
Wiring AC Power from IntelliChlor SCG and IntelliFlo to Automation Control System (IntelliTouch, EasyTouch and SunTouch Automation Control System)	26
Section 6: Troubleshooting	28
Table 1: Troubleshooting	28
System Specifications - 110 VAC and 220 VAC Wiring	30
220 VAC Basic System Wiring	30
110 VAC Basic System Wiring	31
IC15 SCG System Specifications and Wiring	33

IMPORTANT WARNINGS AND SAFETY INSTRUCTIONS

SAVE THESE INSTRUCTIONS



Important Notice: Attention Installer: This manual contains important information about the installation, operation and safe use of this product. This information should be given to the owner and/or operator of this equipment. When installing and using this electrical equipment, basic safety precautions should always be followed, including the following:



⚠ WARNING: IMPORTANT SAFETY INSTRUCTIONS PERTAINING TO A RISK OF FIRE, ELECTRIC SHOCK, OR INJURY TO PERSONS. READ AND FOLLOW ALL INSTRUCTIONS.

Before installing this product, read and follow all warning notices and instructions which are included. Failure to follow safety warnings and instructions can result in severe injury, death, or property damage. Call (800) 831-7133 for additional free copies of these instructions, or obtain a copy of these instructions at www.pentair.com



WARNING: To reduce the risk of injury, do not permit children to use this product.



WARNING: CHLORINE GAS BUILDUP CAN OCCUR WITH IMPROPER WIRING: To reduce the risk of personal injury the IntelliChlor® Salt Chlorine Generator (SCG) Power Center must be installed on and wired to the load side of the time clock, electronically controlled switch, or relay load side, so that it will receive power only when the pool pump is on. Otherwise, dangerous chlorine gas buildup can occur. The IECG should never be energized when the pool pump is OFF and water is not flowing through the unit.



WARNING: To reduce the risk of injury, service should only be performed by a qualified pool service professional.



WARNING: Never operate the IntelliChlor Salt Chlorine Generator (SCG) without proper flow or water circulation. A build-up of flammable gases will result in hazardous conditions.



CAUTION - IntelliChlor Salt Chlorine Generator (SCG) is for use with permanently-installed pools and may also be used with hot tubs and spas if so marked. Do not use with storable or steel pools. A permanently-installed pool is constructed in or on the ground or in a building such that it cannot be readily disassembled for storage. A storable pool is constructed so that it is capable of being readily disassembled for storage and reassembled to its original integrity.



CAUTION - When using the IntelliChlor Salt Chlorine Generator (SCG) with an IntelliTouch®, EasyTouch® or SunTouch® Control System, always wire the IntelliChlor Salt Chlorine Generator (SCG) Power Center to the pump side of the relay located in the IntelliTouch, EasyTouch or SunTouch load center. This wiring method does not require a ground fault circuit-interrupter (GFCI) to protect the circuit. A green colored terminal (or a wire connector marked "G", "GR", "Ground" or "Grounding") is provided within the terminal compartment in the Power Center transformer enclosure. To reduce risk of electric shock, connect this terminal or connector to the grounding terminal of your electric service or supply panel with a conductor equivalent in size to the circuit conductors supplying this equipment. The power supply must be interconnected with pool pump motor power source. This insures the SCG and pool pump will switch on and off together.

IMPORTANT WARNING AND SAFETY INSTRUCTIONS

SAVE THESE INSTRUCTIONS



WARNING: When mixing acid with water, **ALWAYS ADD ACID TO WATER. NEVER ADD WATER TO ACID.**

CAUTION - Use of chemicals other than those recommended may be hazardous. Even proper use of the recommended chemicals can be hazardous. Follow the Chemical Manufacturer's Instructions.

CAUTION - To reduce the risk of electric shock, install IntelliChlor Salt Chlorine Generator (SCG) a minimum of five (5) feet away from the inside wall of the pool.

CAUTION - Install the IntelliChlor SCG a minimum of three (3) feet away from the heater outlet.

CAUTION - A solid copper, bonding conductor not smaller than No. 8 AWG (8.4 mm) should be connected from the accessible wire connector on the unit to all metal parts of the swimming pool, spa, or hot tub structure and to all electrical equipment, metal conduit, and metal piping within five (5) feet (1.5 m) of the inside walls of a swimming pool, spa, or hot tub, when the unit is installed within five (5) feet of the inside walls of the swimming pool, spa, or hot tub.

Canada - Industry Canada (IC) - This device complies with RSS210 of Industry Canada. (1999)

FCC Standard - 47 CFR Part 15, Subpart C (Section 15.247). This version is limited to chapter 1 to chapter 11 by specified firmware controlled in the U.S.A.

Federal Communications Commission (FCC) - This device complies with Part 15 of the FCC Rules. Operation is subject to the following two conditions: (1) this device may not cause interference, and (2) this device must accept any interference, including interference that may cause undesired operation of the device.

Interference Statement - This equipment has been tested and found to comply with the limits for a Class B digital device, pursuant to Part 15 of the FCC Rules. These limits are designed to provide reasonable protection against harmful interference in a residential installation. This equipment generates, uses and can radiate radio frequency energy and, if not installed and used in accordance with the instructions, may cause harmful interference to radio communications. However, there is no guarantee that interference will not occur in a particular installation. If this equipment does cause harmful interference to radio or television reception, which can be determined by turning the equipment off and on, the user is encouraged to try to correct the interference by one or more of the following measures:

- Reorient or relocate the receiving antenna.
- Increase the separation between the equipment and receiver.
- Connect the equipment into an outlet on a circuit different from that to which the receiver is connected.
- Consult the dealer or an experienced radio/TV technician for help.

Note: Modifications not expressly approved by the party responsible for FCC compliance could void the user's authority to operate the device.



CAUTION - The IntelliChlor IC15 Power Supply must be interconnected with pool pump motor power source. This ensures the IntelliChlor SCG and pool pump will switch on and off together. When the IntelliChlor SCG IC15 is installed in Europe. The IntelliChlor IC15 power supply fuses must **ONLY** be obtained from the manufacturer.



WARNING - The IntelliChlor IC15 Power Supply is only intended for use with the IntelliChlor SCG IC15 cell, **DO NOT PLUG ANY OTHER INTELLICHLOR CELL INTO THIS POWER SUPPLY, SEVERE DAMAGE WILL RESULT.**

IntelliChlor® Salt Chlorine Generator (SCG) Overview

The IntelliChlor Salt Chlorine Generator (SCG) uses a process known as electrolysis to produce chlorine gas which immediately dissolves into a solution to create Hypochlorite and Hypochlorous acid pool and spa water sanitizer from a low concentration of salt added to the pool water. Hypochlorite and Hypochlorous kill bacteria, oxidizes organic material, and kills algae, then reverts back to salt. The IntelliChlor SCG then reuses the salt and the process starts over again. The IntelliChlor SCG residential system is comprised of the IntelliChlor SCG cell and Power Center.

⚠ CAUTION

The IntelliChlor SCG is designed only to produce chlorine. The IntelliChlor SCG does not monitor or control chlorine levels in the pool or spa water. It is the pool owner's responsibility for monitoring and maintaining free chlorine levels at the APSP recommended range of 2.0 to 4.0 parts per million (ppm). It is the pool owner's responsibility to check, on a regular basis, the free chlorine level while the pool pump is running, and adjust the IntelliChlor SCG accordingly.

⚠ WARNING

Salt is an inherently corrosive material. While the levels of salt required for proper operation of the IntelliChlor SCG are relatively low when compared to sea water and other salt solutions, placing any amount of salt in your pool increases the likelihood of corrosion or other deterioration of pool equipment and any surfaces used in and around your pool. Metal parts (including steel pools) and certain natural and man-made surfaces are particularly susceptible to corrosion and deterioration when used in and around salt water pools. Pentair Water Pool and Spa, Inc. ("Pentair") does not represent or otherwise guarantee that the proper use of the IntelliChlor SCG will prevent corrosion or other deterioration of pool equipment and any surfaces used in and around your pool. Consult your experienced pool professional, who should be able to advise you on the proper material selection, installation techniques for those materials, and the proper use, care and maintenance of those materials for your specific pool type and location in order to minimize the corrosion and deterioration that is inherent in and around salt water pools.

⚠ CAUTION

FOR ALL NEWLY CONSTRUCTED OR RESURFACED PLASTER POOLS: Do not operate the IntelliChlor SCG with newly poured or resurfaced pool plaster. Salt is a corrosive element and severe salt damage can occur to your pool. Wait at least ONE (1) MONTH after construction to allow plaster to cure before adding salt and operating IntelliChlor SCG. Follow the pool surface manufacturer's guidelines for your specific pool. FOR NEW VINYL LINER POOLS, contact the manufacturer for recommended guidelines before adding salt and operating the IntelliChlor SCG.

IntelliChlor® SCG Models

An IntelliChlor Salt Chlorine Generator system consists of one or more of the following. Note: The cell will produce pure chlorine per 24 hours of continuous pool pump run time.

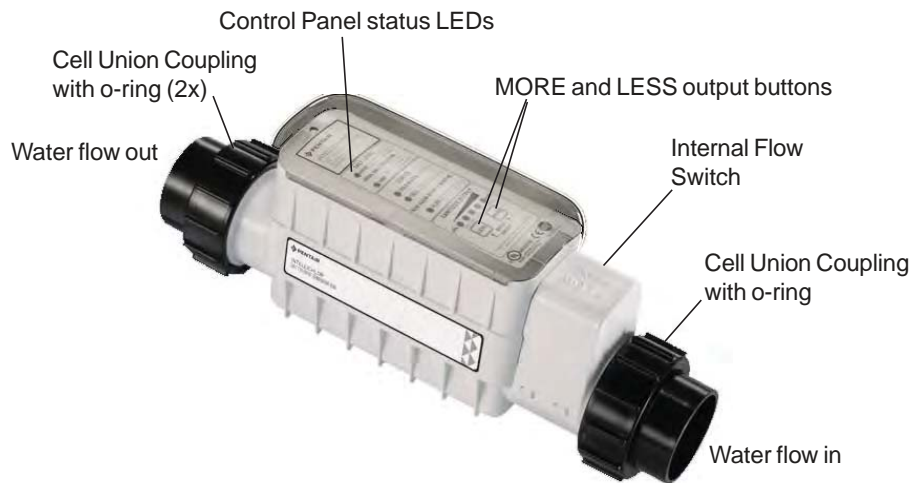
	Pool Size: US Gal. (Liter)	Chlorine Produced Lbs. (Kg.) Per 24 Hour
IC15 Cell (P/N 520888)	15,000 (781)	0.60 (0.27)
IC20 Cell (P/N 520554)	20,000 (75)	0.70 (0.32)
IC40 Cell (P/N 520555)	40,000 (150)	1.40 (0.64)
IC60 Cell (P/N 520105)	60,000 (227)	2 (0.1)

- **PC100 (P/N 520556):** Power Center Kit (sold separately). Provides power and control communication to and from the IntelliChlor cell. Used for IC20, IC40 and IC60 IntelliChlor SCG cell.
- **IntelliChlor "pass-through" cell (P/N 520588):** For new pool start-up.

Note: IC15 cell includes Power Supply (P/N 520888).

IntelliChlor SCG Control Panel and Cell Description

The IntelliChlor SCG includes a control panel with buttons and LED indicators to control the IntelliChlor SCG and produce chlorine (see page 7). The IntelliChlor SCG measures the water temperature and salt level to produce chlorine at the defined output. If the salt level in the pool water is too low (red on salt display), the cell is turned off until salt is added to the pool. The SCG cell has a self-cleaning cycle which reverses the cell polarity, reducing calcium buildup. This feature turns the cell on and off at regular intervals to minimize calcium and scale buildup and further maximizes cell life (see page 15).



IntelliChlor® Salt Chlorine Generator (SCG) Cell

System Components

The chlorine production can be varied by either adjusting the sanitizer output level on the control panel and/or by varying the number of hours the IntelliChlor SCG is on each day. ***The IntelliChlor SCG automatically reverses the cell electrode blades every few hours to help clean the cell. This process does not interrupt the production of Chlorine.***

- **Flow Sensor:** A flow sensor assures that there will always be adequate water flow through the IntelliChlor SCG. If the IntelliChlor SCG is not properly plumbed and/or does not receive adequate water flow, no chlorine will be produced.
- **Temperature Sensor:** To protect the IntelliChlor SCG from operation and potential damage when the temperature of the pool water falls below 52° F, $\pm 3^{\circ}$ F (11° C, $\pm 1.67^{\circ}$ C), the temperature sensor switches the IntelliChlor SCG off, illuminates the COLD WATER light and no chlorine will be produced.
- **Salt Sensor:** Two (2) salt sensor probes in the IntelliChlor SCG are activated each time the IntelliChlor SCG is switched on and again during every 12 hours of operation. At each of those times, the salt level LED indicator lights flash in a scrolling sequence for two (2) minutes to indicate that the IntelliChlor SCG is in analysis mode. After two (2) minutes, the LED indicators lights will signal one (1) of three (3) salinity ranges. For more information, see “Salt Level Status LEDs” on page 7.

Note: *The salt sensor reading is within +/- 500 ppm accuracy.*

IntelliChlor® SCG Power Center (IC20, IC40 IC60)

The IntelliChlor Power Center converts AC electrical current to a low-voltage DC electrical current which is required to produce chlorine. The power supply is connected with the pool circulation pump electrical source so that the IntelliChlor SCG only operates when the pool pump is on. The Power Center should be mounted vertically on the wall up to fifteen (15) feet away from the IntelliChlor SCG. The Power Center contains the transformer, fuse, connector to the cell and the AC electrical current wiring configuration with the DC electrical current output cable to the IntelliChlor SCG. A fuse is mounted on circuit board inside the enclosure for additional protection. There are no other controls or lights on the Power Center. For information about installing and proper use of the Power Center, see the “IntelliChlor Power Center Installation Guide,” (P/N 520590).



WARNING: CHLORINE GAS BUILDUP CAN OCCUR WITH IMPROPER WIRING: To reduce the risk of personal injury the IntelliChlor SCG Power Center must be installed on and wired to the load side of the time clock, electronically controlled switch, or relay load side, so that it will receive power only when the pool pump is on. Otherwise, dangerous chlorine gas buildup can occur. The IntelliChlor SCG should never be energized when the pool pump is OFF and water is not flowing through the unit.



CAUTION - Before plugging or unplugging the IntelliChlor SCG to the Power Center, first switch off the AC power to the Power Center.

IntelliChlor SCG Power Center (Model PC 100).
Used with IC20, IC40 IC60

IntelliChlor SCG IC15 Power Supply

The IntelliChlor SCG IC15 Power Supply converts AC electrical current to a low-voltage AC electrical current which is required to produce chlorine. The Power Supply should be connected with the pool circulation pump electrical source so that the IntelliChlor SCG only operates when the pool pump is on. A 15 ft. cord connected to the IC15 unit plugs into the Power Supply which plugs directly into a 110VAC outlet. The Power Supply can be mounted vertically on the wall up to fifteen (15) feet away from the IntelliChlor SCG. The Power Supply contains the transformer, fuse (1.5 AMP 250 V, 3 AG), connector to the cell and the AC electrical cord with plug. There are no other controls or lights on the Power Supply. The Power Supply must be connected to a GFCI protected outlet.



WARNING: CHLORINE GAS BUILDUP CAN OCCUR WITH IMPROPER WIRING: To reduce the risk of personal injury the IntelliChlor SCG Power Center must be installed on and wired to the load side of the time clock, electronically controlled switch, or relay load side, so that it will receive power only when the pool pump is on. Otherwise, dangerous chlorine gas buildup can occur. The IntelliChlor SCG should never be energized when the pool pump is OFF and water is not flowing through the unit.



CAUTION - First switch OFF AC power to the Power Supply before plugging or unplugging the IntelliChlor IC15.

IntelliChlor SCG IC15 External Power Supply

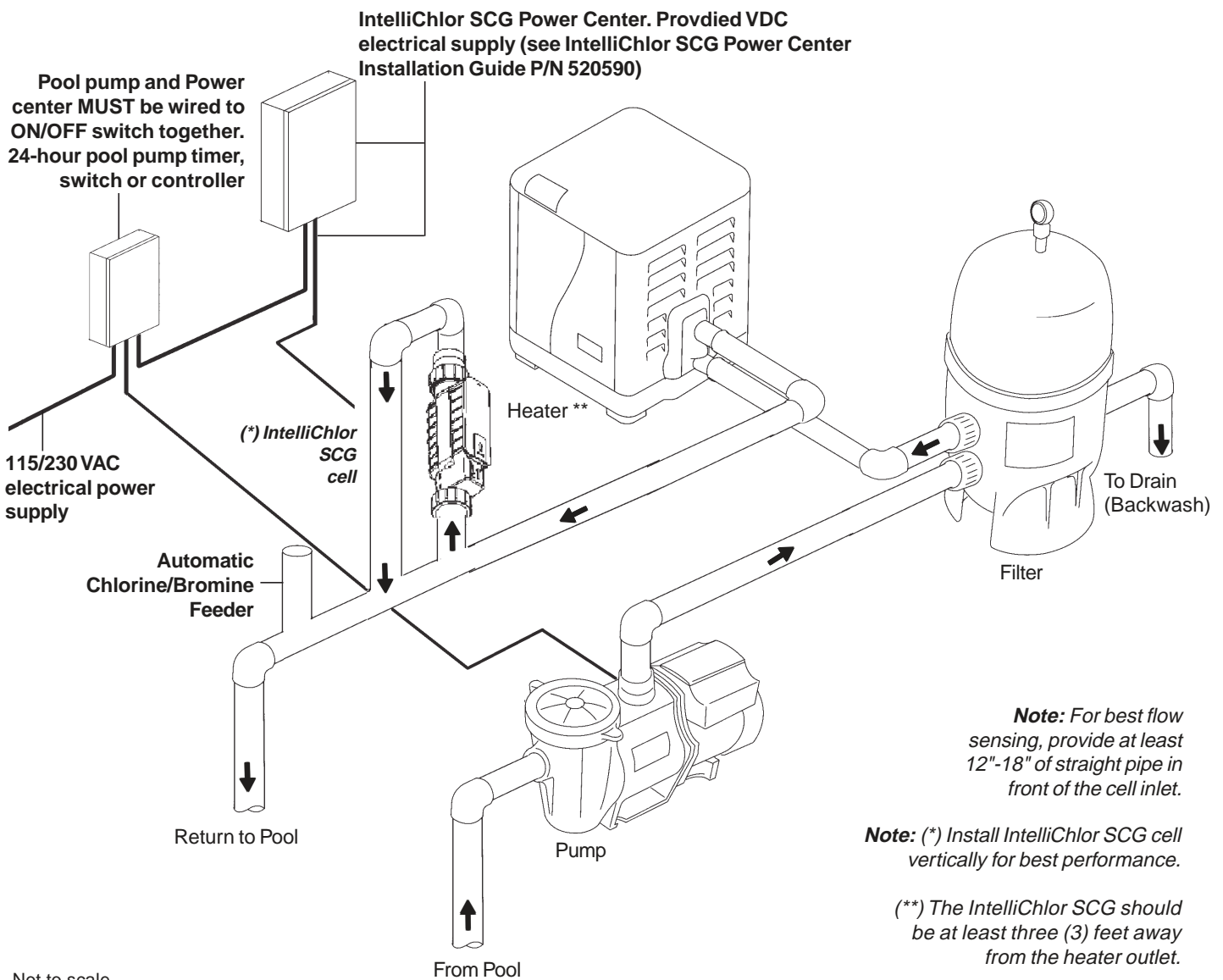
System Schematic Diagram

The following schematic diagram shows a typical IntelliChlor® SCG system installation.

Note: Refer to the relevant portions of this Installation and User's Guide for information regarding proper placement and spacing of all equipment depicted in the schematic diagram shown below. The schematic diagram is not drawn to scale.

Install Chlorine/Bromine Feeders after the IntelliChlor® SCG Cell

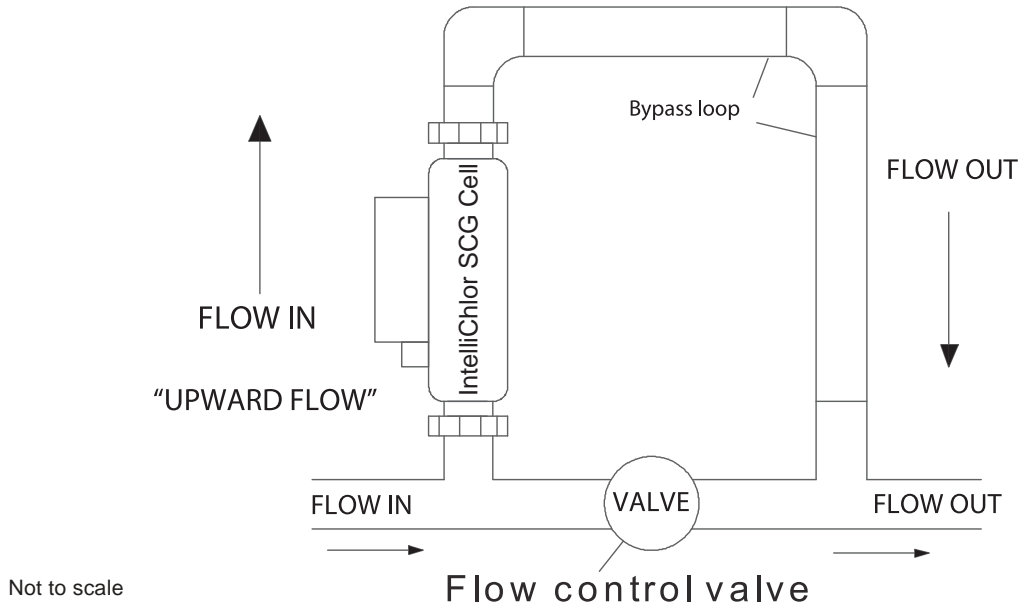
⚠ CAUTION - To avoid permanent damage to the IntelliChlor SCG cell, in-line chlorine/bromine feeders (such as Pentair Aquatic Systems Rainbow® models) **MUST** be installed **AFTER** the IntelliChlor SCG cell as shown below. When using the IntelliChlor SCG with an in-floor cleaning system, it is recommended that a separate return line be used for the cleaner to reduce the increased water pressure stress on the IntelliChlor cell.



IntelliChlor SCG System Schematic Diagram

Loop Plumbing Diagram

The IntelliChlor® SCG is designed to operate with water flow rates from 25 +/- 5 gallons per minute (gpm) up to 105 gpm. Refer to the pipe manufacturer specifications for recommended maximum flow rate. For flow rates over 80 gpm you must use a bypass loop (as shown below) for best chlorine production. Installations with flow rates over 80 gpm include those that have in-floor cleaning systems or booster pumps. These systems **MUST** use a bypass loop with the IntelliChlor SCG with a flow control valve that assures that the flow through the IntelliChlor SCG is maintained within its designed operating water flow rates.

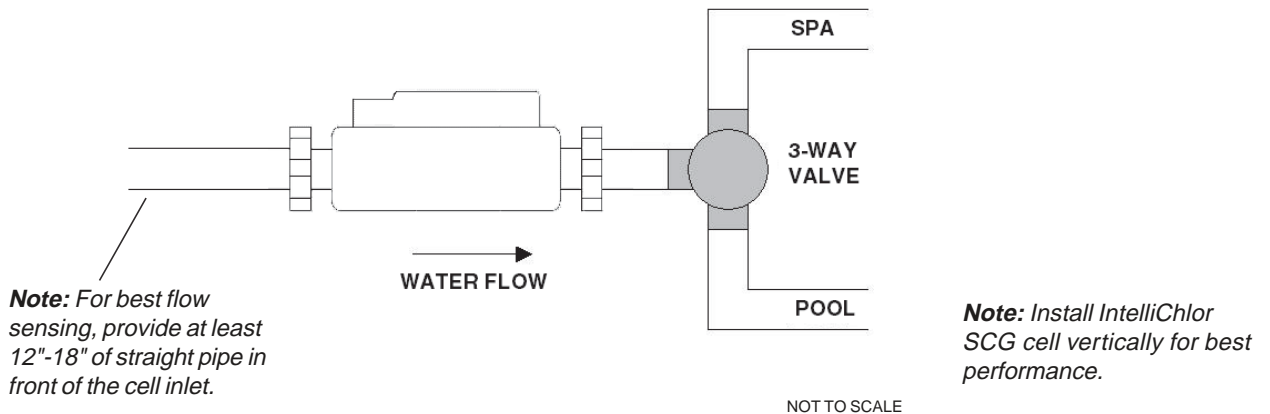


IntelliChlor SCG System Loop Plumbing Diagram

IntelliChlor SCG Plumbing Diagram

Plumbing the IntelliChlor® Salt Chlorine Generator:

- Always install the IntelliChlor SCG **AFTER** the filter and heater (see “System Schematic Diagram” on page 4). The IntelliChlor SCG should be at least three (3) feet away from the heater outlet.
- If the IntelliChlor SCG is installed on a pool/spa combination system, install (see diagram below) the IntelliChlor SCG **BEFORE** the pool/spa return valve to allow proper chlorination of both the pool and spa and also to avoid creating gas being trapped in the pool plumbing.



IntelliChlor SCG System Plumbing Diagram


Pool Water Preparation

Determining Pool Size (Gallons of Water in Your Pool)

- **Rectangular Pools:** Length x width x average depth x 7.5
- **Circular Pools:** Diameter x diameter x average depth x 5.9
- **Oval Pools:** Length x width x average depth x 6.7
- **Sloping Sides:** Multiply total gallons by 0.85 = gallon capacity

Determining Pool Size (liters of water in your pool)

- **Rectangular Pools:** Length x width (meters) x average depth x 1000
- **Circular Pools:** Diameter x diameter x average depth x 785
- **Oval Pools:** Length x width (meters) x average depth x 893
- **Sloping Sides:** Multiply total liters by 0.85 = liter capacity.

 **CAUTION - Never use dry acid (sodium bisulfate) to adjust pH in arid geographic areas with excessive evaporation and minimal dilution of pool water with fresh water. A buildup of byproducts can damage the IntelliChlor® SCG.**

Section 1

IntelliChlor® SCG Control Panel

Salt Level Status LEDs

The IntelliChlor SCG checks the pool salinity water daily and displays the levels as follows:

- ❶ **Green LED: Good salt.** The pool water salt level is between 2800 ppm and 4500.

Green LED (Flashing): Salt level is above 4500 ppm. The salt level is high which increases the risk of corrosion and deterioration of pool equipment and surfaces in and around the pool.

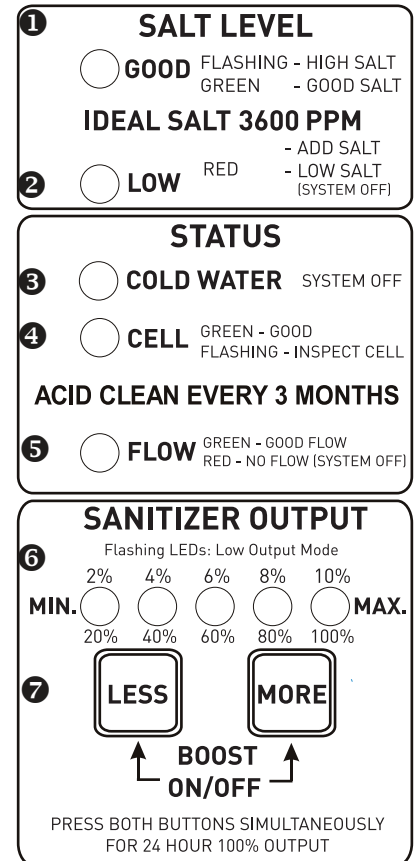
- ❷ **Red LED: Low salt.** The water salt level is below 2800 ppm. The IntelliChlor SCG will be producing chlorine at reduced efficiency. It is highly recommended to add salt. See (*) Note below.

Red LED: Very low salt. The water salt level has fallen below 2600 ppm. The IntelliChlor SCG will not produce chlorine until salt is added. The IntelliChlor SCG is OFF. See (*) Note below.

NOTE (*): After every salt addition, pump should be allowed to run for at least 24 hours for proper dilution. Salinity readings should only be taken, after the dilution period.

Status LEDs

- ❸ **Cold Water:** Shows the IntelliChlor SCG power status:
- **No Light:** The IntelliChlor SCG is operating in the normal temperature range (> 52° F (11° C))
 - **Red:** The IntelliChlor SCG is in “Standby” mode (system off, no chlorine production) due to a cold water condition. The IntelliChlor SCG will resume to normal operation mode, including accurate salinity report, once water temperature goes above 52° F (11° C).
- ❹ **Cell:** Shows the status of the IntelliChlor SCG.
- **Green (flashing):** The IntelliChlor SCG needs to be inspected. The blades may have calcium buildup. The IntelliChlor SCG is not producing chlorine.
 - **Green:** IntelliChlor SCG is good and producing chlorine
- No Light:** IntelliChlor SCG is off and not producing chlorine. It may be in an off-period of the sanitizing cycle and will return on shortly.
- ❺ **Flow:** This light indicates the status of water flowing through the IntelliChlor SCG.
- **Red:** Insufficient water flow through the IntelliChlor SCG, no chlorine is being produced.
 - **Green:** Sufficient water flow to produce chlorine.
- ❻ **Sanitizer Output LED indicators:** See page 8.
- ❼ **Less / More Buttons:** Controls the percentage of the total output capacity that the IntelliChlor SCG is producing while the pump is on (see Sanitizer Output LED indicators above). See page 8.



Operator Control Panel (continued)

Sanitizer Output LED Indicators

The five (5) LED indicators display as a bar graph to show the cell output in either 2% or 20% increments, the percentage of the total output capacity of chlorine being produced. Percentages from 2% to 10% are represented by blinking LEDs. Percentages from 20% to 100% are represented by solid LEDs. In BOOST mode, these LEDs scroll from left to right.

0%	No LEDs lit - No chlorine produced - IntelliChlor SCG is off.
2%	1 LED blinking Produces chlorine for 64 seconds of every hour.
4%	2 LEDs blinking Produces chlorine for 127 seconds of every hour.
6%	3 LEDs blinking Produces chlorine for 16 seconds of each 5 minute period.
8%	4 LEDs blinking Produces chlorine for 21 seconds of each 5 minute period.
10%	5 LEDs blinking Produces chlorine for 27 seconds of each 5 minute period.
20%	1 LED solid Produces chlorine for 53 seconds of each 5 minute period.
40%	2 LEDs solid Produces chlorine for 106 seconds of each 5 minute period.
60%	3 LEDs solid Produces chlorine for 159 seconds of each 5 minute period.
80%	4 LEDs solid Produces chlorine for 212 seconds of each 5 minute period.
100%	5 LEDs solid Produces chlorine for 265 seconds of each 5 minute period.

More and Less Output Buttons

The More and Less buttons control the percentage of the total output capacity that the IntelliChlor SCG is producing while the pump is on (see Sanitizer Output LED indicators above). The lights act as a bar graph: the more lights that are on, the more chlorine is produced. Blinking LEDs represent 2%, 4%, 6%, 8% & 10% while solid LEDs represent 20%, 40%, 60%, 80% and 100%. Slide the panel cover up to access the More, Less and Boost On/Off buttons. *Note: When an IntelliChlor is connected to an IntelliTouch®, EasyTouch® or SunTouch® Control System, the Less and More buttons are disabled and IntelliChlor SCG Sanitizer Output is controlled externally.*

More: Increases the output of the cell in 2% increments up to 10% and then 20% increments. Example: The Sanitizer Output display is showing 8%. Pressing the MORE button once will blink the 10% light. The unit will produce chlorine at 10% of total capacity. Pressing MORE again will turn on the 20% light, and so on until all five (5) lights are on solid.

Less: Decreases the time the cell produces chlorine, in either 2% or 20% increments (from 20% to 100%). Example: The Sanitizer Output display is showing 40%. Pressing the LESS button once will turn off the 40% light, leaving only the 20% light. The unit will produce 20% of total capacity of the cell. Pressing LESS again will turn go to 10% (all 5 LEDs blinking).

Boost On/Off: Press both the More and Less buttons together to turn Boost mode on or off. Boost mode sets the sanitizer output to run 100% for the next 24 hours of pool pump run time. If the time clock switches off the pump cycle, then switches power back on the next day, Boost mode will continue until 24 hours has elapsed since Boost mode was turned on or Boost mode is canceled by the user. The Sanitizer Output display will scroll the output LEDs to indicate Boost mode.

Self-Cleaning

The self-cleaning feature reduces scale buildup on the blades of the IntelliChlor SCG. The self-cleaning cycle tends to reduce the life of the IntelliChlor SCG, therefore, it should be used only to the extent necessary to minimize the scale buildup on the blades. It is factory set to two (2) hours for the first 30 days of operation, then automatically switches to three (3) hours.

Section 2

Pool Water Chemistry, Conditions and Precautions

This section describes the start up procedure and operating instructions for IntelliChlor® SCG.

⚠ CAUTION: The use of dry acid (sodium bisulfate) to adjust pool pH is discouraged especially in arid regions where pool water is subject to excessive evaporation and is not commonly diluted with fresh water. Dry acid can cause a buildup of by-products that can damage your chlorinator cell.

Pool Water Chemistry, Conditions and Precautions

1. **New Pool Water:** A recently filled or newly-refinished pool may contain undesirable matter. This undesirable matter could interfere with the IntelliChlor SCG's ability to chlorinate properly. Make sure the water is tested by a pool professional and properly balanced before switching on the IntelliChlor SCG.

⚠ WARNING

Salt is an inherently corrosive material. While the levels of salt required for proper operation of the IntelliChlor SCG are relatively low when compared to sea water and other salt solutions, placing any amount of salt in your pool increases the likelihood of corrosion or other deterioration of pool equipment and any surfaces used in and around your pool. Metal parts (including steel pools) and certain natural and man-made surfaces are particularly susceptible to corrosion and deterioration when used in and around salt water pools. Pentair Water Pool and Spa ("Pentair") does not represent or otherwise guarantee that the proper use of the IntelliChlor SCG will prevent corrosion or other deterioration of pool equipment and any surfaces used in and around your pool. Consult your experienced pool professional, who should be able to advise you on the proper material selection, installation techniques for those materials, and the proper use, care and maintenance of those materials for your specific pool type and location in order to minimize the corrosion and deterioration that is inherent in and around salt water pools.

2. **Super Chlorination** burns out the swimmer waste that has combined with chlorine. This frees the chlorine for sanitizing. This is accomplished by raising the chlorine level quickly and dramatically. When the chlorine level is raised to ten (10) times the amount of combined chlorine the pool water is said to have been super chlorinated. As pool water is continuously passed through the IntelliChlor SCG while the unit is powered on, the water inside the IntelliChlor SCG is being super chlorinated. *Note: On initial start-up of a pool, it is best to super chlorinate using an outside source, i.e., use a shock treatment available at your local pool supplier.*
3. **Chloramines** should not be present in pool water. Chloramines are formed when ammonia (which is found in urine and sweat) combine with free chlorine. This ties up the free chlorine in your pool and does not allow the chlorine in your pool to disinfect. Chloramines also burn the eyes and are foul smelling. Super Chlorinate to remove chloramines at the initial start-up of the pool and as needed to maintain proper levels of free chlorine.
4. **Cyanuric acid** is needed in outdoor pools to help to stabilize and maintain proper levels of chlorine. 90% of unstabilized chlorine is destroyed by the UV radiation from the sun within two hours. Cyanuric acid stabilizes chlorine in water from UV degradation. When using the IntelliChlor SCG, the cyanuric acid level should be maintained between 30-50 ppm. See Table 2, on page 13. **NOTE: DO NOT USE CYANURIC ACID IN INDOOR POOLS.**
5. **Total Dissolved Solids (TDS):** Adding salt to pool water will raise the TDS level. While this does not adversely affect the pool water chemistry or clarity, the pool water professional testing for TDS must be made aware salt has been added to the IntelliChlor SCG system. The individual performing the TDS test (see page 19) may then subtract the salinity level to arrive at a TDS level that would be compatible to a TDS reading for a non-salt water pool.

Continue on next page.

Pool Water Chemistry, Conditions and Precautions (Continued)

6. **Metals** - Some metals, i.e. copper and iron, can cause loss of chlorine. Also, metals can stain your pool. Metals can also damage the IntelliChlor® SCG. Have your local pool professional check for metals and recommend methods of removal.
7. **Nitrates and Phosphates** can cause extremely high chlorine demands and will deplete chlorine from your swimming pool. In some cases nitrates may even lower your chlorine levels to zero. Your local pool professional can test for nitrates and phosphates. While a 0 ppm level of nitrates is the ideal, the pool owner should make sure that nitrates **DO NOT** exceed 10 ppm. Phosphates should not exceed 125 parts per billion (ppb).

Optimum Pool Water Chemistry Conditions for Salt Water Pools

(using the IntelliChlor SCG)

In accordance with the Association of Pool and Spa Professionals (APSP) standards, it is recommended that the following pool water chemistry conditions be maintained on an on going basis to help protect pool users, pool related equipment and surfaces in and around the pool. These values are important to maintaining the pool equipment in proper operating condition and preventing corrosion. For more information, refer to your local agency having jurisdiction, NSPI (National Spa and Pool Institute), the CDC (Centers for Disease Control), or the WHO (World Health Organization).

Free Chlorine:	2.0 - 4.0 ppm. Above 4.0 ppm may cause corrosion of metal components
Combined Chlorine (Chloramines):	None (super chlorinate to remove all chloramines)
pH:	7.2 - 7.8 (USE MURIATIC ACID to lower pH and Soda Ash to raise pH.)
Cyanuric Acid:	30 - 50 ppm
Total Alkalinity:	80 - 120 ppm
Calcium Hardness:	200 - 400 ppm
TDS (includes salt):	3000 minimum to 5700 to 6000 maximum ppm
Salt:	3600 - 4500 ppm (ideal 3600 ppm)
Metals (Copper, Iron, Manganese):	None
Nitrates:	None
Phosphates:	Less than 125 ppb
Saturation Index	-.3 to .3 (zero (0) best)

Covered Pools and Vinyl Liner Pool and Lowering Chlorine Output Levels

When using the IntelliChlor SCG with covered pools and/or vinyl liner pools, less chlorine is needed. It is recommend to lower the chlorine output level while the pool is covered. For more information about chlorine output levels, see “More or Less Output Buttons” page 8.

Chlorine Testing

It is recommended that chlorine test samples be taken from two (2) locations in the pool. Compare the samples. A higher level should be found at the pool return line. The higher level at the pool return line indicates the IntelliChlor® SCG is producing chlorine. Take chlorine samples for testing at:


- The pool return line.
- 18 inches (457 mm) below the surface and well away from the pool return line.

What Type of Salt to Use

Use salt that is at least 99.8% pure NaCl, sodium chloride. The preferred and recommended salt is an evaporated, granulated, food quality, non-iodized salt with no additives. Consult your salt supplier.

- Avoid using salt with anti-caking agents (sodium ferrocyanide, also known as YPS or yellow prussiate of soda). Filling agents can cause some discoloration of fittings and surface finishes in pool.
- Water conditioning salt pellets are compressed forms of evaporated salt and may be used, but will take longer to dissolve. Such pellets could damage pool plaster and other surfaces in and around the pool.
- Do not use calcium chloride or potassium chloride as a source of salt. (Use sodium chloride only).
- Do not use Rock salt (insoluble impurities mixed with the rock salt can shorten the life of the IntelliChlor SCG).

How Much Salt to Use?

 **CAUTION - FOR ALL NEWLY SURFACED PLASTER POOLS:** Do not operate the IntelliChlor SCG with newly surfaced pool plaster. Salt is a corrosive element and severe salt damage can occur to your pool. Wait at least ONE (1) MONTH after construction to allow plaster to cure before adding salt and operating IntelliChlor SCG. Follow the pool surface manufacturer's guidelines for your specific pool.

FOR NEW VINYL LINER POOLS, contact the manufacturer for recommended guidelines before adding salt and operating the IntelliChlor SCG.

Use Table 2 (page 14) to determine how much salt will be needed. Most pools contain some salt, depending on the water source and chemicals used for sanitizing. Therefore, the pool owner must always test salt levels before adding salt. A hand held meter calibrated for NaCl (salt) can be used to determine the salt levels of the water. After the IntelliChlor SCG is powered on, the LED salt level lights will blink from bottom to top for two (2) minutes while it analyzes the pool water, then the LED indicators will show one (1) of four (4) salt level ranges. See “Salt Status LEDs” on page 7 for more information.

- 3600 ppm of salt is recommended for optimum water condition.
- Low salt concentration below 2600 ppm will cause the unit to turn off
- High salt concentration above 4500 ppm may cause excessive corrosion or deterioration to pool equipment and surrounding surfaces in and around the pool.

Note: Salt measurements will vary between measuring devices (salt test strips, electronic testers, and titration). The salt sensor reading is within +/- 500 ppm accuracy. For more troubleshooting information about high salt levels, see “Troubleshooting,” on page 28.

Calculating the Saturation Index

The saturation index is a formula that measures a solution ability to dissolve or deposit calcium carbonate and is used as an indicator of the corrosivity of the solution and temperature. A well balanced water will have a formula result ranging between -0.3 and +0.3. Outside this range, the pool water is considered out of balance, potentially damaging pool equipment or scaling the IntelliChlor SCG. The equation to calculate Si is:

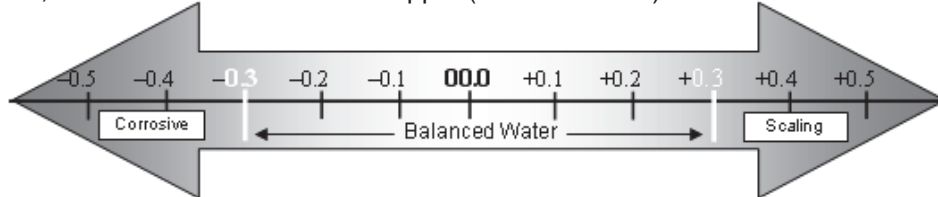
$$SI = pH + CHF + AF + TF + TDSF$$

Satura- tion Index	pH as tested	Calcium Hardness Factor	Alkalinity Factor	Tempera- ture Factor	TDS Factor
--------------------------	-----------------	-------------------------------	----------------------	----------------------------	---------------

Cyanuric acid in the form of cyanurate ions contribute to alkalinity. Thus, a correction must be made to total alkalinity. We subtract 1/3 of the cyanuric acid level from the reading obtained in the total alkalinity test.

$$\text{Total Alkalinity} - \frac{1}{3} \text{Cyanuric Acid} = \text{Corrected Alkalinity}$$

This correction can be considerable in established pools with high cyanuric acid levels; for example, at 100 ppm cyanuric acid, the correction amounts to 33 ppm (100 ÷ 3 = 33.3).



TDS Factor (Factors shown below are based on the actual measured value for the particular parameter)

TDS	Factor
<1000	12.10
1000	12.19
2000	12.29
3000	12.35
4000	12.41
5000	12.44

Langelier Saturation Index Factors

Temperature		TF	Calcium Hardness		Total Carbonate Alkalinity	
°F	°C		ppm (mg/L)	CHF	ppm (mg/L)	AF
32	0.0	0.0	25	1.0	25	1.4
37	2.8	0.1	50	1.3	50	1.7
46	7.8	0.2	75	1.5	75	1.9
53	11.7	0.3	100	1.6	100	2.0
60	15.6	0.4	125	1.7	125	2.1
66	18.9	0.5	150	1.8	150	2.2
76	24.4	0.6	200	1.9	200	2.3
84	28.9	0.7	250	2.0	250	2.4
94	34.4	0.8	300	2.1	300	2.5
105	40.6	0.9	400	2.2	400	2.6
			800	2.5	800	2.9

Note: Use the reading closest to your actual reading in choosing the factor.

Total alkalinity in this context refer to the total of carbonate and bicarbonate alkalinity. If cyanuric acid is used, a correction factor must be used (see cyanuric acid Table 1 on page 13).

How to Add Salt to the Pool

⚠ CAUTION - FOR ALL NEWLY SURFACED PLASTER POOLS: Do not operate the IntelliChlor SCG with newly surfaced pool plaster. Salt is a corrosive element and severe salt damage can occur to your pool. Wait at least ONE (1) MONTH after construction to allow plaster to cure before adding salt and operating IntelliChlor SCG. Follow the pool surface manufacturer's guidelines for your specific pool. **FOR NEW VINYL LINER POOLS,** contact the manufacturer for recommended guidelines before adding salt and operating the IntelliChlor SCG.

1. Check salt level in the water before adding any salt to pool.
2. Determine the amount of salt from the following chart.
3. Slowly pour the salt around the outer perimeter of the pool for quick and even distribution. *To avoid clogging the filter or damaging pool related equipment and surrounding surfaces, do not add salt through the skimmer or surge tank.*
4. Brush the pool bottom and allow water to circulate for 24 hours to dissolve salt completely.
5. After 24 hours, verify correct salt level reading by checking the LED indicators on the IntelliChlor SCG and by a separate reliable test method.
6. Power on the IntelliChlor® SCG and set the Sanitizer Output level to the proper setting to maintain the appropriate free chlorine levels in the pool water (i.e., within the 2.0 - 4.0 ppm, APSP recommended range).

Table 1. Approximate amount of stabilizer (cyanuric acid) to obtain 40 ppm in pool

Current Cyanuric Acid Level - ppm	10,000 g (38,000 L)	12,000 g (45,425 L)	14,000 g (53,000 L)	16,000 g (60,600 L)	18,000 g (68,137 L)	20,000 g (76,000 L)	22,000 g (83,300 L)	24,000 g (90,850 L)	26,000 g (98,421 L)	28,000 g (106,000 L)	30,000 g (134,000 L)
0	3.25 (1.47 kg)	3.90 (1.77 kg)	4.55 (2.6 kg)	5.20 (2.36 kg)	5.85 (2.65 kg)	6.50 (2.94 kg)	7.15 (3.24 kg)	7.80 (3.53 kg)	8.45 (3.83 kg)	9.10 (4.12 kg)	9.75 (4.42 kg)
10	2.43 (1.10 kg)	2.92 (1.32 kg)	3.40 (1.54 kg)	3.89 (1.76 kg)	4.37 (1.98 kg)	4.86 (2.20 kg)	5.35 (2.42 kg)	5.83 (2.64 kg)	6.32 (2.86 kg)	6.80 (3.08 kg)	7.29 (3.30 kg)
20	1.62 (0.73 kg)	1.94 (0.88 kg)	2.27 (1.03 kg)	2.59 (1.17 kg)	2.92 (1.32 kg)	3.24 (1.47 kg)	3.56 (1.61 kg)	3.89 (1.76 kg)	4.21 (1.91 kg)	4.54 (2.05 kg)	4.86 (2.20 kg)

NOTE: The cyanuric acid reading should be maintained at 30 - 50 ppm.

See Table 2 (page 14) for approximate pounds (lbs) / kilogram (kg) of salt needed to obtain 3,600 ppm in pool.

POOL SIZE IN GALLONS

	10,000	15,000	20,000	25,000	30,000	35,000	40,000	45,000	50,000	55,000	60,000
0											
lbs	300.43	450.65	600.87	751.08	901.30	1051.52	1201.73	1351.95	1502.17	1652.39	1802.60
Kg	136.27	204.41	272.55	340.68	408.82	476.96	545.09	613.23	681.37	749.51	817.64
250											
lbs	279.57	419.36	559.14	698.93	838.71	978.50	1118.28	1258.07	1397.85	1537.64	1677.42
Kg	126.81	190.22	253.62	317.03	380.43	443.84	507.24	570.65	634.05	697.46	760.86
500											
lbs	258.71	388.06	517.41	646.77	776.12	905.47	1034.83	1164.18	1293.53	1422.89	1552.24
Kg	117.35	176.02	234.69	293.37	352.04	410.71	469.39	528.06	586.73	645.41	704.08
750											
lbs	237.84	356.76	475.69	594.61	713.53	832.45	951.37	1070.29	1189.22	1308.14	1427.06
Kg	107.88	161.83	215.77	269.71	323.65	377.59	431.53	485.48	539.42	593.36	647.30
1,000											
lbs	216.98	325.47	433.96	542.45	650.94	759.43	867.92	976.41	1084.90	1193.39	1301.88
Kg	98.42	147.63	196.84	246.05	295.26	344.47	393.68	442.89	492.10	541.31	590.52
1,250											
lbs	196.12	294.17	392.23	490.29	588.35	686.41	784.47	882.52	980.58	1078.64	1176.70
Kg	88.96	133.43	177.91	222.39	266.87	311.35	355.83	400.30	444.78	489.26	533.74
1,500											
lbs	175.25	262.88	350.51	438.13	525.76	613.39	701.01	788.64	876.26	963.89	1051.52
Kg	79.49	119.24	158.99	198.73	238.48	278.23	317.97	357.72	397.46	437.21	476.96
1,750											
lbs	154.39	231.58	308.78	385.97	463.17	540.36	617.56	694.75	771.95	849.14	926.34
Kg	70.03	105.04	140.06	175.07	210.09	245.10	280.12	315.13	350.15	385.16	420.18
2,000											
lbs	133.53	200.29	267.05	333.82	400.58	467.34	534.10	600.87	667.63	734.39	801.16
Kg	60.57	90.85	121.13	151.42	181.70	211.98	242.26	272.55	302.83	333.11	363.40
2,250											
lbs	112.66	168.99	225.33	281.66	337.99	394.32	450.65	506.98	563.31	619.64	675.98
Kg	51.10	76.65	102.21	127.76	153.31	178.86	204.41	229.96	255.51	281.06	306.62
2,500											
lbs	91.80	137.70	183.60	229.50	275.40	321.30	367.20	413.10	459.00	504.90	550.80
Kg	41.64	62.46	83.28	104.10	124.92	145.74	166.56	187.38	208.20	229.02	249.84
2,750											
lbs	70.94	106.40	141.87	177.34	212.81	248.28	283.74	319.21	354.68	390.15	425.61
Kg	32.18	48.26	64.35	80.44	96.53	112.62	128.70	144.79	160.88	176.97	193.05
3,000											
lbs	50.07	75.11	100.14	125.18	150.22	175.25	200.29	225.33	250.36	275.40	300.43
Kg	22.71	34.07	45.42	56.78	68.14	79.49	90.85	102.21	113.56	124.92	136.27
3,250											
lbs	29.21	43.81	58.42	73.02	87.63	102.23	116.84	131.44	146.04	160.65	175.25
Kg	13.25	19.87	26.50	33.12	39.75	46.37	53.00	59.62	66.24	72.87	79.49
3,500											
lbs	8.35	12.52	16.69	20.86	25.04	29.21	33.38	37.55	41.73	45.90	50.07
Kg	3.79	5.68	7.57	9.46	11.36	13.25	15.14	17.03	18.93	20.82	22.71

C U R R E N T S A L I N I T Y L E V E L

Table 2. Approximate pounds (lbs) / kilogram (kg) of salt needed to obtain 3,600 ppm in pool

Section 3

Operating IntelliChlor® SCG

This section describes the start up procedure and operating instructions for IntelliChlor® SCG.

Before starting up and operating the IntelliChlor SCG, the pool in which the IntelliChlor SCG will be used must have been completed and filled with water for at least one (1) month (for plaster pools) and the pool water salt level must be stable and being maintained at 3600 ppm.

Initial Start up Period

For the first thirty (30) days of cell operation, the self-cleaning cycle, is factory set to two (2) hours. After thirty (30) days has elapsed, the IntelliChlor SCG will automatically set itself to a three (3) hour self-cleaning cycle. This feature will clean the IntelliChlor SCG blades more often during the initial installation, then go to a more standard self-cleaning cycle for longer cell life.

Operation

IMPORTANT! Use of an external Pool Pump Timer is Required

The IntelliChlor SCG is designed to supply a sufficient amount of chlorine to sanitize pool water on a daily basis. If the pool pump is continuously running and the IntelliChlor SCG is operated 24 hours a day at 100%, more chlorine would be generated than would be needed by most pools (2-4 ppm, per APSP recommendations). The IntelliChlor SCG has its own internal timer which cycles the electrolytic cell on and off depending on what percent the Sanitizer Output is set. For instance, at 100% the cell works all the time while the pool pump is running. When set at 80%, the cell is allowed to rest 20% of the time while the pool pump is running prolonging cell life. In order to fine tune IntelliChlor SCG to your pool size just increase or decrease the Sanitizer Output from 20% to 100% of the time. For more information, see “More and Less Output Buttons,” on page 8.

⚠ CAUTION - The IntelliChlor SCG is designed to only produce chlorine. The IntelliChlor SCG does not monitor or control chlorine levels in the pool or spa water. It is the pool owner's responsibility for monitoring and maintaining free chlorine levels at 2.0 to 4.0 parts per million (ppm) according to APSP recommendations. It is the pool owner's responsibility to check the free chlorine level while the pool pump is running on a regular basis, and adjust the Sanitizer Output on the IntelliChlor SCG accordingly.

⚠ CAUTION - Before attempting to operate IntelliChlor refer to “General Recommendations and General Cautions,” on page 17, and “Pool Water Preparation,” on page 6.

If you use a Pool Pump Timer

The Association of Pool and Spa Professionals (APSP) recommends that all water in a residential pool pass through the filtration system at least once every six (6) hours, four (4) turns every 24 hours (referred to as pool water turnover). However, many factors have an effect on actual pump and filter system run times. Pool size, source of water, direct sun light, indoor/outdoor, screened/unscreened, filtration system, cold or hot weather, swimmer load, rain, organic debris, algae, etc., are all factors which contribute to either more or less pool pump and filter system run times. Because of these differences, it is extremely difficult to set a standard initial run time (starting point) for the pool pump and chlorinating system.

If you use a Pool Pump Timer (Continued)

Try initially setting the pool pump timer to twelve (12) hours. It will take a few days to achieve the correct amount of pool pump operating time. When IntelliChlor® SCG is wired with a pool pump timer **results will vary greatly from one pool installation to the next, so this should be discussed with your pool professional.**

The key points are:

- Operate the pool pump at least the minimum time needed for good filtration and adequate chlorine production by the IntelliChlor SCG, according to your pool professional's recommendations.
- While pool pump timers can reduce energy consumption, the pool pump must be running for the IntelliChlor SCG to provide chlorine and must remain running long enough to maintain proper chlorine levels (i.e., 2.0 - 4.0 ppm of free available chlorine).

Note: Exception - For Cold Weather Operation: The unit turns off in water temperatures of 52° F, ±3° F (11° C, ±1.67° C) and below, and will not produce chlorine. This feature extends the life of the cell.

Start-up Procedure (Super Chlorination)

Super Chlorination is recommended before pool start-up. Start out with clean, properly chlorinated, pool water from the beginning. The IntelliChlor SCG will build up a sufficient level of chlorine for sanitation in several hours. However, if the pool water has a high demand from the start-up the IntelliChlor SCG will not be able to produce enough chlorine to reach break-point chlorination. So, it is best to super chlorinate using an outside source at the time of pool start-up. Then, wait until the chlorine level has returned to 2.0 to 4.0 ppm before switching on the IntelliChlor SCG.

Sanitizer Output Settings and Adjustments

- Switch on the pool pump switch or pool pump timer. The salt display will blink both LEDs (bottom to top) for two (2) minutes, indicating that it has not checked the salt level yet. After two (2) minutes, the salt will be checked and one (1) of the salt level LEDs will be displayed. If the salinity is below 2600 ppm, the salt display will light the red LOW SALT indicator, and the CELL light will go blank, indicating there is not enough salt in the pool for chlorine to be produced.
- Set the Sanitizer Output to 60% by pressing the **MORE** or **LESS** button (see page 8).
- After 24 hours, use a reliable test method to test the pool water for free available chlorine. The ideal range to maintain is 2.0-4.0 ppm. **If the free chlorine level of the pool water is too low, increase chlorine production by pressing the MORE button. If the free chlorine level of the pool water is too high, decrease chlorine production by pressing the LESS button.**
- Due to a varying free chlorine demand of pool water, it may take a few days to determine the number of daily pool operating hours and "Sanitizer Output" percentage setting (see page 8) for your pool. Continue adjusting as necessary, allowing 24 hours between adjustments until the free chlorine level of the pool water is stabilized at 2.0 - 4.0 ppm, per APSP recommendations.

Operating in Winter

The IntelliChlor SCG switches off and will not produce chlorine in water temperatures of 52° F, ±3° F (11° C, ±1.67° C) and below. This feature extends the life of the IntelliChlor SCG. See "Winterizing," on page 20.

General Recommendations

- After new pool construction has been completed, before installing the IntelliChlor® SCG, install the IntelliChlor “empty cell” (P/N 520588) to remove debris from the pipes for thirty (30) days and to allow sufficient time for the pool plaster (or other similar material) to properly cure and seal.
- Read and keep this Installation and User’s Guide in a safe place.
- Increase Sanitizer Output level as necessary after heavy rain (outdoor pools) and return to normal afterwards.
- Increase Sanitizer Output level when air and water temperature rise.
- Increase Sanitizer Output level when number of pool users increase.
- Use Cyanuric Acid ONLY as necessary to stabilize chlorine in the pool water in outdoor pools.
NOTE: DO NOT USE CYANURIC ACID IN INDOOR POOLS.
- Once a month take a pool water sample to a pool professional for a complete analysis.

General Cautions

- **Do not get fertilizer in your pool. Fertilizers contain nitrates, which cause a high chlorine demand.**
- **Never use dry acid to adjust pH in arid geographic areas with excessive evaporation and minimal dilution of pool water with fresh water. A buildup of byproducts can damage the IntelliChlor SCG.**
- **Do not add any pool water balancing chemicals (including salt) unless the IntelliChlor SCG is switched off.**
- **Do not let the Cyanuric Acid level drop below 30 ppm in outdoor pools.**
NOTE: DO NOT USE CYANURIC ACID IN INDOOR POOLS.

Section 4

User Maintenance

This section describes how to maintain the IntelliChlor® SCG.

Daily service

None is needed.

Weekly service

1. **pH Level Test:** Test the pH level of your pool water with a reliable test method. If necessary, adjust according to your pool professional's recommendations. APSP's recommended ideal range for pH is 7.4 to 7.6, although 7.2 to 7.8 is an acceptable range under APSP's guidelines.

Note: Never use dry acid (sodium bisulfate) to adjust pH in arid geographic areas with excessive evaporation and minimal dilution of pool water with fresh water. A buildup of byproducts can damage the IntelliChlor SCG.

2. **Total Alkalinity Test:** Test the pool water for total alkalinity with a reliable test method. Adjust according to your pool professional's recommendations. APSP's recommended ideal range for total alkalinity is 80 to 120 ppm.
3. **Chlorine Test:** Test the pool water for free chlorine level with a reliable test method. Maintain ideal range by adjusting the IntelliChlor SCG Sanitize Output settings. See "More and Less Output Buttons," on page 8.

- Desired Free Chlorine is 2.0-4.0 ppm, per APSP recommendations.

Note: Above 4.0 ppm of chlorine may cause excessive corrosion of metal components and possibly cause damage to associated pool equipment.

Note: It is recommended that free chlorine readings be taken from samples of pool water taken from two (2) places, one at the pool return line, the other well away from the pool return line. Compare the test results. A higher free chlorine level should be found at the pool return line. The higher free chlorine level at the pool return line indicates IntelliChlor SCG is producing chlorine.

Monthly Service

To ensure that the correct chemical balance is maintained in your pool, it is important to perform the following recommended salt and pool water tests every month using a reliable test method.

1. **Salt Level Test:** Check salt display lights on the unit and check that the green "GOOD" light is on and is not flashing.
 - If the red LOW LED salt light is on. Add salt to the pool water (see charts beginning on page 13).
 - If salt level does not rise after 24 hours, see "Troubleshooting," page 28.
2. **Pool Water Sample:** Take a sample of the pool water to your local pool store for testing.

Monthly Service (Continued)

3. **Cyanuric Acid:** Sample the pool water and test for cyanuric acid level using a reliable test method. When using the IntelliChlor SCG the recommended ideal cyanuric acid level is 30-50 ppm.
4. **Calcium Hardness:** Test pool water for calcium hardness level using a reliable test method. If necessary, adjust according to your pool professional's recommendations. APSP's recommended ideal range for calcium is 200 to 400 ppm for pools.
5. **Metals Test:** It is recommended that the pool water be sampled and tested periodically for the presence of metals such as copper, iron, and manganese. These metals can damage the IntelliChlor SCG and other related pool equipment and should not be present in the pool water. If those metals are present, contact your pool professional.
6. **TDS (Total Dissolved Solids):** Test pool water for TDS level using test kit or by having a water sample tested by a pool professional. If necessary, adjust according to your pool professional's recommendations. APSP standard of 3000 minimum to 5700 - 6000 maximum ppm (which includes the salt) is recommended for salt pools.

IntelliChlor SCG Usage Hours Meter

The IntelliChlor® SCG provides a built-in cell "usage hours" meter that reports how many hours IntelliChlor has been operating. The IntelliChlor SCG is designed to operate for approximately 10,000 hours before replacement is needed or roughly five (5) years of average use.

To access the system status mode:

1. Press and hold the **MORE** button for three (3) seconds until the lights scroll across the unit.
2. One (1) of the five (5) Sanitizer Output LED indicators (20%, 40%, 60%, 80% and 100%) will be lit, indicating the hours of usage. The Output LEDs are as follows:
 - 2000 hours (20% LED on)
 - 4000 hours (40% LED on)
 - 6000 hours (60% LED on)
 - 8000 hours (80% LED on)
 - 10,000 hours (100% LED on)


Cleaning the IntelliChlor SCG Cell Blades

Note: Before acid washing, remove the calcium buildup in cell: Use a garden hose on the jet setting and spray directly into both ends of the cell. Most of this calcium buildup has a slushy consistency and will be blown out of the cell. Once the majority of the calcium has been removed, continue with acid washing which will now be more effective since most of the calcium has been removed.

1. **Automatic Cleaning:** The IntelliChlor SCG has an automatic cell blade cleaning feature (cell reversing) that helps remove scale deposits from the IntelliChlor SCG blades. **Note:** Automatic cleaning does not interrupt chlorine production. "Scale" is a white crusty deposit that forms in excessively hard water or from pool water that is out of balance and in a scaling condition. If the IntelliChlor SCG blades show excessive scaling, you need to perform an acid wash cleaning. Proceed to "Acid Wash Cleaning," Step 2.
2. **Acid Wash Cleaning:** If the IntelliChlor SCG blades show a tendency to scale, it is recommended that every two (2) months the IntelliChlor SCG be removed and inspected for scale formation and/or debris on the IntelliChlor SCG blades. High hardness areas may require more frequent cleaning. Some filters allow debris to pass through to the IntelliChlor SCG, possibly lodging between the blades in the IntelliChlor SCG. A small amount of scale formation is normal. If by looking through the IntelliChlor SCG it is observed that there is excessive scale formation between the blades or debris is present, the IntelliChlor SCG must be cleaned as follows:
 - a. Use a high-pressure jet of water from a garden hose. If the blades cannot be reasonably cleaned in this manner, acid cleaning is necessary.

Cleaning the IntelliChlor® SCG Blades (Continued)

- b. **To acid clean the IntelliChlor SCG blades:** Disconnect the AC power from the Power Center. Disconnect the IntelliChlor SCG cell communication cable from the Power Center.
- c. Mix one (1) quart of muriatic acid with one (1) gallon of tap water in a plastic bucket.



Working with muriatic acid can be dangerous. When cleaning the IntelliChlor SCG always wear rubber gloves and eye protection. Always add acid to water, do not add water to acid. Always work in a well-ventilated area. Splashing or spilling acid can cause severe personal injury and/or property damage.

Note: The IntelliChlor SCG acid cleaning kit (P/N 520670) provides a cap for the IntelliChlor SCG to allow diluted acid solution to be poured into the IntelliChlor SCG to immerse the blades for cleaning.

- d. Screw the cap with washer and o-ring onto the threaded end of the IntelliChlor SCG cell (*the cap, o-ring and washer are provided with the cleaning kit*). Place the IntelliChlor SCG vertically in a five (5) gallon bucket. Pour the acid solution (as described in step c) into the IntelliChlor SCG until the cell blades and salinity probes are just covered. Allow the acid solution to bubble, and to clean the blades. *Note: The acid should only be contained inside the IntelliChlor SCG covering the blades. Try not to spill the acid on the outside of the IntelliChlor SCG. If acid does spill on the outside of the IntelliChlor SCG, wash it off with water.* A foaming action will begin, which is caused by scale (calcium carbonate) being dissolved from the blades. If rigorous foaming action does not begin, the blades do not need to be cleaned (**STOP THE CLEANING PROCESS - go on to step “e”**). **Otherwise, allow the blades to remain immersed in the solution until the foaming has stopped. However, do not leave acid in the IntelliChlor SCG for more than thirty (30) minutes. Excessive acid washing will damage the blades.**
- e. Remove the IntelliChlor SCG from the bucket and place in an empty five (5) gallon bucket. Rinse the inside and outside of the IntelliChlor SCG thoroughly with clean tap water and inspect. If deposits are still visible, repeat the acid cleaning process.
- f. Rinse the IntelliChlor SCG again with clean tap water and inspect. Once clean, replace the IntelliChlor SCG and resume normal operation.
- g. If the acid wash procedure is necessary, it is recommended that a sample of pool water be analyzed by a pool professional for excessive calcium hardness (i.e. ideal range is 200 to 400 ppm) and/or improper water balance.
- h. **Inspect the inside of the IntelliChlor SCG every two (2) months (or more frequent in hard water areas).** If no scale or debris deposits are observed inside the IntelliChlor SCG after four (4) months, it is not necessary to continue inspections every two (2) months. However, due to possible changes in pool water chemistry and filtering effectiveness, it is recommended that the cell be removed for inspection at least twice a year.
- i. Reconnect the IntelliChlor SCG communication cable plug in the Power Center, then reconnect AC power to the IntelliChlor SCG Power Center.

Winterizing

Very little chlorine production is needed in cold water so long as free chlorine levels are maintained at 2.0 - 4.0 ppm. The IntelliChlor SCG will not produce chlorine below 52° F ±3° F (11° C, ±1.67° C). This low-temperature cutoff extends the life of the cell. If preventative measures are not taken, freezing water may cause severe damage to the cell. Prevent freeze damage to the cell by running the pool pump continuously or winterize the pool by draining water from pump, filter, and all intake and return lines. Remove the cell, clean and store it.

Section 5

Installation

This section describes how to install the IntelliChlor® SCG into the pool plumbing system. Also, included are connection instructions for IntelliTouch, EasyTouch and SunTouch systems. Before installing, review the IntelliChlor kit contents and required tools.

Note: For Power Center installation instructions, see the “IntelliChlor Power Center Installation Guide” (P/N 520590).

Note: Salt is not provided. For details about the type of salt to use, see “What Type of Salt to Use,” on page 11.

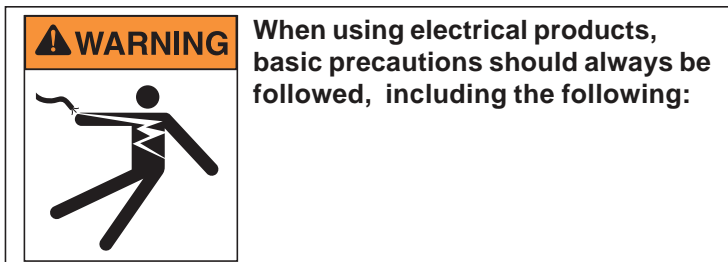
Note: A TIME CLOCK must be used if the IntelliChlor SCG is used in “stand alone” mode without an automation control system.

Kit Contents

- One IntelliChlor SCG cell
- Two (2) cell unions with two (2) o-rings
- User’s Guide (this manual)

Required Tools

- Tape measure
- Phillips and flathead screwdriver
- Pliers
- Hacksaw
- An NSF® approved all purpose PVC/CPVC/ABS cleaner primer
- An NSF® approved all purpose PVC/CPVC/ABS cement



- **DANGER: RISK OF ELECTRIC SHOCK, WHICH CAN RESULT IN SERIOUS INJURY OR DEATH.** Before attempting installation of service, ensure that all power to the circuit supplying power to the system is disconnected/turned off at the circuit breaker. It is recommended, but not mandatory that the IntelliChlor Power Center be connected to a circuit protected by a ground fault circuit-interrupter (GFCI).
- Grounding (earth bonding) is required. The unit should be installed by a qualified service person and grounded.
- Install to allow access to cell buttons and power center.
- **Read Safety Precautions and Important Instructions (page ii and iii). Before attempting any electrical wiring, be sure to read and follow Safety Instructions. Wiring should only be performed by a qualified professional.**
- Install the IntelliChlor unit a minimum of three (3) feet away from the heater outlet.
- Pipe couplings: Schedule 80, maximum pressure 75 psi at 70° F (21° C).
- **Note:** Operate unit with minimum flow of 25 gpm. For high flow applications, use a bypass loop (see page 4) for best flow sensing.
- **Note:** Provide at least 12"-18" of straight pipe in front of the cell inlet.

IntelliChlor® SCG “Dummy” Cell

After new pool construction has been completed, in order to prevent debris from entering the IntelliChlor SCG, it is recommended that the IntelliChlor SCG “pass-through” cell (P/N 520588) be installed before installing the IntelliChlor SCG. After the pool system has flushed the debris from the pipes, remove the “dummy cell” and install the IntelliChlor SCG.

Selecting Model Size (see chart on page 1)

Installing the IntelliChlor SCG Cell Assembly

Install the IntelliChlor cell assembly no closer than three (3) feet away from the heater outlet, if used. For more information see plumbing diagrams on page 4 and 5.

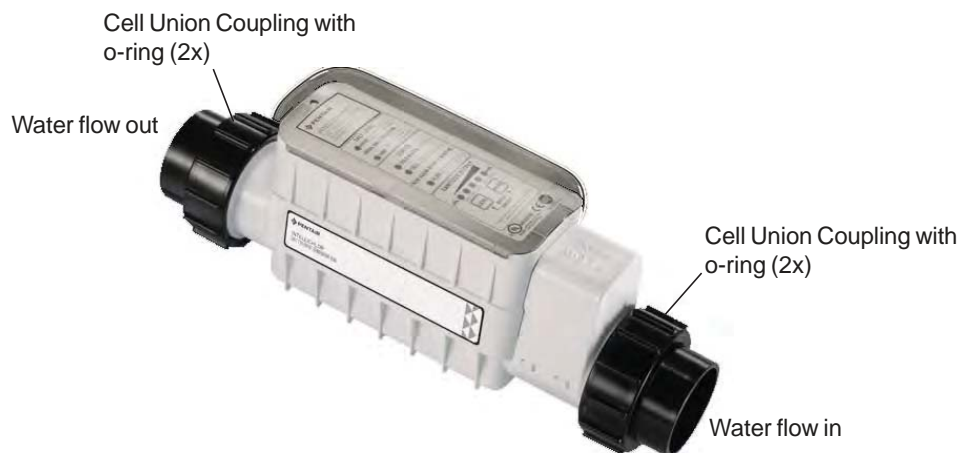
Note: For best flow sensing, provide at least 12"-18" of straight pipe in front of the cell inlet.

Note: After new pool construction has been completed, in order to prevent debris from entering the IntelliChlor cell assembly, it is recommended that the IntelliChlor SCG pass-through cell (P/N 520588) be installed before installing the IntelliChlor SCG cell. After the pool system has flushed the debris from the pipes, remove the pass-through cell and install the IntelliChlor cell.

Note: Pipe couplings: Schedule 80, maximum pressure 75 psi at 70° F (21° C)

To install the IntelliChlor® SCG Cell:

1. Using PVC glue, mount the PVC couplings to the plumbing pipe. Allow the glue to dry.
2. Mount the cell vertically. Allow access to the cell operator control panel. Install the cell onto the couplings. Ensure the O-rings are seated properly.
3. Switch on the pump and visually inspect for leaks around the couplings.

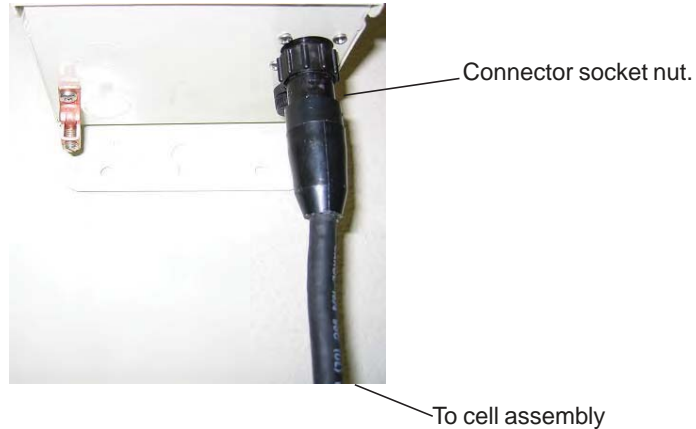


Connecting the IntelliChlor IC20, IC40 IC60 SCG Cell Power Cable to the Power Center

After the cell installation is completed, connect IntelliChlor SCG cell's power cable to the Power Center:

⚠ WARNING - Switch OFF main system power to the Power Center before making any connections.

1. Be sure that AC power is switched OFF before connecting the power cord to the Power Center.
2. Align the four (4) pins of the cell power cord connector with the socket on the bottom of the Power Center and insert the connector. Turn the round socket nut until it locks the connector in place.



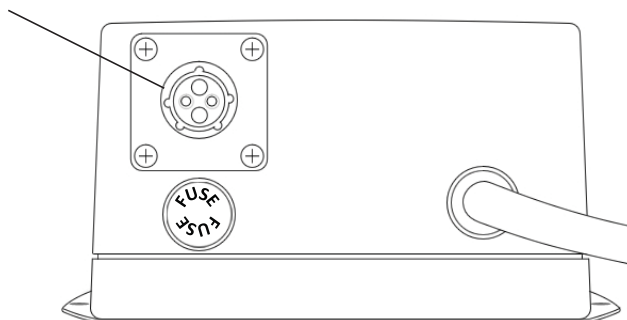
Connecting the Power Supply Cable to the IC15 SCG Cell

⚠ WARNING - Switch OFF main system power to the Power Supply before making any connections.

After the IC15 cell installation is completed, connect the cell power cable to the Power Supply:

- Align the four (4) pins of the cell power cord connector with the socket on the side of the Power Supply and insert the connector. Turn the round socket nut until it locks the connector in place.

IntelliChlor SCG Power
Supply socket



IntelliChlor SCG IC15 Power Supply

Connecting the IntelliChlor® IC20, IC40 or IC60 SCG Power Center to an IntelliTouch®, EasyTouch® or SunTouch® Control System

To operate IntelliChlor SCG with the IntelliTouch, EasyTouch or SunTouch system, connect a four wire cable from the IntelliChlor SCG Power Center to the IntelliTouch, EasyTouch or SunTouch load center. Note: **Only one IntelliChlor cell can be installed per system.** An alternate connection can be made by splicing anywhere along the four wire connection that connects the IntelliTouch or EasyTouch Control System indoor control panel to the load center.

Note: See the following manuals for IntelliChlor SCG operating instructions when connected to a Pentair Control System:

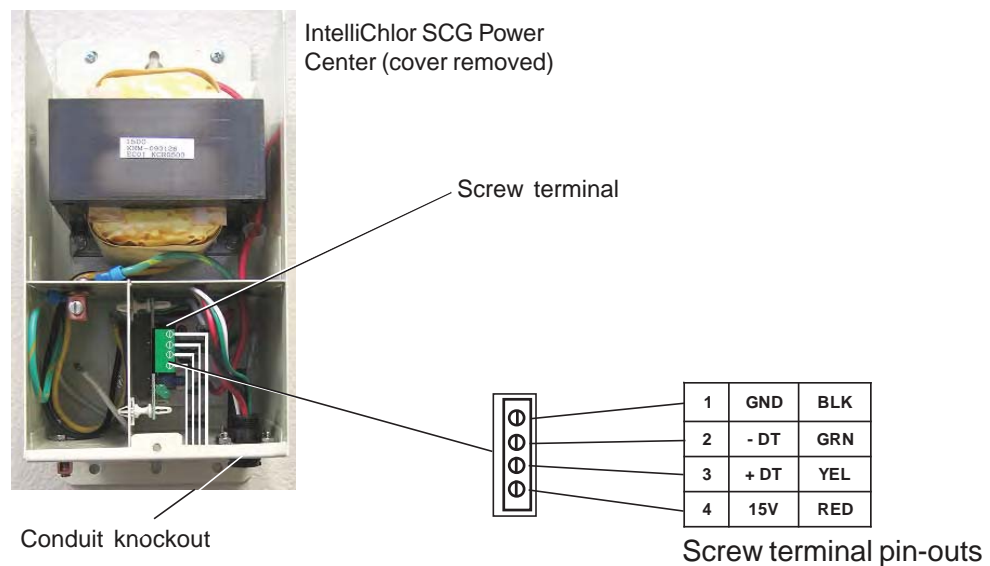
- IntelliTouch Control System User's Guide (P/N 521075)
- EasyTouch Control System User's Guide" (P/N 521044)
- SunTouch Control System User's Guide" (P/N 520785)

CAUTION - Wire the Power Center AC to the filter pump relay on the LOAD SIDE for maximum safety.

To connect IntelliChlor Power Center four wire cable to the IntelliTouch, EasyTouch or SunTouch Control System load center:

WARNING - Switch OFF main system power to the Load Center before making any connections.

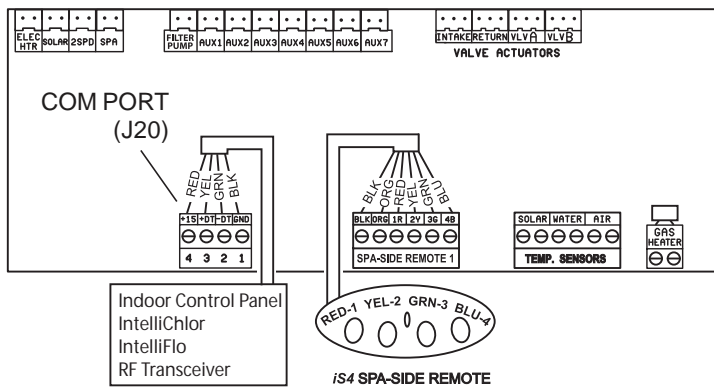
1. Remove the cover screw securing the Power Center cover. Remove the cover.
2. Run a UL approved four conductor cable (22 AWG) from the IntelliChlor Power Center to the Load Center. The preferred wire color scheme is red, yellow, green, and black.
3. Remove the cover screw securing the Power Center cover. Remove the cover.
4. Remove one (1) of the knockouts from the underside of the Power Center.
5. Route the four conductor cable up through the lower hole.
6. Strip back the cable conductors 1-1/4 in. Insert the wires into the screw terminals (provided in the kit). Secure the wires with the screws. Make sure to match the color coding of the wires:
Red = +15, Yellow = +DT, Green = -DT, and GND = Black.
7. Plug the screw terminal onto the four (4) pins located on the Power Center board.
8. Reinstall the cover and secure with the cover screw.
9. Proceed to "Connecting IntelliChlor to an IntelliTouch Control System," on page 25, "Connecting IntelliChlor to an EasyTouch Control System," on page 26, and "Connecting an IntelliChlor SCG to a SunTouch Control System," on page 26.



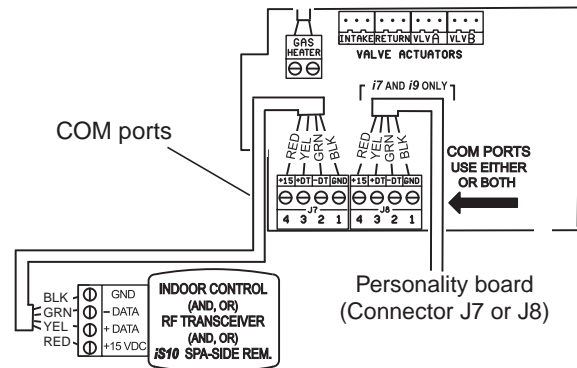
WARNING - Switch OFF main system power to the Load Center before making any connections.

Connecting IntelliChlor® SCG Communication Cable (RS485):

1. Unlatch the load center/power center enclosure door spring latch, and open the door.
2. **EasyTouch® / IntelliTouch® Control System:** Loosen the two (2) retaining screws from the control panel.
 - (a) Lower down the control panel on its hinges to access the motherboard located behind the control panel.
 - (b) Route the four conductor cable up through the low voltage raceway in the load center to the motherboard.
- Note: For SunTouch® Control System see page 26 for details.**
3. Strip back the cable conductors ¼ in. Insert the wires into the connector screw terminals (provided in the kit). Secure the wires with the screws. Make sure to match the color coding of the wires; Red = +15, Yellow = +DT, Green = -DT, and GND = Black.
4. Insert the connector screw terminal onto the **COM Port** pins on the circuit board: (**EasyTouch J20, IntelliTouch J7/8**).
7. When the connection is completed: **EasyTouch/IntelliTouch:** Close the control panel and secure it with the two (2) retaining screws.
8. Close the load center front door. Fasten the spring latch.



EasyTouch Control System Circuit Board



IntelliTouch Control System Personality Circuit Board

Note: EasyTouch or IntelliTouch Control System Load Center

For information about connecting an IntelliChlor SCG to an EasyTouch or IntelliTouch Control System Load Center with **built-in IntelliChlor SCG power supply**, please refer to the EasyTouch or IntelliTouch Pool and Spa Control System (with optional IntelliChlor Salt Chlorine Generator) Load Center Installation Guide (P/N 521139)

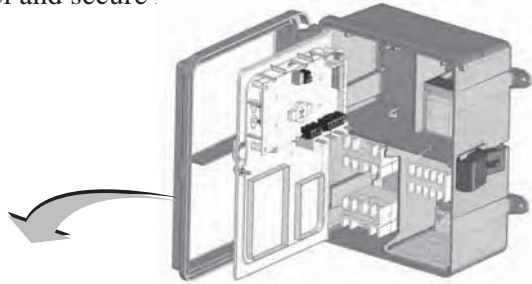
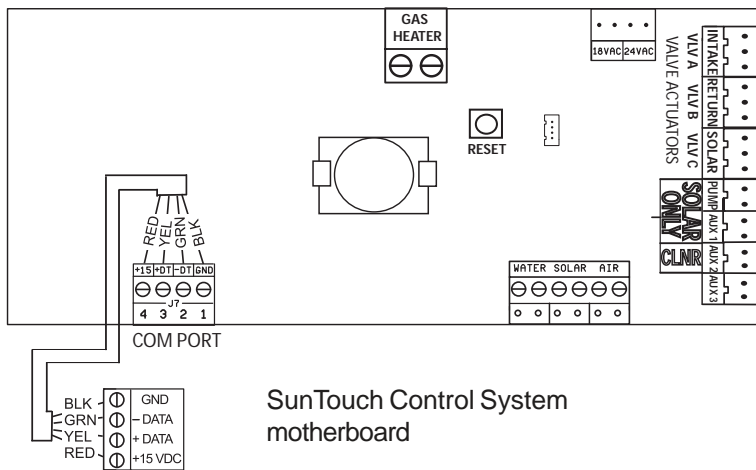
Connecting IntelliChlor® SCG to an SunTouch® Control System

To connect the four wire communication cable from the IntelliChlor SCG Power Center (see page 27) to the motherboard located in the SunTouch® Control System Power Center:

⚠ WARNING - Switch OFF main system power to the Load Center before making any connections.

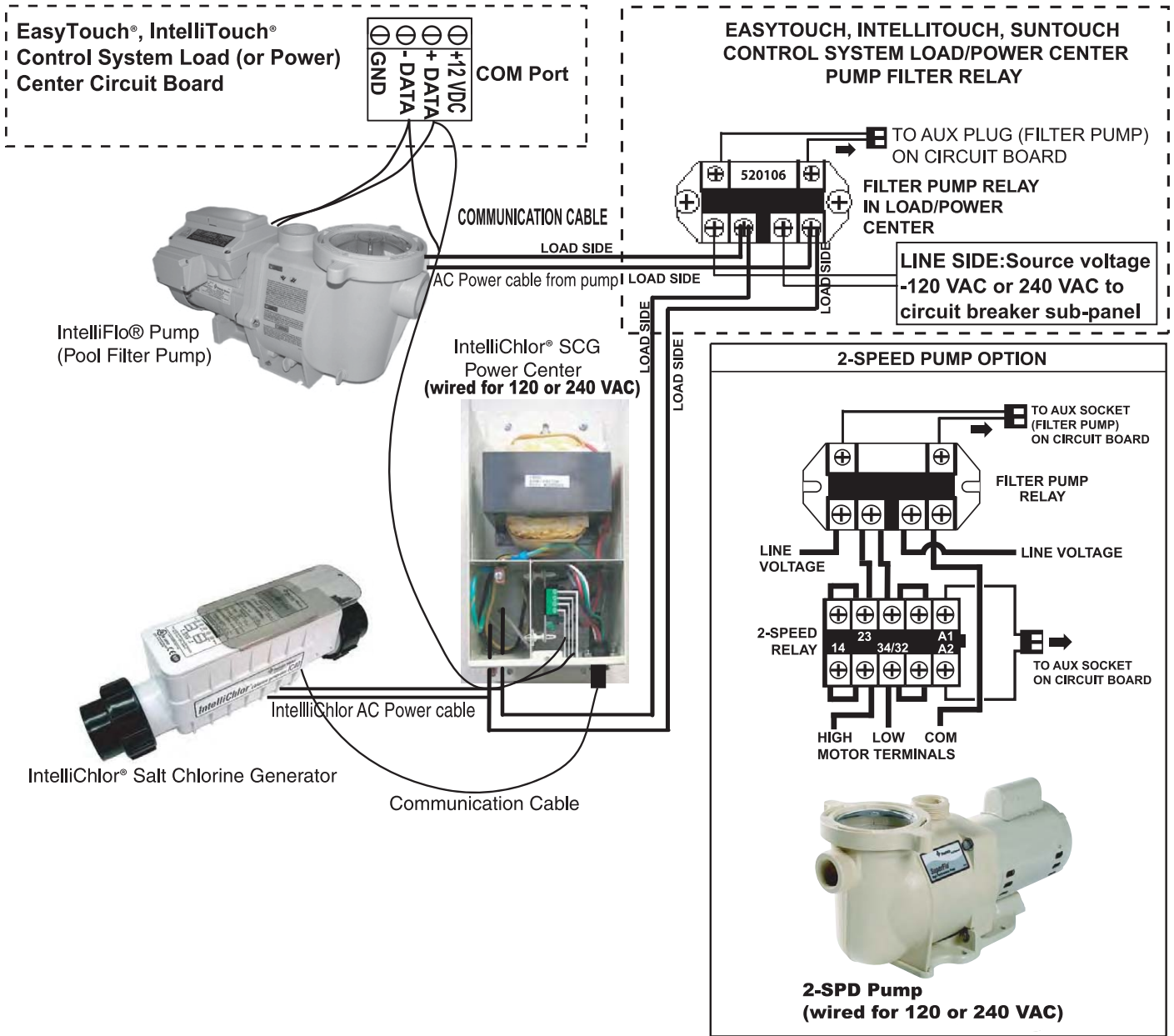
To access the Power Center electronics compartment:

1. Unlatch the front door of the Power Center, and open the door.
2. Loosen the retaining screw on front panel. Open the hinged front panel to access the electronics compartment.
3. Route the four conductor cable up through the Power Center grommet opening located on the left side, and up through the low voltage raceway to the motherboard.
4. Strip back the cable conductors 1-1/4 in. Insert the wires into the screw terminals (provided in the kit). Secure the wires with the screws. Make sure to match the color coding of the wires:
Red = +15, Yellow = +DT, Green = -DT, and GND = Black.
5. Insert the connector on the **COM-PORT (J11)** screw terminal on the motherboard.
6. When the connection is completed, close the control panel and secure it with the retaining screw.
7. Close the front door. Fasten the spring latch.



Wiring AC Power from IntelliChlor (SCG) and IntelliFlo® pump to IntelliTouch®, EasyTouch® and SunTouch® Control System (see page 27 for diagram)

IntelliChlor (SCG) AC Wiring Instructions: When using the IntelliChlor SCG and an IntelliFlo pump (or 2-speed pump) with an IntelliTouch, EasyTouch or SunTouch Control System, the IntelliChlor AC power center wires must be connected to the LOAD SIDE OF THE FILTER PUMP RELAY located in the Load/Power Center (see diagram on page 27). This ensures that the IntelliChlor SCG cell produces chlorine only when the main filter pump is on. This method does not require a ground fault circuit-interrupter (GFCI) to protect the circuit. Note: For non-automation control systems using a time clock, see page 30 for wiring information.



Wiring IntelliChlor® SCG AC Power Cord to Automation Control System Filter Pump Relay

Section 6

Troubleshooting

Use the following troubleshooting information to resolve possible problems with the IntelliChlor® SCG.

⚠ WARNING - Switch OFF main system power to the IntelliChlor SCG cell before servicing.

Note: Switch power off to unit before attempting service or repair. Always remove AC power to Power Center when plugging or unplugging the IntelliChlor SCG cell into the Power Center.

Table 1: Troubleshooting

Problem	Possible Cause	Corrective Action
Low or no chlorine.	Low stabilizer (cyanuric acid) level in pool water (outdoor pools only).	Add cyanuric acid in outdoor pools only to maintain 30 - 50 PPM per pool professional's recommendations. See Stabilizer Chart, Table 1, page 13.
	Insufficient operating hours of the IntelliChlor SCG.	Increase the SCG operating time per day. See page 15 for pump run time information.
	SANITIZER OUTPUT percentage set too low or off at 0%.	Increase SANITIZER OUTPUT by pressing the MORE button. See page 8.
	Recent increases in weather temperature without increasing the SCG Sanitizer Output.	Increase SANITIZER OUTPUT by pressing the MORE button. See page 8.
	Temporary loss of chlorine due to heavy organic load, rain, leaves, fertilizer or heavy bather load, recent party, or pets using pool.	Set "Boost" mode and allow to run for 24 hours. Recheck, If still too low, super-chlorinate by using an outside source. (Take pool water sample to pool professional).
	Low (less than 2600 ppm) salt level in pool water, shuts off chlorine production.	Observe Salt Display lights. See "Salt Level Status LEDs," page 7.
	High nitrate and phosphate level.	Contact Pool Professional.
	Metals present in pool water.	Contact Pool Professional.
	New pool water, or not shocked properly upon startup.	Super Chlorinate Pool. See "Start-up Procedure (Super Chlorination)", page 16.
	Clogged or dirty cell.	Remove cell for inspection. Clean if necessary. (see page 19).

Table 1: Troubleshooting (Continued)

Problem	Possible Cause	Corrective Action
Red LOW salt LED is on.	Pool water needs salt. No chlorine is being produced.	Add salt as described on pages 13, 14.
Red LOW SALT light on and green CELL light flashing	Salt level in pool water is low and may need inspecting.	Check salt level, add if necessary to GOOD level. Allow 24 hours for salt to mix in water. If CELL light is still flashing after 24 hours, remove and inspect cell and clean if necessary.
Red CHECK SALT light is on	Not enough salt in pool. Heavy Rainfall. Leak in pool.	Add salt to pool to achieve 3600 ppm. See page 12, 13.
Green GOOD salt light is flashing	Too much salt in pool. May cause damage to pool related equipment and surrounding surfaces.	Dilute pool water by draining some water, then filling with fresh water
COLD WATER light is red.	Water is below 52°F.	The water temperature must be above 52°F to produce chlorine.
CELL light does not come on.	Chlorine Production set to 00%.	Adjust CHLORINE PRODUCTION to desired percentage.
	Insufficient water flow. Cell is plugged with debris, pump has lost prime.	Remove obstruction and/or clean cell. See page 10. Prime pump if necessary.
	Salt level below 2600 ppm.	Add salt as described on pages 12, 13.
CELL light is flashing green.	Check salt level	Add salt if necessary to maintain 3600 ppm minimum.
	Cell has calcium build-up and requires cleaning.	Refer to Maintenance Procedure for acid wash/cleaning. See "User Maintenance," on page 18.
	Check water chemistry and balance. NOTE metal content should be 0 ppm.	Remove metals from water using chemical solution.
Flow light is red.	Pump fails to provide sufficient water flow.	Check for correct operation of the pump, i.e., loss of pump prime or clogged strainer baskets.
	Closed valves.	Check and correct all valve alignments.
	Dirty filter.	Follow filter cleaning procedures.
	Obstruction in the SCG cell.	Remove cell for inspection. Follow cleaning procedures. See "Electrolytic Cell Cleaning," on page 10.
IntelliChlor unit does not have power.	Fuse in Power Center is open.	Replace AC fuse, located in the Power Center.
	No AC power to Power Center.	Verify time clock is providing 110 VAC or 220 VAC to Power Center when active.
	Transformer leads not wired correctly in Power Center.	Verify transformer leads wired to AC source by referring to wiring diagram decal on inside of Power Center cover.

System Specifications - 110 VAC and 230 VAC Wiring

Circuit Protection: Two-pole 20 AMP device at the electrical panel.

IntelliChlor SCG Model IC20, IC40 and IC60

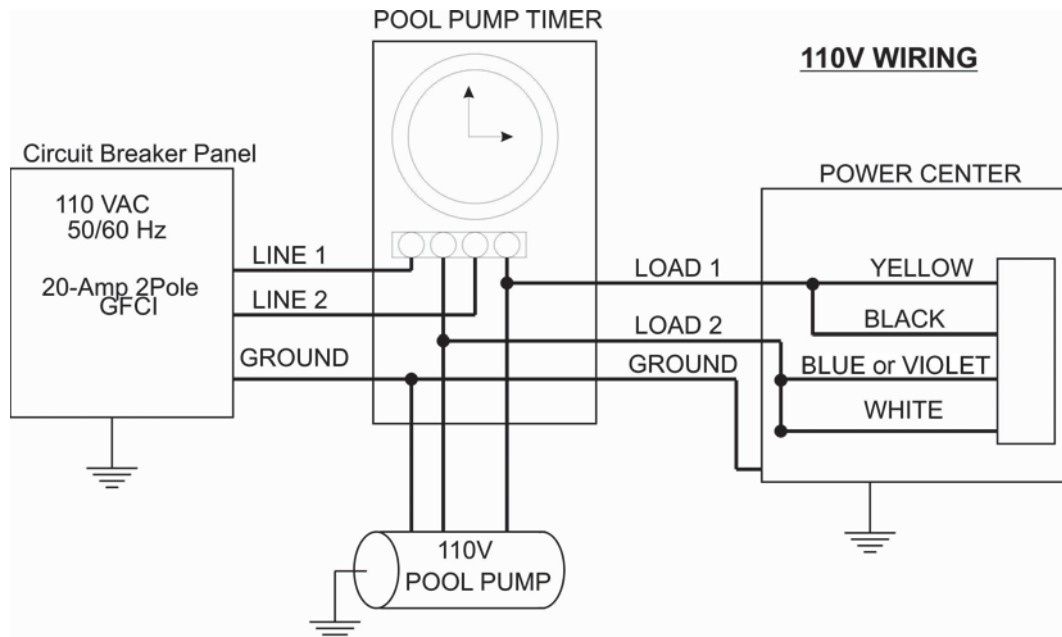
Input: 95-130 VAC, 50/60 Hz, 220 Watts (2 AMP) or 220-240 VAC, 50/60 Hz, 220 Watts (1 AMP).

Output: 22-39 VDC @ 7.5 AMPS maximum from the Power Center.

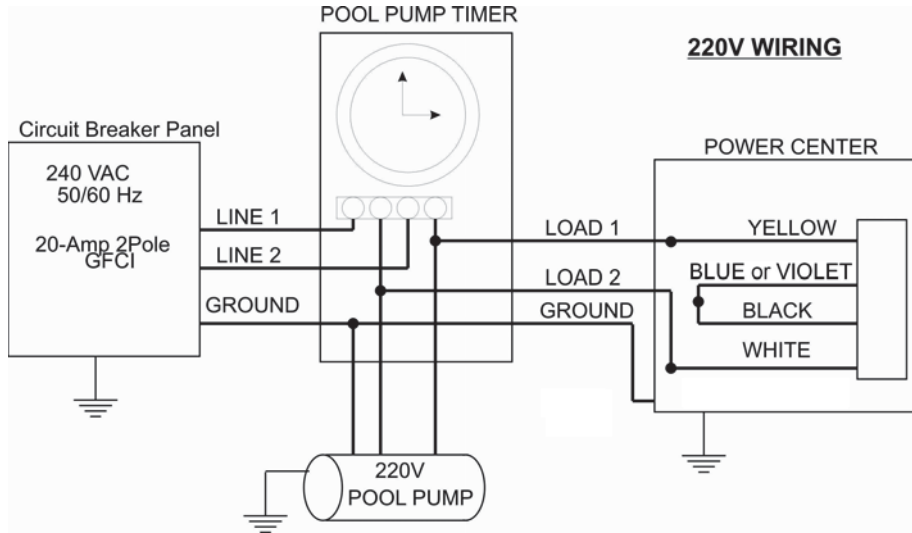
Note: A TIME CLOCK must be used if the IntelliChlor SCG is used in “stand alone” mode without an automation control system.

IntelliChlor (SCG) AC Wiring Instructions: When using the IntelliChlor SCG and an IntelliFlo pump (or 2-speed pump) with an IntelliTouch®, EasyTouch® or SunTouch® Control System, the IntelliChlor SCG AC power center wires must be connected to the LOAD SIDE OF THE MAIN FILTER PUMP RELAY located in the load/power center (see page 27 for diagram). This ensures that the IntelliChlor SCG cell produces chlorine only when the main filter pump is on. This method does not require a ground fault circuit-interrupter (GFCI) to protect the circuit.

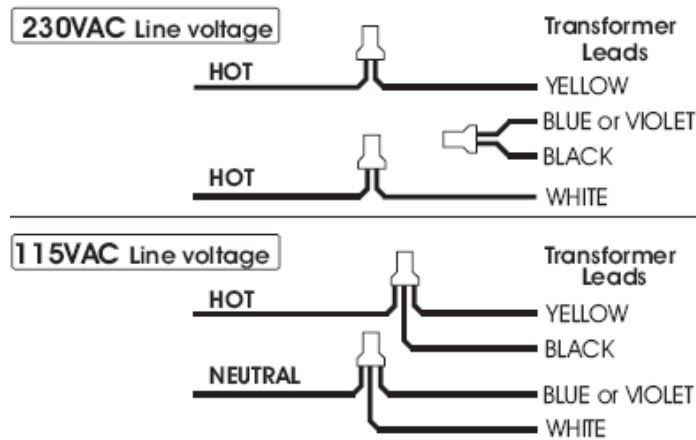
IMPORTANT: When using IntelliChlor SCG with an IntelliTouch Control System, it is recommended to wire the Power Center to the pump side of the relay located in the IntelliTouch Control System Load Center. This method does not require a ground fault circuit-interrupter (GFCI) to protect the circuit.



115 VAC Basic System Wiring with Pool Pump Timer



220 VAC Basic System Wiring with Pool Pump Timer



IntelliChlor Power Center 230 and 115 VAC Transformer Wiring

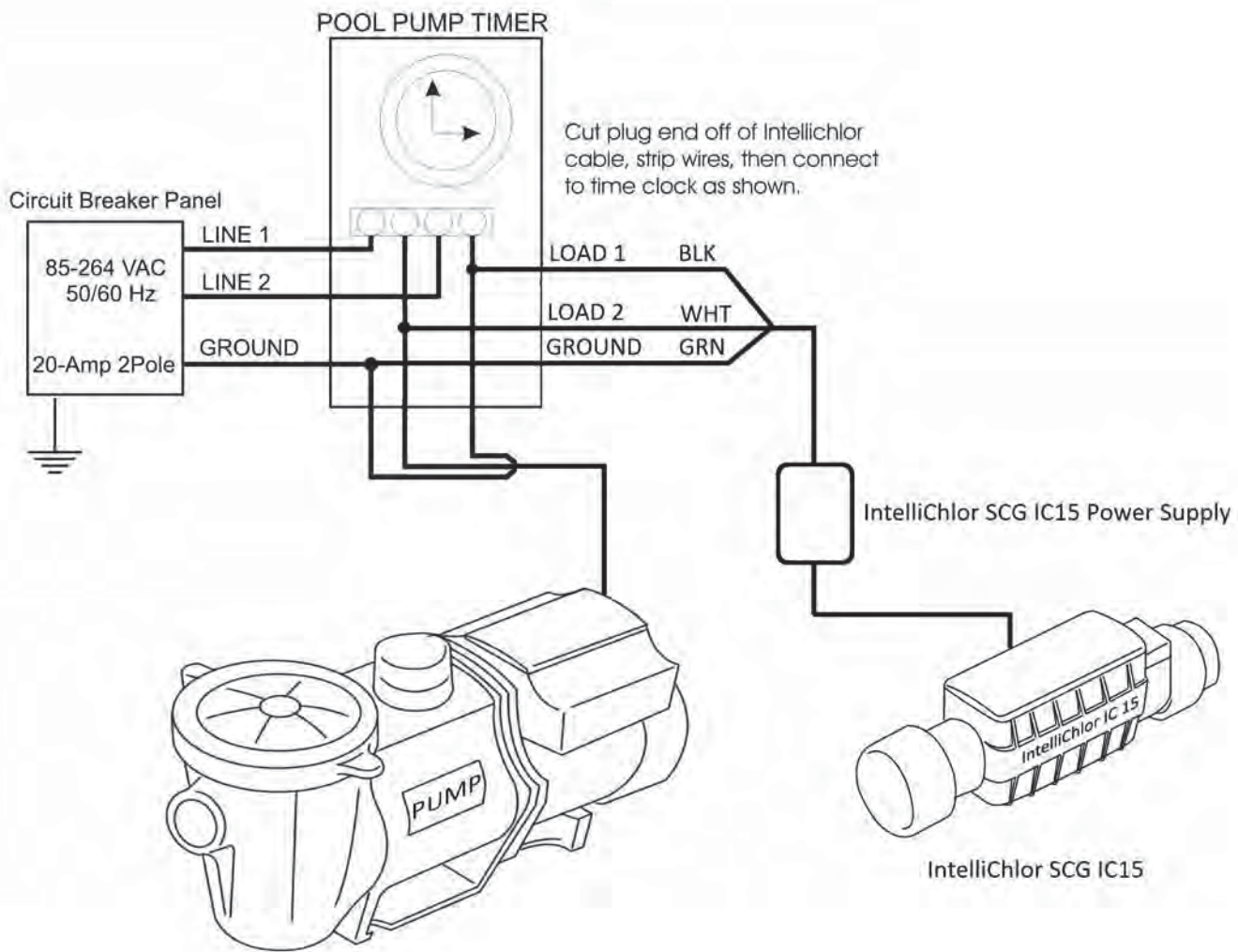
IntelliChlor® SCG IC15 System Specifications and Wiring

Circuit Protection: Two-pole 20 AMP device at the electrical panel.

IntelliChlor SCG Model IC15

Input: 85-130 VAC, 50/60 Hz, 65 watts

Output: 24 VAC (4 AMPS) to internal blades of cell.



110 VAC Basic System Wiring with Pool Pump Timer

Notes



1620 HAWKINS AVE., SANFORD, NC 27330 • (919) 566-8000
10951 WEST LOS ANGELES AVE., MOORPARK, CA 93021 • (805) 553-5000

© 2023 Pentair. All rights reserved. WWW.PENTAIR.COM



P/N 520589 REV. R 8/7/23



INTELLICHLOR® GENERADOR ELECTRÓNICO DE CLORO MODELOS IC15, IC20, IC40, IC60



MANUAL DE INSTALACIÓN Y GUÍA DE USUARIO

INSTRUCCIONES DE SEGURIDAD IMPORTANTES LEA Y
SIGA LAS INSTRUCCIONES
CONSERVE ESTAS INSTRUCCIONES

Índice

Medidas de seguridad importantes	III
Descripción general del generador electrónico de cloro IntelliChlor.....	7
Características.....	7
Componentes del sistema IntelliChlor.....	8
Descripción del panel de control y de la célula del generador electrónico de cloro IntelliChlor.....	8
Fuente de alimentación – IntelliChlor IC 15	9
Central de alimentación - IntelliChlor IC20, IC40 e IC60.....	10
Diagrama esquemático del sistema para IC 20, IC40 e IC 60.....	10
Instalación de alimentadores de cloro/bromo a continuación de la célula IntelliChlor.....	10
Diagrama del circuito de tuberías.....	11
Diagrama de tuberías de IntelliChlor.....	11
Diagrama esquemático del sistema para IC15.....	12
Instalación de alimentadores de cloro/bromo a continuación de la célula IntelliChlor.....	12
Sección 1: Panel de control de IntelliChlor	13
LEDs del estado del nivel de sal (Salt Level).....	13
LEDs de estado (Status).....	13
Indicadores LED de la producción de desinfectante (Sanitizer Output).....	14
Botones de nivel de producción "More" y "Less".....	14
Autolimpieza	14
Sección 2: Composición química del agua de piscina, condiciones y precauciones	15
Composición química del agua de piscina, condiciones y precauciones.....	15
Condiciones químicas óptimas para piscinas con sistema de cloración salina.....	16
Piscinas cubiertas y piscinas con revestimiento de vinilo y reducción de niveles de producción de cloro.....	16
Prueba de cloro.....	17
¿Qué tipo de sal usar?.....	17
¿Cuánta sal usar?.....	17
Cálculo del índice de saturación.....	18
Factores del índice de saturación (SI).....	19
Preparación del agua de la piscina.....	19
Determinación del tamaño de la piscina (galones de agua en su piscina).....	19
Determinación del tamaño de la piscina (litros de agua en su piscina).....	19
Cómo añadir sal a la piscina.....	19
Tabla 1. Cantidad aproximada de libras (kg) de sal necesaria para obtener 3.400 ppm en la piscina.....	20
Tabla 2. Cantidad aproximada de libras (kg) de acid cianúrico necesaria para obtener 40 ppm en la piscina.....	20
Sección 3: Utilización de IntelliChlor	21
Período de puesta en marcha inicial.....	21
Utilización.....	21
No es necesario usar un temporizador externo para la bomba de piscina.....	21
Si utiliza un temporizador de bomba de piscina.....	21
Procedimiento de puesta en marcha (supercloración).....	22
Producción y ajuste del desinfectante.....	22
Utilización en invierno.....	22
Recomendaciones generales.....	23
Precauciones generales.....	23
Sección 4: Mantenimiento por parte del usuario	24
Mantenimiento diario.....	24
Mantenimiento semanal.....	24
Mantenimiento mensual.....	24
Contador de horas de utilización IECG.....	25
Limpieza de las hojas de la célula IECG.....	25
Acondicionamiento para el invierno.....	26

Sección 5: Instalación.....	27
Contenido del kit IC20, IC40 e IC60.....	27
Contenido del kit IC15.....	27
Herramientas necesarias.....	27
Célula “Dummy” de IntelliChlor.....	28
Selección del tamaño del modelo.....	28
Instalación del conjunto de la célula de IntelliChlor.....	28
Conexión del cable de la fuente de alimentación a la célula IC20/IC40/IC60 y IC15.....	29
Conexión del cable de la fuente de alimentación a la célula IC15.....	29
Conectar el centro de alimentación a un sistema IntelliTouch o EasyTouch.....	30
Conexión del cable de comunicación RS-485.....	31
Cableado de alimentación de CA de IntelliChlor (SCG) y la bomba IntelliFlo, IntelliTouch, EasyTouch y SunTouch sistema de control de automatización.....	31
Sección 6: Detección y solución de problemas.....	33
Tabla 1: Detección y solución de problemas.....	33
Especificaciones del sistema – cableado de 110 VCA y 230 VCA.....	35
IntelliChlor, modelo IC20, IC40 y IC60.....	35
Cableado de sistema básico de 115 VCA.....	36
Cableado de sistema básico de 220 VCA.....	36
Modelo IC15 de IntelliChlor.....	36
Cableado de sistema básico de 110 VCA.....	36
GARANTÍA LIMITADA.....	38

<p>Soporte técnico: (800) 83107133 – Fax: (800) 284-4151</p>

IntelliChlor® IC20/IC40/IC60 y Números de controlador del sistema de la Parte

IntelliTouch (P/N 520505 - 520510)	EasyTouch Sal P/N's (*)	EasyTouch Non-Sal P/N's (**)	SunTouch
Power Center (P/N 520556)	N/A	P/N 520556	P/N 520556
IntelliChlor IC20 (P/N 520554)	Incluido en el kit	P/N 520554	P/N 520554
IntelliChlor IC40 (P/N 520912)	Incluido en el kit	P/N 520912	P/N 520555
IntelliChlor IC60 (P/N 521105)	Incluido en el kit	P/N 521105	P/N 521105
(*) EasyTouch (los sistemas del sal) - P/N 520592, 520593, 520704, 520705, 520542, 520543, 520544, 520545			
(**) EasyTouch (non-sal sistemas) - P/N 520591, 520703, 520538, 520540			
Nota: IntelliTouch Personality Kits - P/N 520505 - 520510			

Todas las marcas comerciales y logotipos de Pentair son propiedad de Pentair. Las marcas comerciales y logos registrados y no registrados de terceros son propiedad de sus respectivos titulares.

© 2023 Pentair. Todos los derechos reservados. WWW.PENTAIR.COM

P/N 520589 Rev. R 8/7/23

PRECAUCIONES DE SEGURIDAD IMPORTANTES



CONSERVE ESTAS INSTRUCCIONES

Aviso importante: Información para el instalador:

Este manual contiene información importante sobre la instalación, manejo y uso seguro de este producto. Esta información debería entregarse al dueño y/o operador de este equipo. Durante la instalación y utilización de este equipo eléctrico deben respetarse siempre las precauciones de seguridad básicas, incluyendo lo siguiente:



⚠️ ADVERTENCIA: INSTRUCCIONES DE SEGURIDAD IMPORTANTES RELACIONADAS CON EL PELIGRO DE INCENDIOS, DESCARGAS ELÉCTRICAS O LESIONES PERSONALES. LEA Y SIGA TODAS LAS INSTRUCCIONES

Antes de instalar este producto, lea y siga todas las indicaciones de advertencia e instrucciones que se incluyen. Si no se siguen las advertencias e instrucciones de seguridad pueden producirse lesiones graves, fallecimiento o daños materiales. Llame al (800) 831-7133 para obtener más copias www.pentair.com.

⚠️ ADVERTENCIA: Para reducir el peligro de lesiones, no permita que los niños utilicen este producto.

⚠️ ADVERTENCIA: PUEDE ACUMULARSE GAS DE CLORO DEBIDO A UN CABLEADO INADECUADO: Para reducir el riesgo de daños personales, la central de alimentación del generador electrónico de cloro IntelliChlor® (IECG, por sus siglas en inglés) debe instalarse y cablearse hacia el lado de carga del reloj temporizador, interruptor controlado electrónicamente o lado de carga del relé, de manera que sólo recibirá alimentación cuando la bomba de la piscina esté conectada. De lo contrario, se puede acumular gas de cloro peligroso. El IECG nunca debería activarse cuando la bomba de la piscina está pagada y el agua no está fluyendo a través de la unidad.

⚠️ PRECAUCIÓN – Para reducir el riesgo de descarga eléctrica, instale el generador electrónico de cloro IntelliChlor (IECG) a una distancia mínima de cinco pies con respecto de la pared interior de la piscina.

⚠️ ADVERTENCIA: Nunca utilice el generador electrónico de cloro IntelliChlor (IECG) sin un caudal adecuado de circulación de agua. La acumulación de gases inflamables genera condiciones peligrosas.



⚠️ PRECAUCIÓN – El generador electrónico de cloro IntelliChlor (IECG) ha sido concebido para ser utilizado en piscinas instaladas de forma permanente y puede usarse también con bañeras calientes y spas si así se indica. No utilizar con piscinas almacenables. Una piscina instalada de forma permanente está construida en o sobre el suelo o en un edificio de tal manera que no puede desmontarse fácilmente para su almacenaje. Una piscina almacenable está construida de tal manera que puede ser desmontada fácilmente para almacenarla y volver a ser montada en su integridad original.

⚠️ ADVERTENCIA – La fuente de alimentación IC15 ha sido concebida para ser utilizada sólo con la célula IC15, NO CONECTE NINGUNA OTRA CÉLULA INTELLICHLOR A ESTA FUENTE DE ALIMENTACIÓN. PROVOCARÍA DAÑOS GRAVES.

⚠️ ADVERTENCIA – Para evitar peligro eléctrico potencial, si el cable de alimentación CA está dañado, SÓLO debe ser sustituido por el fabricante.

PRECAUCIONES DE SEGURIDAD IMPORTANTES



ADVERTENCIA: Cuando mezcle ácido con agua, **AÑADA SIEMPRE ÁCIDO AL AGUA, NO AÑADA NUNCA AGUA AL ÁCIDO.**

⚠ PRECAUCIÓN – El uso de productos químicos diferentes a los recomendados puede ser peligroso. Incluso el uso adecuado de los productos químicos recomendados puede ser peligroso. Siga las instrucciones del fabricante de productos químicos.

⚠ PRECAUCIÓN – Para reducir el riesgo de descarga eléctrica, instale el generador electrónico de cloro IntelliChlor (IECG) a una distancia de como mínimo cinco (5) pies respecto de la pared interior de la piscina.

⚠ PRECAUCIÓN – Instale el IECG a una distancia de como mínimo tres (3) pies de la toma de corriente del calentador.

⚠ PRECAUCIÓN – Se recomienda conectar un conductor de enlace de cobre sólido de un calibre no inferior al n° 8AWG (8,4 mm) desde el conector de cable accesible en la unidad a todas las piezas de metal de la piscina, spa o estructura de bañera caliente y a todo el equipo eléctrico, conducto de metal y tubería de metal dentro de una distancia de cinco (5) pies (1,5 m) respecto a las paredes interiores de una piscina, spa o bañera caliente, cuando la unidad esté instalada dentro de una distancia de cinco (5) pies respecto a las paredes interiores de la piscina, spa o bañera caliente.

⚠ ADVERTENCIA – La fuente de alimentación IC15 sólo funcionará con IC15 celular. **NO conecte esta fuente de alimentación a cualquier otra célula IntelliChlor. Daños muy graves producen.**

⚠ PRECAUCIÓN – La fuente de alimentación IC15 deben estar interconectadas con la fuente de alimentación del motor bomba de la piscina. Esto hace que la bomba IECG y la piscina se encienden y se apagan juntos. Fusibles de fuente de alimentación sólo se debe obtener de los fabricantes.

⚠ PRECAUCIÓN Cuando se utiliza el generador de cloro IntelliChlor electrónico (IECG), con un IntelliTouch®, EasyTouch® o el sistema SunTouch®, siempre conecte el centro de poder IECG al lado de la bomba del regulador localizado en la IntelliTouch, EasyTouch o centro de SunTouch carga. Este método de cableado no requiere un circuito de falla a tierra-tierra (GFCI) para proteger el circuito. Un terminal de color verde (o un conector con la marca "G", "GR", "tierra" o "tierra") se realiza en el compartimento de terminales en el recinto el Centro de energía del transformador. Para reducir el riesgo de descarga eléctrica, conecte este terminal o conector al terminal de puesta a tierra de servicio de tó eléctrico o panel de suministro con un conductor equivalente en tamaño a los conductores de suministro eléctrico de este equipo. La fuente de alimentación debe estar interconectada con la bomba de la piscina fuente de alimentación del motor. Este IECG asegura que la bomba de la piscina se encienden y se apagan juntos.

PRECAUCIONES DE SEGURIDAD IMPORTANTES

CONSERVE ESTAS INSTRUCCIONES

Canadá – Industry Canada (IC) – Este dispositivo cumple las prescripciones de RSS210 o Industry Canada. (1999)

Estándar FCC (Federal Communications Commission: Comisión federal de comunicaciones) – La unidad IntelliChlor cumple los requisitos esenciales de la **Directiva 1999/5/CE**.

Este producto cumple la Directiva CEM 2004/08/CE.

FCC Standard - 47 CFR Part 15, Subpart C (Section 15.247). Esta versión se limita al capítulo 1 del capítulo 11 por firmware específico controlado en los EE.UU.

DECLARACIÓN DE CONFORMIDAD CE

Para el siguiente equipo: **Generador de cloro IntelliChlor**

Por la presente se confirma que cumple los requisitos fijados en la **Directiva del Consejo sobre la homologación de las leyes de los Estados miembro relacionadas con la compatibilidad electromagnética (2004/08/CEE)**, **Directiva de bajo voltaje (73/23/CEE)** y la **Directiva enmendada (93/68/CEE)**, los procedimientos establecidos en la **Directiva del Consejo Europeo 99/5/CE** y **89/336/CEE**.

El equipo ha superado la comprobación con éxito. La prueba se realizó de acuerdo a los siguientes estándares europeos:

- EN 300 328 V.1.7.1 (2003-04)
- EN 301 489-1 V.1.6.1 (2001-09) / EN 301 489-17 V.1.2.1 (2000-09)
- EN 50371: 2002
- EN 60950-1:2001

GUARDE ESTAS INSTRUCCIONES

Federal Communications Commission (FCC) – Este dispositivo cumple la Parte 15 de las reglas FCC.

El manejo está sujeto a las dos condiciones siguientes: (1) este dispositivo no debe causar interferencias, y (2) este dispositivo debe aceptar cualquier interferencia, incluyendo la interferencia que pueda provocar un manejo no deseado del dispositivo.

Declaración de interferencia – Este equipo ha sido verificado y se ha comprobado que cumple los límites para un dispositivo digital de la Clase B, según la Parte 15 de las reglas FCC. Estos límites están concebidos para ofrecer una protección conveniente frente a interferencias perjudiciales en una instalación residencial. Este equipo genera, utiliza y puede emitir energía de radiofrecuencia y, si no se instala y utiliza de acuerdo a estas instrucciones, puede causar interferencias perjudiciales para las radiocomunicaciones. En cualquier caso, no se garantiza que la interferencia no suceda en una instalación particular. Si este equipo causara interferencia perjudicial para la recepción de radio o televisión, lo cual puede comprobarse encendiendo y apagando el equipo, se recomienda al usuario que intente corregir la interferencia con una o varias de las siguientes medidas:

- Reoriente o cambie de sitio la antena receptora.
- Aumente la separación entre el equipo y el receptor.
- Conecte el equipo en una salida de un circuito diferente a aquél al que está conectado el receptor.
- Consulte al vendedor o a un técnico de radio/TV con experiencia para que le ayude.

Nota: Las modificaciones que no hayan sido expresamente aprobadas por la parte responsable de la conformidad FCC pueden invalidar la autoridad del usuario para manejar el dispositivo.

Soporte técnico

IMPORTANTE: Cuando utilice IntelliChlor con un sistema IntelliTouch, se recomienda para conectar el centro de poder hacia el lado de la bomba del regulador localizado en el Centro de Carga IntelliTouch. Este método no requiere de un circuito de falla a tierra-tierra (GFCI) para proteger el circuito.

Descripción general del generador electrónico de cloro IntelliChlor

El clorinador de sal generador electrónico de cloro IntelliChlor® (IECG) utiliza un proceso conocido como electrólisis para producir gas de cloro que inmediatamente se disuelve en una solución para crear hipoclorito y hipoclorous ácido (un desinfectante de agua de piscina y spa). El hipoclorito y hipoclorous ácido mata bacterias, oxida material orgánico y mata algas, y después se vuelve a convertir en sal. El IECG reutiliza entonces la sal y el proceso vuelve a comenzar desde el principio. El sistema IntelliChlor está compuesto del IECG y la central de alimentación.

⚠ PRECAUCIÓN – El generador electrónico de cloro IntelliChlor (IECG) ha sido concebido sólo para producir cloro. El IECG no supervisa ni controla los niveles de cloro del agua de la piscina o spa. Es responsabilidad del dueño de la piscina supervisar y mantener los niveles de cloro libre dentro del margen entre 2,0 y 4,0 partes por millón (00m) recomendado por la Asociación de Profesionales de Piscinas y Spa (APSP, por sus siglas en inglés). Es responsabilidad del dueño de la piscina comprobar periódicamente el nivel de cloro libre mientras la bomba está en marcha y ajustar el generador electrónico de cloro IntelliChlor correspondientemente.

⚠ ADVERTENCIA – La sal es un material inherentemente corrosivo. Mientras que los niveles de sal requeridos para manejar correctamente el generador electrónico de cloro IntelliChlor son relativamente bajos comparados con los niveles del agua del mar u otras soluciones salinas, utilizar cualquier cantidad de sal en su piscina aumenta la posibilidad de corrosión u otro tipo de deterioro de las superficies particularmente susceptibles de corrosión y deterioro utilizadas en y alrededor de piscinas con sistemas de cloración salina. Pentair Water Pool and Spa (“Pentair”) no sostiene ni garantiza de modo alguno que el uso adecuado del generador electrónico de cloro IntelliChlor vaya a prevenir la corrosión u otro deterioro del equipo de la piscina y de cualquier superficie dentro y en los alrededores de la piscina. Consulte al profesional en piscinas con experiencia de su confianza para que le asesore sobre la correcta selección de materiales, las técnicas de instalación de estos materiales y el uso, cuidado y mantenimiento adecuados de estos materiales para el tipo y localización específicos de su piscina con objeto de minimizar la corrosión y el deterioro inherentes en y alrededor de las piscinas con sistemas de cloración salina.

⚠ PRECAUCIÓN – PARA TODAS LAS PISCINAS DE YESO DE NUEVA CONSTRUCCIÓN O CUYO REVESTIMIENTO SE HAYA RENOVADO: No utilice el IECG en piscinas de yeso de nueva construcción o cuyo revestimiento se haya renovado recientemente. La sal es un elemento corrosivo y se pueden producir daños graves en su piscina. Deje pasar al menos UN (1) MES después de la construcción para permitir que el yeso se endurezca antes de añadir sal y utilizar el IECG. Siga las indicaciones del fabricante de la superficie de su piscina específica. PARA PISCINAS CON REVESTIMIENTO DE VINILO NUEVO, póngase en contacto con el fabricante para conocer las indicaciones recomendadas antes de añadir sal y utilizar el IECG.

Características

- Diseño óptimo que combina célula y panel de control en un conjunto.
- Hojas de células están hechas de una base de metal de titanio y recubierto con óxido de rutenio precioso metal.
- Para la célula IC20 e IC40, las hojas son capaces de producir cloro durante, como mínimo, 10.000 horas, si el IECG se utiliza correctamente. Para IC15, son capaces de producir durante un mínimo de 7.500 horas, si el IECG se utiliza correctamente.
- El IECG se puede instalar horizontal o verticalmente.
- La central de alimentación separada se monta al muro en la placa del equipo, para un fácil cableado CA.
- El funcionamiento del sistema electrónico no genera calor para una larga y fiable vida útil.
- El contador de horas de la célula informa sobre la utilización actual para determinar cuántas horas de vida útil le quedan a la unidad.
- El modelo IC60 produce más de 900 g por día.
- El modelo IC40 produce más de 640 g por día.
- El modelo IC20 produce más de 320 g por día y el IC15 más de 270 g por día.
- Los indicadores LED del nivel de sal muestran tres rangos de cantidad de sal en la piscina.
- Los Los indicadores LED rojo y amarillo muestran el estado del sistema en referencia a agua fría caudal de agua y estado de la célula.
- El control de los botones de nivel de producción MÁS y MENOS indica cuánto cloro se produce.
- El ciclo BOOST (de refuerzo) ajusta la unidad a la máxima producción de cloro durante 24 horas de tiempo de funcionamiento de la bomba.
- Incluido en la lista UL para estándares UL1081 para clorinadores de piscinas.
- Homologado por los estándares reguladores de NSF y con certificado CE.

Componentes del sistema IntelliChlor

Un sistema IntelliChlor de generador electrónico de cloro IntelliChlor consiste en uno varios de los siguientes componentes:

- Kit de central de alimentación PC100 (ref. 5210556): Proporciona alimentación y comunicación de control a y desde la célula IntelliChlor. (sólo IC20 e IC40)
- **Célula IC 15** (PIN 521888): Concebida para piscinas de más de 55.000 litros. La célula producirá el equivalente a 270 g de cloro puro durante 24 horas de tiempo de funcionamiento continuo de la bomba de piscina. El IC15 contiene una célula IC15 y su kit de central de alimentación.
- **Célula IC20** (PIN 510554): Concebida para piscinas de más de 75.000 litros. La célula producirá el equivalente a 320 g de cloro puro durante 24 horas de tiempo de funcionamiento continuo de la bomba de piscina.
- **Célula IC40** (PIN 520555). Concebido para piscinas de más de 150.000 litros. La célula producirá el equivalente a 640 g de cloro puro durante 24 horas de tiempo de funcionamiento continuo de la bomba de piscina.
- **Célula IC60** (PIN 521105). Concebido para piscinas de más de 227,124 litros. La célula producirá el equivalente a 740 g de cloro puro durante 24 horas de tiempo de funcionamiento continuo de la bomba de piscina.
- Célula de derivación “dummy” de IntelliChlor (ref. 520588): Para la nueva puesta en marcha de la piscina.

Descripción del panel de control y de la célula del generador electrónico de cloro IntelliChlor

El generador electrónico de cloro IntelliChlor (IECG) incluye un panel de control con botones e indicadores LED para controlar el IECG y producir cloro. El IECG mide la temperatura del agua y el nivel de sal para producir cloro en el nivel de producción definido. Si el nivel de sal del agua de la piscina es demasiado bajo (rojo en el display de sal), la célula se desconectará hasta que se añada sal a la piscina. El controlador tiene un ciclo de autolimpieza que invierte la polaridad de la célula, reduciendo la acumulación de calcio. Esta función conecta y desconecta la célula en intervalos periódicos para minimizar la acumulación de calcio e incrustaciones y además maximiza la vida útil de la célula.

El IECG contiene el sistema electrónico de control y electrodos bipolares que producen cloro eléctricamente cuando se alimentan con corriente CC. El cloro se genera cuando el agua de piscina que contiene sal pasa a través de la célula. La producción de cloro puede variar ajustando el nivel de producción de desinfectante en el panel de control y/o variando el número de horas que el IECG está conectado cada día. El IECG invierte automáticamente las hojas del electrodo de la célula cada pocas horas para ayudar a que se limpie la célula. Este proceso no interrumpe la producción de cloro. El IECG incluye también un sensor mecánico de caudal para asegurar que pasa una cantidad adecuada de agua a través de la célula para permitir que se produzca la cloración. El IECG mide automáticamente la salinidad y temperatura del agua e indica tres (3) rangos de salinidad en el panel de control mediante indicadores LED. El IECG incluye un cable de calibre 16 de cuatro conductores de 4,50 m aprobado por UL para la conexión a la central de alimentación.

- **Sensor de caudal:** Un sensor de caudal asegura que pase siempre un caudal adecuado de agua a través del IECG. Si el IECG no está conectado correctamente y/o no recibe el caudal de agua adecuado no se producirá cloro.
- **Sensor de temperatura:** Para proteger el IECG de daños de funcionamiento y daños potenciales si la temperatura del agua de la piscina cae por debajo de 11 °C, $\pm 1,67$ °C; el sensor de temperatura desconecta el IECG, enciende la luz AGUA FRÍA y no se producirá cloro.
- **Sensor de sal:** Dos (2) sondas de sensores de sal en el IECG se activan cada vez que se conecta el IECG y de nuevo cada 12 horas de funcionamiento continuo. En cada una de esas ocasiones, las luces del indicador LED del nivel de sal se encienden en una secuencia cíclica de dos (2) minutos para indicar que el IECG se encuentra en el modo de análisis. Después de dos (2) minutos, las luces del indicador LED indicarán uno de los tres rangos de salinidad. Para más información, véase “LEDs de estado de nivel de sal” en la página 13.

Nota: La lectura del sensor de sal tiene una exactitud de +/- 500 ppm.



Generador electrónico de cloro IntelliChlor

Fuente de alimentación IntelliChlor – IC15

La fuente de alimentación IntelliChlor convierte la corriente eléctrica CA en corriente eléctrica CA de bajo voltaje requerida para producir cloro. La fuente de alimentación está conectada con la fuente eléctrica de la bomba de circulación de la piscina de tal manera que el IECG sólo funciona cuando la bomba está conectada. Un cable de 4,5 m conectado a la unidad IC15 se conecta con la fuente de alimentación, directamente en una salida de 220 VCA. La fuente de alimentación se puede montar verticalmente en la pared a una distancia de hasta 4,5 m del IECG. La fuente de alimentación incluye el transformador, fusible (1 AMP 250V, 3AG), conector a la célula y cable eléctrico CA con conector. No hay otros controles o luces en la fuente de alimentación. La fuente de alimentación debe conectarse a una salida protegida mediante seccionador de circuito por fallo a tierra (GFCI, por sus siglas en inglés).

⚠ PRECAUCIÓN – La fuente de alimentación de IntelliChlor **NO** controla la bomba. El generador electrónico de cloro IntelliChlor, modelo IC15, sólo produce cloro cuando la bomba está encendida.

⚠ PRECAUCIÓN – Desconecte primero la alimentación CA a la fuente de alimentación antes de conectar o desconectar el IntelliChlor IC15.



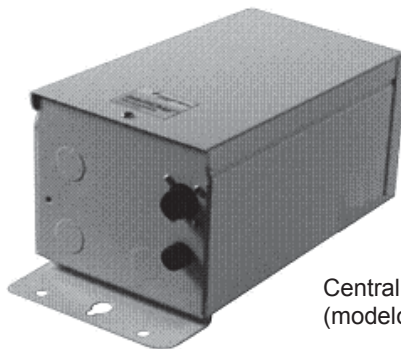
Fuente de alimentación de IntelliChlor IC15

Central de alimentación IntelliChlor - IC20, IC40 e IC60

La central de alimentación IntelliChlor convierte la corriente eléctrica alterna (CA) en corriente eléctrica continua (CC) de bajo voltaje, necesaria para producir cloro. La fuente de alimentación está conectada a la bomba de circulación de la piscina de modo que el IECG sólo funciona cuando la bomba de la piscina está encendida. La central de alimentación debe montarse en la pared verticalmente y a una distancia de hasta 4,50 m del IECG. La central de alimentación contiene el transformador, fusible, conector a la célula y la configuración del cableado de corriente alterna con el cable de salida de la corriente continua al IECG. Un soporte de fusible está montado en la parte inferior de la central de alimentación para una mayor protección. No hay otros controles ni otras luces en la central de alimentación.

⚠ PRECAUCIÓN - La central de alimentación de IntelliChlor **NO** controla la bomba. El generador electrónico de cloro IntelliChlor sólo produce cloro cuando la bomba está encendida.

⚠ PRECAUCIÓN – Antes de co-nectar o desconectar el generador electrónico de cloro IntelliChlor a/de la central de alimentación, desco-necte primero la alimentación CA de la central de alimentación.



Central de alimentación de IntelliChlor (modelo PC 100) para IC20, IC 40 e IC 60

Diagrama esquemático del sistema para IC20, IC40, IC60

El siguiente diagrama esquemático muestra el sistema de instalación típico de IntelliChlor.

Nota: Este diagrama esquemático no está dibujado a escala. Ver las partes relevantes de este Manual de instalación y Guía del usuario en referencia a la información referente a la colocación y ubicación de todo el equipo representado en este diagrama.

Instalación de alimentadores de cloro/bromo a continuación de la célula IntelliChlor

⚠ PRECAUCIÓN – Para evitar daños permanentes a la célula IntelliChlor, automático en línea de cloro / bromo alimentadores (por ejemplo, Pentair Water Pool and Spa ® modelos Rainbow) debe ser instalado después de la célula IntelliChlor como se muestra a continuación. Cuando se utiliza el IntelliChlor con un sistema más limpio en el piso de la presión, se recomienda que una línea de retorno separado sea utilizado para la limpieza para reducir el estrés hídrico aumento de la presión en la célula IntelliChlor.

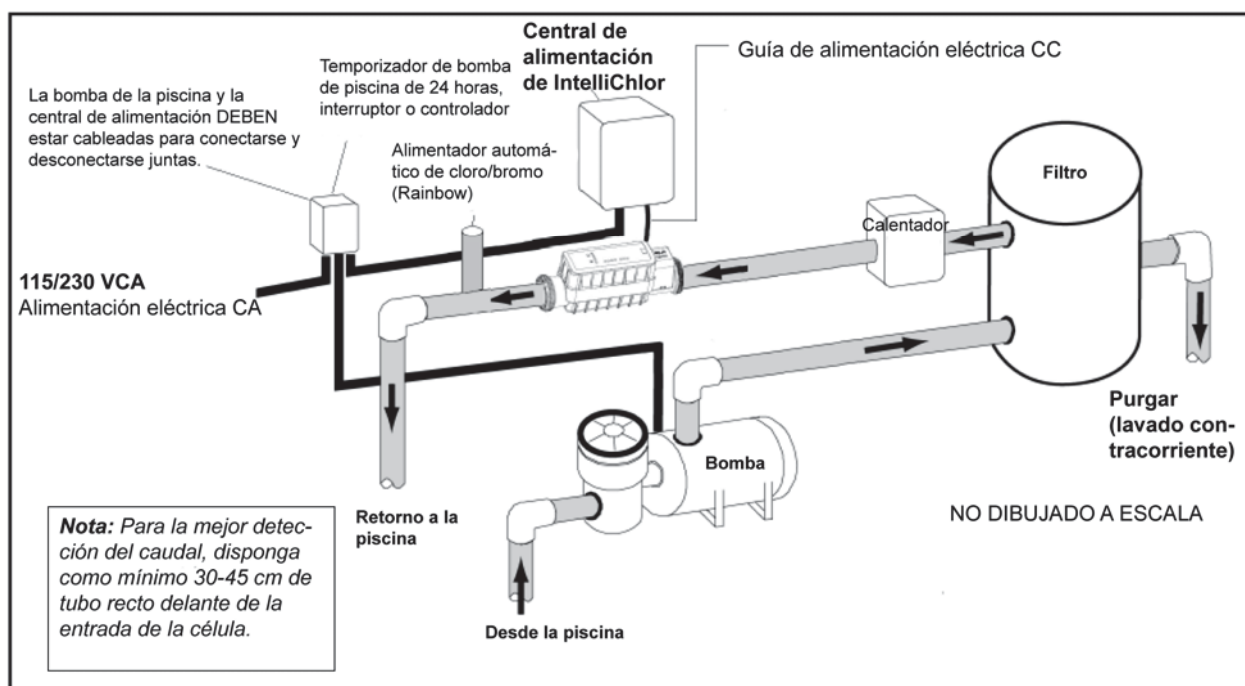


Diagrama del circuito de tuberías

El generador electrónico de cloro IntelliChlor está diseñado para trabajar con caudales de agua que oscilan entre los 5 m³ por hora y los 24 m³ por hora (25 gpm > 105 gpm). No exceder los 24 m³ o el caudal recomendado por el fabricante de las tuberías (tomar el menor valor como límite). Para caudales por encima de 18 m³ por hora (80 gpm), se recomienda una instalación de derivación (como se muestra abajo) para una mejor producción de cloro. Instalaciones que soportan un caudal por encima de 18 m³ por hora (80 gpm) son aquellas que disponen de un sistema de limpiado del fondo o bombas booster (de refuerzo). Estos sistemas deben instalarse en derivación con el IECG por medio de una válvula de control del caudal para asegurar que el caudal de agua a través del IECG se mantiene dentro de los valores para los que ha sido diseñado.

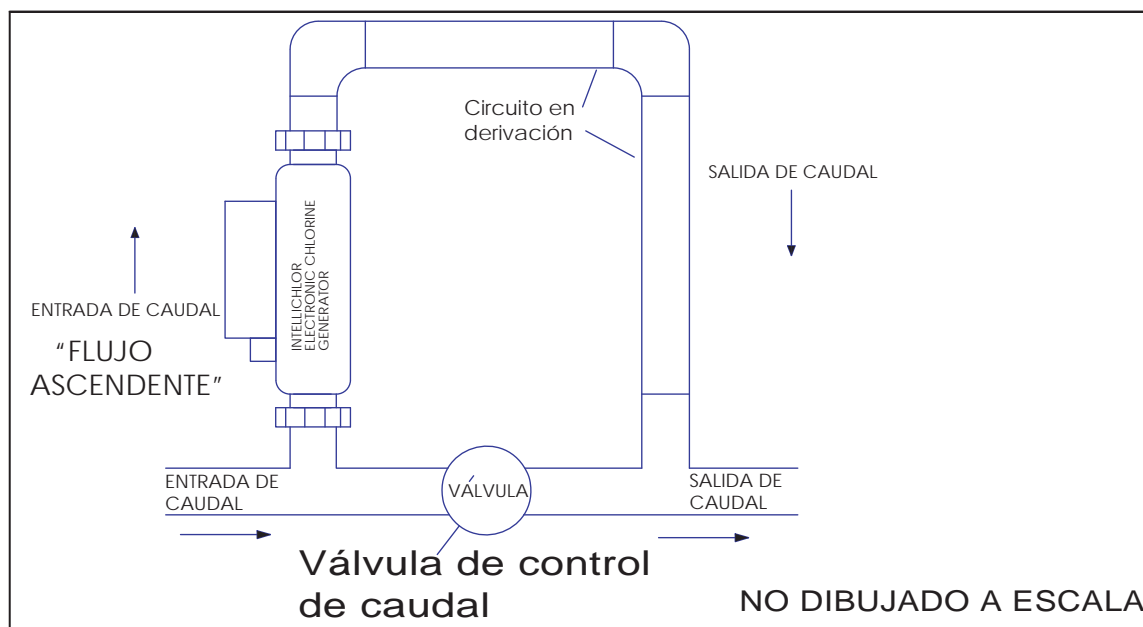


Diagrama de tuberías de IntelliChlor

Tuberías del generador electrónico de cloro IntelliChlor (IECG):

- **Instalar siempre el generador electrónico de cloro IntelliChlor A CONTINUACIÓN del filtro y el calentador (ver el "Diagrama del sistema" en la página 4). El IECG no debe ubicarse a una distancia de menos de un metro con respecto a la salida del calentador.**
- **Si el IECG se instala en un sistema combinado de piscina y spa, instalar (ver diagrama abajo) el IECG ANTES de la válvula de retorno de la piscina/spa para permitir una cloración apropiada tanto de la piscina como del spa y también para evitar la formación de trampas de gas en los tubos.**

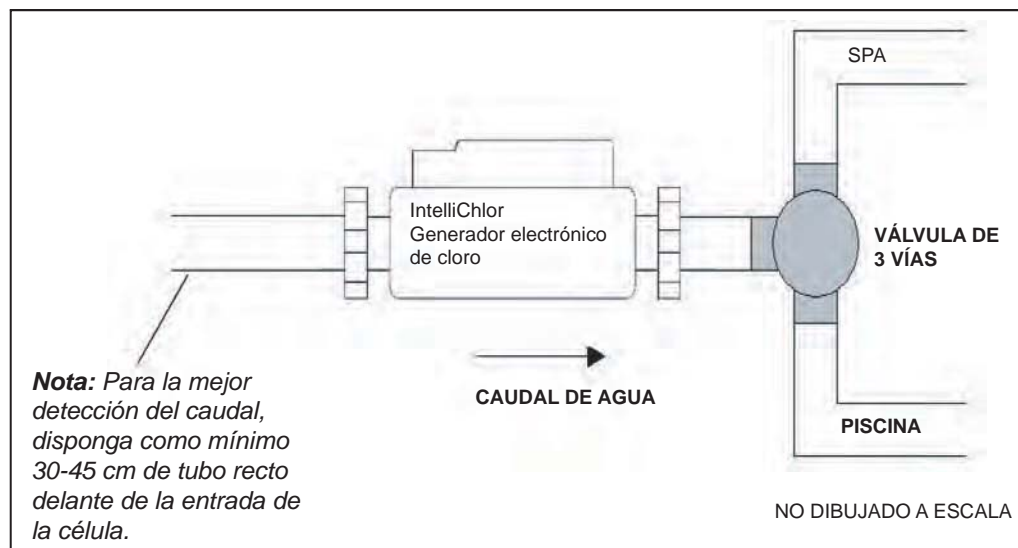


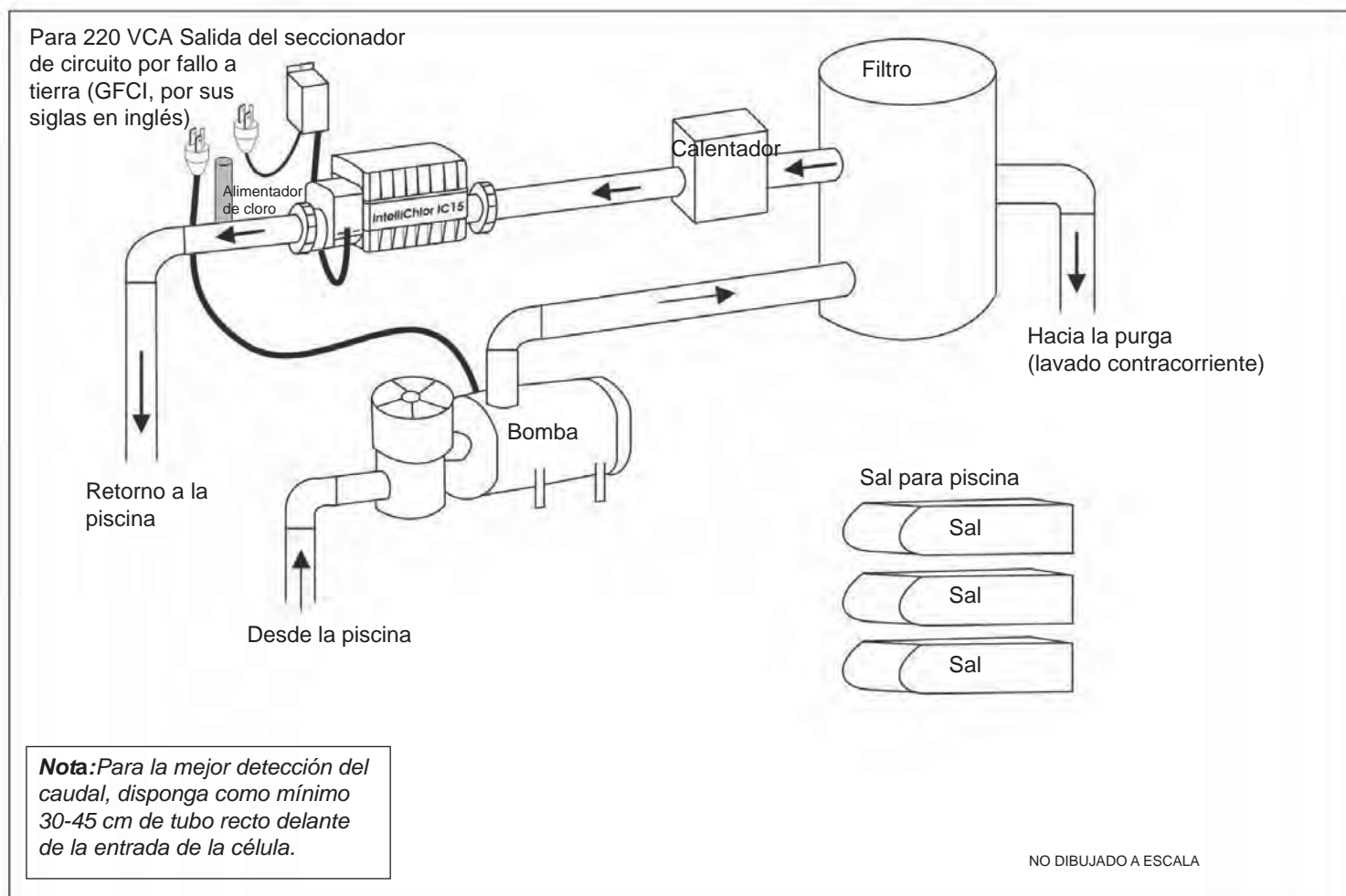
Diagrama esquemático para IC15

El siguiente diagrama esquemático muestra el sistema de instalación típico de IntelliChlor.

Nota: Este diagrama esquemático no está dibujado a escala. Consultar en las partes correspondientes de este Manual de instalación y Guía del usuario la información referente a la colocación y ubicación de todo el equipo representado en este diagrama.

Instalación de alimentadores de cloro/bromo a continuación de la célula IntelliChlor

PRECAUCIÓN – Para evitar un daño permanente de la célula IntelliChlor, los alimentadores de cloro/bromo (como Rainbow) **DEBEN** instalarse **A CONTINUACIÓN** de la célula IntelliChlor, tal y como se muestra abajo. Cuando se utiliza IntelliChlor con un sistema de limpieza a presión integrado en el suelo se recomienda utilizar un conducto de retorno separado para que el limpiador reduzca el esfuerzo debido al aumento de la presión de agua sobre la célula IntelliChlor



Panel de control de IntelliChlor

LEDs del estado del nivel de sal (Salt Level)

El IECG comprueba el nivel de sal de la piscina diariamente e indica los niveles del siguiente modo:

LED verde: Nivel correcto de sal (Good). El nivel de sal del agua está entre 2800 ppm y 4500, y el IECG está produciendo cloro. IECG sal LED debe estar siempre verde que muestra el nivel para obtener mejores resultados.

LED verde intermitente: El nivel de sal está por encima de 4500 ppm. Se está produciendo cloro pero el nivel de sal es demasiado alto, lo que incrementa el riesgo de corrosión y deterioro del equipo de la piscina y de las superficies de su interior y alrededor. El agua de la piscina necesita ser vaciada y rellenada de nuevo, a intervalos de un (1) pie cada vez, hasta que el nivel de sal esté por debajo de 4500 ppm.

LED Rojo: Nivel muy bajo de sal (Low). El nivel de sal del agua ha descendido hasta 2600 ppm. El IECG no producirá cloro hasta que se añada sal. El IECG está apagado

LED Rojo: Nivel bajo de sal. El nivel de sal del agua está por debajo de 2800 ppm y el LED está a punto de pasar a modo permanente a rojo, dejándose de producir cloro. Añadir sal hasta que la luz verde de NIVEL CORRECTO se ilumine.

Nota: Después de cada adición de la sal, la bomba se debe permitir que corra por lo menos 24 horas para la dilución adecuada. Lecturas de salinidad sólo se deben tomar, después del período de dilución.

LEDs de estado (Status)

Agua Fría: Muestra el estado de alimentación del generador electrónico de cloro IntelliChlor:

- **No Luz:** El IECG está operando en el rango de temperatura normal (> 11 °C)
- **Rojo:** El IECG es en modo "Standby" (fuera del sistema, no chlorine production) debido a una condición de agua fría. El IECG se reanuda el modo de funcionamiento normal, incluido el informe de la salinidad correcta, una vez que la temperatura del agua sube por encima de 11 °C.

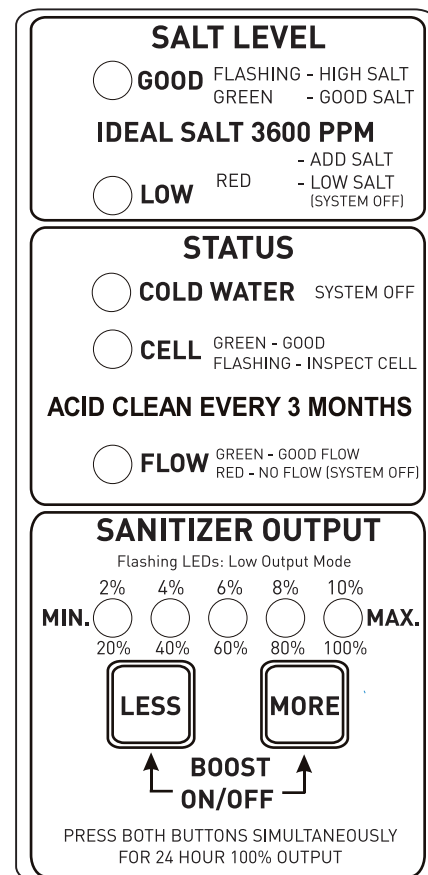
Célula (Cell): Muestra el estado del IECG.

- **Verde (intermitente):** El IECG necesita ser inspeccionado. Las hojas pueden tener incrustaciones de calcio. El IECG no está produciendo cloro.
- **Verde:** IECG funciona correctamente y produce cloro.

Sin luz: IECG está apagado y no produce cloro. El ciclo de depuración puede estar interrumpido temporalmente y volverá a funcionar dentro de unos instantes.

Caudal (Flow): Esta luz indica el estado del caudal de agua a través del IECG.

- **Rojo:** El caudal de agua que pasa por el IECG es insuficiente, no se está produciendo cloro.
- **Verde:** Caudal de agua suficiente para producir cloro.



Panel de control del operador (continuación)

Indicadores LED de la producción de desinfectante (Sanitizer Output)

Los cinco (5) indicadores LED se presentan en forma de gráfico de barras para mostrar en incrementos del 20% el porcentaje de tiempo en el que se produce el cloro por cada hora de funcionamiento de la bomba. En el modo BOOST (de refuerzo), estos LEDs (parpadeo de izquierda a derecha).

Nota: Si ningún LED se encuentra encendido, la producción está ajustada en 0% y el generador electrónico de cloro IntelliChlor no está produciendo cloro.

- 0% - No se enciende ningún LED – No se produce cloro – El generador electrónico de cloro IntelliChlor está desconectado.
- 20% - 1 LED encendido – produce cloro el 20% de cada hora de tiempo de funcionamiento de la bomba, 12 minutos conectado, 48 minutos desconectado.
- 40% - 2 LEDs encendidos – produce cloro el 40% de cada hora de tiempo de funcionamiento de la bomba, 24 minutos conectado, 36 minutos desconectado.
- 60% - 3 LEDs encendidos – produce cloro el 60% de cada hora de tiempo de funcionamiento de la bomba, 36 minutos conectado, 24 minutos desconectado.
- 80% - 4 LEDs encendidos – produce cloro el 80% de cada hora de tiempo de funcionamiento de la bomba, 48 minutos conectado, 12 minutos desconectado.
- 100% - 5 LEDs encendidos – produce cloro casi el 100% de cada hora de tiempo de funcionamiento de la bomba, 59 minutos conectado, 1 minuto desconectado.

Nota: Si está conectado a un IntelliTouch, EasyTouch o sistema SunTouch, estas luces pueden parpadear lentamente cuando la salida está fijado a un valor no es exactamente un 20%, 40%, 60% al 80% o 100%. Ejemplo: 21% ajuste de salida de la IntelliTouch, EasyTouch SunTouch o parpadea la luz del 20%. Botones de nivel de producción "More" y "Less".

Los botones de More y Less controlan el porcentaje de tiempo de cada hora en el que el generador electrónico de cloro IntelliChlor está produciendo cloro mientras la bomba está encendida (vea arriba los indicadores LED de producción de desinfectante). Las luces funcionan como un gráfico de barras: cuantas más luces hay encendidas, más cloro se produce. Levante la tapa del panel para acceder a los botones More, Less y botones de encendido/apagado de Boost (refuerzo). Para salir del modo **Boost**, pulse y mantenga pulsados los botones de **More** y **Less**. **Nota:** Si se dispone de conexión a un IntelliTouch, EasyTouch o sistema SunTouch, los botones de **More** y **Less** están desactivados y la producción de desinfectante de IntelliChlor se controla externamente.

More: Aumenta el tiempo en que la célula produce cloro en incrementos del 20%. Ejemplo: El display de la producción de desinfectante indica 20%. Pulsando el botón **More** una vez, se enciende la luz del 40%. La unidad producirá cloro el 40% de cada hora que el IECG esté conectado. Pulsando de nuevo **More** se enciende la luz del 60% y así hasta que las cinco (5) luces estén encendidas.

Less: Reduce el tiempo en que la célula produce cloro en incrementos del 20%. Ejemplo: El display de la producción de desinfectante indica 40%. Pulsando el botón **Less** una vez se apaga la luz del 40%, dejando sólo la luz del 20%. La unidad producirá cloro el 20% de cada hora que el IECG esté conectado. Pulsando de nuevo **Less** se apaga la luz del 20% dejando todas las luces apagadas, no hay producción de cloro.

Encendido/apagado de Boost (refuerzo): Pulse y mantenga pulsados simultáneamente los botones **More** y **Less** para activar o desactivar el modo Boost. El modo Boost ajusta la producción de desinfectante para funcionar al 100% durante las siguientes 24 horas de tiempo de funcionamiento de la bomba. Si el reloj temporizador desconecta el ciclo de bomba, volverá a conectar la alimentación al día siguiente. El modo Boost continuará hasta que hayan transcurrido 24 horas desde que se haya seleccionado el modo Boost o hasta que el usuario cancele el modo Boost. El display de producción de desinfectante mostrará una combinación de LEDs para indicar el modo Boost.

Autolimpieza

La función de autolimpieza reduce la acumulación de incrustaciones en las hojas del IECG. El ciclo de autolimpieza tiene de reducir la vida del IECG, por lo tanto, debe ser usado solamente en la medida en que sea necesario para minimizar la concentración de incrustaciones en las hojas. El ciclo de autolimpieza puede ajustarse para entrar en funcionamiento cada 2, 3, 4 ó 5 horas, el ajuste más adecuado dependerá de las condiciones de su piscina, para minimizar las incrustaciones y aumentar la vida del IECG. El ajuste de fábrica es de dos (2) horas para los primeros 30 días de funcionamiento, posteriormente pasa automáticamente a tres (3) horas. Para modificar el ciclo de autolimpieza, mantenga presionado durante tres (3) segundos el botón **Less**. El visualizador de la producción del desinfectante muestra el número de horas en un gráfico de barras. El número de LEDs de producción encendidos indica el número de horas en ajuste inverso.

Pulsando el botón **More** o **Less** se modifica el ajuste. **Ejemplo:** El ciclo de autolimpieza está ajustado en cuatro (4) horas y el propietario de las piscina decide cambiarlo a tres (3) horas para optimizar el ciclo de limpieza de hojas de acuerdo con las condiciones particulares de su piscina. Mantenga presionado el botón **Less** durante tres (3) segundos. El visualizador de la producción de desinfectante se apagará, posteriormente se encenderán las luces que indican 20%, 40%, 60% y 80%, cuatro (4) en total. Esto es un ajuste inverso de cuatro (4) horas. Pulsando una vez el botón **Less** dentro de un intervalo de diez (10) segundos, la luz que muestra 80% se apagará, quedando solamente tres (3) luces encendidas, ahora se dispone de un ajuste invertido a tres (3) horas. Esperar diez (10) segundos para que el modo finalice automáticamente, retornando la visualización de producción del desinfectante.

Composición química del agua de piscina, condiciones y precauciones

Esta sección describe el proceso de puesta en marcha y las instrucciones de funcionamiento del generador electrónico de cloro IntelliChlor.

Composición química del agua de la piscina, condiciones y precauciones

1. **Agua nueva de piscina:** En una piscina que haya sido llenada o renovada recientemente pueden surgir problemas no deseados. Estos problemas no deseados podrían interferir en la capacidad de IntelliChlor para generar cloro adecuadamente. Asegúrese de que el agua es analizada y tratada adecuadamente por un profesional de piscinas antes de encender el generador electrónico de cloro IntelliChlor.

⚠ ADVERTENCIA – La sal es un material inherentemente corrosivo. Mientras que los niveles de sal requeridos para manejar correctamente el generador electrónico de cloro IntelliChlor son relativamente bajos comparados con los niveles del agua del mar u otras soluciones salinas, utilizar cualquier cantidad de sal en su piscina aumenta la posibilidad de corrosión u otro tipo de deterioro de las superficies particularmente susceptibles de corrosión y deterioro utilizadas en y alrededor de piscinas con sistemas de cloración salina. Pentair Water Pool and Spa (“Pentair”) no sostiene ni garantiza de modo alguno que el uso adecuado del generador electrónico de cloro IntelliChlor vaya a prevenir la corrosión u otro deterioro del equipo de la piscina y de cualquier superficie dentro y en los alrededores de la piscina. Consulte al profesional en piscinas con experiencia de su confianza para que le asesore sobre la correcta selección de materiales, las técnicas de instalación de estos materiales y el uso, cuidado y mantenimiento adecuados de estos materiales para el tipo y localización específicos de su piscina con objeto de minimizar la corrosión y el deterioro inherentes en y alrededor de las piscinas con sistemas de cloración salina.

2. **Una sobrecloración** quema por completo los residuos del nadador que se han combinado con el cloro. Esto libera el cloro para desinfección. Esto se lleva a cabo elevando el nivel de cloro rápida y drásticamente. Cuando el nivel de cloro se eleva hasta diez (10) veces por encima de la cantidad de cloro combinando (normalmente entre 5 y 10 ppm) se produce en el agua de la piscina lo que se denomina supercloración. Puesto que el agua de la piscina está continuamente pasando por el IECG mientras la unidad está encendida, toda el agua de la piscina en el interior del IECG está siendo sometida a supercloración. Cuando el generador electrónico de cloro IntelliChlor se usa en piscinas, el agua de la piscina brilla y no provoca irritación en los ojos puesto que no contiene cloraminas. **Nota:** En la primera puesta en funcionamiento de una piscina, lo mejor es superclorar por medio de una fuente externa, por ejemplo, puede emplear un tratamiento de choque disponible en su proveedor local.
3. **No deben existir cloraminas** en el agua de piscina. Las cloraminas se forman al combinarse el amoníaco (que se encuentra en la orina y el sudor) con cloro libre. Esto neutraliza el cloro libre en su piscina e impide que el cloro de su piscina desinfecte. Las cloraminas también irritan los ojos y provocan un sabor desagradable. La supercloración elimina las cloraminas en la primera puesta en funcionamiento de la piscina y es necesaria para mantener los niveles adecuados de cloro libre.
4. **El ácido cianúrico** es necesario en piscinas al aire libre, contribuye a estabilizar y mantener los niveles adecuados de cloro. El 90% de cloro no estabilizado se destruye por la radiación ultravioleta del sol en dos horas. El ácido cianúrico protege el cloro del agua frente a la degradación provocada por las radiaciones ultravioleta. Al usar el IECG, el nivel de ácido cianúrico debe mantenerse entre 30-50 ppm. Consulte la tabla 2, de la página 20. **NOTA: NO USAR ÁCIDO CIANÚRICO EN PISCINAS CUBIERTAS.**
5. **Nivel total de sólidos disueltos (TDS):** Añadir sal al agua de la piscina elevará el nivel total de sólidos disueltos (TDS). Aunque esto no afecta negativamente a la composición química o a la claridad del agua de la piscina, el profesional del agua de piscina que comprueba el nivel total de sólidos disueltos (TDS) debe ser advertido de que se ha añadido sal al sistema IntelliChlor. La persona que realiza el análisis del nivel total de sólidos disueltos (TDS) (ver página 25) puede por tanto restar el nivel de salinidad para llegar a un nivel total de sólidos disueltos (TDS) que sería compatible con una lectura del nivel total de sólidos disueltos (TDS) para el agua de piscina sin sal.

6. **Metales** - Algunos metales, por ejemplo, cobre y hierro, pueden provocar una pérdida de cloro. Los metales también pueden manchar su piscina. Los metales pueden también dañar el generador electrónico de cloro IntelliChlor. Su profesional de piscinas debe comprobar la presencia de metales y recomendarle métodos para su eliminación.
7. **Los nitratos y fosfatos** pueden provocar una demanda extremadamente alta de cloro y reducir el cloro de su piscina. En algunos casos, los nitratos pueden incluso reducir a cero los niveles de cloro. El profesional de piscinas de su zona puede realizar un análisis de nitratos y fosfatos. Aunque un nivel de nitratos de 0 ppm es ideal, el propietario de la piscina debe asegurarse de que el nivel de nitratos NO supera los 10 ppm. Los fosfatos no deben sobrepasar las 125 partes por billón (ppb).

Condiciones químicas óptimas para piscinas con sistema de cloración salina

(utilizando el generador electrónico de cloro IntelliChlor)

De acuerdo con los estándares de la Asociación de Profesionales de Piscinas y Spa (APSP, por sus siglas en inglés) se recomienda que se mantengan regularmente las siguientes condiciones químicas del agua de piscina para proteger a los usuarios de la piscina, así como para la conservación del equipo de la piscina y de las superficies en el interior y alrededor de la piscina. Estos valores son importantes para mantener el equipo de la piscina en buenas condiciones de funcionamiento y prevenir la corrosión, formación de cal y otros problemas. Sólo se garantiza un funcionamiento correcto del generador electrónico de cloro IntelliChlor si se cumplen estas condiciones. Para más información, diríjase a la agencia competente de su zona, Instituto Nacional de Spa y Piscinas (NSPI, por sus siglas en inglés), CDC (Centro de Control de Enfermedades), o la OMS (Organización Mundial de la Salud).

Cloro libre:	2,0 - 4,0 ppm. Por encima de 4,0 ppm se puede provocar la corrosión de componentes de metal.
Cloro combinado (cloramias):	ninguno (superclorar para eliminar todas las cloramias).
pH:	7,2 - 7,8 (UTILICE ÁCIDO CLORHÍDRICO para reducir el pH y carbonato de sodio para elevar el pH.).
Ácido cianúrico:	30 - 50 ppm
Alcalinidad total:	80 - 120 ppm
Dureza del calcio:	200 - 400 ppm
TDS (nivel total de sólidos disueltos) (incluyendo sal):	de 3000 mínimo a entre 5700 y 6000 máximo ppm
Sal:	3000 - 4500 ppm (ideal 3400 ppm)
Metales (cobre, hierro, manganeso):	ninguno
Nitratos:	ninguno
Fosfatos:	menos de 125 ppb
Indice de Saturación:	-3 to + .3 (zero (0) mejor)

Piscinas cubiertas y piscinas con revestimiento de vinilo y reducción de niveles de producción de cloro

Cuando se utiliza el generador electrónico de cloro IntelliChlor con piscinas cubiertas y/o con revestimiento de vinilo se necesita menos cloro. Se recomienda reducir el nivel de producción de cloro mientras la piscina está cubierta. Para más información sobre los niveles de producción de cloro, consulte "Botones de nivel de producción Más y Menos", página 14.

Prueba de cloro

Se recomienda que las muestras para pruebas de cloro se tomen en dos (2) lugares de la piscina. Compare las muestras. Debería encontrarse un nivel más elevado en el conducto de retorno de la piscina. El nivel más elevado en el conducto de retorno de la piscina indica que el IECG está produciendo cloro. Tome muestras de cloro para pruebas en:

- El conducto de retorno de la piscina.
- 45 cm (18 pulgadas) detrás de la superficie y lejos del conducto de retorno de la piscina

¿Qué tipo de sal usar?

Cuanto más pura sea la sal, mejor será la vida útil y el funcionamiento del generador electrónico de cloro IntelliChlor. Utilice sal que sea al menos un 99,8% NaCl puro, cloruro de sodio. La sal preferida y recomendada es una sal evaporada, granulada, de calidad alimentaria, no ionizada y sin aditivos. Consulte a su proveedor de sal.

- Evite usar sal con agentes antiaglutinantes (ferrocianuro sódico, también conocido como YPS o prusiato amarillo de sosa). Los agentes de relleno pueden provocar algo de descoloración en accesorios y en los acabados de la superficie de la piscina.
- Las pastillas de sal acondicionadora del agua son formas comprimidas de sal evaporada y pueden utilizarse pero tardan en disolverse. Estas pastillas pueden dañar el yeso de la piscina u otras superficies dentro y alrededor de la piscina.
- No utilice cloruro de calcio o cloruro de potasio como fuente de sal. (Utilice sólo cloruro de sodio).
- No utilice sal gema (las impurezas insolubles mezcladas con la sal gema pueden acortar la vida útil del IECG).

¿Cuánta sal usar?

⚠ PRECAUCIÓN – PARA TODAS LAS PISCINAS DE YESO DE NUEVA CONSTRUCCIÓN O CUYO REVESTIMIENTO SE HAYA RENOVADO: No utilice el IECG en piscinas de yeso de nueva construcción o cuyo revestimiento se haya renovado recientemente. La sal es un elemento corrosivo y se pueden producir daños graves en su piscina. Deje pasar al menos UN (1) MES después de la construcción para permitir que el yeso se endurezca antes de añadir sal y utilizar el IECG. Siga las indicaciones del fabricante de la superficie de su piscina específica. **PARA PISCINAS CON REVESTIMIENTO DE VINILO NUEVO,** póngase en contacto con el fabricante para conocer las indicaciones recomendadas antes de añadir sal y utilizar el IECG.

Utilice la tabla 1 (página 19 en 20) para determinar la cantidad de sal que se va a necesitar. La mayoría de las piscinas contienen algo de sal, dependiendo de la fuente del agua y de las sustancias químicas utilizadas para la desinfección. Por tanto, el dueño de la piscina siempre debe comprobar los niveles de sal antes de añadir sal. Se puede utilizar un medidor portátil calibrado para NaCl (sal) para determinar los niveles de sal del agua de la piscina. Después de que se haya conectado el generador electrónico de cloro IntelliChlor, las luces del LED de nivel de sal parpadearán desde abajo hacia arriba durante dos (2) minutos mientras se analiza el agua de la piscina, a continuación, los indicadores LED mostrarán uno (1) de los cuatro (4) rangos de nivel de sal. Esta luz fija indica el estado de sal de la piscina.

- Se recomiendan entre 3000 y 3500 ppm de sal para un estado óptimo del agua.
- Una baja concentración de sal por debajo de 2600 ppm provocará que se desconecte la unidad
- Una alta concentración de sal por encima de 4500 ppm puede provocar una corrosión o deterioro excesivos en el equipamiento de la piscina y de las superficies cercanas en y alrededor de la piscina .

Nota: Las mediciones de sal variarán entre dispositivos de medición (tiras de comprobación de sal, comprobadores electrónicos y titulación). La lectura del sensor tiene una precisión de +/- 500 ppm. Para consultar más información sobre detección y solución de problemas relacionados con altos niveles de sal, véase “Detección y solución de problemas” en la página 33.

Cálculo del índice de saturación

El índice de saturación es una fórmula que relaciona pH, calcio y alcalinidad del agua de la piscina. Una piscina equilibrada correctamente tiene un rango de resultado de fórmula entre **-0,3 y 0,3**. Fuera de este rango, el agua de la piscina no está equilibrada, se pueden dañar los equipos o producirse incrustaciones en el IECG. La ecuación para calcular Si es:

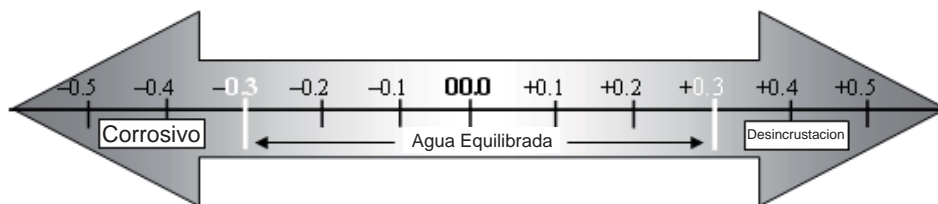
$$SI = pH + CHF + aF + TF + TDS$$

Índice de saturación pH como comprobado Factor de dureza del calcio Factor de alcalinidad Factor de temperatura TDS (nivel to-tal de sólidos disueltos) Factor

El ácido cianúrico en forma de iones de cianuro contribuye a la alcalinidad. No obstante, se debe hacer una corrección de la alcalinidad total. Extraemos 1/3 del nivel de ácido cianúrico del valor obtenido en la prueba de alcalinidad total.

Alcalinidad total - 1/3 del ácido cianúrico = alcalinidad corregida

Esta corrección puede ser considerable en piscinas establecidas con altos niveles de ácido cianúrico; por ejemplo, a un nivel de ácido cianúrico de 240 ppm, la corrección es de 80 ppm ($240 \div 3 = 80$).



TDS Factores - Los Factores demostrados en la lista de abajo son basados en las mediodas de los valores actuales para el parametro particular.

TDS Factoroes	
<1000	12.10
1000	12.19
2000	12.29
3000	12.35
4000	12.41
5000	12.44

(SI) Langelier Saturation Index Factores

Note: Utilizar la lectura mas cercana a la lectura actual cuando eleccione el factor. La total alcalinizada en este contexto se refiere al total de carbonato y a la alcalinidad del bicarbonato. Si cyanuric acid es usado, una correccion de factor debera ser usada (Revisar cyanuric acid en la tabla # 2 en la pagina 20).

Temperatura			Calcium Hardness		Total Carbonate Alkalinity	
°F	°C	TF	ppm (mg/L)	CHF	ppm (mg/L)	AF
32	0.0	0.0	25	1.0	25	1.4
37	2.8	0.1	50	1.3	50	1.7
46	7.8	0.2	75	1.5	75	1.9
53	11.7	0.3	100	1.6	100	2.0
60	15.6	0.4	125	1.7	125	2.1
66	18.9	0.5	150	1.8	150	2.2
76	24.4	0.6	200	1.9	200	2.3
84	28.9	0.7	250	2.0	250	2.4
94	34.4	0.8	300	2.1	300	2.5
105	40.6	0.9	400	2.2	400	2.6
			800	2.5	800	2.9

⚠ PRECAUCION – Nunca utilice ácido seco (bisulfato de sodio) para ajustar el pH en zonas geográficas áridas con excesiva evaporación y una disolución mínima del agua de piscina con agua limpia. Una acumulación de bioproductos puede dañar el IECG.

Preparación del agua de piscina

Determinar el tamaño de la piscina (galones de agua en su piscina)

- Piscinas rectangulares: Longitud x ancho x profundidad media x 7,5
- Piscinas circulares: Diámetro x diámetro x profundidad media x 5,9
- Piscinas ovales: Profundidad x ancho x profundidad media x 6,7
- Lados inclinados: Multiplicar los galones totales por 0,85 = capacidad en galones

Determinar el tamaño de la piscina (litros de agua en su piscina)

- Piscinas rectangulares: Longitud x ancho (metros) x profundidad media x 1000
- Piscinas circulares: Diámetro x diámetro x profundidad media x 785
- Piscinas ovales: Longitud x ancho (metros) x profundidad media x 893
- Lados inclinados: Multiplicar los litros totales por 0,85 = capacidad en litros.

Cómo añadir sal a la piscina

⚠ PRECAUCION - NO OPERE EL INTELLICHLOR CON YESO PARA PISCINA RECIÉN VERTIDO, PUEDEN PRODUCIRSE DAÑOS EN LA SAL. ESPERE AL MENOS 1 MES PARA QUE SE SEQUE EL YESO DE LA PISCINA NUEVA ANTES DE HACER FUNCIONAR EL INTELLICHLOR.

1. Conectar la bomba para hacer circular el agua de la piscina.
2. Comprobar el nivel de sal del agua de la piscina antes de añadir la sal.
3. Determinar la cantidad de sal según las siguientes tablas.
4. Verter lentamente la sal alrededor de todo el perímetro externo de la piscina para que se distribuya de forma rápida y uniforme. Para evitar que el filtro se atasque y se dañen el equipo de la piscina y las superficies que la rodean, no añada la sal a través del espumador o depósito de compensación.
5. Cepille el fondo de la piscina y deje que el agua circule durante 24 horas para que la sal se disuelva completamente.
6. Después de 24 horas, verifique que el valor del nivel de sal es correcto comprobando los indicadores LED del generador electrónico de cloro IntelliChlor y, de forma adicional, mediante otro método fiable de análisis.
7. Encienda el generador electrónico de cloro IntelliChlor y ajuste debidamente los parámetros del nivel de producción de desinfectante para mantener los niveles adecuados de cloro libre en el agua de la piscina (por ejemplo, entre los valores 2,0 - 4,0 ppm recomendados por APSP).

Tabla 1: Cantidad aproximada de libras (kg) de sal necesaria para obtener 3,400 ppm en lan piscina.

TABLA PARA LA ADICION DE SAL PARA 34000 PPM														
Pool Liters/Gal		0 ppm	250 ppm	500 ppm	750 ppm	1000 ppm	1250 ppm	1500 ppm	1750 ppm	2000 ppm	2250 ppm	2500 ppm	2800 ppm	3000 ppm
38,000 L (10,000 gal)	lbs	284.00	263.12	242.24	221.35	200.47	179.59	158.71	137.82	116.94	96.06	75.18	50.12	33.41
	kg	128.82	119.35	109.88	100.41	90.93	81.46	71.99	62.52	53.04	43.57	34.10	22.73	15.16
45,425 L (12,000)	lbs	340.80	315.74	290.68	265.62	240.56	215.51	190.45	165.39	140.33	115.27	90.21	60.14	40.09
	kg	154.59	143.22	131.85	120.49	109.12	97.75	86.39	75.02	63.65	52.29	40.92	27.28	18.19
53,000 L (14,000)	lbs	397.60	368.36	339.13	309.89	280.66	251.42	222.19	192.95	163.72	134.48	105.25	70.16	46.78
	kg	180.35	167.09	153.83	140.57	127.31	114.05	100.78	87.52	74.26	61.00	47.74	31.83	21.22
60,000 L (16,000)	lbs	454.40	420.99	387.58	354.16	320.75	287.34	253.93	220.52	187.11	153.69	120.28	80.19	53.46
	kg	206.12	190.96	175.80	160.65	145.49	130.34	115.18	100.03	84.87	69.72	54.56	36.37	24.25
68,000 L (18,000)	lbs	511.20	473.61	436.02	398.44	360.85	323.26	285.67	248.08	210.49	172.91	135.32	90.21	60.14
	kg	231.88	214.83	197.78	180.73	163.68	146.63	129.58	112.53	95.48	78.43	61.38	40.92	27.28
76,000 L (20,000)	lbs	568.00	526.24	484.47	442.71	400.94	359.18	317.41	275.65	233.88	192.12	150.35	100.24	66.82
	kg	257.64	238.70	219.76	200.81	181.87	162.92	143.98	125.03	106.09	87.14	68.20	45.47	30.31
83,000 L (22,000)	lbs	568.00	526.24	484.47	442.71	400.94	359.18	317.41	275.65	233.88	192.12	150.35	100.24	66.82
	kg	257.64	238.70	219.76	200.81	181.87	162.92	143.98	125.03	106.09	87.14	68.20	45.47	30.31
90,000 L (24,000)	lbs	681.60	631.48	581.36	531.25	481.13	431.01	380.89	330.78	280.66	230.54	180.42	120.28	80.19
	kg	309.17	286.44	263.71	240.97	218.24	195.51	172.77	150.04	127.31	104.57	81.84	54.56	36.37
106,000 L (28,000)	lbs	795.20	736.73	678.26	619.79	561.32	502.85	444.38	385.91	327.44	268.96	210.49	140.33	93.55
	kg	360.70	334.18	307.66	281.14	254.61	228.09	201.57	175.05	148.52	122.00	95.48	63.65	42.44
134,000 L (30,000)	lbs	852.00	789.35	726.71	664.06	601.41	538.76	476.12	413.47	350.82	288.18	225.53	150.35	100.24
	kg	386.47	358.05	329.63	301.22	272.80	244.38	215.97	187.55	159.13	130.72	102.30	68.20	45.47

Tabla 2: Cantidad aproximada de libras (kg) de acido cianúrico necesaria para obtener 40 ppm en lan piscina.

Cyanuric Acid Level - ppm	38,000 L	45,425 L	53,000 L	60,600 L	68,137 L	76,000 L	83,300 L	90,850 L	98,421 L	106,000 L	134,000 L
0	3.25 (1.47 kg)	3.90 (1.77 kg)	4.55 (2.6 kg)	5.20 (2.36 kg)	5.85 (2.65 kg)	6.50 (2.94 kg)	7.15 (3.24 kg)	7.80 (3.53 kg)	8.45 (3.83 kg)	9.10 (4.12 kg)	9.75 (4.42 kg)
10	2.43 (1.10 kg)	2.92 (1.32 kg)	3.40 (1.54 kg)	3.89 (1.76 kg)	4.37 (1.98 kg)	4.86 (2.20 kg)	5.35 (2.42 kg)	5.83 (2.64 kg)	6.32 (2.86 kg)	6.80 (3.08 kg)	7.29 (3.30 kg)
20	1.62 (0.73 kg)	1.94 (0.88 kg)	2.27 (1.03 kg)	2.59 (1.17 kg)	2.92 (1.32 kg)	3.24 (1.47 kg)	3.56 (1.61 kg)	3.89 (1.76 kg)	4.21 (1.91 kg)	4.54 (2.05 kg)	4.86 (2.20 kg)

Nota: El valor de ácido cianúrico debe mantenerse entre 30 – 50 ppm

Utilización de IntelliChlor

Esta sección describe el proceso de puesta en marcha y las instrucciones de funcionamiento del generador electrónico de cloro IntelliChlor (IECG).

Antes de empezar a usar el IECG, la piscina en la que el IECG va a ser empleado debe llevar por lo menos un (1) mes terminada y llena de agua (para piscinas de yeso) y el nivel de sal del agua debe ser estable y mantenerse entre 3000 y 3500 ppm.

Período de puesta en marcha inicial

Durante los primeros treinta (30) días de funcionamiento de la célula, el ciclo de autolimpieza, está ajustado de fábrica a dos (2) horas. Una vez transcurridos los treinta (30) días, el IECG se autoajustará automáticamente a cuatro (4) horas para el ciclo de autolimpieza. Esta función realizará una limpieza más frecuente de las hojas del IECG durante la instalación inicial, para pasar a un ciclo normal de autolimpieza y asegurar una vida más larga de las hojas.

Utilización

No es necesario el uso de un temporizador de la bomba de piscina externo

⚠ PRECAUCIÓN - Antes de comenzar a utilizar el IntelliChlor, es necesario tener en cuenta las “Recomendaciones generales y precauciones generales” de la página 23, así como la “Preparación del agua de la piscina” en la página 19. Por tanto, no ajuste la producción de desinfectante por encima del 20% hasta que esté seguro de que la sal se ha disuelto en la piscina. Si se utiliza sin sal, la unidad se desconectará y se encenderá la luz AÑADIR SAL en el display. No se producirá cloro hasta que se haya añadido sal a la piscina.

El IECG está diseñado para suministrar una cantidad de cloro suficiente para desinfectar diariamente el agua de la piscina. Si la bomba de la piscina está continuamente funcionando y el IECG funciona las 24 horas del día al 100%, se generará más cloro del que se necesita en la mayoría de las piscinas (2-4 ppm, según las recomendaciones de la Asociación de Profesionales de Piscinas y Spa (APSP, por sus siglas en inglés). El IECG dispone de su propio temporizador interno que activa o desactiva los ciclos de la célula electrolítica dependiendo del porcentaje al que esté ajustada la producción de desinfectante. Por ejemplo, ajustada al 100%, la célula funciona durante todo el tiempo que la bomba de la piscina permanezca en funcionamiento. Si se ajusta al 80%, la célula puede descansar un 20% del tiempo en el que la bomba de la piscina está funcionando, prolongando la vida de la célula. Para un ajuste fino del IECG al tamaño de su piscina, incremente o reduzca la producción del desinfectante entre un 20% y un 100% del tiempo. Para más información, consulte “Botones de nivel de producción Mas y Menos” en la página 14.

Si utiliza un temporizador de bomba de piscina

La Asociación de Profesionales de Piscinas y Spa (APSP, por sus siglas en inglés) recomienda que toda el agua de una piscina residencial pase a través de un sistema de filtración al menos una vez cada doce (12) horas (denominado rotación del agua de piscina). Sin embargo, muchos factores tienen un efecto en los tiempos reales de funcionamiento de sistemas de bombeo y filtrado. El tamaño de la piscina, la fuente de agua, luz solar directa, cubierta/al aire libre, con/sin protección, sistema de filtración, tiempo frío o caluroso, cantidad de bañistas, lluvia, desperdicios orgánicos, algas, etc., son todos ellos factores que afectan en mayor o menor medida a los tiempos de funcionamiento de los sistemas de bombeo y filtrado. A causa de estas diferencias, es extremadamente difícil establecer un tiempo de funcionamiento inicial estándar (punto de partida) para la bomba de la piscina y el sistema de cloración. Inicialmente pruebe a ajustar el temporizador de la bomba de la piscina a doce (12) horas. Tardará unos pocos días en determinar el tiempo apropiado de funcionamiento de la bomba de la piscina. Si IntelliChlor está conectado al temporizador de una bomba de piscina, los resultados variarán considerablemente de una instalación de piscina a otra, por lo que este asunto debe ser consultado con su profesional de piscinas. Los puntos clave son:

- Poner en funcionamiento la bomba de la piscina al menos el tiempo mínimo necesario para una buena filtración y para la producción adecuada de cloro del IECG, siguiendo las recomendaciones de su profesional de piscinas.
- Aunque los temporizadores de la bomba de piscina pueden reducir el consumo de energía, la bomba de piscina debe estar en funcionamiento para que el generador electrónico de cloro IntelliChlor produzca cloro y debe seguir funcionando el tiempo suficiente para mantener los niveles adecuados de cloro (esto es, x 2,0 – 4,0 ppm de cloro disponible libre).

Nota: *excepción – Para funcionamiento en condiciones climáticas frías: La unidad se apaga a una temperatura de 11° C, ± 1,67° C e inferiores, y no producirá cloro. Esto prolonga la vida de la célula.*

Procedimiento de puesta en marcha (supercloración)

Se recomienda la supercloración antes de la puesta en marcha de la piscina. Empezar desde el principio con un agua de piscina limpia y adecuadamente clorada. El IECG aportará un nivel suficiente para las condiciones de salubridad en varias horas. Sin embargo, si la piscina tiene una alta demanda desde la primera puesta en marcha, el IECG no podrá producir suficiente cloro para alcanzar el punto de equilibrio de la cloración. De modo que es mejor superclorar en el momento de la puesta en funcionamiento recurriendo a una fuente externa. Entonces, espere hasta que los niveles de cloro retornen a entre 2,0 y 4,0 ppm antes de encender el IECG.

Producción de desinfectante y ajustes

- Encienda la bomba de la piscina o el temporizador de la bomba de la piscina. En el display de la sal parpadearán los dos LEDs (de abajo hacia arriba) durante dos (2) minutos, indicando que el nivel de sal no ha sido comprobado aún. Después de dos (2) minutos, la sal se comprobará y uno (1) de los LEDs del nivel de sal se visualizará. Si la salinidad está por debajo de 2600 ppm, en el display de la sal se iluminará el indicador rojo NIVEL BAJO DE SAL y la luz de la célula se apagará, indicando que no hay suficiente sal en la piscina para producir cloro.
- Ajuste la producción de desinfectante al 60% presionando los botones MÁS o MENOS (ver página 14).
- Después de 24 horas, utilice un método fiable de análisis para comprobar el nivel de cloro libre disponible en el agua de la piscina. El valor idóneo en que debe mantenerse está entre 2,0-4,0 ppm. Si el nivel de cloro libre del agua de la piscina es demasiado bajo, incremente la producción de cloro pulsando el botón MÁS. Si el nivel de cloro libre del agua de la piscina es demasiado alto, reduzca la producción de cloro pulsando el botón MENOS.
- Debido a la variación de la demanda de cloro libre del agua de la piscina, pueden necesitarse varios días para determinar el número de horas de funcionamiento diarias y el ajuste de porcentaje de “Producción de desinfectante” (véase la página 8) para su piscina. Continúe realizando los ajustes necesarios, dejando 24 horas entre los ajustes hasta que el nivel de cloro libre del agua de la piscina esté estabilizado en 2,0 – 4,0 ppm, de acuerdo con las recomendaciones de la Asociación de Profesionales de Piscinas y Spa (APSP, por sus siglas en inglés).

Funcionamiento en invierno

El generador electrónico de cloro IntelliChlor se desconecta y no producirá cloro a una temperatura de agua de 11° C, ±1,67° C e inferiores. Esta función alarga la vida útil del IECG. Véase “Acondicionamiento para el invierno”, en la página 26.

Recomendaciones generales

- Después de haber finalizado una nueva piscina, antes de instalar el generador electrónico de cloro IntelliChlor instale la célula “dummy” (ref. 520588) de IntelliChlor para eliminar restos de suciedad de los tubos durante treinta (30) días y deje suficiente tiempo para que el yeso (u otro material similar) de la piscina se endurezca correctamente.
- Lea y conserve este manual de instalación y guía de usuario en un lugar seguro.
- Incremente el nivel de producción de desinfectante en la medida en que sea necesario después de lluvias fuertes (piscinas al aire libre) y vuelva al nivel normal posteriormente.
- Incremente el nivel de producción de desinfectante cuando aumente la temperatura del aire y del agua.
- Incremente el nivel de producción de desinfectante cuando aumente el número de usuarios de la piscina.
- Utilice ácido cianúrico SÓLO en la medida en que sea necesario para estabilizar el cloro de la piscina en piscinas al aire libre. NOTA: NO UTILICE ÁCIDO CIANÚRICO EN PISCINAS CUBIERTAS.
- Tome una muestra de agua de la piscina una vez al mes para que un especialista en piscinas realice un análisis completo.

Precauciones generales

- No vierta fertilizante en su piscina. Los fertilizantes contienen nitratos que pueden provocar una alta demanda de cloro.
- Nunca utilice ácido seco para ajustar el pH en zonas geográficas áridas con excesiva evaporación y una disolución mínima de agua de piscina con agua limpia. Una acumulación de bioproductos puede dañar el IECG.
- No utilice ningún producto químico de equilibrado del agua de la piscina (incluyendo la sal) a no ser que el IECG esté desconectado.
- No deje que el nivel de ácido cianúrico baje por debajo de 30 ppm en piscinas al aire libre. NOTA: NO UTILICE ÁCIDO CIANÚRICO EN PISCINAS CUBIERTAS.

Sección 4

Mantenimiento por parte del usuario

Esta sección describe cómo mantener el generador electrónico de cloro IntelliChlor

Mantenimiento diario

No se necesita

Mantenimiento semanal

1. **Prueba de nivel de pH:** compruebe el nivel de pH del agua de su piscina con un método fiable de comprobación. Si es necesario, realice ajustes de acuerdo a las recomendaciones de su profesional de piscina. El rango ideal de pH que APSP recomienda es de 7,4 a 7,6 aunque entre 7,2 y 7,8 es un rango aceptable según las directivas de la APSP.

***Nota:** Nunca use ácido seco (bisulfato de sodio) para ajustar el pH en zonas geográficas áridas con evaporación excesiva y dilución mínima de agua de la piscina con agua dulce. Una acumulación de subproductos puede dañar el IECG.*

2. **Prueba de alcalinidad total:** compruebe la alcalinidad total del agua de la piscina con un método fiable de comprobación. Realice ajustes de acuerdo con las recomendaciones de su profesional en piscinas. El rango ideal de alcalinidad total recomendado por APSP es de 80 a 120 pm.

3. **Prueba de cloro:** compruebe el nivel de cloro libre del agua de piscina con un método fiable de comprobación. Mantenga el rango ideal ajustando el parámetro de producción de desinfectante del generador electrónico de cloro IntelliChlor. Véase “Botones de nivel de producción Más y Menos” en la página 14.

- El cloro libre definido es 2,0-4,0 ppm, según recomienda APSP.

***Nota:** Más de 4,0 ppm pueden provocar una excesiva corrosión de componentes de metal y pueden causar daños al equipo de piscina asociado.*

***Nota:** Se recomienda que los valores de cloro libre se tomen de muestras de agua de piscina tomadas en dos (2) lugares, una en el conducto de retorno de la piscina, otra lejos del conducto de retorno.. Compare los resultados. Se debe encontrar un mayor nivel de cloro libre en el conducto de retorno de la piscina. El mayor nivel de cloro libre en el conducto de retorno de la piscina indica que el generador electrónico de cloro IntelliChlor está produciendo cloro.*

Mantenimiento mensual

Para garantizar que se mantiene el equilibrio químico correcto en su piscina es importante realizar las siguientes pruebas de sal y agua de piscina cada mes utilizando un método de comprobación fiable.

1. **Prueba de nivel de sal:** compruebe las luces de visualización de sal en la unidad y compruebe que la luz verde “NIVEL CORRECTO” está encendida y no parpadea.
 - Si está encendida la luz del NIVEL BAJO de sal, no se está produciendo cloro. Añada sal al agua de la piscina (véanse las tablas que comienzan en la página 19).
 - Si el nivel de sal no aumenta después de 24 horas, véase “Detección y solución de problemas,” página 33.
2. **Muestra de agua de piscina:** tome una muestra del agua de piscina para que el centro especializado de su zona la analice.

Mantenimiento mensual (continuación)

3. **Ácido cianúrico:** compruebe el agua de piscina y el nivel de ácido cianúrico utilizando un método fiable de comprobación. Cuando se utiliza el generador electrónico de cloro IntelliChlor, el nivel ideal de ácido cianúrico es de 30-50 ppm.
4. **Dureza del calcio:** compruebe el nivel de dureza del calcio del agua de la piscina utilizando un método fiable de comprobación. Si es necesario, realice ajustes de acuerdo a las recomendaciones de su profesional en piscinas. El rango ideal de calcio recomendado por APSP es de 200 a 400 ppm para piscinas.
5. **Prueba de metales:** se recomienda que extraer muestras e inspeccionar periódicamente el agua de la piscina para detectar la presencia de metales tales como cobre, hierro y manganeso. Estos metales pueden dañar el generador electrónico de cloro IntelliChlor y otro equipamiento de piscina relacionado, y no deberían estar presentes en el agua de piscina. Si están presentes estos metales, contacte con el profesional en piscinas de su confianza.
6. **TDS (nivel total de sólidos disueltos):** compruebe el nivel de TDS del agua de la piscina utilizando un kit de prueba o haciendo que un profesional examine una muestra de agua. Si es necesario, realice ajustes de acuerdo a las recomendaciones de su profesional en piscinas. Para piscinas de agua salina se recomienda el estándar de la APSP de 3000 mínimo hasta 5700 – 6000 máximo ppm (lo cual incluye la sal).

Contador de horas de utilización IECG

El IECG dispone de una célula integrada de contador de "horas de utilización" que informa sobre la cantidad de horas que IntelliChlor ha estado en funcionamiento. El IECG ha sido concebido para funcionar durante aproximadamente 10,000 horas hasta que se necesite sustituirlo, o un uso de alrededor de una media de cinco (5) años para IC20, IC40 e IC60. Aproximadamente 8000 horas o alrededor de cinco (5) años para el IC15.

Para acceder al modo de estado del sistema:

1. Presione y mantenga pulsado el botón **MÁS** durante tres (3) segundos hasta que las luces se desplacen en la unidad.
2. Uno (1) de los cinco (5) indicadores LED de producción de desinfectante (20%, 40%, 60%, 80% y 100%) se encenderá, indicando las horas de utilización. Los LEDs de producción indican lo siguiente:
 - 2000 horas (LED 20% encendido) • 4000 horas (LED 40% encendido)
 - 6000 horas (LED 60% encendido) • 8000 horas (LED 80% encendido)
 - 10.000 horas (LED 100% encendido)

Limpieza de las hojas de la célula IECG

Nota: Antes de lavar el ácido, eliminar la acumulación de calcio en la célula: Utilice una manguera de jardín en el jet set y el spray directamente en ambos extremos de la célula. La mayor parte de esta acumulación de calcio tiene una consistencia fangosa y será sacado de la celda. Una vez que la mayoría del calcio se ha eliminado, continúe con el lavado con ácido, que ahora será más eficaz ya que la mayoría del calcio se ha eliminado.

1. **Limpieza automática:** El IECG tiene una función de limpieza automática de las hojas de la célula (inversión de célula) con la que se eliminan los depósitos de incrustaciones de las hojas del IECG. Nota: La limpieza automática no interrumpe la producción de cloro. La "incrustación" es un depósito costroso blanco que se forma en el agua de piscina excesivamente dura o fuera de equilibrio y en condiciones de formación de incrustaciones. Si las hojas del IECG presentan demasiadas incrustaciones, tendrá que utilizar una limpieza mediante lavado ácido. Realice la "Limpieza mediante lavado ácido", paso 2.
2. **Limpieza mediante lavado ácido:** Si las hojas del IECG muestran una tendencia a acumular incrustaciones se recomienda extraer e inspeccionar el IECG cada dos (2) meses para comprobar la formación de incrustaciones y/o impurezas en las hojas del IECG. Zonas de agua dura puede requerir una limpieza más.

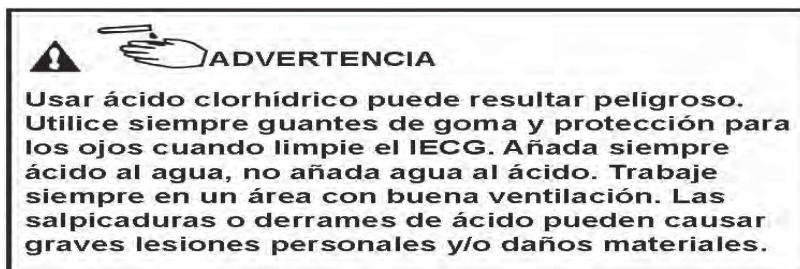
Algunos filtros dejan pasar impurezas a través del IECG, las cuales pueden depositarse entre las hojas del IECG. Una pequeña formación de incrustaciones es normal. Si al mirar a través del IECG no se observa que haya que una formación excesiva de incrustaciones entre las hojas o no se observan impurezas, el IECG debe limpiarse de la siguiente manera:

- a) Utilizar un chorro de agua a alta presión procedente de una manguera de jardín. Si no es posible limpiar adecuadamente las hojas de esta forma, será necesaria una limpieza ácida.

Limpieza de las hojas de la célula IECG (continuación)

- b) Para la limpieza ácida de las hojas del IECG: desconecte la alimentación CA de la central de alimentación. Desconecte el cable de comunicación de la célula del generador electrónico de cloro IntelliChlor de la central de alimentación.
- c) Mezcle un (1) cuarto de galón de ácido clorhídrico con un (1) galón de agua corriente en un cubo de plástico.

NOTA: El kit de limpieza ácida de IntelliChlor (ref. 520670) dispone de una tapa para el IECG que permite verter la solución ácida disuelta en el IECG para sumergir las hojas que se desea limpiar.



- d) Enrosque la tapa con la arandela y la junta tórica o en el extremo roscado de la célula IntelliChlor (la tapa, la junta tórica y la arandela se suministran en el kit de lavado). Coloque el IECG verticalmente en un cubo de cinco (5) galones. Vierta la solución ácida (como se describe en el paso c) en el IECG justo hasta que las hojas de la célula queden cubiertas. Deje que la solución ácida burbujee y limpie las hojas. Nota: El ácido sólo debe estar contenido dentro del IECG cubriendo las hojas. Intente que no se derrame ácido en el exterior del IECG. Si se derrama ácido en el exterior del IECG, lávelo con agua. Se formará espuma debido a la disolución de incrustaciones (carbonato de calcio) de las hojas. Si no comienza la formación de espuma, no es necesario limpiar las hojas (**DETENGA EL PROCESO DE LIMPIEZA – continúe en el paso “e”**). De lo contrario, deje que las hojas permanezcan inmersas en la solución hasta que cese la formación de espuma. En cualquier caso, no deje ácido en el IECG durante más de treinta (30) minutos. Un lavado excesivo con ácido dañará las hojas.
- e) Extraiga el IECG del cubo y colóquelo en un cubo vacío de (5) galones. Enjuague a fondo el interior y el exterior del IECG con agua corriente limpia y realice una inspección. Si aún se pueden apreciar depósitos repita el proceso de limpieza ácida.
- f) Vuelva a enjuagar el IECG con agua corriente limpia y realice una inspección. Una vez que esté limpio, vuelva a montar el IECG y reanude el funcionamiento normal.
- g) Si es necesario el proceso de limpieza ácida, se recomienda que un profesional en piscinas analice una muestra del agua de piscina para comprobar si hay una excesiva dureza de calcio (p. ej., el rango ideal se encuentra entre 200 y 400 ppm) y/o un equilibrio hídrico inapropiado.
- h) **Inspeccione el interior del IECG cada dos (2) meses (offen o más en zonas de aguas duras).** Si no se observan incrustaciones o depósitos de impurezas en el interior del IECG después de cuatro (4) meses, no es necesario seguir inspeccionando cada dos (2) meses. En cualquier caso, debido a los posibles cambios que puedan producirse en la química del agua de la piscina y en la efectividad del filtrado, se recomienda extraer la célula para inspeccionarla al menos dos veces al año.
- i) Vuelva a conectar el conector de del cable de comunicación del IECG en la central de alimentación, a continuación vuelva a conectar la alimentación CA hacia la central de alimentación de IntelliChlor.

Acondicionamiento para el invierno

Se necesita una producción de cloro muy baja en agua fría mientras los niveles de cloro libre se mantengan en 2,0 – 4,0 ppm. El generador electrónico de cloro IntelliChlor no producirá cloro por debajo de 11°C, ± 1,67 °C. Este bloqueo de baja temperatura aumenta la vida de la célula. Si no se han tomado medidas de prevención, la congelación del agua puede provocar serios daños en la célula. Prevenga daños en la célula por congelación haciendo que la bomba de la piscina funcione continuamente o acondicionando la piscina para el invierno purgando el agua de la bomba, filtro y todos los conductos de entrada y de retorno. Retire la célula, límpiela y guárdela.

Sección 5

Instalación

Esta sección describe cómo instalar el generador electrónico de cloro IntelliChlor en el sistema de tuberías de la piscina. Antes de la instalación, revise el contenido y las herramientas necesarias del kit del IntelliChlor.

Nota: Consulte las instrucciones de instalación de la central de alimentación en la “Guía de instalación de la central de alimentación de IntelliChlor” (ref. 520590).

Nota: No se suministra sal. Consulte los detalles sobre el tipo de sal a utilizar en “¿Qué tipo de sal usar?” en la página 17.

Contenido del kit IC20, IC40 c IC60

- Un generador electrónico de cloro IntelliChlor
- Dos (2) uniones de célula con dos (2) juntas tóricas
- Guía del usuario (este manual)

Contenido del kit IC15

- Un generador electrónico de cloro IntelliChlor (IC15)
- Dos (2) adaptadores de 1,25 pulgadas
- Una (1) fuente de alimentación
- Guía del usuario (este manual)

Herramientas necesarias

- Cinta métrica
- Destornillador de cabeza plana y Phillips
- Pinzas
- Sierra para metales
- Un limpiador base universal con homologación NSF ® para PVC/CPVC/ABS
- Un cemento universal con homologación NSF ® para PVC/CPVC/ABS

 ADVERTENCIA –		Al usar productos eléctricos, precauciones básicas deben ser seguidas, incluyendo los siguientes:
---	---	--

- **PELIGRO: RIESGO DE DESCARGA ELÉCTRICA QUE PUEDE PROVOCAR LESIONES GRAVES O LA MUERTE.** Antes de iniciar la instalación o el servicio de mantenimiento, asegúrese de que se haya desconectado / apagado en el disyuntor la alimentación al circuito que suministra la alimentación al sistema. Se recomienda, aunque no es obligatorio, que la central de alimentación de IntelliChlor esté conectada a un circuito protegido por un seccionador de circuito por fallo a tierra (CFCI, por sus siglas en inglés).
- Se requiere puesta a tierra (enlace a tierra). Se recomienda que la unidad sea instalada y puesta a tierra por un profesional de servicio cualificado.
- Realice la instalación de tal forma que sea posible acceder a los botones de la célula y la central de alimentación.
- Lea las Instrucciones de seguridad e Instrucciones importantes (páginas II y III). antes de realizar cualquier cableado eléctrico, asegúrese de que ha leído las siguientes Instrucciones de seguridad. El cableado sólo debería ser realizado por personal cualificado
- Instale la unidad IntelliChlor a una distancia mínima de 1 metro respecto de la salida del calentador.
- Acoplamiento de tubo: plan 80, presión máxima 5 bar (75 psi) a 21° C (70° F).
- nota: Utilice la unidad con un caudal mínimo de 94,13 lpm. Para aplicaciones de caudal alto, utilice un circuito de derivación (véase la página 11). Para detectar mejor el caudal.
- nota: Disponga como mínimo 30 -45 cm de tubo recto delante de la entrada de la célula.

Célula “Dummy” de IntelliChlor

Tras finalizar la construcción de una piscina nueva, para evitar que entren impurezas en el generador electrónico de cloro IntelliChlor, se recomienda instalar la célula “dummy” del generador electrónico de cloro IntelliChlor “dummy” (ref. 520588) antes de instalar el generador electrónico de cloro IntelliChlor. Después de que el sistema de la piscina haya enjuagado las impurezas de los tubos, extraiga la “célula dummy” e instale el generador electrónico de cloro IntelliChlor.

Selección del tamaño del modelo

Modelo IC15 de IntelliChlor

Producción de cloro: El equivalente a 272g (0.60 libras) de cloro puro para un período de 24 horas de funcionamiento de la bomba de la piscina

Piscinas residenciales: Una unidad por cada 56.800 litros (15,000 gal)

Modelo IC20 de IntelliChlor

Producción de cloro: El equivalente a 317g (0.70 libras) de cloro puro para un período de 24 horas de funcionamiento de la bomba de la piscina.

Piscinas residenciales: Una unidad por cada 75.000 litros (20,000 gal)

Modelo IC40 de IntelliChlor

Producción de cloro: El equivalente a 635g (1.40 libras) de cloro puro para un período de 24 horas de funcionamiento de la bomba de la piscina.

Piscinas residenciales: Una unidad por cada 150.000 litros (40,000 gal)

Modelo IC60 de IntelliChlor

Producción de cloro: El equivalente a 907g (2 libras) de cloro puro para un período de 24 horas de funcionamiento de la bomba de la piscina.

Piscinas residenciales: Una unidad por cada 227,124 litros (60,000 gal)

Instalación del conjunto de la célula de IntelliChlor

Instale el conjunto de la célula de IntelliChlor no más cerca de 91 cm de la salida de calentador, en el caso en que se utilice. Para más información, consulte los diagramas de tuberías de la página 4 y 5.

Nota: Para la mejor detección del caudal, disponga como mínimo 30-45 cm de tubo recto delante de la entrada de la célula.

Nota: Después de que se haya finalizado la construcción de un piscina nueva, para evitar la entrada de impurezas en el conjunto de la célula de IntelliChlor, se recomienda instalar la célula de paso (ref.52-0884) de IntelliChlor antes de instalar la célula de IntelliChlor. Después de que el sistema de piscina haya enjuagado las impurezas de los tubos, extraiga la célula de paso e instale la célula de IntelliChlor.

Acoplamiento

Nota: Acoplamiento de tubos: plan 80, presión máxima 5 bar (75 psi) a 21° C (70° F)



Para instalar la célula IntelliChlor:

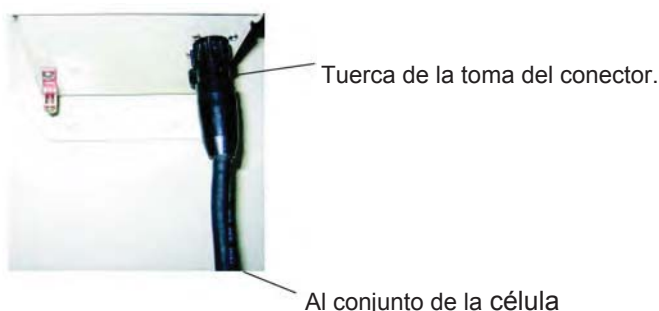
1. Utilizando adhesivo para PVC, monte los acoplamientos de PVC a la tubería. Deje que el adhesivo se seque.
2. Monte la célula de tal forma que sea posible acceder al panel de control. Instale la célula en los acoplamientos. Asegúrese de que las juntas tóricas están colocadas correctamente.
3. Conecte la bomba y realice una inspección visual para detectar la existencia de fugas en torno a los acoplamientos.

Conexión del cable de la fuente de alimentación a la célula IC20/IC40/IC60

Después de concluida la instalación de la célula, conecte el cable de alimentación a la central de alimentación:

⚠ ADVERTENCIA – Desconecte la alimentación principal del sistema hacia la central de alimentación antes de realizar cualquier conexión.

1. Asegúrese de que la alimentación CA está desconectada (OFF) antes de conectar el cable de alimentación a la central de alimentación.
2. Alinee las cuatro (4) clavijas del conector del cable de alimentación de la célula con la toma situada en la parte inferior de la central de alimentación e inserte el conector. Gire la tuerca redonda de la toma hasta que bloquee el conector en su sitio.



Conexión del cable de la fuente de alimentación a la célula IC15

⚠ ADVERTENCIA – Desconecte la alimentación principal del sistema hacia la central de alimentación antes de realizar cualquier conexión.

Después de concluida la instalación de la célula IC15, conecte el cable de alimentación de la célula a la fuente de alimentación:

- Alinee las cuatro (4) clavijas del conector del cable de alimentación de la célula con la toma situada en el lado de la fuente de alimentación e inserte el conector. Gire la tuerca redonda de la toma hasta que bloquee el conector en su sitio.



Fuente de alimentación de IC15

Conexión de IC20, IC40 o IC60 centro de poder para EasyTouch, IntelliTouch o el sistema de automatización SunTouch

Para operar el IntelliChlor con el sistema IntelliTouch o EasyTouch, conecte un cable de cuatro hilos desde el centro de alimentación del IntelliChlor al centro de carga IntelliTouch o EasyTouch. Se puede realizar una conexión alternativa empalmando en cualquier punto a lo largo de la conexión de cuatro hilos que conecta el panel de control interior del IntelliTouch o EasyTouch al centro de carga.

Nota: Para obtener más información sobre las instrucciones de funcionamiento del IntelliChlor utilizando el sistema IntelliTouch, consulte la "Guía de usuario del IntelliTouch" (P/N 521075), o para el EasyTouch, consulte la "Guía de usuario del EasyTouch" (P/N 521044) o para el SunTouch, consulte la "Guía de usuario del SunTouch" (P/N 520785).

PRECAUCIÓN - Conecte el Centro de energía de CA al relé de la bomba del filtro en el lado de carga para una máxima seguridad.

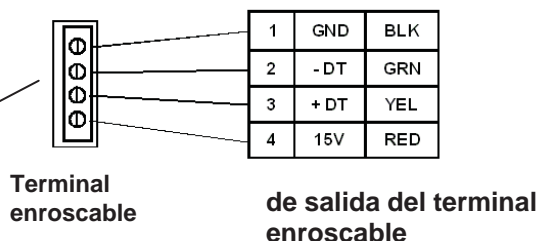
Para conectar el cable de cuatro hilos del centro de alimentación del IntelliChlor al centro de carga IntelliTouch o EasyTouch: SunTouch:

⚠ ADVERTENCIA – Desconecte la alimentación principal del sistema hacia la central de alimentación antes de realizar cualquier conexión.

1. Retire el tornillo que protege la cubierta del centro de alimentación. Retire la cubierta.
2. Lleve un cable con cuatro conductores aprobado UL (22 AWG) desde el centro de alimentación del IntelliChlor hasta el centro de carga. Preferiblemente, el esquema de colores de los cables es rojo, amarillo, verde, y negro.
3. Retire el tornillo que protege la cubierta del centro de alimentación. Retire la cubierta.
4. Retire uno de los dispositivos de expulsión de la parte inferior del centro de alimentación.
5. Enrute el cable con cuatro conductores a través del orificio inferior.
6. Pele los conductores del cable ¼ de pulgada. Introduzca los hilos en los terminales enroscables (proporcionados en el kit). Asegure los cables con los tornillos. Asegúrese de que los códigos de los cables coincidan; Rojo = +15, Amarillo = +DT, Verde = -DT, y GND = Negro.
7. Conecte el terminal enroscable en los cuatro pins situados en la placa del centro de alimentación.
8. Reinstale la cubierta y asegúrela con el tornillo.
9. Proceda hasta "Conectar el IntelliChlor a un sistema IntelliTouch", en la página 31 o "Conectar el IntelliChlor a un sistema EasyTouch", en la página 31.



Dispositivo de expulsión del conducto expulsión del conducto



Conexión del cable de comunicación (RS-485)

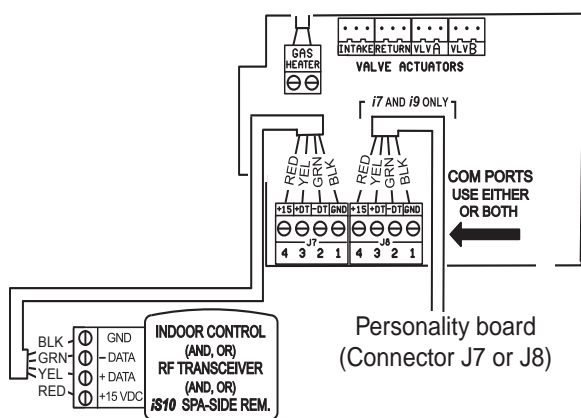
Conecte la comunicación RS-485 cable (4 hilos) a la IntelliTouch, EasyTouch y SunTouch bordo del circuito.

⚠ ADVERTENCIA – Desconecte la alimentación principal del sistema hacia la central de alimentación antes de realizar cualquier conexión.

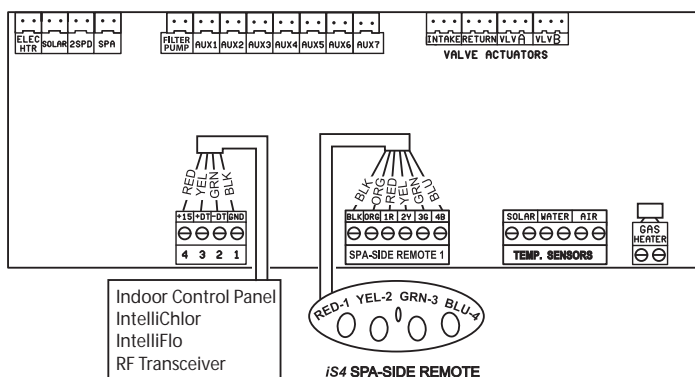
1. Abra los cierres de resorte de la puerta que cierra del centro de carga, y abra la puerta.
2. Afloje los dos tornillos de retención del panel de control de exterior.
3. Baje el panel de control de exterior sobre sus bisagras para acceder a la placa personal situada detrás del panel de control exterior.
4. Enrute el cable de cuatro conductores a través del orificio inferior del canal de conductores de baja tensión desde el centro de carga hasta la placa personal.
5. Pele los conductores del cable ¼ de pulgada. Introduzca los hilos en los terminales enroscables (proporcionados en el kit).

Asegure los cables con los tornillos. Asegúrese de que los códigos de los cables coincidan; Rojo = +15, **Amarillo = +DT, Verde = -DT, y GND = Negro.**

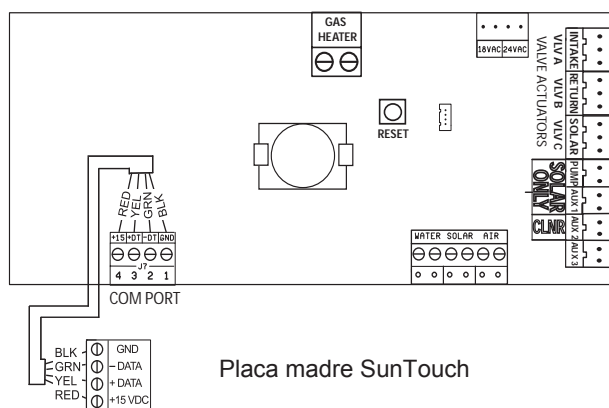
6. Introduzca el enchufe del cable en los conectores **IntelliTouch COM PORTS (J7 o J8), EasyTouch J20, en SunTouch (J11)** situados en el lado izquierdo de la placa personal.
7. Cuando finalice la conexión, cierre el panel de control hasta su posición original y asegúrelo con los dos tornillos de retención.
8. Cierre la puerta delantera del centro de carga. Ajuste los dos cierres con resorte.
9. Restaure la alimentación AC al sistema.



Placa madre IntelliTouch



Placa madre EasyTouch

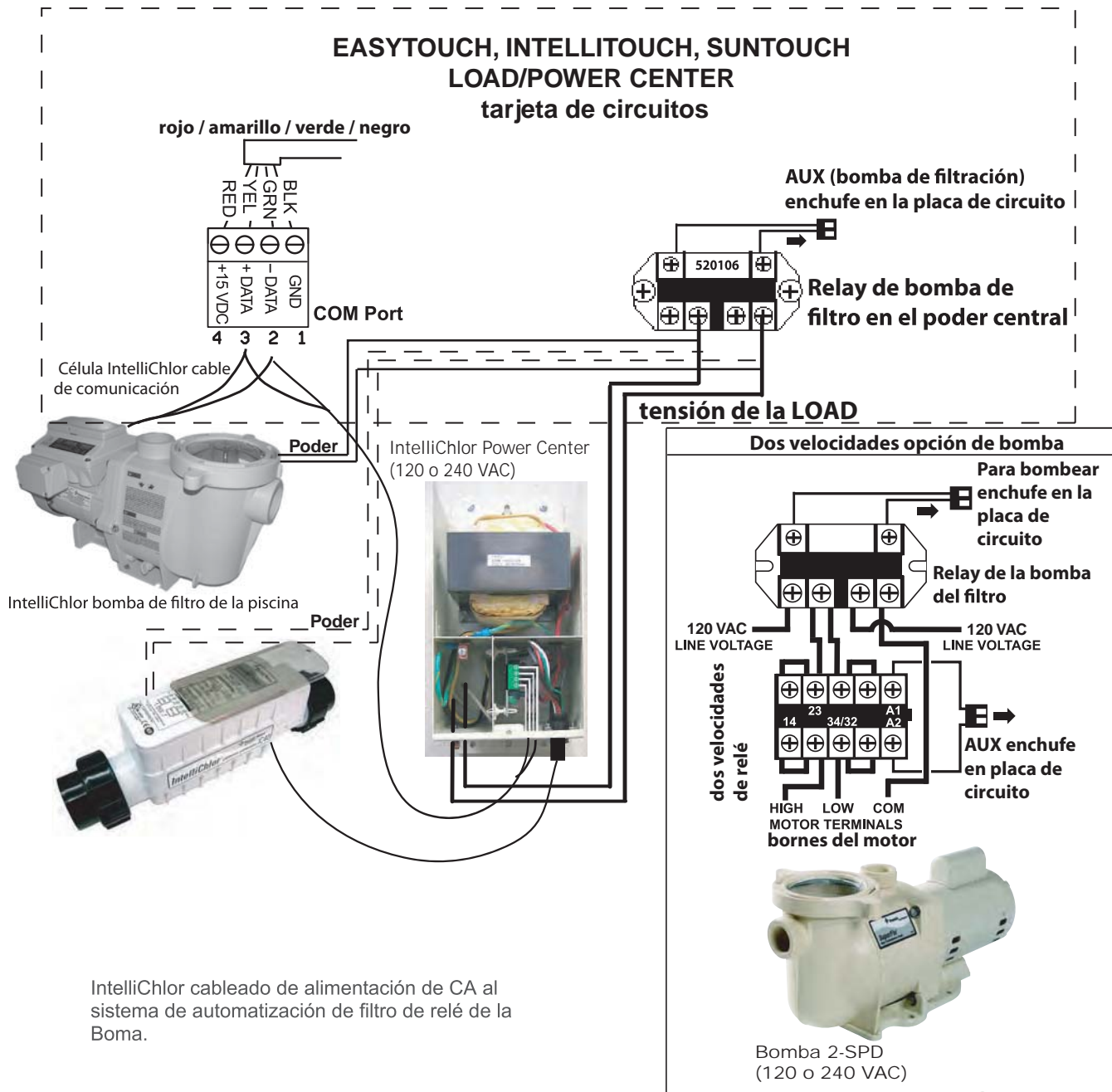


Placa madre SunTouch

Nota: EasyTouch / IntelliTouch de automatización de carga de Centro Para obtener más información acerca de la conexión IntelliChlor al centro de carga EasyTouch / IntelliTouch con una función de SCG fuente de alimentación, consulte la EasyTouch® y IntelliTouch Piscina® y el Sistema de Control de Spa (con el IntelliChlor® Generador de sal de cloro) Centro de carga de la guía de instalación (P/N 521139).

Cableado de alimentación de CA de IntelliChlor (SCG) y la bomba IntelliFlo IntelliTouch, EasyTouch y SunTouch sistema de control de automatización.

IntelliChlor (SCG) Instrucciones de cableado AC: Cuando se utiliza la sal IntelliChlor generador de cloro y una bomba IntelliFlo (o 2-velocidad de la bomba) con Pentair Water Pool and Spa, IntelliTouch, EasyTouch o el sistema de automatización SunTouch de control, el IntelliChlor de alimentación de CA cables del centro debe estar conectado al lado de la bomba del regulador principal de la bomba filtro situado en el centro de carga / potencia. Esto asegura que la célula IntelliChlor produce cloro sólo cuando la bomba del filtro está encendido. Este método no requiere de un circuito de falla a tierra-tierra (GFCI) para proteger el circuito. Nota: Para los sistemas de automatización no usar un reloj de tiempo, consulte la página 35-36 para obtener información sobre el cableado.



Sección 6

Detección y solución de problemas

Utilice la siguiente información sobre detección y solución de problemas para resolver posibles problemas en el generador electrónico de cloro IntelliChlor

Nota: Desconecte la alimentación de la unidad antes de iniciar el mantenimiento o la reparación. Retire siempre la alimentación CA de la central de alimentación cuando conecte o desconecte la célula IntelliChlor de la central de alimentación.

Tabla 1: Detección y solución de problemas

Problema	Posible causa	Acción correctiva
Nivel bajo de cloro o no hay cloro.	Nivel bajo de estabilizador (ácido cianúrico) en el agua de la piscina (sólo piscinas al aire libre).	Añada ácido cianúrico en piscinas al aire libre sólo para mantener 30 - 50 PPM de acuerdo con las recomendaciones de profesionales de piscinas. Véase la tabla correspondiente al estabilizador, tabla 2, página 20.
	Horas de funcionamiento insuficientes del IECG.	Incremente el tiempo de funcionamiento diario del IECG. Véase la página 21.
	Porcentaje de PRODUCCIÓN DE DESINFECTANTE ajustado demasiado bajo o desconectado en 0%.	Incremente la PRODUCCIÓN DE DESINFECTANTE pulsando el botón MÁS. Véase la página 14.
	Aumentos recientes en la temperatura del agua sin incremento de la producción de desinfectante del IECG.	Incremente la PRODUCCIÓN DE DESINFECTANTE pulsando el botón MÁS. Véase la página 14.
	Pérdidas temporales de cloro debido a carga orgánica muy elevada, lluvia, hojas, fertilizante o gran cantidad de bañistas, una fiesta reciente o a que animales domésticos usan la piscina.	Ajuste el modo "Boost" (refuerzo) y deje que funcione 24 horas. Vuelva a comprobar si el cloro sigue siendo demasiado bajo, supercloración utilizando una fuente exterior. (Lleve una muestra de agua de la piscina al profesional de piscinas).
	Bajo (menos de 2600 ppm) nivel de sal en el agua de la piscina.	Observe las luces de visualización del nivel de sal. Consulte "LEDs de estado del nivel de sal," página 13.
	Alto nivel de nitrato y fosfato. Póngase en contacto con un profesional de piscinas.	Póngase en contacto con un profesional de piscinas.
	Presencia de metales en el agua de la piscina.	Póngase en contacto con un profesional de piscinas.
	Agua de piscina nueva o sin tratamiento de choque correcto después de la puesta en marcha.	Superclorar la piscina. Véase "Procedimiento de puesta en marcha (supercloración)", página 22.
	Célula obstruida o sucia.	Extraiga la célula para inspeccionarla. Límpiela si es necesario. (Véase la página 25).

Tabla 1: Detección y solución de problemas (continuación)

Problema	Posible causa	Acción correctiva
La luz roja significa "LOW SALT" está encendida	El agua de la piscina necesita sal. No se está produciendo cloro.	Añada sal tal como se describe en las páginas 20.
La luz roja de "LOW SALT" y la luz verde están parpadeando	Nivel de sal en la piscina es baja y es posible que la inspección	Comprobar el nivel de sal. Si es necesario, agregue sal a BUEN nivel. Espere 24 horas para que se mezcle la sal en el agua. Si la luz sigue parpadeando células después de 24 horas, retire las células y limpia.
La luz roja está encendida (CHECK SALT)	No hay suficiente sal en la piscina. Fuertes lluvias. Fuga en la piscina.	Añada sal para obtener entre 3400 ppm. Véanse las páginas 20.
La luz verde parpadea BUENA sal	Demasiada sal en la piscina. Puede causar una excesiva corrosión en los equipos y superficies en y alrededor de la piscina.	Diluir agua de piscina vaciando un poco de agua, a intervalos de un pie cada vez, para volver a llenar a continuación con agua limpia.
La luz de agua fría (COLD WATER) está roja	El agua es inferior a 11° C (52° F).	La temperatura del agua debe estar por encima de 11° C (52° F) para producir cloro
La luz de la célula no se enciende	Producción de cloro ajustada en 00%. Caudal de agua insuficiente. La célula tiene impurezas. La bomba ha perdido capacidad de cebado. Nivel de sal por debajo de 2500 ppm.	Ajustar la PRODUCCIÓN DE CLORO al porcentaje deseado. Eliminar la obstrucción y/o limpiar la célula. Consultar "Limpieza de las hojas del IECG" para la limpieza/lavado ácido. Véase la página 25. Cebad la bomba en caso necesario. Consultar en el manual del usuario de la bomba las instrucciones para el cebado. Añadir otra ACCIÓN CORRECTIVA (página 20).
La luz de la célula parpadea en color VERDE	Comprobar el nivel de sal La célula tiene la acumulación de calcio y requiere una limpieza Revise la química del agua y el equilibrio. Contenido de metal debe ser de 0 ppm.	Añadir sal si es necesario para mantener el mínimo de 3.400 ppm Consulte la página 24s para limpieza con ácido Eliminar los metales del agua utilizando una solución química.
La luz de caudal se ilumina en rojo	La bomba no consigue generar el caudal de agua suficiente.	Compruebe que el funcionamiento de la bomba es correcto, por ejemplo, pérdida de la capacidad de cebado de la bomba o cestas de rejilla atascadas.
	Válvulas cerradas.	Comprobar y corregir todas las alineaciones de válvulas.
	Filtro sucio.	Siga los procedimientos del limpiado de filtros.
	Obstrucción en el IECG.	Extraer el IECG para inspección. Siga los procedimientos de limpieza. Ver página 14.
Célula IntelliChlor no tiene el poder	El fusible de la central de alimentación está abierto.	Cambie el fusible de CA situado en la parte inferior de la central de alimentación.
	Los cables del transformador no están conectados correctamente en la central de alimentación. (Asegúrese de que el reloj de tiempo está proporcionando 110 VAC o 220 VAC a centro de poder cuando está activo.)	Comprobar que los cables están conectados a la fuente de CA consultando la etiqueta con el diagrama de cableado situada en el interior de la cubierta de la central de alimentación. Comprobar que el reloj temporizador está suministrando CA a la central de alimentación cuando está activa.

Especificaciones del sistema– Cableado 110 VCA y 230 VCA

Protección del circuito: Dispositivo de 2 polos y 20 A en el panel eléctrico.

Modelos IntelliChlor IC20, IC40 y IC60

Entrada: 95-130 VCA, 50/60 Hz, 220 vatios (2 A) ó 220-240 VCA, 50/60 Hz, 220 vatios (1 A).

Salida: 22-39 VCC a 7,5 A máximo desde la central de alimentación.

Caudal de agua: 5 m³ por hora mínimo. 24 m³ por hora máximo. Presión máxima: 5 bares

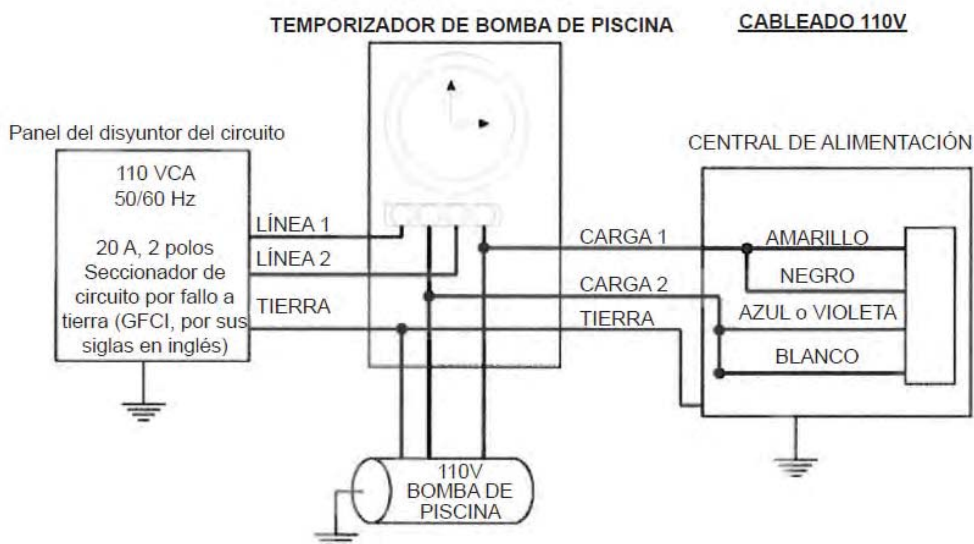
Protección del circuito: Dispositivo de dos polos y 20 A en el panel eléctrico.

IntelliChlor (SCG) Instrucciones de cableado AC: Cuando se utiliza la sal IntelliChlor generador de cloro y una bomba IntelliFlo (o 2-velocidad de la bomba) con Pentair Water Pool and Spa, IntelliTouch, EasyTouch o el sistema de automatización SunTouch de control, el IntelliChlor de alimentación de CA cables del centro debe estar conectado al lado de la bomba del regulador principal de la bomba filtro situado en el centro de carga / potencia.

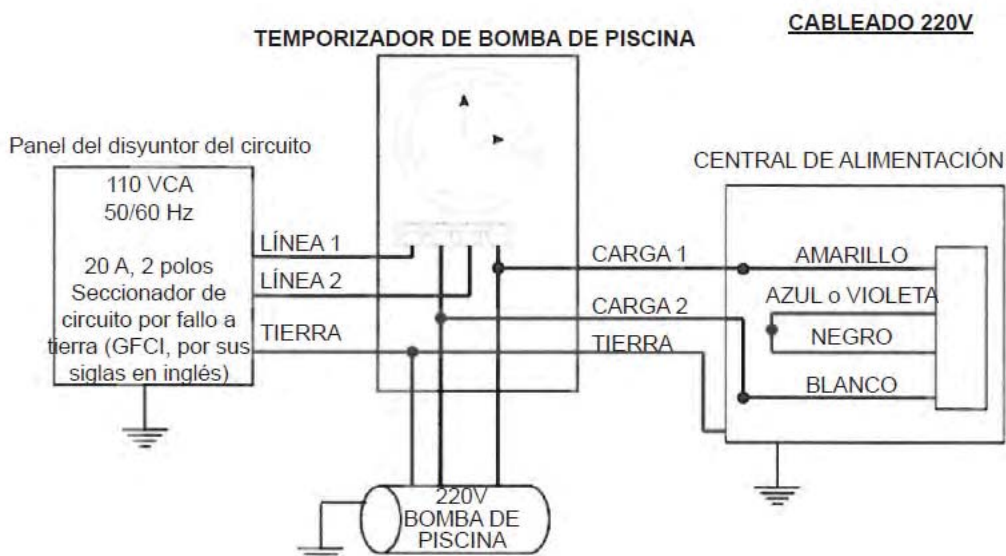
Esto asegura que la célula IntelliChlor produce cloro sólo cuando la bomba del filtro está encendido.

Este método no requiere de un circuito de falla a tierra-tierra (GFCI) para proteger el circuito. Nota: Para los sistemas de automatización no usar un reloj de tiempo, consulte la página 35-36 para obtener información sobre el cableado.

IMPORTANTE: Cuando utilice IntelliChlor con un sistema IntelliTouch, se recomienda para conectar el centro de poder hacia el lado de la bomba del regulador localizado en el Centro de Carga IntelliTouch. Este método no requiere de un circuito de falla a tierra-tierra (GFCI) para proteger el circuito.



Cableado Básico del Sistema de 115 VCA



Cableado Básico del Sistema de 220 VCA

Modelo IntelliChlor IC15

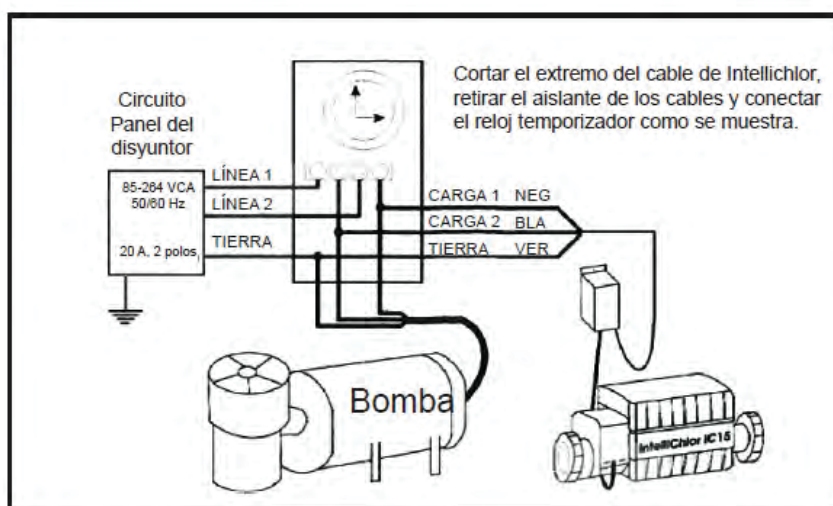
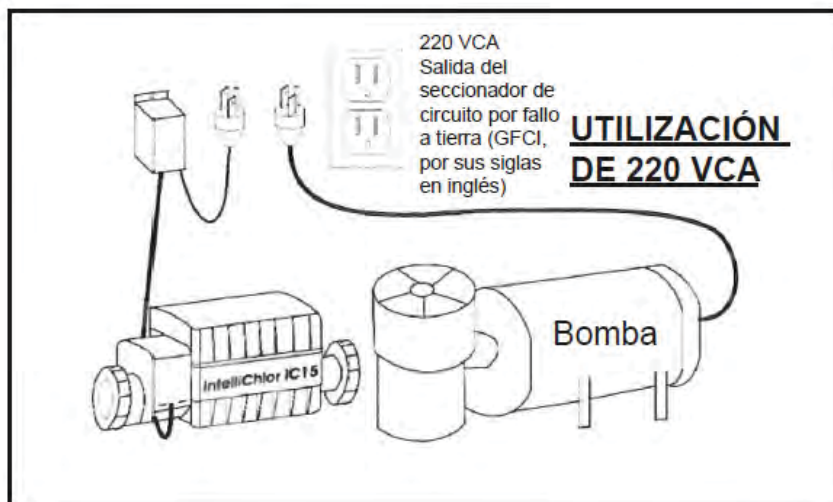
Entrada: 85-220 VCA, 50/60 Hz, 65 vatios

Salida: 24 VCA (4 A) a las hojas internas de la célula.

Cloro: 0,60 lb / 24 horas (272 g / 24 horas)

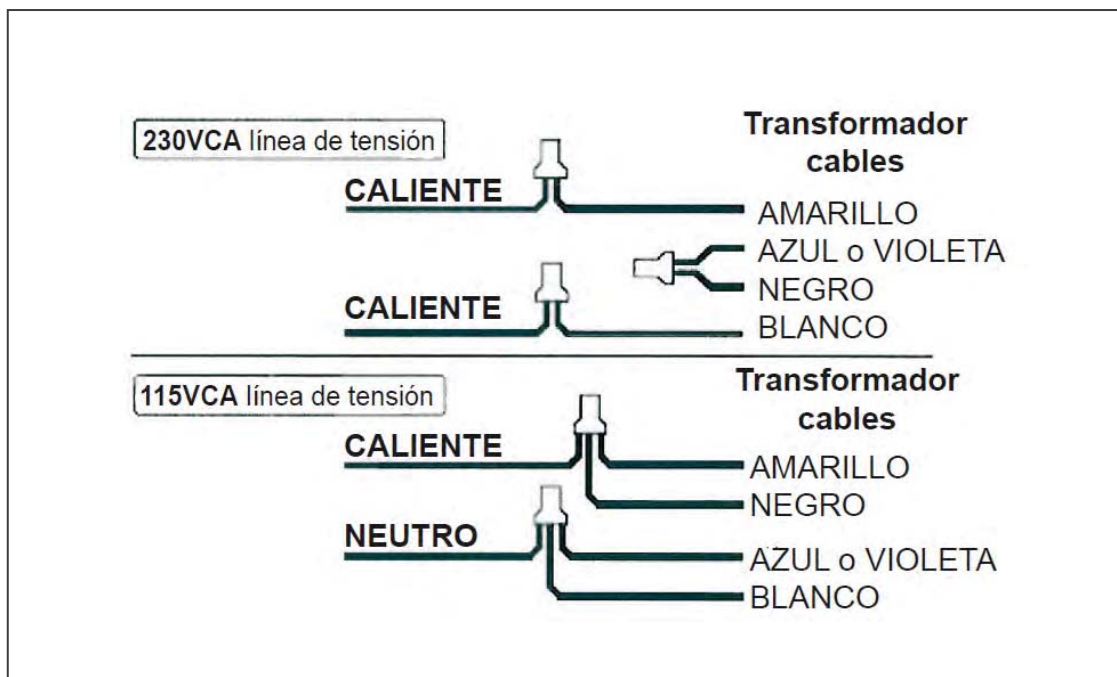
Caudal de agua: 4 m³ / hora mínimo. 25 m³ / hora máximo (25 gallons per minute).

Presión máxima: 75 psi



Cableado básico del sistema 220 VCA

Transformador Cables



Notas

Notas

ADVERTENCIA. La sal es un material inherentemente corrosivos. Mientras que los niveles de sal necesaria para el correcto funcionamiento del generador de cloro IntelliChlor electrónico son relativamente bajos en comparación con el agua de mar y otras soluciones de sal, colocar cualquier cantidad de sal en la piscina aumenta la probabilidad de corrosión u otros deterioros de equipos para piscinas y cualquier superficie utilizados en los alrededores de su piscina. Piezas de metal (incluidos los grupos de shell) y ciertas superficies naturales y artificiales son particularmente susceptibles a la corrosión y el deterioro cuando se usa en y alrededor de piscinas de agua salada. Pentair Water Pool and Spa ("Pentair") no representa o no garantiza que el uso adecuado del generador de cloro IntelliChlor electrónico evitará corrosión u otros deterioros de los equipos de la piscina y todas las superficies utilizadas en y alrededor de su piscina. Consulte a un profesional con experiencia en piscina, que debería ser capaz de aconsejarle sobre las técnicas de selección de material adecuado de la instalación, para los materiales y el uso adecuado cuidado y mantenimiento de los materiales para su tipo de piscina y lugar específico con el fin de reducir al mínimo la corrosión y deterioro que es inherente en y alrededor de piscinas de agua salada.



1620 HAWKINS AVE., SANFORD, NC 27330 • (919) 566-8000
10951 WEST LOS ANGELES AVE., MOORPARK, CA 93021 • (805) 553-5000
© 2023 Pentair. Todos los derechos reservados. WWW.PENTAIR.COM



P/N 520589 REV. R 8/7/23