

ProStop-E Single Nozzle Body

Smart Spraying Precision. Now In Your Cab.

Agricultural sustainability and the reduction of crop protection misapplication can now be within reach. It can be as close as reaching the task controller in your cab. Leverage precision control solutions to help eliminate pesticide drift and application overspraying. Relax and enjoy the ride. A potential profitable yield and peace of mind are finally in sight.



FEATURES & BENEFITS

- ◆ Control individual nozzle actuation based on real time field maps from ISOBUS task controller
- ◆ Reduce misapplication and waste with instantaneous on/off control with 12 volt actuation
- ◆ Eliminate the need for centralized valve banks allowing precise control at the nozzle body
- ◆ Leverage two actuation mode options:
 - Simple, 3-wire, 12 volt on/off actuation
 - Operate as an individually addressed valve on a CAN bus/ISOBUS system when connected to a CanNode
- ◆ Take advantage of CanNode, which provides CAN bus interface for up to 32 valves

HYPRO PROSTOP-E SINGLE - INTEGRATED WITH TURRET

- ◆ Provides individual on/off nozzle control for increased precision application
- ◆ Helps ensure easy integration with boom structures due to compact design
- ◆ Leverage its robust quarter turn ball valve
- ◆ Operates as individual nozzle control with CanNode and CANbus communication protocol or as on/off three-wire valve
- ◆ Take advantage of a fast response time for nozzle on/off control
- ◆ Link with ISOBUS system for easy retrofit

“The overlap savings and just the time savings are astronomical. I can go in there and cut straight lines and be out of there in 20 minutes.”

HYPRO PROSTOP-E SINGLE INTEGRATED WITH TURRET

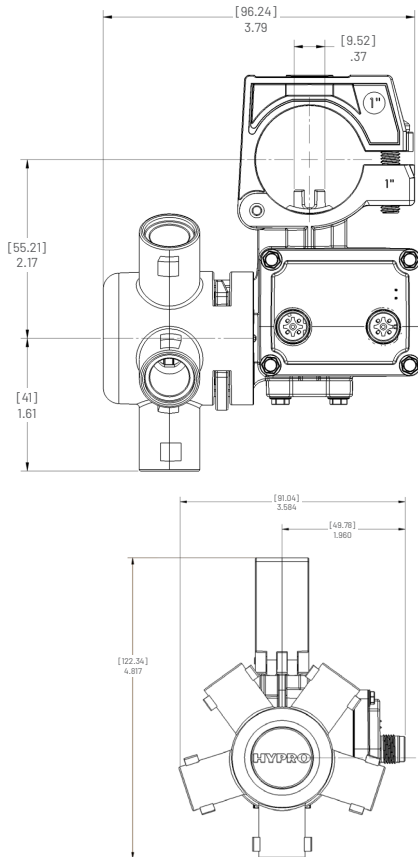
Material	Object Description	Boom Diameter/Clamp Size	Turret Type
4211N-3503VPSS	Integrated Nozzle Body 5-way 3/4"	3/4"	5-way
4211N-3504VPSS	Integrated Nozzle Body 5-way 1"	1"	5-way
4211N-3506VPSS	Integrated Nozzle Body 5-way 22mm	22mm	5-way
4211N-3507VPSS	Integrated Nozzle Body 5-way 20mm	20mm	5-way
4211N-3508VPSS	Integrated Nozzle Body 5-way 25mm	25mm	5-way
4211N-3509VPSS	Integrated Nozzle Body 5-way 28mm	28mm	5-way

PERFORMANCE

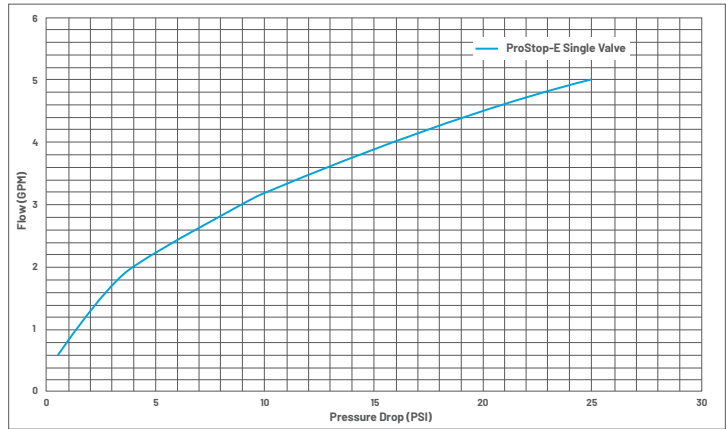
- ◆ Max opening pressure: 10 Bar (150 PSI)
- ◆ Burst pressure: 20 Bar (290 PSI)
- ◆ Reaction Time (Close to open):
 - 250 milliseconds @ 550 mA
 - Continuous (running state) 50 mA
- ◆ Voltage range: 9 to 16 VDC

PHYSICAL PROPERTIES

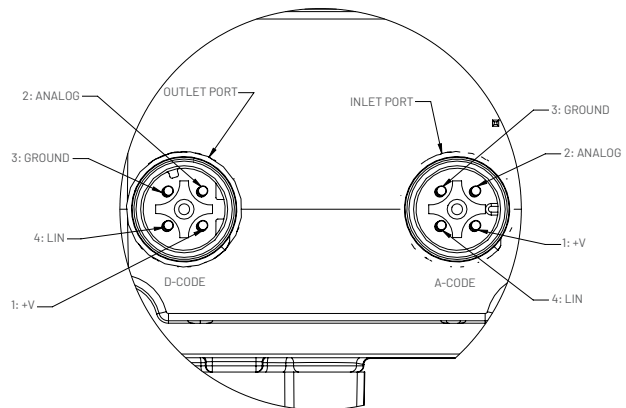
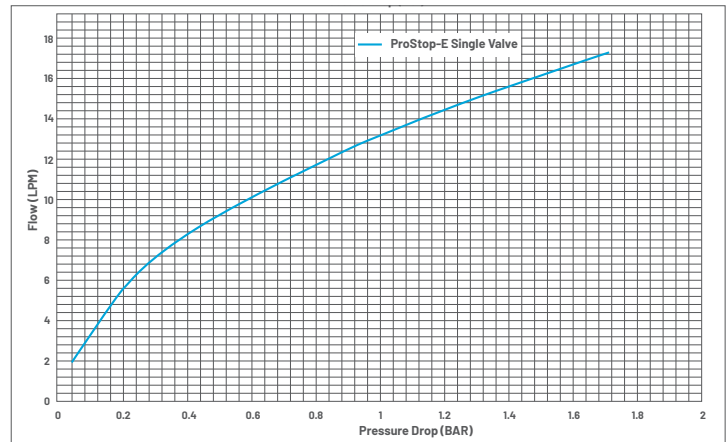
- ◆ Dimensions: 59.8mm x 46.4mm (2.35 in x 1.83 in x 2.69 in)
- ◆ Materials: FKM, Nylon, Viton, Stainless Steel, Acetal
- ◆ Electrical connection: M12
- ◆ Weight: 227g (0.5 lbs) on 5-way nozzle body



HYPRO PROSTOP-E SINGLE NOZZLE BODY PERFORMANCE PRESSURE DROP (PSI)



HYPRO PROSTOP-E SINGLE NOZZLE BODY PERFORMANCE PRESSURE DROP (BAR)





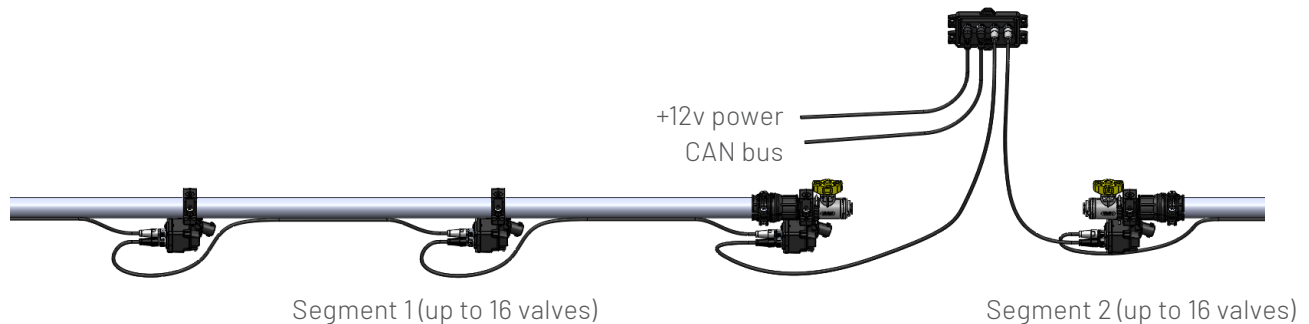
CAN BUS INTERFACE MODULE

Part Number	Number of Segments	Number of Valves
CN32-0001	2	32

CAN bus/ISOBUS node is required for CAN bus communication protocol. The node auto addresses each valve on the segment up to 16 valves per segment.

PERFORMANCE

- ◆ Provides connectivity from ISOBUS to 32 valves, organized as two segments of 16 valves each
- ◆ Each Segment has its own unique ISOBUS name instance and ISOBUS address
- ◆ Multiple CanNodes can reside on the ISOBUS to control any number of Hypro ProStop-E Valves
- ◆ Implements auto addressing function on power up initialization. Each segment of 16 valves is ordered from 1-x, x= the highest number of valves on the segment, max=16
- ◆ <10 ms message latency time between spray controller and any individual valve on a segment
- ◆ Provides up to 4A power distribution to each segment
- ◆ Small form factor provides easy mounting
- ◆ Utilizes standard M12 connectors and cordsets, built for IP67 rating
 - 12v Battery voltage input
 - CAN bus input
 - Segment 1 control output
 - Segment 2 control output
- ◆ Supports simple CAN bus message format from Spray Controller to directly activate any individual Hypro ProStop-E Valve (Contact factory for programming documentation)
- ◆ Embedded Bluetooth® radio for two way communications and valve control with mobile devices



SPRAY IT APP

- ◆ Operate Hypro ProStop-E from your mobile device
- ◆ Diagnose your Hypro ProStop-E from across the boom

SPRAY IT APP INSTRUCTIONS FOR CANNODE

- ◆ Select the CanNode in the Spray It App
- ◆ Display will show all valves in each segment
- ◆ Select Segment to switch between segment 1 and segment 2
- ◆ Slide or touch button to open or close an individual valve
- ◆ Set a name for each CanNode for easy identification

HYPRO PROSTOP-E CORDSETS

Part Number	Description	Connector Styles	Length
2520-0265	635mm threaded straight connectors	straight A code - straight D code	25"
2520-0266	1 meter threaded straight connectors	straight A code - straight D code	1 meter
2520-0267	2 meter threaded straight connectors	straight A code - straight D code	2 meter
2520-0268	3 meter threaded straight connectors	straight A code - straight D code	3 meter
2520-0245	7 meter threaded straight extension	straight male A code - straight female A code	7 meter
2520-0259	12.5 meter right angle connectors	right angle A code - right angle D code	12.5 meter
2300-0067	Termination Plug	N/A	N/A



2300-0067

For assistance or installation questions, email us at precisionag@pentair.com



375 Fifth Avenue NW | New Brighton, MN 55112, | United States | 651-766-6300 | F: 651-766-6600 | pentair.com/hypro

The Bluetooth® word mark and logos are registered trademarks owned by Bluetooth SIG, Inc. and any use of such marks by Pentair is under license.

All indicated Pentair trademarks and logos are property of Pentair. Third party registered and unregistered trademarks and logos are the property of their respective owners. Because we are continuously improving our products and services, Pentair reserves the right to change specifications without prior notice. Pentair is an equal opportunity employer.

HYP13411 (04-20-21) ©2021 Pentair. All Rights Reserved.