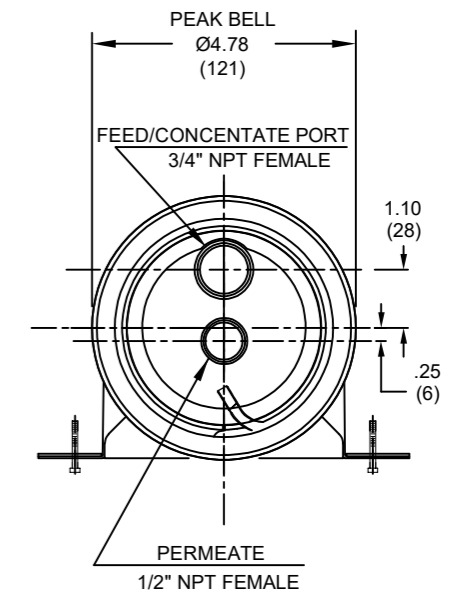
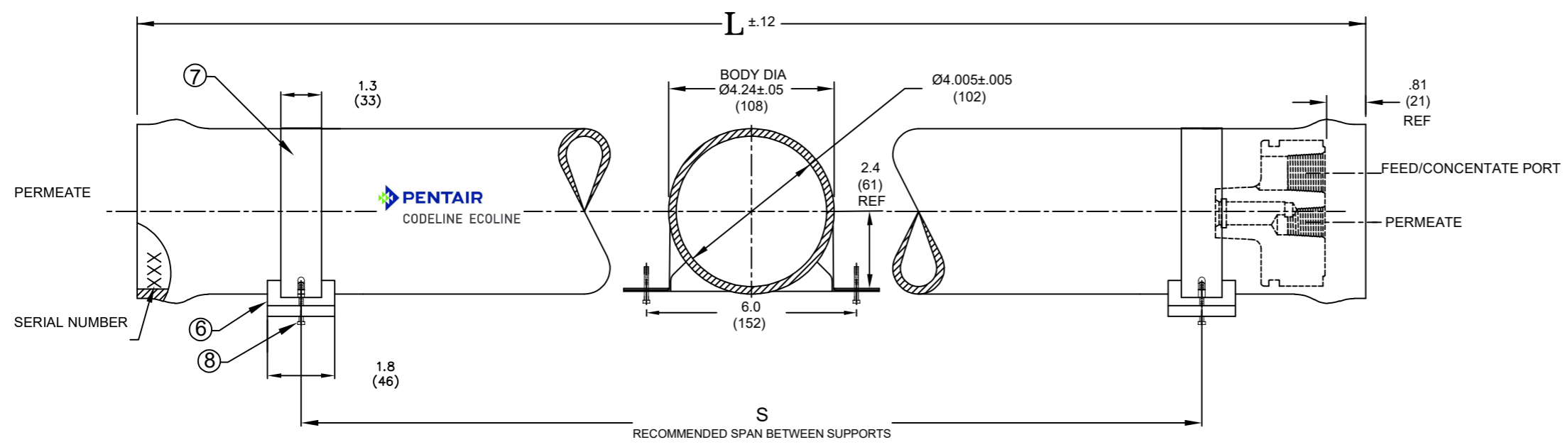
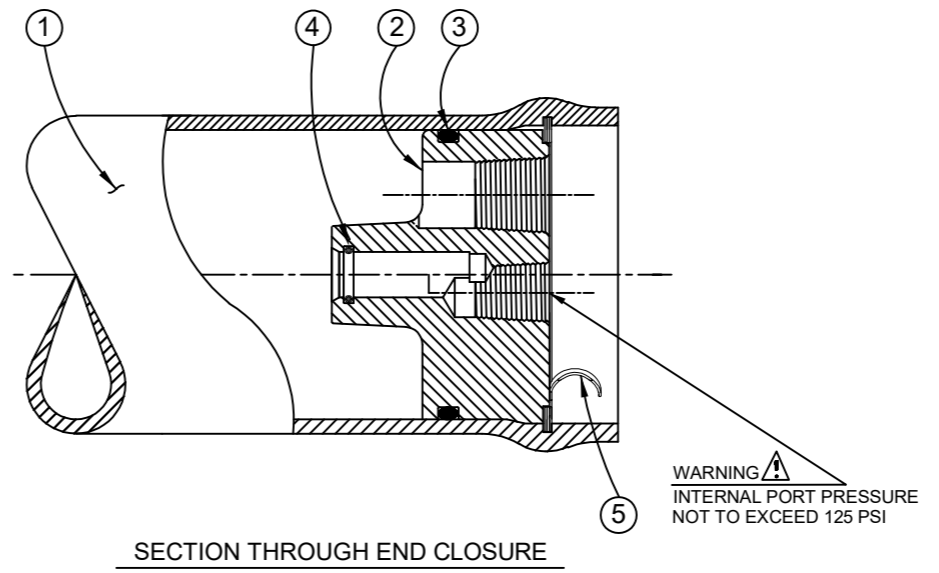


300  
PSI



CAUTION: INCORRECT MANIFOLDING WILL CAUSE SEVERE LOCAL STRESS AROUND PORT AND MAY RESULT IN LEAKS AND PREMATURE FAILURE; TAKE EVERY PRECAUTION LISTED ON PAGE 02. SEE INSTALLATION INSTRUCTIONS FOR FURTHER DETAILS

DWG REF	QTY	PART NUMBER	DESCRIPTION	MATERIAL
<b>SHELL</b>				
1	1	200016	SHELL	Filament Wound Epoxy/Glass composites - Head locking grooves integrally wound in place.
<b>HEAD</b>				
2	2	95929	End plug Sub-assembly	Engineering Thermoplastic.
3	2	196266	Head Seal	Ethylene Propylene - O - Ring
4	2	196271	PWT Seal	Ethylene Propylene - O - Ring
<b>HEAD INTERLOCK</b>				
5	2	46414	Spiral Ring	SA-479 SS 316
<b>VESSEL SUPPORT</b>				
6	2	45058	Saddle-Optional	Engineering Thermoplastic.
7	2	47459	Strap Assembly-Optional	304 Stainless Steel-PVC Cushion.
8	4	97821	Strap screw-Optional	5/16-18 UNC, 1.5" L, 18-8 Stainless Steel.



Dash Length	L IN(MM)	S IN(MM)	Approx Weight LB(KG)
-B1	18.00 (457)	Any	3 (1)
-C1	25.00 (635)	Any	4 (2)
-1	44.00 (1118)	25 (635)	9 (4)
-2	84.00 (2134)	56 (1422)	16 (7)
-3	124.00 (3150)	80 (2032)	23 (11)

NOTES:-  
 ◆ DIMENSION IN INCHES (MM APPROX.)  
 ◆ SHELL EXTERIOR COATED WITH WHITE RAL 9003, HIGH GLOSS POLYURETHANE PAINT.  
 ◆ NOT TO BE USED FOR CONSTRUCTION UNLESS CERTIFIED.  
 ◆ DIRECT CONNECT-NO SUPPLY OF ADAPTERS.

THIS DOCUMENT AND THE INFORMATION CONTAINED HEREIN, ARE THE CONFIDENTIAL AND PROPRIETARY INFORMATION OF PENTAIR WATER INDIA PVT. LTD. PENTAIR WATER INDIA PVT. LTD. IS THE SOLE OWNER OF THE INFORMATION AND PROCESSES DEFINED HEREIN. THIS DOCUMENT, AND THE INFORMATION CONTAINED, MAY NOT BE DISCLOSED, REPRODUCED, DUPLICATED, USED, SOLD, PUBLISHED, COMMUNICATED OR OTHERWISE DISTRIBUTED, IN WHOLE OR IN PART, FOR ANY PURPOSE WITHOUT THE EXPRESS WRITTEN CONSENT OF PENTAIR WATER INDIA PVT. LTD. THIS DOCUMENT AND ANY COPIES, IN ALL APPLICABLE FORMATS, SHALL BE RETURNED TO PENTAIR WATER INDIA PVT. LTD. UPON REQUEST.

ALL INDICATED PENTAIR TRADEMARKS AND LOGOS ARE PROPERTY OF PENTAIR. THIRD PARTY REGISTERED AND UNREGISTERED TRADEMARKS AND LOGOS ARE PROPERTY OF THEIR RESPECTIVE OWNERS BECAUSE WE ARE CONTINUOUSLY IMPROVING OUR PRODUCTS AND SERVICES, PENTAIR RESERVES THE RIGHT TO CHANGE SPECIFICATIONS WITHOUT PRIOR NOTICE. PENTAIR IS AN EQUAL OPPORTUNITY EMPLOYER.

© 2021 Pentair Water India Pvt. Ltd.

**PENTAIR**  
CODELINE ECOLINE  
VERNA, GOA  
INDIA

DRAWN BY: SM	DRAWING DESCRIPTION: MODEL - 40L30N MEMBRANE HOUSING	DRAWING NO.: 99373	REV.: L
DATE: 13AUG12	CUSTOMER NAME: -	VESSEL MODEL: 40L30N	
CHECKED BY: FF	PROJECT NAME: -	TOTAL QTY: -	
DATE: 13AUG12	CUSTOMER P.O.#: -	SIZE: A3	SCALE: NONE
APPROVED BY: SR	REV. DATE: 29MAY24	PAGE NO.: 01 OF 02	

**RATING:**

DESIGN PRESSURE/MAWP.....300 PSI  
(2.07 MPa)  
MAX. ALLOWABLE TEMP.....120°F  
(49°C)  
MIN. ALLOWABLE TEMP.....20°F  
(-7°C)  
FACTORY TEST PRESSURE.....330 PSIG  
(2.28 MPa)  
BURST PRESSURE.....1200 PSI  
(8.27 MPa)

**INTENDED USE:**

The Ecoline Model 40L30N Fiberglass RO/UF Pressure Vessel is designed for continuous, long term use as housing for reverse osmosis and ultrafiltration elements in typical industrial water treatment systems at pressures up to 300 psi. Any make of four-inch nominal diameter spiral-wound element with a ¾” dia male product water tube is easily accommodated.

The Ecoline Model 40L30N must be installed, operated and maintained in accordance with the listed precautions and good industrial practice to assure safe operation over a long service life.

The high performance reinforced plastic shell must be allowed to expand under pressure; undue restraint at support points or piping connections can cause leaks to develop in the shell. The end closures, incorporating close-fitting, interlocking metal components, must be kept dry and free of corrosion; deterioration can lead to catastrophic mechanical failure of the heads.

Pentair will assist the purchaser in determining the suitability of this standard vessel for their specific operating conditions. The final determination however, including evaluation of the standard material of construction for compatibility with the specific corrosive environment, shall be the responsibility of the purchaser. Alternate materials with enhanced corrosion resistance are available on special order.

Specifications are subject to change without notice.

**PRECAUTIONS:**

DO...read, understand and follow all instructions; failure to take every precaution will void warranty and may result in vessel failure  
DO...mount the shell on horizontal members at span “S” using complaint vessel supports furnished; tighten hold down straps just snug  
DO...provide flexibility in, and support for piping manifolds so that vessel can grow in length under pressure without undue restraint; provide additional flexible joints in large pipes leading to manifold header  
DO...provide overpressure protection for vessel set at not more than 105% of design pressure  
DO...inspect end closures regularly; replace components that have deteriorated and correct causes of corrosion

DO NOT...work on any component until first verifying that pressure is relieved from vessel  
DO NOT... make rigid piping connections to ports or clamp vessel in any way that resists growth of fiberglass shell under pressure; ΔDIA = 0.01 in. (0.25mm) and ΔL = 0.03 in. (0.8mm) for a length code –1 vessel  
DO NOT... hang piping manifolds from ports or use vessel in any way to support other components.  
DO NOT... operate vessel at pressures and temperatures in excess of its rating  
DO NOT... operate vessel without element installed.  
DO NOT... operate vessel with permeate pressure in excess of 125 psi at 120°F (0.86 MPa @ 49°C)  
DO NOT... overtighten the connection to the permeate port (hand-tighten plus one-quarter turn, check for leaks)  
DO NOT... tolerate leaks or allow end closures to be routinely wetted in any way  
DO NOT... pressurize vessel until double-checking to verify that the retaining ring is completely inside the groove  
DO NOT... operate outside the pH range 3-11.  
DO NOT...operate outside the pH range 2-12 for cleaning.  
DO NOT...exceed 43.5 hours in a year for cleaning with above mentioned pH range.

**ORDERING:**

Using the chart below, please select the features you require.

**VESSEL LENGTH CODE – please select**

MODEL 40L30N  -B1  -C1  -1  -2  -3

LENGTH CODE	ELEMENT CAPACITY
-B1	One 14” Direct Connect
-C1	One 21” Direct Connect
-1	One 40” Direct Connect
-2	Two 40” Direct Connect
-3	Three 40” Direct Connect

**MEMBRANE BRAND AND MODEL**

Please supply adapters for the following membrane brand and specific model  
Brand \_\_\_\_\_ Model \_\_\_\_\_

**CERTIFICATION REQUIRED**

CE Marked – MODULE-D1, CATEGORY-2 (Not applicable for –B1, -C1, -1 vessel)  
 Certified by Pentair

**EXTERIOR FINISH**

Standard – White high-gloss RAL 9003 polyurethane coating over sanded surface.  
 Optional – Grey high-gloss RAL 7011 polyurethane coating over sanded surface.

**FEED PORT CONFIGURATION**

Serial number	Opposite	
End	End	
<input type="checkbox"/>	<input type="checkbox"/>	Standard – ¾” NPT Female (Standard per drawing)
<input type="checkbox"/>	<input type="checkbox"/>	Optional – ¾” BSPT/JISPT Female
<input type="checkbox"/>	<input type="checkbox"/>	Optional – ½” NPT Female

**PERMEATE PORT CONFIGURATION**

Serial number	Opposite	
End	End	
<input type="checkbox"/>	<input type="checkbox"/>	Standard – ½” NPT Female (Standard per drawing)
<input type="checkbox"/>	<input type="checkbox"/>	Optional - ½” BSPT/JISPT Female

**END PLUG MATERIALS**

Standard – Noryl ¾” NPT Female FC port & ½” NPT Female Permpport connection (P/N 96288)  
 Optional - PVC ½” NPT Female FC port & ½” NPT Female Permpport connection (P/N 97592)

NOTE:- PVC end plug only with ½” NPT FC port.

For complete information on proper use of the vessel Please refer to 40L30N USER’S GUIDE - 95207

**CAUTION:**

EYE PROTECTION SHOULD BE WORN WHEN REMOVING OR INSTALLING RETAINING RINGS. KEEP FINGERS CLEAR FROM RETAINING RING WHILE INSTALLING LAST OF TWO TURNS. RING MAY SNAP INTO POSITION POSSIBLY PINCHING FINGERS.

**NOTE**

Spiral Retaining Ring Removal Tool (50303)  
Recommended to open and close vessel.

THIS DOCUMENT AND THE INFORMATION CONTAINED HEREIN, ARE THE CONFIDENTIAL AND PROPRIETARY INFORMATION OF PENTAIR WATER INDIA PVT. LTD. PENTAIR WATER INDIA PVT. LTD. IS THE SOLE OWNER OF THE INFORMATION AND PROCESSES DEFINED HEREIN. THIS DOCUMENT, AND THE INFORMATION CONTAINED, MAY NOT BE DISCLOSED, REPRODUCED, DUPLICATED, USED, SOLD, PUBLISHED, COMMUNICATED OR OTHERWISE DISTRIBUTED, IN WHOLE OR IN PART, FOR ANY PURPOSE WITHOUT THE EXPRESS WRITTEN CONSENT OF PENTAIR WATER INDIA PVT. LTD. THIS DOCUMENT AND ANY COPIES, IN ALL APPLICABLE FORMATS, SHALL BE RETURNED TO PENTAIR WATER INDIA PVT. LTD. UPON REQUEST.

ALL INDICATED PENTAIR TRADEMARKS AND LOGOS ARE PROPERTY OF PENTAIR. THIRD PARTY REGISTERED AND UNREGISTERED TRADEMARKS AND LOGOS ARE PROPERTY OF THEIR RESPECTIVE OWNERS BECAUSE WE ARE CONTINUOUSLY IMPROVING OUR PRODUCTS AND SERVICES, PENTAIR RESERVES THE RIGHT TO CHANGE SPECIFICATIONS WITHOUT PRIOR NOTICE. PENTAIR IS AN EQUAL OPPORTUNITY EMPLOYER.

© 2021 Pentair. All Rights Reserved.



VERNA, GOA  
INDIA

DRAWN BY:	SM	DRAWING DESCRIPTION:	DRAWING NO.:	REV.:
DATE:	13AUG12	MODEL - 40L30N MEMBRANE HOUSING	99373	L
CHECKED BY:	FF	CUSTOMER NAME:	VESSEL MODEL:	
DATE:	13AUG12	-	40L30N	
APPROVED BY:	SR	PROJECT NAME:	TOTAL QTY.:	
DATE:	13AUG12	-	-	
ECN NO.:	6801	CUSTOMER P.O.#:	SIZE:	SCALE:
REV. DATE:	29MAY24	-	A3	NONE
				PAGE NO.:
				02 OF 02