

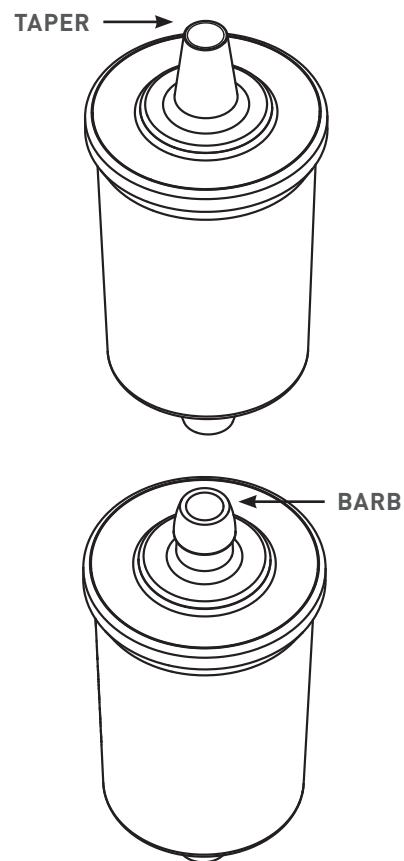
DPC20

PRE-BYPASS FILTER CAPSULE

5 MICRON PRE-BYPASS FILTER CAPSULE

SPECIFICATIONS

MATERIALS OF CONSTRUCTION	
Media	Meltblown polyester
Filter Housing	Medical grade acrylic-based polymer
PRODUCT DIMENSIONS	
Nominal Outer Diameter	2.3" (5.8 cm) round
Nominal Length	5" (12.7 cm)
INLET / OUTLET CONNECTIONS AVAILABLE	
DPC2011S500C	1/4" (6.4 mm) taper / 1/4" (6.4 mm) taper
DPC2012S500C	1/4" (6.4 mm) taper / 3/8" (9.5 mm) taper
DPC2022S500C	3/8" (9.5 mm) taper / 3/8" (9.5 mm) taper
DPC2023S500C	3/8" (9.5 mm) taper / 1/2" (12.7 mm) barb
DPC2033S500C	1/2" (12.7 mm) barb / 1/2" (12.7 mm) barb
PERFORMANCE CHARACTERISTICS	
Rated Flow	1.6 gpm (6 lpm) maximum
Retention Rating	>96% @ 5 µm or greater particle size in multi-pass use
PRODUCT CHARACTERISTICS	
Biocompatibility	USP Class VI approved materials
Usage	Single use only
Packaging	Bulk packaged, non-sterile
Sterilization	Suitable for Ethylene oxide sterilization



ENGINEERED FILTRATION

1350 HAMMOND RD., ST. PAUL, MN 55110, USA. +651.653.2000 MAIN, +651.653.2230 FAX, EFCUSTOMERSERVICE@PENTAIR.COM
[HTTP://ENGINEEREDFILTRATION.PENTAIR.COM](http://engineeredfiltration.pentair.com)

All Pentair trademarks and logos are owned by Pentair, Inc. or its affiliates. All other registered and unregistered trademarks and logos are the property of their respective owners. Because we are continuously improving our products and services, Pentair reserves the right to change specifications without prior notice. Pentair is an equal opportunity employer.

© 2017 Pentair, Inc. All Rights Reserved.

© Notice / TM Ownership Statement

TDPC2001_LTRE2017