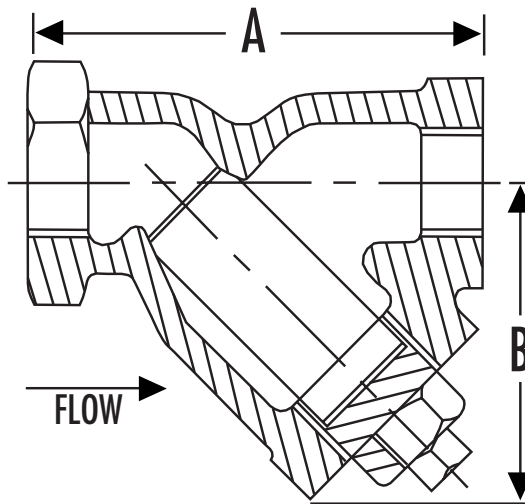


Y STRAINER



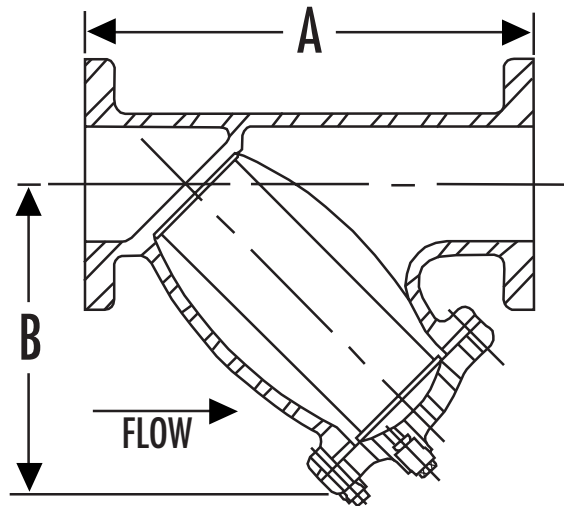
Model	Sizes NPT	A Inches (mm)	B Inches (mm)	Size of NPT Blow off	Total Screen Area In <sup>2</sup> (cm <sup>2</sup> )	Screen Open Area	Ship Wt. Lbs. (kg)
1020TS0050	1/2"	3.44 (87)	2.50 (64)	3/8"	5.4 (35)	20 mesh 52% open	1.50 (0.7)
1020TS0075	3/4"	4.00 (102)	2.75 (70)	1/2"	8.7 (56)	20 mesh 52% open	2.50 (1.1)
1020TS0100	1"	4.63 (118)	3.25 (83)	1/2"	11.9 (77)	20 mesh 52% open	4.50 (2.0)
1020TS0125	1 1/4"	5.38 (137)	4.00 (102)	3/4"	16.2 (105)	20 mesh 52% open	6.50 (2.9)
1020TS0150	1 1/2"	6.00 (152)	4.50 (114)	3/4"	23.2 (150)	20 mesh 52% open	8.75 (4.0)
1020TS0200	2"	7.50 (191)	5.38 (137)	1"	35 (226)	20 mesh 52% open	12.50 (5.7)
1020TS0250	2 1/2"	9.00 (229)	7.19 (183)	1 1/4"	54 (348)	.045 Dia. 36% open	24.00 (10.9)
1020TS0300	3"	10.00 (254)	7.88 (200)	1 1/4"	73 (471)	.045 Dia. 36% open	30.00 (13.6)

**NOTES:**

1. All dimensions in inches (mm).
2. Dimensions may vary ± .13 (3).
3. Maximum working temperature water, 150°F (65°C).
4. Maximum working pressure: Threaded 400 PSI.
5. Not for construction purposes unless certified.
6. Inlet & Outlet Threaded NPT or 125# ANSI flat face.

## AURORA ACCESSORIES

## Y STRAINER



Model	Sizes	A	B	Size of NPT Blow off	Total Screen Area In <sup>2</sup> (cm <sup>2</sup> )	Screen Open Area	Ship Wt. Lbs. (kg)
		Inches (mm)	Inches (mm)				
1020TFC0200	2"	9.88 (251)	6.19 (157)	1/2"	34.5 (223)	.045 Dia. 36% open	22 (10)
1020TFC0250	2 1/2"	11.25 (286)	7.63 (194)	1"	55 (355)	.045 Dia. 36% open	36 (17)
1020TFC0300	3"	12.50 (318)	8.25 (210)	1"	73 (471)	.045 Dia. 36% open	44 (20)
1020TFC0400	4"	14.88 (378)	10.06 (256)	1 1/4"	117 (755)	.125 Dia. 40% open	68 (31)
1020TFC0500	5"	17.94 (456)	12.50 (318)	1 1/4"	188 (1213)	.125 Dia. 40% open	117 (53)
1020TFC0600	6"	20.38 (518)	14.31 (363)	1 1/2"	259 (1671)	.125 Dia. 40% open	147 (67)
1020TFC0800	8"	24.00 (610)	17.38 (441)	1 1/2"	414 (2671)	.125 Dia. 40% open	246 (112)
1020TFC1000	10"	29.50 (749)	20.88 (530)	2"	620 (4000)	.125 Dia. 40% open	425 (193)
1020TFC1200	12"	33.75 (857)	23.56 (598)	2"	844 (5445)	.125 Dia. 40% open	568 (258)
1020TFC1400	14"	37.25 (946)	29.00 (737)	2"	1179 (7607)	.125 Dia. 40% open	790 (358)
1020TFC1600	16"	42.38 (1076)	33.00 (838)	2"	1460 (9420)	.125 Dia. 40% open	1035 (469)

**NOTES:**

1. All dimensions in inches (mm).
2. Dimensions may vary  $\pm .13$  (3).
3. Maximum working temperature water, 150°F (65°C).
4. Maximum working pressure: Flanged 175 PSI (14" and 16" 150 PSI).
5. Not for construction purposes unless certified.
6. Inlet & Outlet Threaded NPT or 125# ANSI flat face.