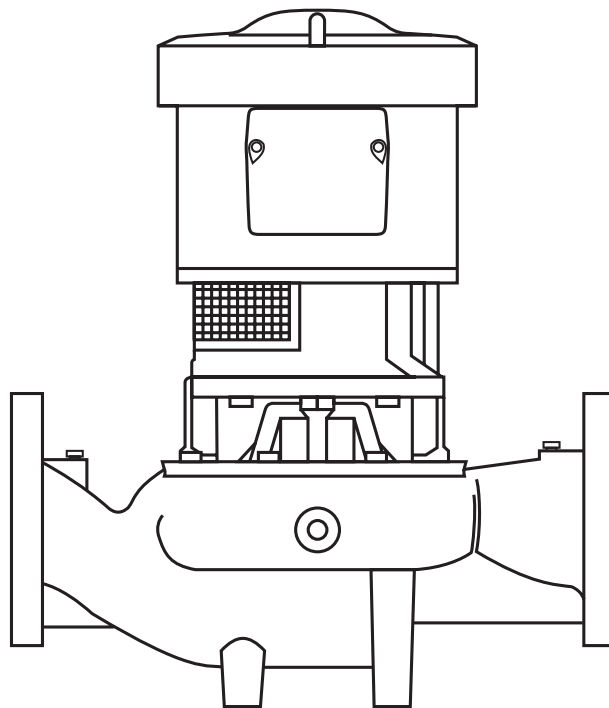




AURORA[®]



380 SERIES

REPAIR PARTS INDEX

NOTE! Read and understand the pump and motor instructions before attempting to install, disassemble or repair the pump.

**AURORA® 380 SERIES
MODEL 382A**

TABLE OF CONTENTS

PUMP MODEL	DESCRIPTION	PAGE
382A	1-1/2 x 1-1/2 x 7 THRU 4 x 4 x 7A &B	4
382A	1-1/2 x 1-1/2 x 9B THRU 6 x 6 x 9	5-6
382A	4 x 4 x 11 THRU 8 x 8 x 11	7
382A	2 x 2 x 12 THRU 8 x 8 x 12	8
382A	8 x 8 x 15 AND 10 x 10 x 15	9

NOTES: MODEL 382A PUMPS.

FOR PUMPS 12" & SMALLER

PART NO. 9, 9A, 9B, 9C, 10, 11, 12, 25 AND 27 ARE LISTED WITH A LARGE LETTER "S" OR "L"..

THESE PUMPS ARE BUILT ON TWO SHAFT SIZES, "S" INDICATING SMALL AND "L" FOR LARGE.

TO DETERMINE WHEN TO USE "S" OR "L" PARTS, IN ADDITION TO THE PUMP SIZE AND SERIAL NUMBER,
IT IS ALSO NECESSARY TO HAVE THE MOTOR FRAME NUMBER.

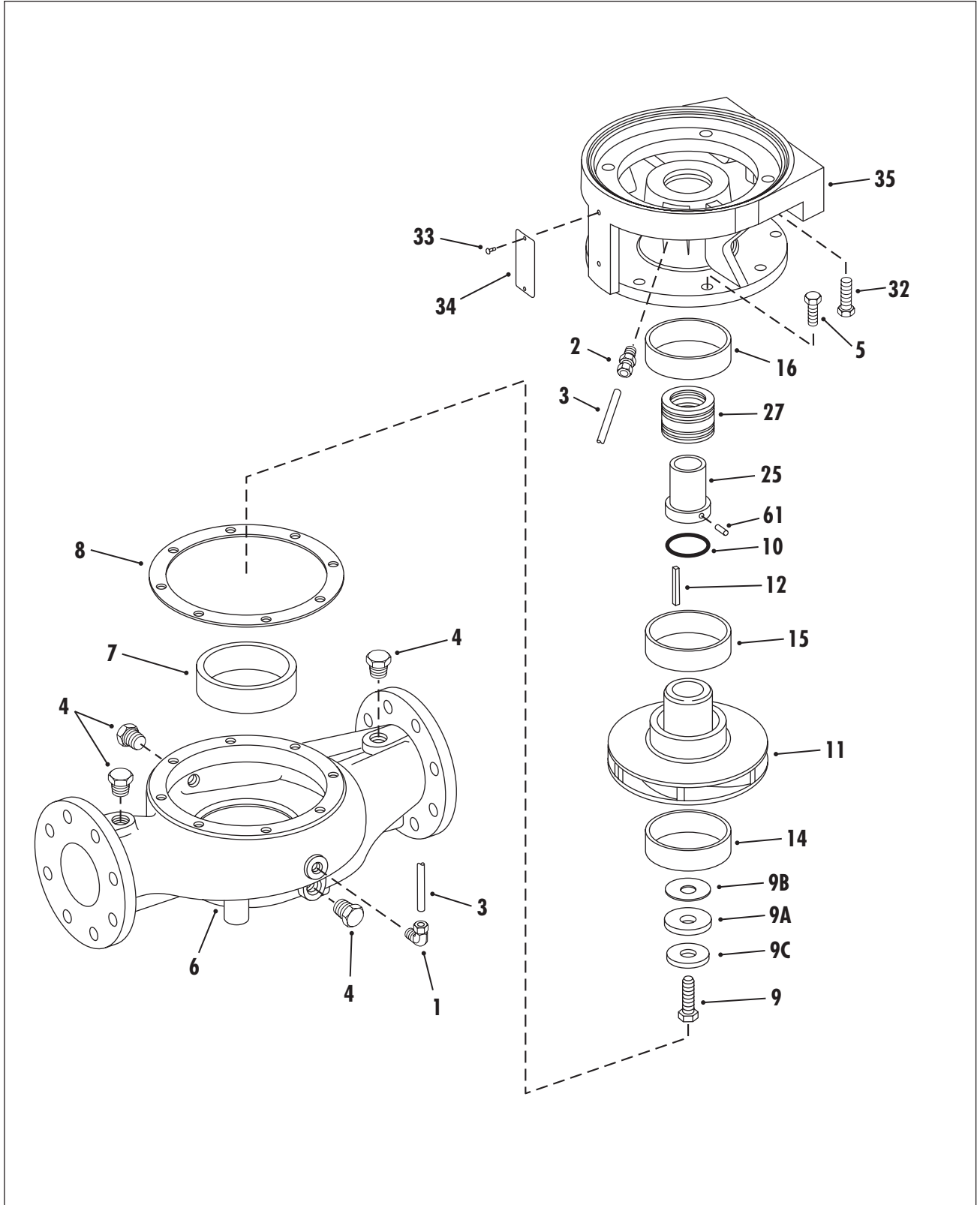
MOTOR FRAME 215 JM AND SMALLER USE "S" PARTS.

MOTOR FRAME 254 JM TO 326JM USE "L" PARTS.

**AURORA® 380 SERIES
MODEL 382A
PIECE NUMBERS**

SECTION 380P PAGE 3
DATED JULY 2014

SUPERSEDES 380P PAGE 3
DATED AUGUST 2013



AURORA® 380 SERIES
MODEL 382A
1-1/2 x 1-1/2 x 7 – 4 x 7A&B
PARTS LIST

PC. NO.	DESCRIPTION	QTY	PART NO.	MATERIAL				
				B.F.	A.B.	A.I.	S.S.	
1	COMP. ELBOW	1	868-3660	190		087		
2	COMP. CONNECTOR	1	868-3359	190		087		
3	TUBING	1	872-0124	175		087		
4	PIPE PLUG	5	600-0002	087		087		
5	CAPSCREW	8	168-0381	082		082		
6	CASING 1-1/2x7	1	180-2562	010		010		
	2x7	1	180-2573	010		010		
	2-1/2x7	1	180-2574	010		010		
	3x7A&7B	1	180-2560	010		010		
	4x7A&7B	1	180-2561	010		010		
7	WEAR RING							
	1-1/2x7	1	676-1150	208		010		
	2x7	1	676-1151	208		010		
	2-1/2x7	1	676-1152	208		010		
	3x7A&7B	1	676-1152	208		010		
4x7A&7B	1	676-1154	208		010			
8	GASKET	1	364-1014	603		603		
9	IMPELLER SCREW	S	1	168-0382	113		113	
		L	1	168-0490	113		113	
9A	WASHER	S	1	908-0603	087		087	
		L	1	908-0604	087		087	
9B	GASKET	S	1	364-2034	603		603	
		L	1	364-2035	603		603	
9C	CAPSCREW SEAL	S	1	908-1290	999		999	
		L	1	908-1292	999		999	
10	O-RING	S	1	364-0409	457		457	
		L	1	364-0414	457		457	
11	IMPELLER	S	1-1/2x7	1	443-0407	225		010
			2x7	1	443-0409	225		010
			2-1/2x7	1	443-0411	225		010
			3x7A	1	443-2034	225		010
			3x7B	1	443-0417	225		010
			4x7A	1	443-0425	225		010
			4x7B	1	443-0423	225		010
			IMPELLER	L	2-1/2 x 7	1	443-0413	225
	3x7A	1			443-2035	225		010
	3x7B	1			443-0419	225		010
	4x7A	1			443-0427	225		010
	4x7B	1			443-0472	225		010

PC. NO.	DESCRIPTION	QTY	PART NO.	MATERIAL					
				B.F.	A.B.	A.I.	S.S.		
11	IMPELLER (MACH. FOR OPT. RINGS #14 & 15)	S	1-1/2x7	1	443-0408	225		010	
			2x7	1	443-0410	225		010	
			2-1/2x7	1	443-0412	225		010	
			3x7A	1	443-1775	225		010	
			3x7B	1	443-0418	225		010	
			4x7A	1	443-0426	225		010	
			4x7B	1	443-0424	225		010	
			L	IMPELLER (MACH. FOR OPT. RINGS #14 & 15)	2-1/2x7	1	443-0414	225	
		3x7A			1	443-1776	225		010
		3x7B			1	443-0420	225		010
		4x7A			1	443-0428	225		010
		4x7B			1	443-0471	225		010
		12	IMPELLER KEY	S	1	472-0201	087		087
L	1			472-0247	087		087		
14	WEAR RING	1-1/2x7	1	676-1145	208		010		
		2x7	1	676-1146	208		010		
		2-1/2x7	1	676-1133	208		010		
		3x7A&7B	1	676-1133	208		010		
		4x7A&7B	1	676-1140	208		010		
15	WEAR RING	1-1/2x7					NOT REQUIRED		
		2x7					NOT REQUIRED		
		2-1/2x7	1	676-1133	208		010		
16	WEAR RING						NOT REQUIRED		
25	SLEEVE	S	1	756-0077	208		104		
		L	1	756-0078	208		104		
27	SEAL	S	1	712-0907	753		753		
		L	1	712-0910	753		753		
32	CAPSCREW	143JM-184JM	4	168-0386	082		082		
		213JM-256JM	4	168-0490	082		082		
33	SCREW	2	708-0013	365		365			
34	NAMEPLATE	1	532-0045	114		114			
35	BRACKET	143JM-184JM	1	116-0192	010		010		
		213JM-215JM	1	116-0194	010		010		
		254JM-256JM	1	116-0197	010		010		
61	PIN						INCLUDED WITH NO. 25		

AURORA® 380A SERIES
MODEL 382A
1-1/2 x 1-1/2 x 9B – 6 x 6 x 9
PARTS LIST

SECTION **380P** PAGE **5**
DATED **JULY 2014**

SUPERSEDES 380P PAGE 5
DATED AUGUST 2013

PC. NO.	DESCRIPTION	QTY	PART NO.	MATERIAL			
				B.F.	A.B.	A.I.	S.S.
1	COMP. ELBOW	1	868-3660	190		087	
2	COMP. CONNECTOR	1	868-3359	190		087	
3	TUBING	1	872-0124	175		087	
4	PIPE PLUG	5	600-0002	087		087	
5	CAPSCREW	8	168-0489	082		082	
6	CASING						
	1-1/2x9B	1	180-2173	010		010	
	2x9A&9B	1	180-2174	010		010	
	2x9C	1	180-2517	010		010	
	2-1/2x9	1	180-2575	010		010	
	3x4x9	1	180-2518	010		010	
	3x9A	1	180-2177	010		010	
	3x9B	1	180-2178	010		010	
	4x5x9	1	180-2519	010		010	
	4x9A&9B	1	180-2181	010		010	
	5x9	1	180-2576	010		010	
	6x9	1	180-2577	010		010	
7	WEAR RING						
	1-1/2x9B	1	676-1150	208		010	
	2x9, 9A&9B	1	676-1151	208		010	
	2-1/2x9	1	676-1152	208		010	
	3x4x9	1	676-2104	208		010	
	3x9A&9B	1	676-1152	208		010	
	4x5x9, 9A&9B	1	676-1154	208		010	
	5x9	1	676-1155	208		010	
	6x9	1	676-1155	208		010	
8	GASKET	1	364-1015	603		603	
9	IMPELLER SCREW	S	168-0382	113		113	
		L	168-0490	113		113	
9A	WASHER	S	908-0603	087		087	
		L	908-0604	087		087	
9B	GASKET	S	364-2034	603		603	
		L	364-2035	603		603	
9C	CAPSCREW SEAL	S	908-1290	999		999	
		L	908-1292	999		999	
10	O-RING	S	364-0409	457		457	
		L	364-0414	457		457	
11	IMPELLER	S					
	1-1/2x9B	1	443-0431	225		010	
	2x9A, 9C	1	443-0437	225		010	

PC. NO.	DESCRIPTION	QTY	PART NO.	MATERIAL			
				B.F.	A.B.	A.I.	S.S.
11	IMPELLER	S					
	2x9B	1	443-0435	225		010	
	2-1/2x9	1	443-0441	225		010	
	3x4x9	1	443-2748	225		010	
	3x9A	1	443-0441	225		010	
	3x9B	1	443-0445	225		010	
	4x5x9	1	443-2750	225		010	
	4x9A	1	443-1766	225		010	
	4x9B	1	443-1762	225		010	
	5x9	1	443-0457	225		010	
	6x9	1	443-0465	225		010	
	2x9C	L	443-0439	225		010	
	2-1/2x9	1	443-0443	225		010	
	3x4x9	1	443-2749	225		010	
	3x9A	1	443-0443	225		010	
	3x9B	1	443-0447	225		010	
	4x5x9	1	443-2751	225		010	
	4x9B	1	443-1764	225		010	
	5x9	1	443-0459	225		010	
	6x9	1	443-0467	225		010	
	IMPELLER	S					
	(MACH. FOR OPT. RINGS #14 & 15)						
	1-1/2x9B	1	443-0432	225		010	
	2x9A	1	443-0438	225		010	
	2x9B	1	443-0436	225		010	
	2x9C	1	443-0438	225		010	
	2-1/2x9	1	443-0422	225		010	
	3x9A	1	443-0442	225		010	
	3x9B	1	443-0446	225		010	
	4x9A	1	443-1767	225		010	
	5x9	1	443-0458	225		010	
	6x9	1	443-0466	225		010	
	IMPELLER	L					
	(MACH. FOR OPT. RINGS #14 & 15)						
	2x9C	1	443-0440	225		010	
	2-1/2x9	1	443-0444	225		010	
	3x9A	1	443-0444	225		010	
	3x9B	1	443-0448	225		010	
	4x9B	1	443-1765	225		010	
	5x9	1	443-0460	225		010	
	6x9	1	443-0468	225		010	

AURORA® 380 SERIES
MODEL 382A
1-1/2 x 1-1/2 x 9B – 6 x 6 x 9
PARTS LIST

PC. NO.	DESCRIPTION	QTY	PART NO.	MATERIAL			
				B.F.	A.B.	A.I.	S.S.
12	IMPELLER KEY	S	1 472-0201	087		087	
		L	1 472-0247	087		087	
14	WEAR RING						
	1-1/2x9B	1	676-1145	208		010	
	2x9A, B & C	1	676-1146	208		010	
	2-1/2x9	1	676-1133	208		010	
	3x9A&B	1	676-1133	208		010	
	4x9A&B	1	676-1140	208		010	
	5x9	1	676-1141	208		010	
	6x9	1	6761141	208		010	
15	WEAR RING						
	1-1/2x9B		NOT REQUIRED				
	2x9A, B & C		NOT REQUIRED				
	2-1/2x9	1	676-1133	208		010	
	3x9A&B	1	676-1133	208		010	
	4x9A&B	1	676-1156	208		010	
	5x9	1	676-1156	208		010	
	6x9	1	676-1156	208		010	
16	WEAR RING						
	1-1/2x9B		NOT REQUIRED				
	2x9A, B & C		NOT REQUIRED				
	2-1/2x9	1	676-0003	010		010	
	3x9A&B	1	676-0003	010		010	
	4x9A&B		NOT REQUIRED				
25	SLEEVE	S	1 756-0077	208		104	
		L	1 756-0078	208		104	
27	SEAL	S	1 712-0907	753		753	
		L	1 712-0910	753		753	

PC. NO.	DESCRIPTION	QTY	PART NO.	MATERIAL			
				B.F.	A.B.	A.I.	S.S.
32	CAPSCREW						
	143JM-184JM	4	168-0386	082		082	
	213JM-215JM	4	168-0490	082		082	
	254JM-256JM	4	168-0490	082		082	
33	SCREW	2	708-0013	365		365	
34	NAMEPLATE	1	532-0045	114		114	
35	BRACKET						
	143JM-184JM	1	116-0193	010		010	
	213JM-215JM	1	116-0195	010		010	
	254JM-256JM	1	116-0198	010		010	
61	PIN		INCLUDED WITH NO. 25				

AURORA® 380 SERIES
MODEL 382A
4 x 4 x 11 – 8 x 8 x 11
PARTS LIST

SECTION 380P PAGE 7
DATED JULY 2014

SUPERSEDES 380P PAGE 7
DATED SEPTEMBER 2013

PC. NO.	DESCRIPTION	QTY	PART NO.	MATERIAL			
				B.F.	A.B.	A.I.	S.S.
1	COMP. ELBOW	1	868-3360	190		087	
2	COMP. CONNECTOR	1	868-3359	190		087	
3	TUBING	1	872-0124	175		087	
4	PIPE PLUG	3	600-0002	087		087	
5	CAPSCREW	8	168-0490	082		082	
6	CASING						
	4x11	1	180-2578	010		010	
	5x11	1	180-2579	010		010	
	6x11	1	180-2580	010		010	
	8x11	1	180-2581	010		010	
7	WEAR RING						
	4x11	1	676-1154	208		010	
	5x11	1	676-1155	208		010	
	6x11	1	676-1684	208		010	
	8x11	1	676-2104	208		010	
8	GASKET	1	364-2109	603		603	
9	IMPELLER SCREW	S	1	168-0382	113	113	
		L	1	168-0490	113	113	
9A	WASHER	S	1	908-0603	087	087	
		L	1	908-0604	087	087	
9B	GASKET	S	1	364-2034	603	603	
		L	1	364-2035	603	603	
9C	CAPSCREW	S	1	908-1290	999	999	
	SEAL	L	1	908-1292	999	999	
10	O-RING	S	1	364-0409	457	457	
		L	1	364-0414	457	457	
11	IMPELLER	S					
	4x11	1	443-2388	225		010	
	5x11	1	443-2389	225		010	
	6x11	1	443-2390	225		010	
	8x11	1	443-2390	225		010	
	4x11	L	1	443-2400	225	010	
	5x11	1	443-2401	225		010	
	6x11	1	443-2402	225		010	
	8x11	1	443-2402	225		010	
	IMPELLER (MACH. FOR OPT. RINGS #14 & 15)	S					
	4x11	1	443-2424	225		010	
	5x11	1	443-2425	225		010	
	6x11	1	443-2426	225		010	
	6x11	1	443-2426	225		010	

PC. NO.	DESCRIPTION	QTY	PART NO.	MATERIAL				
				B.F.	A.B.	A.I.	S.S.	
11	IMPELLER (MACH. FOR OPT. RINGS #14 & 15)	L						
	4x11	1	443-2428	225		010		
	5x11	1	443-2429	225		010		
	6x11	1	443-2430	225		010		
	8x11	1	443-2430	225		010		
12	IMPELLER KEY	S	1	472-0201	087	087		
		L	1	472-0247	087	087		
14	WEAR RING							
	4x11	1	676-1140	208		010		
	5x11	1	676-1141	208		010		
	6x11	1	676-1143	208		010		
	8x11	1	676-1143	208		010		
15	WEAR RING							
	4x11	1	676-1156	208		010		
	5x11	1	676-1156	208		010		
	6x11	1	676-1156	208		010		
	8x11	1	676-1156	208		010		
16	WEAR RING			NOT REQUIRED				
25	SLEEVE	S	1	756-0077	208		104	
		L	1	756-0078	208		104	
27	SEAL	S	1	712-0907	753		753	
		L	1	712-0910	753		753	
32	CAPSCREW MTR. FR.							
	213JM - 215JM	4	168-0490	082		082		
	254JM - 256JM	4	168-0490	082		082		
	284JM - 326JM	4	168-0562	082		082		
33	U DRIVE SCREW	2	708-0013	365			365	
34	NAMEPLATE	1	532-0045	114			114	
35	BRACKET							
	213JM - 215JM	1	116-0465	010		010		
	254JM - 256JM	1	116-0466	010		010		
	284JM - 326JM	1	116-0467	010		010		
61	PIN			INCLUDED WITH NO. 25				

AURORA® 380 SERIES
MODEL 382A
2 x 2 x 12 – 8 x 8 x 12
PARTS LIST

PC. NO.	DESCRIPTION	QTY	PART NO.	MATERIAL				
				B.F.	A.B.	A.I.	S.S.	
1	COMP. ELBOW	1	868-3660	190		087		
2	COMP. CONNECTOR	1	868-3359	190		087		
3	TUBING	1	872-0124	175		087		
4	PIPE PLUG	5	600-0002	087		087		
5	CAPSCREW	8	168-0489	082		082		
6	CASING	2x12	1	180-2175	010	010		
		3x12	1	180-2179	010	010		
		4x12	1	180-2582	010	010		
		5x12	1	180-2583	010	010		
		6x12	1	180-2584	055	055		
		8x12	1	180-2593	010	010		
7	WEAR RING	2x12	1	676-1151	208	010		
		3x12	1	676-1152	208	010		
		4x12	1	676-1154	208	010		
		5x12	1	676-1155	208	010		
		6x12	1	676-1684	208	010		
		8x12	1	676-2100	208	010		
8	GASKET	1	364-1016	603		603		
9	IMPELLER SCREW	S	1	168-0382	113	113		
		L	1	168-0490	113	113		
9A	WASHER	S	1	908-0603	087	087		
		L	1	908-0604	087	087		
9B	GASKET	S	1	364-2034	603	603		
		L	1	364-2035	603	603		
9C	CAPSCREW SEAL	S	1	908-1290	999	999		
		L	1	908-1292	999	999		
10	O-RING	S	1	364-0409	457	457		
		L	1	364-0414	457	457		
11	IMPELLER	S						
			2x12	1	443-1734	225	010	
			3x12	1	443-1735	225	010	
	IMPELLER	L						
			2x12	1	443-1725	225	010	
			3x12	1	443-1726	225	010	
			4x12	1	443-1728	225	010	
			5x12	1	443-1729	225	010	
			6x12	1	443-1730	225	010	
8x12	1	443-2664	225	010				
IMPELLER (MACH. FOR OPT. RING #14 & 15)	S							
		2x12	1	443-1748	225	010		
		3x12	1	443-1749	225	010		
	4x12	1	443-1751	225	010			

PC. NO.	DESCRIPTION	QTY	PART NO.	MATERIAL				
				B.F.	A.B.	A.I.	S.S.	
11	IMPELLER (MACH. FOR OPT. RING #14 & 15)	L						
			2x12	1	443-1739	225	010	
			3x12	1	443-1740	225	010	
			4x12	1	443-1742	225	010	
			5x12	1	443-1743	225	010	
			6x12	1	443-1744	225	010	
	8x12	1	443-2977	225	010			
12	IMPELLER KEY	S	1	472-0201	087	087		
		L	1	472-0247	087	087		
14	WEAR RING	2x12	1	676-1146	208	010		
		3x12	1	676-1133	208	010		
		4x12	1	676-1140	208	010		
		5x12	1	676-1141	208	010		
		6x12	1	676-1143	208	010		
		8x12	1	676-2101	208	010		
15	WEAR RING	2x12		NOT REQUIRED				
		3x12	1	676-1133	208	010		
		4x12	1	676-1156	208	010		
		5x12	1	676-1156	208	010		
		6x12	1	676-1156	208	010		
		8x12	1	676-1156	208	010		
16	WEAR RING			NOT REQUIRED				
25	SLEEVE	S	1	756-0077	208	104		
		L	1	756-0078	208	104		
27	SEAL	S	1	712-0907	753	753		
		L	1	712-0940	753	753		
32	CAPSCREW 213JM-215JM 254JM-256JM		4	168-0490	082	082		
			4	168-0490	082	082		
33	SCREW		2	708-0013	365	365		
34	NAMEPLATE		1	532-0045	114	114		
35	BRACKET 213JM-215JM 254JM-256JM		1	116-0196	010	010		
			1	116-0199	010	010		
61	PIN			INCLUDED WITH NO. 25				

AURORA® 380 SERIES
MODEL 382A
8 x 8 x 15 – 10 x 10 x 15
PARTS LIST

SECTION 380P PAGE 9
DATED JULY 2014

SUPERSEDES 380P PAGE 9
DATED SEPTEMBER 2013

PC. NO.	DESCRIPTION	QTY	PART NO.	MATERIAL				
				B.F.	A.B.	A.I.	S.S.	
1	COMP. ELBOW	1	868-3360	190		087		
2	COMP. CONNECTOR	1	868-3559	190		087		
3	TUBING	1	872-0124	175		087		
4	PIPE PLUG	5	600-0002	082		082		
5	CAPSCREW	8	168-0636	082		082		
6	CASING							
	8 x 15	1	180-2595	010		010		
	10 x 15	1	180-2596	010		010		
7	WEAR RING							
	8 x 15	1	676-2036	222		010		
	10 x 15	1	676-2037	222		010		
8	O-RING	1	364-0557	457		457		
9	IMPELLER SCREW	1	168-0490	104		104		
9A	WASHER	1	908-1326	104		104		
9B	GASKET	1	364-2046	603		603		
9C	CAPSCREW SEAL	1	908-1292	118		118		
10	O-RING	1	364-0419	457		457		
11	IMPELLER							
	8 x 15	1	443-3088	208		010		
	10 x 15	1	443-3090	208		010		
11A	IMPELLER*							
	8 x 15	1	443-3089	208		010		
	10 x 15	1	443-3091	208		010		
12	IMPELLER KEY							
	364-445TCZ	1	472-0318	087		087		
14	WEAR RING (OPT)							
	8 x 15	1	676-1053	208		010		
	10 x 15	1	676-1971	208		010		
15	WEAR RING (OPT)							
	8 x 15	1	676-1053	208		010		
	10 x 15	1	676-1053	208		010		
16	WEAR RING							
	8 x 15	1	676-2036	222		010		
	10 x 15	1	676-2036	222		010		
25	SLEEVE	1	756-0692	208		108		
27	SEAL	1	712-0314	753		753		
32	CAPSCREW	4	168-0654	082		082		
33	U DRIVE SCREW	2	708-0013	365		365		
34	NAMEPLATE	1	532-0045	114		114		
35	BRACKET							
	364-405TCZ	1	116-0537	010		010		
	444-445TCZ	1	116-0539	010		010		
61	PIN		INCLUDED WITH NO. 25					

* MACHINED FOR OPT.
RINGS #14 AND 15

THIS PAGE INTENTIONALLY LEFT BLANK

THIS PAGE INTENTIONALLY LEFT BLANK

WARRANTY

Seller warrants equipment (and its component parts) of its own manufacture against defects in materials and workmanship under normal use and service for one (1) year from the date of installation or start-up, or for eighteen (18) months after the date of shipment, whichever occurs first. Seller does not warrant accessories or components that are not manufactured by Seller; however, to the extent possible, Seller agrees to assign to Buyer its rights under the original manufacturer's warranty, without recourse to Seller. Buyer must give Seller notice in writing of any alleged defect covered by this warranty (together with all identifying details, including the serial number, the type of equipment, and the date of purchase) within thirty (30) days of the discovery of such defect during the warranty period. No claim made more than 30 days after the expiration of the warranty period shall be valid. Guarantees of performance and warranties are based on the use of original equipment manufactured (OEM) replacement parts. Seller assumes no responsibility or liability if alterations, non-authorized design modifications and/or non-OEM replacement parts are incorporated. If requested by Seller, any equipment (or its component parts) must be promptly returned to Seller prior to any attempted repair, or sent to an authorized service station designated by Seller, and Buyer shall prepay all shipping expenses. Seller shall not be liable for any loss or damage to goods in transit, nor will any warranty claim be valid unless the returned goods are received intact and undamaged as a result of shipment. Repaired or replaced material returned to customer will be shipped F.O.B., Seller's factory. Seller will not give Buyer credit for parts or equipment returned to Seller, and will not accept delivery of any such parts or equipment, unless Buyer has obtained Seller's approval in writing. The warranty extends to repaired or replaced parts of Seller's manufacture for ninety (90) days or for the remainder of the original warranty period applicable to the equipment or parts being repaired or replaced, whichever is greater. This warranty applies to the repaired or replaced part and is not extended to the product or any other component of the product being repaired. Repair parts of its own manufacture sold after the original warranty period are warranted for a period of one (1) year from shipment against defects in materials and workmanship under normal use and service. This warranty applies to the replacement part only and is not extended to the product or any other component of the product being repaired. Seller may substitute new equipment or improve part(s) of any equipment judged defective without further liability. All repairs or services performed by Seller, which are not covered by this warranty, will be charged in accordance with Seller's standard prices then in effect.

THIS WARRANTY IS THE SOLE WARRANTY OF SELLER AND SELLER HEREBY EXPRESSLY DISCLAIMS AND BUYER WAIVES ALL OTHER WARRANTIES EXPRESSED, IMPLIED IN LAW OR IMPLIED IN FACT, INCLUDING ANY WARRANTIES OF MERCHANTABILITY OR FITNESS FOR A PARTICULAR PURPOSE. Seller's sole obligation under this warranty shall be, at its option, to repair or replace any equipment (or its component parts) which has a defect covered by this warranty, or to refund the purchase price of such equipment or part. Under the terms of this warranty, Seller shall not be liable for (a) consequential, collateral, special or liquidated losses or damages; (b) equipment conditions caused by normal wear and tear, abnormal conditions of use, accident, neglect, or misuse of said equipment; (c) the expense of, and loss or damage caused by, repairs or alterations made by anyone other than the Seller; (d) damage caused by abrasive materials, chemicals, scale deposits, corrosion, lightning, improper voltage, mishandling, or other similar conditions; (e) any loss, damage, or expense relating to or resulting from installation, removal or reinstallation of equipment; (f) any labor costs or charges incurred in repairing or replacing defective equipment or parts, including the cost of reinstalling parts that are repaired or replaced by Seller; (g) any expense of shipment of equipment or repaired or replacement parts; or (h) any other loss, damage or expense of any nature.

The above warranty shall not apply to any equipment which may be separately covered by any alternate or special warranties.

PERFORMANCE: In the absence of Certified Pump Performance Tests, equipment performance is not warranted or guaranteed. Performance curves and other information submitted to Buyer are approximate and no warranty or guarantee shall be deemed to arise as a result of such submittal. All testing shall be done in accordance with Seller's standard policy under Hydraulic Institute procedures.

LIABILITY LIMITATIONS: Under no circumstances shall the Seller have any liability under the Order or otherwise for liquidated damages or for collateral, consequential or special damages or for loss of profits, or for actual losses or for loss of production or progress of construction, regardless of the cause of such damages or losses. In any event, Seller's aggregate total liability under the Order or otherwise shall not exceed the contract price.

ACTS OF GOD: Seller shall in no event be liable for delays in delivery of the equipment or other failures to perform caused by fires, acts of God, strikes, labor difficulties, acts of governmental or military authorities, delays in transportation or procuring materials, or causes of any kind beyond Seller's control.

COMPLIANCE WITH LAW: Seller agrees to comply with all United States laws and regulations applicable to the manufacturing of the subject equipment. Such compliance shall include: The Fair Labor Standards Acts of 1938, as amended; Equal Employment Opportunity clauses of Executive Order 11246, as amended; Occupational Safety and Health Act of 1970 and the standards promulgated thereunder, if applicable. Since compliance with the various Federal, State, and Local laws and regulations concerning occupational health and safety, pollution or local codes are affected by the use, installation and operation of the equipment and other matters over which Seller has no control, Seller assumes no responsibility for compliance with those laws and regulations, whether by way of indemnity, warranty, or otherwise. It is incumbent upon the Buyer to specify equipment which complies with local codes and ordinances.



AURORA®

800 Airport Road
North Aurora, Illinois 60542
630-859-7000
www.aurorapump.com