

BERKELEY® PN Series

Corrosion-resistant, self-priming shallow well jet pumps



PN Series Shallow Well Jet Pumps are corrosion- and abrasion-resistant and are ideal for wells with pumping levels of 25' or less.

Self-priming after the pump housing is initially filled with water.

Capacities to 18 GPM. Available in 1/2, 3/4 and 1 HP models.

Supplied with the industry standard 30-50 pressure switch setting.

APPLICATIONS

- Water Systems
- Booster Pump
- Marine Use
- Mist Sprayers – Poultry
- Fountains and Water Features

SPECIFICATIONS

- Body and Seal Plate:** Fiberglass-reinforced thermoplastic
- Impeller:** Engineered polymer
- Base:** 12-gauge steel
- Nozzle, Venturi, Diffuser:** Polypropylene

FEATURES

Quality Construction: Fiberglass-reinforced thermoplastic body provides total corrosion resistance and high resistance to abrasion.

Built-in Jet: Shallow-well jet has corrosion-resistant polypropylene nozzle and venturi.

Impeller: Precision-molded for perfect balance...ultra-smooth for highest performance and efficiency.

Precision-Molded Diffuser: Polypropylene diffuser allows pump to prime faster, handle more air.

Heavy-Duty Motor: Stainless steel shaft and dual heavy-duty ball bearings.

Heavy-Duty Ball Bearings: Shielded, permanently lubricated bearings, extensively tested to ensure extended life and smooth, quiet operation.

Dual Voltage Capability: Dual voltage motors are shipped at the 230-volt setting.

Professional Quality, Pre-set 30-50 PSI: Allows for cut-in pressure adjustments.

New Nozzle Cleanout: Easy plug removal and access for ease of service.

New Drain Plug: Bottom-mounted for easy draining and winterization.

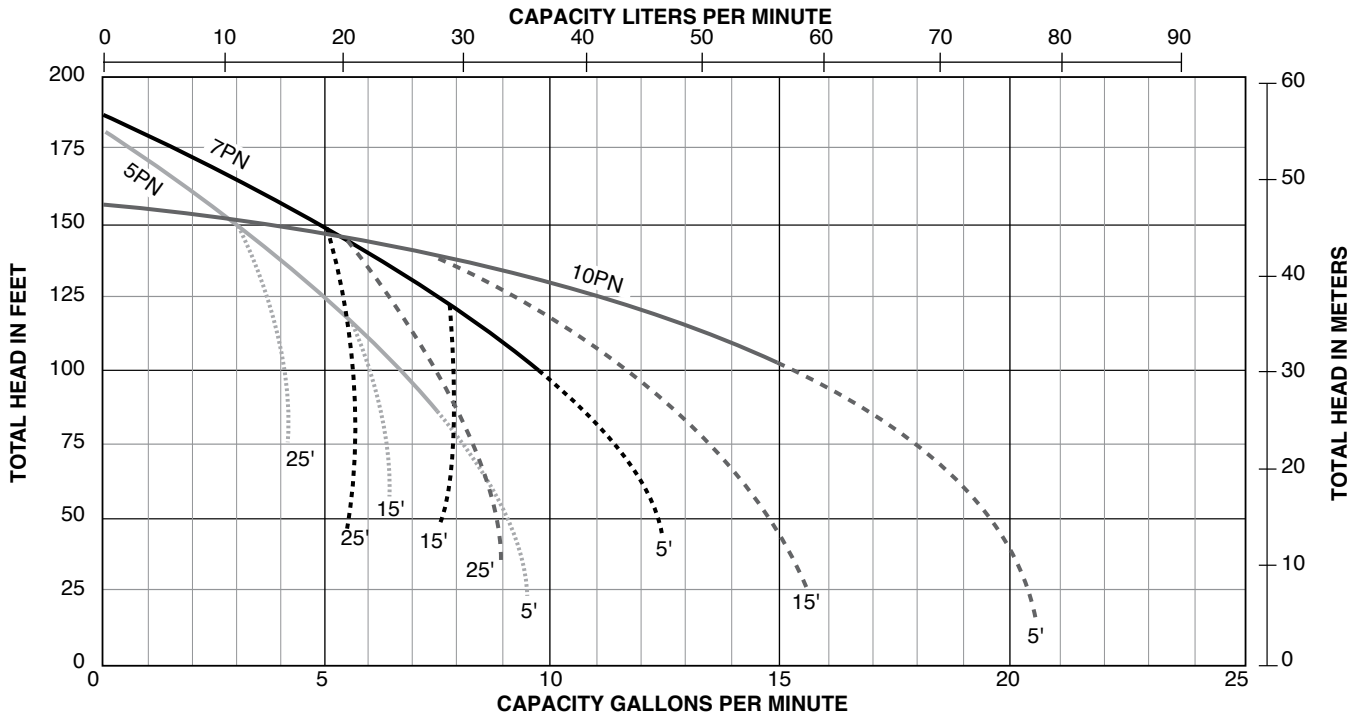
ORDERING INFORMATION

CATALOG NUMBER	HP	DESCRIPTION	PIPE TAPPING SIZES		MOTOR VOLTAGE	APPROX. WT. LBS./KG
			SUCTION	DISCHARGE		
5PN	1/2	Shallow Well Jet	1-1/4"	1"	115/230	21/9.5
7PN	3/4	Shallow Well Jet	1-1/4"	1"	115/230	24/11
10PN	1	Shallow Well Jet	1-1/4"	1"	115/230	26/12

BERKELEY® PN Series

Corrosion-resistant, self-priming shallow well jet pumps

PUMP PERFORMANCE



PUMP PERFORMANCE (Capacity in gallons per minute)

CATALOG NUMBER	HP	DISCH. PRESSURE PSI	DYNAMIC SUCTION LIFT					SHUT-OFF PRESSURE PSI
			5'	10'	15'	20'	25'	
5PN	1/2	30	8.5	7.1	6.5	5.4	4.1	77
		40	7.4	6.4	6.1	5.1	4.0	
		50	5.2	5.1	4.5	4.1	3.4	
7PN	3/4	30	12.1	10.7	9.0	7.6	5.3	78
		40	10.7	10.2	8.5	7.3	5.7	
		50	8.5	8.4	8.1	7.1	5.1	
10PN	1	30	18.0	17.1	14.9	12.6	8.8	67
		40	16.8	16.1	14.4	12.2	8.5	
		50	13.5	13.4	13.0	12.0	8.1	

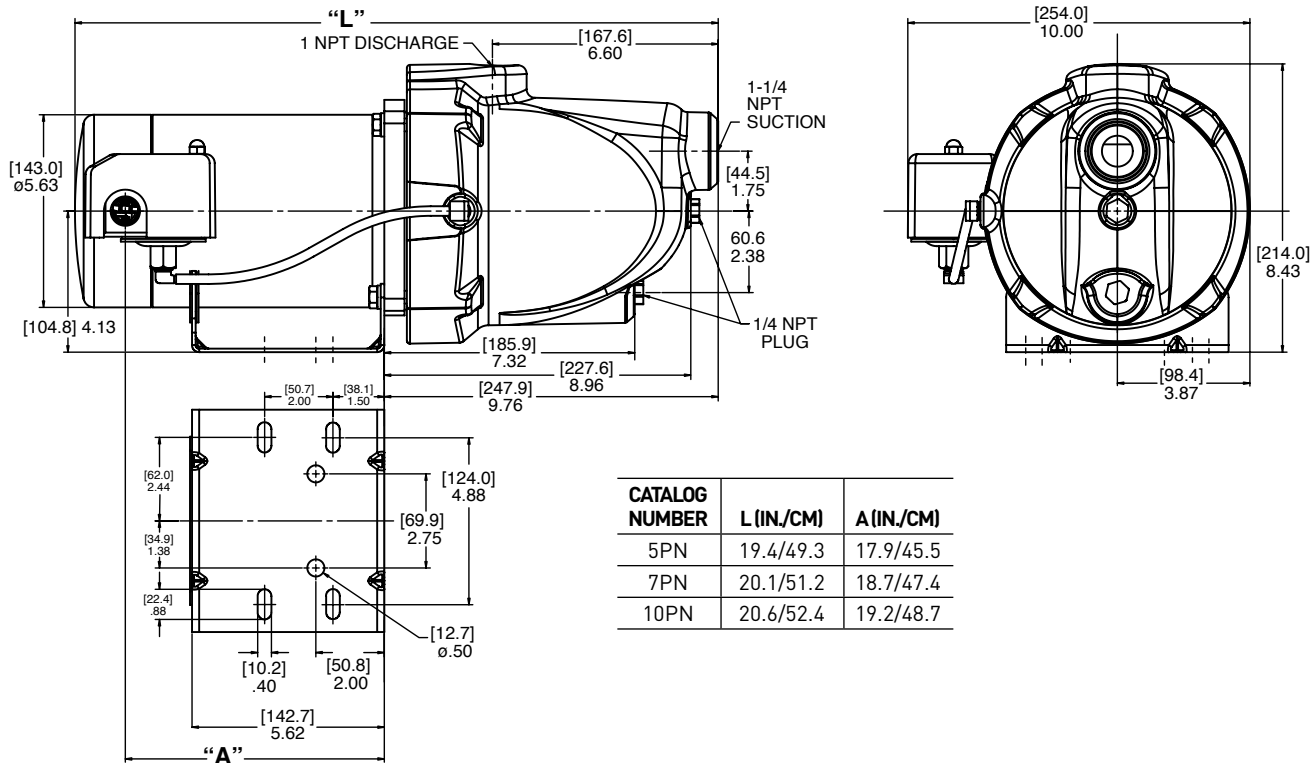
Pumps will operate at all depths shown, with pressure switch set at 30-50 PSI. Tested and rated in accordance with Water Systems Council Standards.

NOTE: Pumps installed with a Pro-Source® tank require a 100 PSI relief valve.
 Pumps installed with a conventional tank require a 75 PSI relief valve.
 Relief valve must be capable of relieving entire flow of pump at relief pressure.

BERKELEY® PN Series

Corrosion-resistant, self-priming shallow well jet pumps

OUTLINE DIMENSIONS



CATALOG NUMBER	L (IN./CM)	A (IN./CM)
5PN	19.4/49.3	17.9/45.5
7PN	20.1/51.2	18.7/47.4
10PN	20.6/52.4	19.2/48.7

Dimensions (in inches) are for estimating purposes only.



US: 293 WRIGHT STREET, DELAVAN, WI 53115 WWW.BERKELEYPUMPS.COM PH: 888-782-7483 ORDERS FAX: 800-426-9446
CANADA: 490 PINEBUSH ROAD, UNIT 4, CAMBRIDGE, ONTARIO N1T 0A5 PH: 800-363-7867 ORDERS FAX: 888-606-5484
Because we are continuously improving our products and services, Pentair reserves the right to change specifications without prior notice.