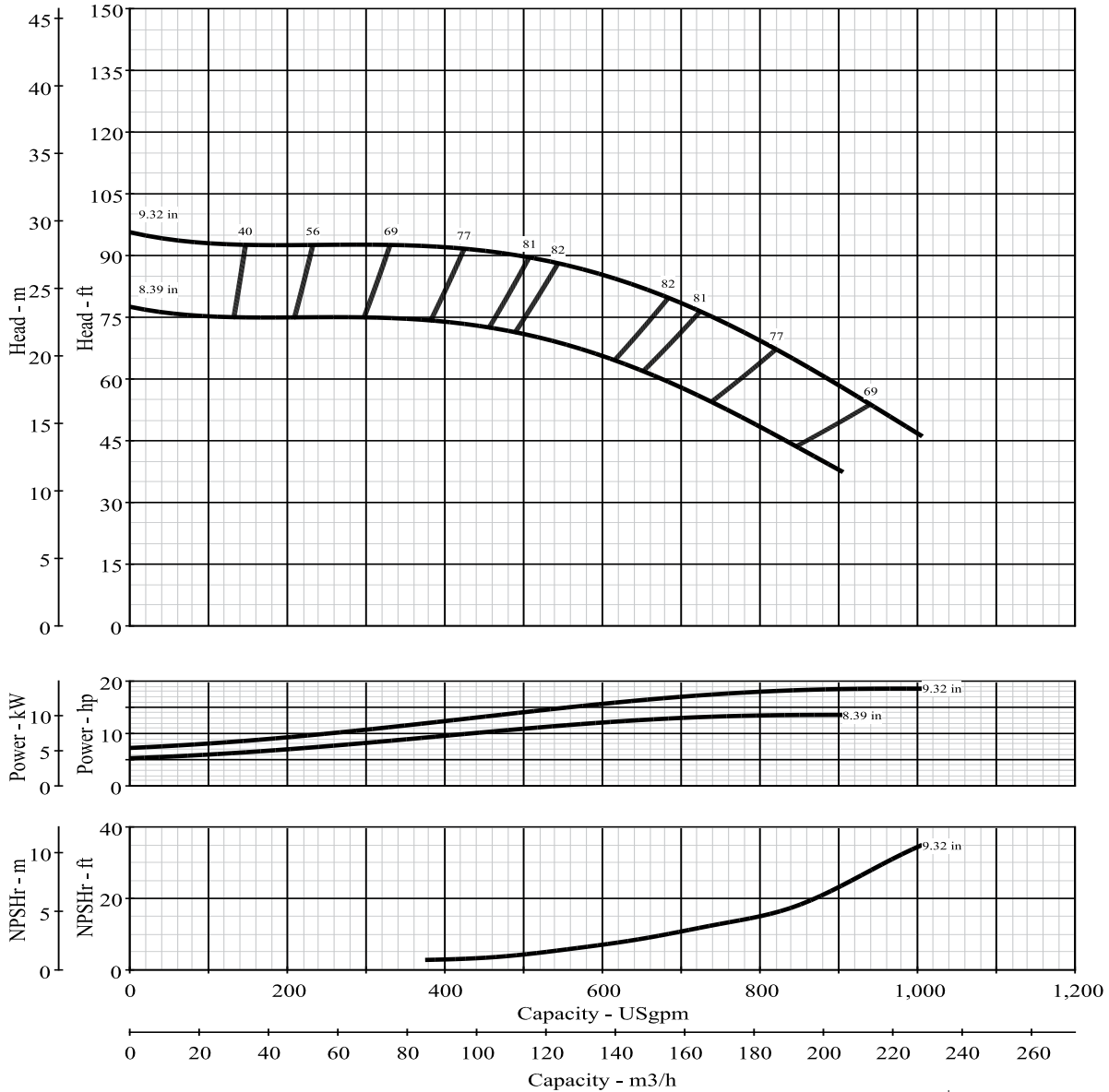


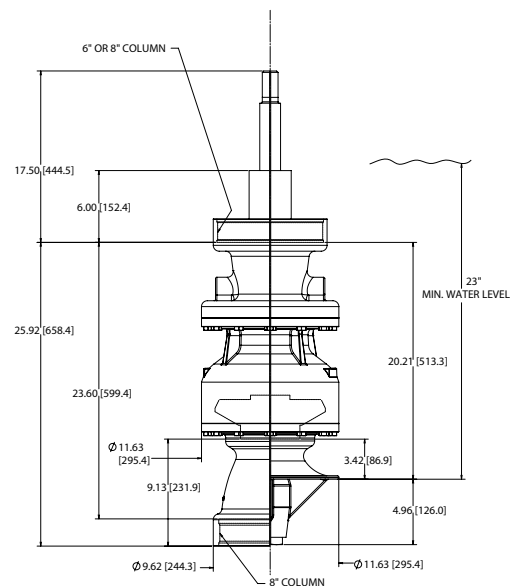
BERKELEY®

VERTICAL LINESHAFT TURBINES

| No. Stages | Eff. | 12VT600 | 1770 R.P.M. |
|------------|------|--|-------------|
| 1 | -2 | SINGLE STAGE LAB PERFORMANCE WITH STANDARD MATERIALS. EFFICIENCY SHOWN FOR 4 OR MORE STAGES. HORSE POWER SHOWN FOR ONE STAGE BASED ON 4 STAGE EFFICIENCY. CORRECTIONS SHOULD BE MADE FOR STAGES AND MATERIAL | |
| 2 | -1 | | |
| 3 | 0 | | |
| 4 | 0 | | |



| | | | |
|----------------------------------|-----------|-----------------------------------|-------|
| Maximum Operating Speed | 1800 | Maximum Sphere Size-inches | 0.65 |
| Pump Shaft Diameter-inches | 1.687 | Thrust Factor-Kt | 6.4 |
| Bowl Weight 1st Stage | 220 | WR2 | 0.964 |
| Bowl Weight Ea. Add Stage-lbs | 81.1 | Running Position (Above Seat)-in. | 0.200 |
| Allowable Shaft Stretch-inches | 0.95 | Submergence-inches | 23 |
| Maximum Working Pressure-PSI | 380 | Max Bowl Brg Clearance-in. Dia | 0.012 |
| Maximum Hydro Pressure-PSI | 570 | Max Wear Ring Clearance-in Dia. | N/A |
| Impeller Eye -Sq. In | 14.95 | Max Bowl O.D.-inches | 11.63 |
| Rotor Weight 1st/add stages-(Ks) | 43.4/21.8 | Suct Bell O.D.-inches | 11.63 |
| Add 7.76" per additional stage | | Maximum Number of Stages | 9 |
| Discharge-inches | 6, 8 | Suction-inches | 8 |



293 WRIGHT STREET, DELAVAN, WI 53115 WWW.BERKELEYPUMPS.COM
PH: 888-237-5353 ORDERS FAX: 800-321-8793

Because we are continuously improving our products and services, Pentair reserves the right to change specifications without prior notice.

B11500BK (02/23/15) © 2015 Pentair Ltd. All Rights Reserved.