



EVERPURE® POLARIA®

POLARIA APPLIANCE FOR CHILLED WATER

Get luxurious instant chilled water at the tap with the Everpure® Polaria® Water Chiller. The perfect complement to an Everpure commercial grade water filtration system, the Polaria chills water to an ideal 50°F. This truly commercial-grade unit delivers up to 1.3 gallons of refreshing chilled water per hour and is ideal for drinking, baking, iced tea, lemonade and much more. Despite its ample water-chilling power, the Polaria only consumes 155 watts of electricity.

FEATURES

- Compact unit is easy to hide in any kitchen cabinet or wet bar
- Stainless steel components and lead free design
- Whisper-quiet, hermetically sealed and maintenance-free compressor
- Chills to an ideal temperature of 50°F
- Uses ozone-friendly refrigerant



SPECIFICATIONS

- | | |
|---|---|
| <ul style="list-style-type: none">• Dimensions
14H x 7W x 17D in• Capacity
1.3 gallons per hour• Tank volume
0.7 gallons• Temperature output
50° F [based on 80° F inlet water and 90° F ambient]• Inlet/outlet
1/4" Outer dimension tubes | <ul style="list-style-type: none">• Power
155 watts• Motor compressor
1/8 HP, 115 VAC,
60Hz single phase |
|---|---|

ORDERING INFORMATION



MODEL	PART NO	DESCRIPTION
Polaria®	EV931830	Chilled water appliance

GENERAL INSTALLATION / OPERATION / MAINTENANCE REQUIREMENTS

Not recommended for use with a Reverse Osmosis (RO) water filtration system – eventual damage to the pump will result. To prevent damage, install with a booster pump or autoclave.

Minimum requirements for incoming water – Water pressure: 14.5 psi; 0.5 gpm (use a booster pump to increase water requirements)

Install a pressure reducer when water pressure exceeds 43.5 psi

Install the appliance away from heat sources and direct sunlight

Do not install the appliance outdoors or in damp locations

Minimum installation space – 2.5 inches from adjacent surfaces for proper air circulation around appliance

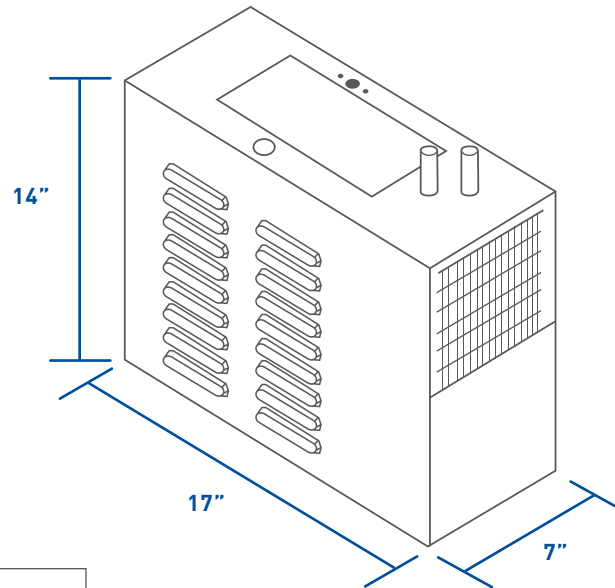
The appliance generates heat, so external venting may be required when it is installed in a cabinet

Appliance must be supported on all four foot pads

DRINKING WATER FAUCETS

Faucet and filtration system sold separately. For use with dual-temperature faucet.

DIMENSIONS



This water appliance is approved by Underwriters Laboratories Inc. in accordance with NSF/ANSI 61-2002e.



FILTRATION & PROCESS

5730 NORTH GLEN PARK ROAD, MILWAUKEE, WI 53209

P: 262.238.4400 | F: 262.238.4404 | WWW.PENTAIRAQUA.COM | WWW.RESIDENTIAL.EVERPURE.COM | CUSTOMER CARE: 800.279.9404

All Pentair trademarks and logos are owned by Pentair, Inc. or its affiliates. All other registered and unregistered trademarks and logos are the property of their respective owners. Because we are continuously improving our products and services, Pentair reserves the right to change specifications without prior notice. Pentair is an equal opportunity employer.

4002834 REV B JL14 © 2014 Pentair Residential Filtration, LLC. All Rights Reserved.