



EVERPURE



ROM IV REVERSE OSMOSIS SYSTEM

Pentair Everpure® introduces the ROM IV, a reverse osmosis undersink water filtration system. Water is delivered from a 4.5 gallon storage tank.



Third party certified

FEATURES

Quality water for your drinking and cooking needs

Compact system fits under kitchen sink

Sanitary cartridge replacement is simple, quick, and clean; internal filter parts are never exposed to handling or contamination



Designed for chlorinated or non-chlorinated water supplies

14 gallon per day high recovery reverse osmosis membrane

Most efficient RO technology available on the market today

SPECIFICATIONS

Feed Water Pressure
40-100 psi (2.7 - 6.9 bar)

Temperature Range
32-120°F (0-49°C)

Total Dissolved Solids
1000 ppm maximum

Maximum Hardness
143 ppm

Sulfide, Iron and Manganese:
Less than 0.1 ppm

Chlorine in Water Supply
Free chlorine - 0.1 ppm maximum

Water Supply pH Limits
4 to 11

Turbidity
1.0 NTU maximum

SUBSTANCE REDUCTION

- Arsenic V
- Barium
- Cadmium
- Chromium III
- Chromium VI
- Copper
- Cysts*
- Fluoride
- Lead
- Radium 226/228
- Selenium
- Total Dissolved Solids
- Turbidity
- Chlorine Taste & Odor
- Dissolved Minerals & Salts

APPLICATIONS

- Point-of-use drinking water
- Undersink installations

SYSTEM INCLUDES

- Membrane
- Prefilter
- Postfilter
- Storage Tank
- Faucet

*NSF/ANSI Standard 58 certified to reduce cysts such as *Cryptosporidium* and *Giardia* by mechanical means.

ORDERING INFORMATION

	MODEL	PART NO.	DESCRIPTION
	ROM IV	EV929650	RO System (w/faucet)
	ROM-G75	EV929775	RO Membrane
ROM-PFK	ROM-PRE	EV929670	Prefilter Cartridge**
	ROM-PST	EV929670	Postfilter Cartridge**

**Prefilter and Postfilter sold together as a twin pack (ROM-PFK)

INSTALLATION TIPS

Choose a mounting location suitable to support the full weight of the system when operating

The tank assembly may be placed above, below or alongside (preferred) of the assembly

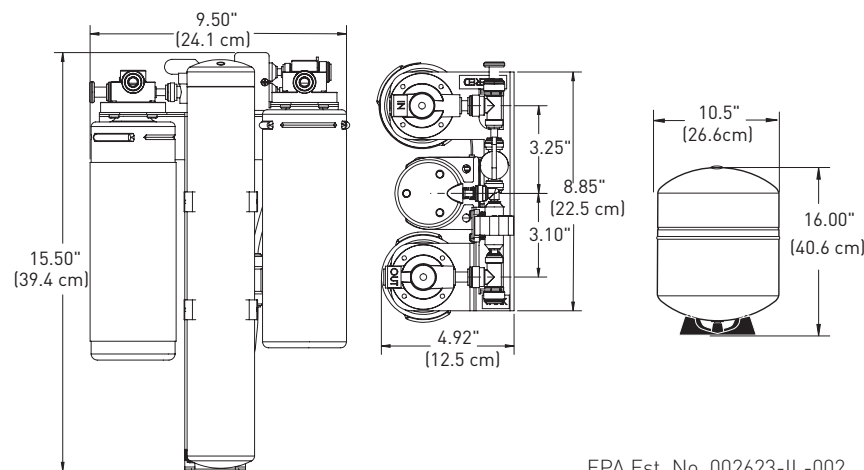
Install vertically with cartridges hanging down

Allow 2-1/2" (6.35 cm) clearance below the cartridge for easy cartridge replacement

The water inlet must supply a minimum of 40-100 psi (2.7-6.9 bar), non-shock

OPERATION TIPS

Replace the Everpure prefilter and postfilter carbon cartridges every 12 months. Replace the Everpure ROM-G75 RO membrane cartridge every two (2) years, or as needed.



System Tested and Certified by NSF International against NSF/ANSI Standard 58 for the reduction of the claims specified on the performance data sheet or at www.NSF.org

The contaminants or other substances removed or reduced by this drinking water system are not necessarily in your water. Do not use with water that is microbiologically unsafe or of unknown quality without adequate disinfection before or after the system. Systems certified for cyst reduction may be used with disinfected water that may contain filterable cysts.

EPA Est. No. 002623-IL-002

WARRANTY

Everpure ROM IV System by Pentair (excluding replaceable elements) is covered by a limited warranty against defects in material and workmanship for a period of one year after the date of purchase.

Everpure replaceable elements by Pentair (filter cartridges and water treatment cartridges) are covered by a limited warranty against defects in material and workmanship for a period of one year after date of purchase. See printed warranty for details. Pentair will provide a copy of the warranty upon request.



13845 BISHOPS DR., SUITE 200, BROOKFIELD, WI 53005 USA

P: 262.238.4400 | WWW.EVERPURE.COM

CUSTOMER CARE: 800.279.9404 | tech-support@pentair.com

© 2018 Pentair Residential Filtration, LLC. All rights reserved.

§For a detailed list of where Pentair trademarks are registered, please visit waterpurification.pentair.com/brands.

Pentair trademarks and logos are owned by Pentair plc or its affiliates. Third party registered and unregistered trademarks and logos are the property of their respective owners.

4005000 REV E JE18