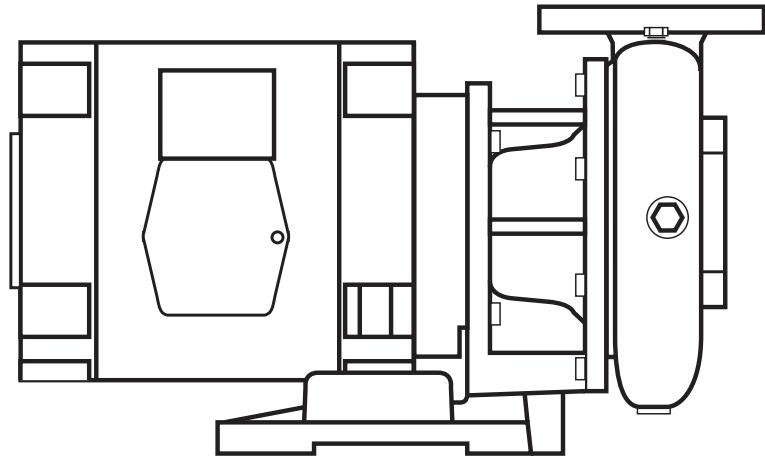




AURORA®



360A SERIES

REPAIR PARTS INDEX

NOTE! Read and understand the pump and motor instructions before attempting to install, disassemble or repair the pump.

TABLE OF CONTENTS

PUMP MODEL	DESCRIPTION	PAGE
360A Series	Repair Parts Index.....	3
361A	Horizontal Close Coupled Exploded view and piece numbers.....	4
362A	Vertical Close Coupled Exploded view and piece numbers.....	5
364A	Horizontal Power Frame Mounted Exploded view and piece numbers.....	6
364A (6x8x15 and 8x10x15)	Horizontal Power Frame Mounted Exploded view and piece numbers.....	7

PUMP SIZE	PAGE
1-1/4 x 1-1/2 x 7 through 4 x 4 x 7	8 – 10
1-1/4 x 1-1/2 x 9B through 6 x 6 x 9	11 – 14
1-1/2 x 2 x 11 through 6 x 6 x 11A	15 – 18
1-1/2 x 2 x 12 through 6 x 6 x 12A	15 – 18
6 x 8 x 15 and 8 x 10 x 15*	19 – 20

*Available in Model 364A only

Notes:

- 1) Part numbers 9A, 9B, 9C, 10, 11, 12, 16, 17, 18, 19, 23, 25, 26, 27, 28, 29, 32, 35, 39, 40, 41, and 66 are listed with a larger letter **(S)** or **(L)**. These pumps are built on two shaft sizes, **(S)** indicating small and **(L)** for large.
- 2) To determine when to use **(S)** or **(L)** parts, in addition to the pump size, it is also necessary to have the motor frame number for 361A and 362A pumps and also the operating speed for 364A. Motor frame 184JP and Smaller use **(S)** parts. Motor frame 213JP and Larger use **(L)** parts.
- 3) For 364A power frame assignment, refer to page 3.
- 4) Part numbers for standard fitted pumps are not shown specifically, but they are the same as for bronze fitted except for the impeller which is cast iron (010) rather than bronze.

**360A SERIES
MODELS 361A - 362A - 364A**

SECTION 360P PAGE 3
DATED FEBRUARY 2011

SUPERSEDES 360P PAGE 3
DATED JUNE 1998

REPAIR PARTS INDEX

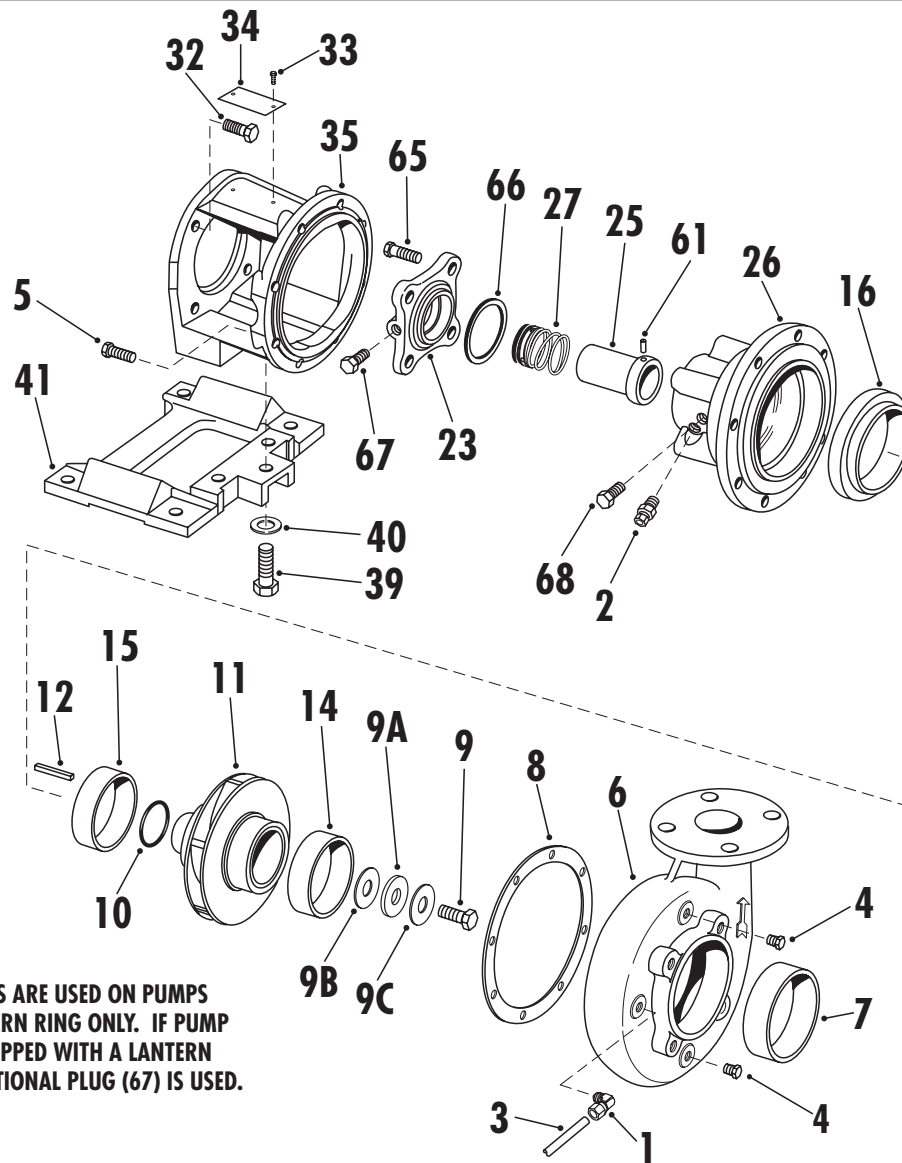
**THE CHART FOR USE WITH 364A PUMPS ONLY.
FOR CLOSE COUPLED PUMPS REFER TO MOTOR FRAME SIZES ON PAGE 2.**

PUMP SIZE	3500	1750		1150	
	ENCLOSED	ENCLOSED	SEMI-ENCLOSED	ENCLOSED	SEMI-ENCLOSED
1-1/4 x 1-1/2 x 7	1	1	1	-	-
1-1/4 x 1-1/2 x 9B	-	1	-	-	-
1-1/2 x 2 x 7	1	1	1	-	-
1-1/2 x 2 x 9A	-	1	2	-	1
1-1/2 x 2 x 9B	-	1	-	-	-
1-1/2 x 2 x 9C	2	1	-	-	-
1-1/2 x 2 x 11	-	2	-	2	-
1-1/2 x 2 x 12	-	2	3	2	2
2 x 2-1/2 x 7A	2	1	1	-	-
2 x 2-1/2 x 7B	1	1	-	-	-
2 x 2-1/2 x 9	3	1	-	-	-
2 x 2-1/2 x 12	-	2	-	2	-
2 x 3 x 11	-	2	-	2	-
2-1/2 x 3x 7A	2	1	1	-	-
2-1/2 x 3 x 7B	2	1	-	-	-
2-1/2 x 3 x 9	3	2	2	-	2
2-1/2 x 3 x 12	-	3	3	2	2
3 x 4 x 9A	3	2	-	-	-
3 x 4 x 9B	3	2	-	-	-
3 x 4 x 11	-	2	-	2	-
3 x 4 x 12	-	3	3	2	2
4 x 4 x 7A	2	1	-	-	-
4 x 4 x 7B	2	1	1	-	-
4 x 5 x 9A	3	2	-	-	-
4 x 5 x 9B	-	2	2	-	2
4 x 5 x 11	-	3	-	2	-
4 x 5 x 12	-	3	3	2	2
5 x 6 x 11	-	3	-	2	-
5 x 6 x 12	-	3	3	3	2
6 x 6 x 9	-	2	2	2	2
6 x 6 x 11	-	3	-	2	-
6 x 6 x 11A	-	3	-	2	-
6 x 6 x 12	-	3	-	3	-
6 x 6 x 12A	-	3	-	-	-
6 x 8 x 15	-	21	-	21	-
8 x 10 x 15	-	21	-	21	-

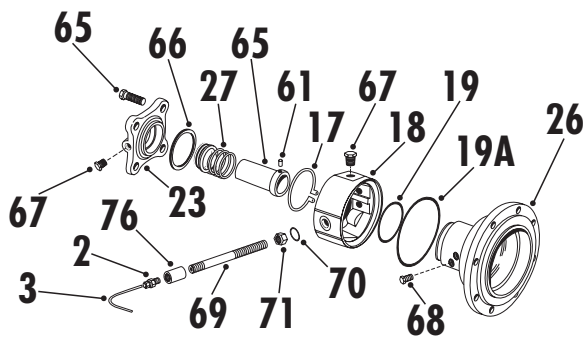
Determine power frame size from chart above based on the pump size and operating speed.

- Power frame no. 1 – use (S) parts
- Power frame no. 2 – use (L) parts
- Power frame no. 3 – use (L) parts
- Power frame no. 21 – use PF21 parts

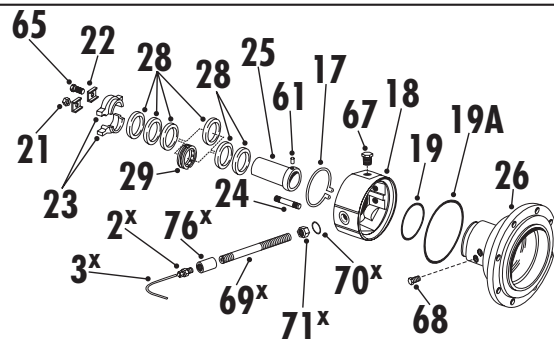
MODEL 361A
 PIECE NUMBERS



x THESE PARTS ARE USED ON PUMPS WITH LANTERN RING ONLY. IF PUMP IS NOT EQUIPPED WITH A LANTERN RING, ADDITIONAL PLUG (67) IS USED.

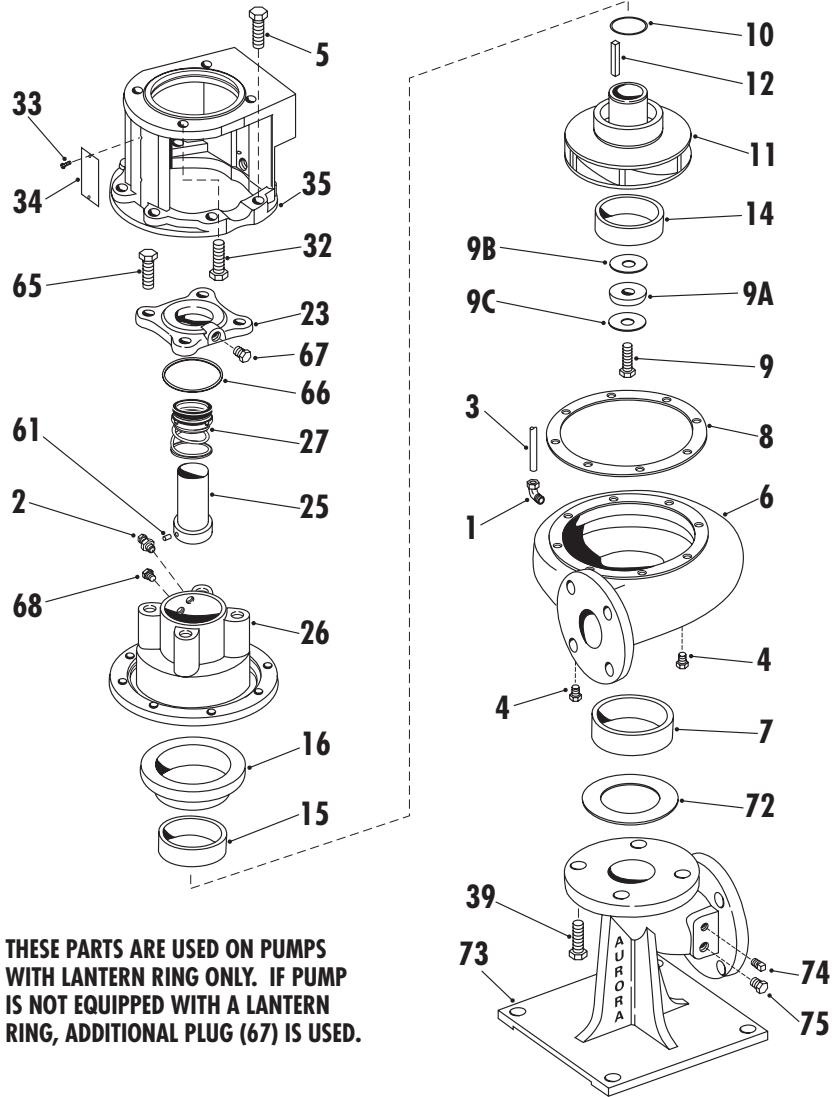


MECHANICAL SEAL WITH WATER JACKET

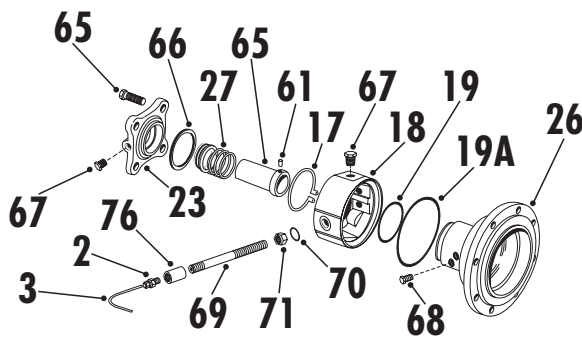


PACKING WITH LANTERN RING AND WATER JACKET

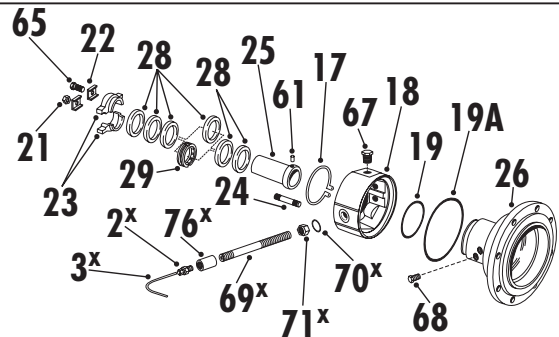
MODEL 362A
PIECE NUMBERS



X THESE PARTS ARE USED ON PUMPS WITH LANTERN RING ONLY. IF PUMP IS NOT EQUIPPED WITH A LANTERN RING, ADDITIONAL PLUG (67) IS USED.

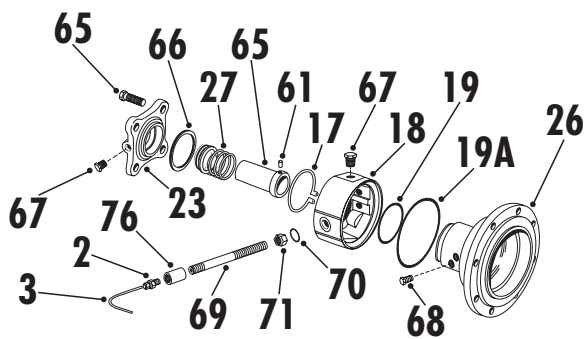
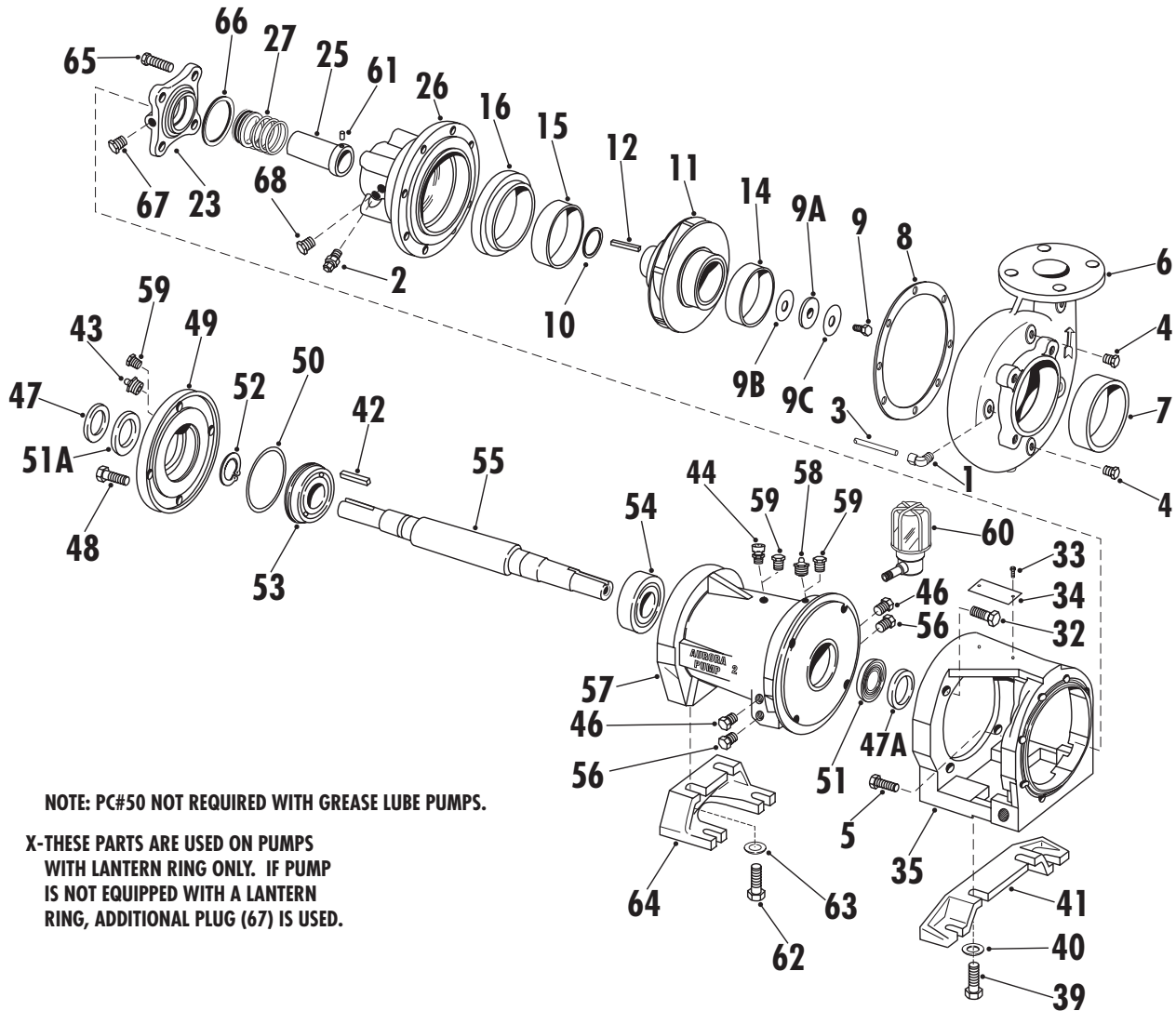


MECHANICAL SEAL WITH WATER JACKET

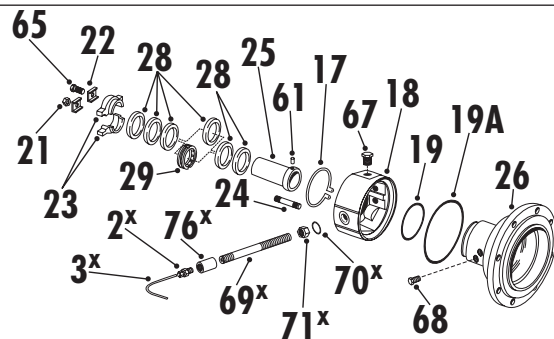


PACKING WITH LANTERN RING AND WATER JACKET

MODEL 364A
 PIECE NUMBERS



MECHANICAL SEAL WITH WATER JACKET

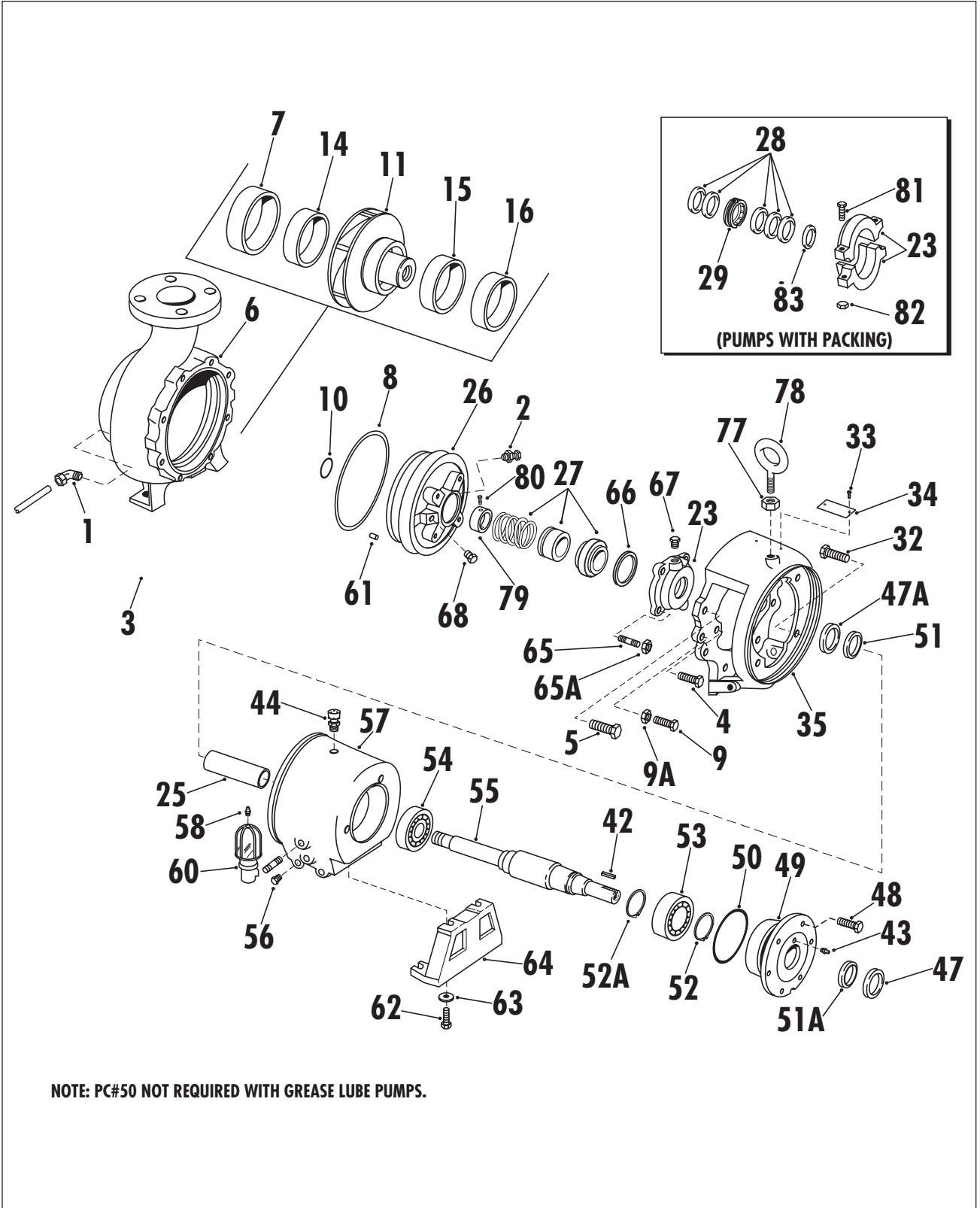


PACKING WITH LANTERN RING AND WATER JACKET

**360A SERIES
ANSI – MODEL 364A
6 x 8 x 15 & 8 x 10 x 15
PIECE NUMBERS**

**SECTION 360P PAGE 7
DATED FEBRUARY 2011**

**SUPERSEDES 360P PAGE 7
DATED JUNE 1998**



360A SERIES
MODELS 361A - 362A - 364A
1-1/4 x 1-1/2 x 7 – 4 x 4 x 7

PARTS LIST

PC. NO.	DESCRIPTION	QTY	PART NO.	MATERIAL			
				B.F.	A.B.	A.I.	S.S.
1	COMPRESSION ELBOW	1	868-3360	190	190	087	104
2	COMPRESSION CONNECTOR	1	868-3359	190	190	087	104
3	TUBING	1	872-0124	175	175	087	104
4	PIPE PIPE PLUG	3	600-0002	087	190	087	104
5	CAPSCREW	8	168-0391	082	190	082	104
6	CASING						
	1-1/4 x 1-1/2 x 7	1	180-2138	010	208	010	104
	1-1/2 x 2 x 7	1	180-2140	010	208	010	104
	2 x 2-1/2 x 7A & B	1	180-2142	010	208	010	104
	2-1/2 x 3 x 7A & B	1	180-2144	010	208	010	104
	4 x 4 x 7A & B	1	180-2146	010	208	010	104
	VERTICAL						
	1-1/4 x 1-1/2 x 7	1	180-2196	010	208	010	104
	1-1/2 x 2 x 7	1	180-2197	010	208	010	104
6	SEMI-OPEN IMPELLER PUMPS						
	CASING						
	1-1/4 x 1-1/2 x 7	1	180-2139	642	643	642	646
	1-1/2 x 2 x 7	1	180-2141	642	643	642	646
	2 x 2-1/2 x 7	1	180-2143	642	643	642	646
	2-1/2 x 3 x 7A	1	180-2145	642	643	642	646
	4 x 4 x 7B	1	180-2147	642	643	642	646
7	CASE RING						
	1-1/4 x 1-1/2 x 7	1	676-1150	208	208	010	104
	1-1/2 x 2 x 7	1	676-1151	208	208	010	104
	2 x 2-1/2 x 7A & B	1	676-1152	208	208	010	104
	2-1/2 x 3 x 7A & B	1	676-1152	208	208	010	104
	4 x 4 x 7A & B	1	676-1154	208	208	010	104
8	GASKET	1	364-1014	603	603	603	603
9	CAPSCREW (S)	1	168-0382	113	104	113	104
	(L)	1	168-0490	113	104	113	104
9A	WASHER (S)	1	908-0603	087	101	087	101
	(L)	1	908-0604	087	101	087	101
9B	GASKET (S)	1	364-2034	603	603	603	603
	(L)	1	364-2035	603	603	603	603
9C	CAPSCREW (S)	1	908-1290	999	118	999	118
	SEAL (L)	1	908-1292	999	118	999	118
10	O-RING (S)	1	364-0409	457	457	457	457
	(L)	1	364-0414	457	457	457	457
11	IMPELLER (S)						
	1-1/4 x 1-1/2 x 7	1	443-0407	225	225	010	104
	1-1/2 x 2 x 7	1	443-0409	225	225	010	104
	2 x 2-1/2 x 7A	1	443-0411	225	225	010	104
	2 x 2-1/2 x 7B	1	443-0415	225	225	010	104
	2-1/2 x 3 x 7A	1	443-2034	225	225	010	104
	2-1/2 x 3 x 7B	1	443-0417	225	225	010	104
	4 x 4 x 7A	1	443-0425	225	225	010	104
	4 x 4 x 7B	1	443-0423	225	225	010	104
11	IMPELLER (L)						
	2 x 2-1/2 x 7A	1	443-0413	225	225	010	104
	2 x 2-1/2 x 7B	1	443-2184	225	225	010	104
	2-1/2 x 3 x 7A	1	443-2035	225	225	010	104
	2-1/2 x 3 x 7B	1	443-0419	225	225	010	104
	4 x 4 x 7A	1	443-0427	225	225	010	104
	4 x 4 x 7B	1	443-0472	225	225	010	104

PC. NO.	DESCRIPTION	QTY	PART NO.	MATERIAL			
				B.F.	A.B.	A.I.	S.S.
11A	IMPELLER (S)*						
	1-1/4 x 1-1/2 x 7	1	443-0408	225	225	010	104
	1-1/2 x 2 x 7	1	443-0410	225	225	010	104
	2 x 2-1/2 x 7A	1	443-0412	225	225	010	104
	2 x 2-1/2 x 7B	1	443-0416	225	225	010	104
	2-1/2 x 3 x 7A	1	443-1775	225	225	010	104
	2-1/2 x 3 x 7B	1	443-0418	225	225	010	104
	4 x 4 x 7A	1	443-0426	225	225	010	104
	4 x 4 x 7B	1	443-0424	225	225	010	104
11A	IMPELLER (L)*						
	2 x 2-1/2 x 7A	1	443-0414	225	225	010	104
	2 x 2-1/2 x 7B	1	443-2185	225	225	010	104
	2-1/2 x 3 x 7A	1	443-1776	225	225	010	104
	2-1/2 x 3 x 7B	1	443-0420	225	225	010	104
	4 x 4 x 7A	1	443-0428	225	225	010	104
	4 x 4 x 7B	1	443-0471	225	225	010	104
11	SEMI-OPEN IMPELLER PUMPS						
	1-1/4 x 1-1/2 x 7	1	443-1831	208	208	010	104
	1-1/2 x 2 x 7	1	443-1834	208	208	010	104
	2 x 2-1/2 x 7A	1	443-2049	208	208	010	104
	2-1/2 x 3 x 7A	1	443-2051	208	208	010	104
	4 x 4 x 7B	1	443-2053	208	208	010	104
12	IMPELLER KEY (S)	1	472-0201	087	087	087	087
	(L)	1	472-0247	087	087	087	087
14	IMPELLER RING (OPTIONAL)						
	1-1/4 x 1-1/2 x 7	1	676-1145	208	208	010	104
	1-1/2 x 2 x 7	1	676-1146	208	208	010	104
	2 x 2-1/2 x 7A & B	1	676-1133	208	208	010	104
	2-1/2 x 3 x 7A & B	1	676-1133	208	208	010	104
	4 x 4 x 7A & B	1	676-1140	208	208	010	104
15	IMPELLER RING (OPTIONAL)						
	2 x 2-1/2 x 7A - 4 x 4 x 7B	1	676-1133	208	208	010	104
16	WEAR RING						
	2 x 2-1/2 x 7A - 4 x 4 x 7B (S)	1	676-0003	208	208	010	104
	2 x 2-1/2 x 7A - 4 x 4 x 7B (L)	1	676-1148	208	208	010	104
17	RETAINING RING (S)	1	676-0946	088	088	088	088
	(L)	1	676-0947	088	088	088	088
18	JACKET PACKING (S)	1	460-0006	010	010	010	010
	JACKET SEALS (S)	1	460-0007	010	010	010	010
	JACKET PACKING (L)	1	460-0008	010	010	010	010
	JACKET SEALS (L)	1	460-0009	010	010	010	010
19	GASKET (S)	1	364-0423	457	457	457	457
	GASKET (L)	1	364-0426	457	457	457	457
19A	GASKET (S)	1	364-0438	457	457	457	457
	GASKET (L)	1	364-0441	457	457	457	457
20	CAPSCREW						
21	NUT	2	544-0113	082	190	082	104
22	CLAMP	2	204-0116	360	190	360	104
23	GLAND PACKING (S)	1	372-0376	010	208	010	104
	JC1, JC2, JC9B, JC21	1	372-0378	010	208	010	104
	JC9	1	372-0379	010	208	010	104

*MACHINED FOR OPTIONAL RING NUMBERS 14 & 15

360A SERIES
MODELS 361A - 362A - 364A
1-1/4 x 1-1/2 x 7 – 4 x 4 x 7

SECTION 360P PAGE 9
 DATED FEBRUARY 2013

SUPERSEDES 360P PAGE 9
 DATED FEBRUARY 2011

PARTS LIST

PC. NO.	DESCRIPTION	QTY	PART NO.	MATERIAL				
				B.F.	A.B.	A.I.	S.S.	
23	JC21 DOUBLE	1	372-0380	010	208	010	104	
	DURA RO-ROTT	1	372-0381	010	208	010	104	
	DURA PTO-PT	1	372-0382	010	208	010	104	
	DURA CRO	1	372-0383	010	208	010	104	
	GLAND PACKING (L)	1	372-0377	010	208	010	104	
	JC1, JC2, JC9B, JC21	1	372-0384	010	208	010	104	
	JC9	1	372-0385	010	208	010	104	
	JC21 DOUBLE	1	372-0386	010	208	010	104	
	DURA RO-ROTT	1	372-0387	010	208	010	104	
	DURA PTO-PT	1	372-0388	010	208	010	104	
	DURA CRO	1	372-0389	010	208	010	104	
	24	STUD	2	803-0313	082	190	082	104
	25	SLEEVE PACKING (S)	1	756-0517	208	208	108	108
JC1		1	756-0511	208	208	104	104	
JC2, JC21		1	756-0512	208	208	104	104	
DURA RO-ROTT, JC9		1	756-0513	208	208	104	104	
JC9B		1	756-0514	208	208	104	104	
DURA CRO, JC21 DOUBLE		1	756-0515	208	208	104	104	
DURA PTO-PT		1	756-0516	208	208	104	104	
SLEEVE PACKING (L)		1	756-0524	208	208	108	108	
JC1		1	756-0518	208	208	104	104	
JC2, JC21		1	756-0519	208	208	104	104	
DURA RO-ROTT, JC9		1	756-0520	208	208	104	104	
JC9B		1	756-0521	208	208	104	104	
DURA CRO, JC21 DOUBLE		1	756-0523	208	208	104	104	
DURA PTO-PT		1	756-0522	208	208	104	104	
26		COVER (STANDARD) (S)	1	812-0319	010	208	010	104
	COVER (L)	1	812-0320	010	208	010	104	
	JACKETED (S)	1	812-0336	010	208	010	104	
	COVER (L)	1	812-0337	010	208	010	104	
27	MECHANICAL SEALS (S)							
	JC1	1	712-0354	753	764	753	764	
	JC2	1	712-0613	753	764	753	764	
	JC9	1	712-1107	762	762	762	762	
	JC9B	1	712-1417	762	762	762	762	
	JC21 (STANDARD)	1	712-0907	753	764	753	764	
	JC21 DOUBLE	1	712-2732	753	764	753	764	
	DURA RO-ROTT	1	712-3591	773	776	773	776	
	DURA PTO-PT	1	712-4377	773	776	773	776	
	DURA CRO	1	712-5414	773	776	773	776	
	MECHANICAL SEALS (L)							
	JC1	1	712-0359	753	764	753	764	
	JC2	1	712-0619	753	764	753	764	
	JC9	1	712-1111	762	762	762	762	
	JC9B	1	712-1413	762	762	762	762	
	JC21 (STANDARD)	1	712-0910	753	764	753	764	
	JC21 DOUBLE	1	712-2735	753	764	753	764	
	DURA RO-ROTT	1	712-3587	773	776	773	776	
	DURA PTO-PT	1	712-4373	773	776	773	776	
	DURA CRO	1	712-5415	773	776	773	776	
28	PACKING (S)	6	564-0113	802	802	802	802	
	(L)	6	564-0110	802	802	802	802	
29	LANTERN RING (S)	1	676-0008	512	512	512	512	
	(L)	1	676-0009	512	512	512	512	

PC. NO.	DESCRIPTION	QTY	PART NO.	MATERIAL					
				B.F.	A.B.	A.I.	S.S.		
32	CAPSCREW (S)	4	168-0386	082	082	082	082		
		4	168-0492	082	082	082	082		
33	U DRIVE SCREW	2	708-0013	365	365	365	365		
34	NAMEPLATE	1	532-0045	114	114	114	114		
35	BRACKET (FR 143JP - 184JP AND POWER FRAME #1) (S) (FR 213JP - 256JP AND POWER FRAME #2) (L) (FR 284 JP - 326JP)	1	116-0078	010	010	010	010		
		1	116-0079	010	010	010	010		
		1	116-0478	010	010	010	010		
		3	168-0488	082	082				
39	CAPSCREW (361A)(S) (L) NOT REQUIRED CAPSCREW (362A) 1-1/4 x 1-1/2 x 7 1-1/2 x 2 x 7 2 x 2-1/2 x 7A & B 2-1/2 x 3 x 7A & B 4 x 4 x 7A & B CAPSCREW (364A) POWER FRAME #1 POWER FRAME #2	3	168-0488	082	082				
		4	168-0490	082	190	082	104		
		4	168-0560	082	190	082	104		
		4	168-0562	082	190	082	104		
		4	168-0562	082	190	082	104		
		4	168-0564	082	190	082	104		
		3	168-0488	082	082	082	082		
		2	168-0490	082	082	082	082		
		40	WASHER (361A)(S) (L) (362A) (364A) POWER FRAME #1 & #2	3	908-0114	080	080	080	080
3	908-0114			080	080	080	080		
41	SUPPORT (361A) (S) (L) (362A) (364A) POWER FRAME #1 POWER FRAME #2	1	820-0184	010	010	010	010		
		1	820-1441	087	087	087	087		
		1	820-0186	010	010	010	010		
42	DRIVE KEY (364A) POWER FRAME #1 POWER FRAME #2	1	472-0206	087	087	087	087		
		1	472-0247	087	087	087	087		
43	GREASE FITTING POWER FRAME #1 & #2	1	508-0005	651	651	651	651		
44	VENT TUBE	1	864-0051	656	656	656	656		
46	PIPE PLUG (GREASE) (OIL)	2	624-0010	503	503	503	503		
		1	600-0001	087	190	087	104		
47	SLINGER (364A) POWER FRAME #1 POWER FRAME #2	1	764-1015	478	478	478	478		
		1	764-1021	478	478	478	478		
47A	SLINGER (364A) POWER FRAME #1 POWER FRAME #2	1	764-1015	478	478	478	478		
		1	764-1021	478	478	478	478		
48	CAPSCREW POWER FRAME #1 POWER FRAME #2	4	168-0388	082	082	082	082		
		4	168-0492	082	082	082	082		

360A SERIES
MODELS 361A - 362A - 364A
1-1/4 x 1-1/2 x 7 - 4 x 4 x 7

PARTS LIST

PC. NO.	DESCRIPTION	QTY	PART NO.	MATERIAL			
				B.F.	A.B.	A.I.	S.S.
49	BEARING CAP						
	POWER FRAME #1	1	164-0470	010	010	010	010
	POWER FRAME #2	1	164-0471	010	010	010	010
50	O-RING (OIL LUBE)						
	POWER FRAME #1	1	364-0423	457	457	457	457
	POWER FRAME #2	1	364-0432	457	457	457	457
51	SEAL (GREASE)						
	POWER FRAME #1	1	712-0231	653	653	653	653
	POWER FRAME #2	1	712-0233	653	653	653	653
	OIL LUBE						
	POWER FRAME #1	1	712-0016	653	653	653	653
51A	SEAL (GREASE)						
	POWER FRAME #1	1	712-0231	653	653	653	653
	POWER FRAME #2	1	712-0233	653	653	653	653
	OIL LUBE						
	POWER FRAME #1	1	712-0016	653	653	653	653
52	RET. RING						
	POWER FRAME #1	1	676-0929	088	088	088	088
	POWER FRAME #2	1	676-0938	088	088	088	088
53	O.B. BEARING						
	POWER FRAME #1						
	STANDARD OPEN	1	068-2206	647			647
	SEALED PERM LUBE	1	068-2219	647			647
	POWER FRAME #2						
	STANDARD OPEN	1	068-2308	647			647
	SEALED PERM LUBE	1	068-2220	647			647
	SEMI-OPEN IMPELLER PUMPS						
POWER FRAME #1	1	068-2506	647	647	647	647	
54	I.B. BEARING						
	POWER FRAME #1						
	STANDARD OPEN	1	068-1907	647	647		
	SEALED PERM LUBE	1	068-0114	647	647		
	POWER FRAME #2						
	STANDARD OPEN	1	068-0159	647	647		
	SEALED PERM LUBE	1	068-2018	647	647		
	SEMI-OPEN IMPELLER PUMPS						
POWER FRAME #1	1	068-1932	647	647	647	647	
55	SHAFT						
	POWER FRAME #1	1	728-4984	063	063	063	104
	POWER FRAME #2	1	728-4985	063	063	063	104
	SEMI-OPEN IMPELLER PUMPS						
56	PIPE PLUG (GREASE)	2	624-0010	503	503	503	503
	(OIL)	2	600-0002	087	190	087	104
57	FRAME						
	OIL LUBE						
	POWER FRAME #1	1	356-0231	010	010		
	POWER FRAME #2	1	356-0232	010	010		
	GREASE						
POWER FRAME #1	1	356-0201	010	010			
POWER FRAME #2	1	356-0202	010	010			

PC. NO.	DESCRIPTION	QTY	PART NO.	MATERIAL			
				B.F.	A.B.	A.I.	S.S.
58	GREASE FITTING	1	508-0001	651	651	651	651
59	PIPE PIPE PLUG	2	600-0001	087	087	087	087
60	OILER	1	522-0029	652	652	652	652
61	PIN	INCLUDED WITH NO. 25					
62	CAPSCREW						
	POWER FRAME #1	1	168-0490	082	082	082	082
	POWER FRAME #2	2	168-0490	082	082	082	082
63	WASHER						
	POWER FRAME #1	1	908-0114	080	080	080	080
	POWER FRAME #2	1	908-0114	080	080	080	080
64	SUPPORT						
	POWER FRAME #1	1	820-0187	010	010	010	010
	POWER FRAME #2	1	820-0188	010	010	010	010
65	CAPSCREW (PACKING)	2	168-0496	082	190	082	104
	(SEALS)	4	168-0492	082	190	082	104
66	GASKET (S)	1	364-2021	614	614	614	614
	GASKET (L)	1	364-2022	614	614	614	614
67	PIPE PLUG	2	600-0002	087	190	087	104
68	PIPE PLUG	2	600-0002	087	087	087	087
69	NIPPLE	1	600-2291	079	190	079	104
70	SEAL	1	564-0301	802	802	802	802
71	LOCKNUT	1	544-0951	087	087	087	087
72	GASKET (362A)						
	1-1/4 x 1-1/2 x 7	1	364-0602	603	603	603	603
	1-1/2 x 2 x 7	1	364-0603	603	603	603	603
	2 x 2-1/2 x 7A & B	1	364-0604	603	603	603	603
	2-1/2 x 3 x 7A & B	1	364-0605	603	603	603	603
	4 x 4 x 7A & B	1	364-0607	603	603	603	603
73	BASE (362A)						
	1-1/4 x 1-1/2 x 7	1	816-1102	010	208	010	104
	1-1/2 x 2 x 7	1	816-1103	010	208	010	104
	2 x 2-1/2 x 7A & B	1	816-1104	010	208	010	104
	2-1/2 x 3 x 7A & B	1	816-1105	010	208	010	104
	4 x 4 x 7A & B	1	816-1106	010	208	010	104
74	PIPE PLUG (362A)	1	600-0002	087	190	087	104
75	PIPE PLUG (362A)						
	1-1/4 x 1-1/2 x 7	1	600-0002	087	190	087	104
	1-1/2 x 2 x 7	1	600-0003	087	190	087	104
	2 x 2-1/2 x 7A & B	1	600-0003	087	190	087	104
	2-1/2 x 3 x 7A & B	1	600-0004	028	190	028	104
	4 x 4 x 7A & B	1	600-0004	028	190	028	104
76	COUPLING	1	600-0721	387	387	387	387

360A SERIES
MODELS 361A - 362A - 364A
1-1/4 x 1-1/2 x 9B – 6 x 6 x 9

SECTION 360P PAGE 11
 DATED FEBRUARY 2011

SUPERSEDES 360P PAGE 11
 DATED JUNE 1998

PARTS LIST

PC. NO.	DESCRIPTION	QTY	PART NO.	MATERIAL			
				B.F.	A.B.	A.I.	S.S.
1	COMPRESSION ELBOW	1	868-3660	190	190	087	104
2	COMPRESSION CONNECTOR	1	868-3359	190	190	087	104
3	TUBING	1	872-0124	175	175	087	104
4	PIPE PIPE PLUG	3	600-0002	087	190	087	104
5	CAPSCREW COVER (S)	8	168-0381	082	190	082	104
	CAPSCREW CASING (S)	8	168-0489	082	190	082	104
	CAPSCREW CASING (L)	8	168-0495	082	082	082	104
6	CASING						
	1-1/4 x 1-1/2 x 9B	1	180-2148	010	208	010	104
	1-1/2 x 2 x 9A	1	180-2149	010	208	010	104
	1-1/2 x 2 x 9B	1	180-2149	010	208	010	104
	1-1/2 x 2 x 9C	1	180-2151	010	208	010	104
	2 x 2-1/2 x 9	1	180-2152	010	208	010	104
	2-1/2 x 3 x 9	1	180-2153	010	208	010	104
	3 x 4 x 9A & B	1	180-2351	010	208	010	104
	4 x 5 x 9A	1	180-2156	010	208	010	104
	4 x 5 x 9B	1	180-2157	010	208	010	104
	6 x 6 x 9	1	180-2159	010	208	010	104
	VERTICAL						
	1-1/4 x 1-1/2 x 9B	1	180-2198	010	208	010	104
	1-1/2 x 2 x 9A	1	180-2199	010	208	010	104
	1-1/2 x 2 x 9B	1	180-2199	010	208	010	104
1-1/2 x 2 x 9C	1	180-2200	010	208	010	104	
6	SEMI-OPEN IMPELLER PUMPS						
	CASING						
	1-1/2 x 2 x 9A	1	180-2150	642	643	642	646
	2-1/2 x 3 x 9	1	180-2154	642	643	642	646
	4 x 5 x 9B	1	180-2158	642	643	642	646
6 x 6 x 9	1	180-2160	642	643	642	646	
7	CASE RING						
	1-1/4 x 1-1/2 x 9B	1	676-1150	208	208	010	104
	1-1/2 x 2 x 9	1	676-1151	208	208	010	104
	2 x 2-1/2 x 9	1	676-1152	208	208	010	104
	2-1/2 x 3 x 9	1	676-1152	208	208	010	104
	3 x 4 x 9A & B	1	676-1154	208	208	010	104
	4 x 5 x 9A	1	676-1154	208	208	010	104
	4 x 5 x 9B	1	676-1155	208	208	010	104
6 x 6 x 9	1	676-1155	208	208	010	104	
8	GASKET	1	364-1015	603	603	603	603
9	CAPSCREW (S)	1	168-0382	113		113	
	(S)	1	168-1612		104		104
	CAPSCREW (L)	1	168-0490	113		113	
	(L)	1	168-1623		104		104
9A	WASHER (S)	1	908-0603	087	101	087	101
	(L)	1	908-0604	087	101	087	101
9B	GASKET (S)	1	364-2034	603	603	603	603
	(L)	1	364-2035	603	603	603	603
9C	CAPSCREW (S)	1	908-1290	999	NR	999	NR
	SEAL (L)	1	908-1292	999	NR	999	NR

PC. NO.	DESCRIPTION	QTY	PART NO.	MATERIAL				
				B.F.	A.B.	A.I.	S.S.	
10	O-RING	(S)	1	364-0409	457	457	457	457
		(L)	1	364-0414	457	457	457	457
11	IMPELLER (S)							
	1-1/4 x 1-1/2 x 9B	1	443-0431	225	225	010	104	
	1-1/2 x 2 x 9A	1	443-0437	225	225	010	104	
	1-1/2 x 2 x 9B	1	443-0435	225	225	010	104	
	1-1/2 x 2 x 9C	1	443-0437	225	225	010	104	
	2 x 2-1/2 x 9	1	443-0441	225	225	010	104	
	2-1/2 x 3 x 9	1	443-0445	225	225	010	104	
3 x 4 x 9A	1	443-1766	225	225	010	104		
3 x 4 x 9B	1	443-1762	225	225	010	104		
11	IMPELLER (L)							
	1-1/2 x 2 x 9C	1	443-0439	225	225	010	104	
	2 x 2-1/2 x 9	1	443-0443	225	225	010	104	
	2-1/2 x 3 x 9	1	443-0447	225	225	010	104	
	3 x 4 x 9A	1	443-1768	225	225	010	104	
	3 x 4 x 9B	1	443-1764	225	225	010	104	
	4 x 5 x 9A	1	443-1752	225	225	010	104	
	4 x 5 x 9B	1	443-0459	225	225	010	104	
	6 x 6 x 9	1	443-0467	225	225	010	104	
11A	IMPELLER (S)*							
	1-1/4 x 1-1/2 x 9B	1	443-0432	225	225	010	104	
	1-1/2 x 2 x 9A	1	443-0438	225	225	010	104	
	1-1/2 x 2 x 9B	1	443-0436	225	225	010	104	
	1-1/2 x 2 x 9C	1	443-0438	225	225	010	104	
	2 x 2-1/2 x 9	1	443-0442	225	225	010	104	
	2-1/2 x 3 x 9	1	443-0446	225	225	010	104	
3 x 4 x 9A	1	443-1767	225	225	010	104		
3 x 4 x 9B	1	443-1763	225	225	010	104		
11A	IMPELLER (L)*							
	1-1/2 x 2 x 9C	1	443-0440	225	225	010	104	
	2 x 2-1/2 x 9	1	443-0444	225	225	010	104	
	2-1/2 x 3 x 9	1	443-0448	225	225	010	104	
	3 x 4 x 9A	1	443-1769	225	225	010	104	
	3 x 4 x 9B	1	443-1765	225	225	010	104	
	4 x 5 x 9A	1	443-1753	225	225	010	104	
4 x 5 x 9B	1	443-0460	225	225	010	104		
6 x 6 x 9	1	443-0468	225	225	010	104		
11	SEMI-OPEN IMPELLER PUMPS							
	1-1/2 x 2 x 9A (1150)	1	443-1835	208	208	010	104	
	1-1/2 x 2 x 9A (1750)	1	443-2048	208	208	010	104	
	2-1/2 x 3 x 9	1	443-2057	208	208	010	104	
	4 x 5 x 9B	1	443-2061	208	208	010	104	
6 x 6 x 9	1	443-2063	208	208	010	104		

*MACHINED FOR OPTIONAL RING NUMBERS 14 & 15

360A SERIES
MODELS 361A - 362A - 364A
1-1/4 x 1-1/2 x 9B – 6 x 6 x 9

PARTS LIST

PC. NO.	DESCRIPTION	QTY	PART NO.	MATERIAL			
				B.F.	A.B.	A.I.	S.S.
12	IMPELLER KEY (S)	1	472-0201	087	087	087	087
	(L)	1	472-0247	087	087	087	087
14	IMPELLER RING (OPTIONAL)						
	1-1/4 x 1-1/2 x 9B	1	676-1145	208	208	010	104
	1-1/2 x 2 x 9	1	676-1146	208	208	010	104
	2 x 2-1/2 x 9	1	676-1133	208	208	010	104
	2-1/2 x 3 x 9	1	676-1133	208	208	010	104
	3 x 4 x 9A & B	1	676-1140	208	208	010	104
	4 x 5 x 9A	1	676-1140	208	208	010	104
	4 x 5 x 9B	1	676-1141	208	208	010	104
6 x 6 x 9	1	676-1141	208	208	010	104	
15	IMPELLER RING (OPTIONAL)						
	2 x 2-1/2 x 9	1	676-1133	208	208	010	104
	2-1/2 x 3 x 9	1	676-1133	208	208	010	104
	3 x 4 x 9A & B	1	676-1156	208	208	010	104
	4 x 5 x 9A	1	676-1156	208	208	010	104
	4 x 5 x 9B	1	676-1156	208	208	010	104
	6 x 6 x 9	1	676-1156	208	208	010	104
16	WEAR RING (S)						
	2 x 2-1/2 x 9	1	676-1148	208	208	010	104
	2-1/2 x 3 x 9	1	676-1148	208	208	010	104
	WEAR RING (L)						
	2 x 2-1/2 x 9	1	676-1148	208	208	010	104
	2-1/2 x 3 x 9	1	676-1148	208	208	010	104
	3 x 4 x 9A & B	1	676-1149	208	208	010	104
	4 x 5 x 9A & B	1	676-1149	208	208	010	104
6 x 6 x 9	1	676-1149	208	208	010	104	
17	RETAINING RING (S)	1	676-0946	088	088	088	088
	(L)	1	676-0947	088	088	088	088
18	JACKET PACKING (S)	1	460-0006	010	010	010	010
	JACKET SEALS (S)	1	460-0007	010	010	010	010
	JACKET PACKING (L)	1	460-0008	010	010	010	010
	JACKET SEALS (L)	1	460-0009	010	010	010	010
19	GASKET (S)	1	364-0423	457	457	457	457
	(L)	1	364-0426	457	457	457	457
19A	GASKET (S)	1	364-0438	457	457	457	457
	(L)	1	364-0441	457	457	457	457
20	CAPSCREW (S)	8	618-0386	082	190	082	104
	(L)		NOT REQUIRED				
21	NUT	2	544-0113	082	190	082	104
22	CLAMP	2	204-0116	360	190	360	104
23	GLAND PACKING (S)	1	372-0376	010	208	010	104
	JC1, JC2, JC9B, JC21	1	372-0378	010	208	010	104
	JC9	1	372-0379	010	208	010	104
	JC21 DOUBLE	1	372-0380	010	208	010	104
	DURA RO-ROTT	1	372-0381	010	208	010	104
	DURA PTO-PT	1	372-0382	010	208	010	104
	DURA CRO	1	372-0383	010	208	010	104

PC. NO.	DESCRIPTION	QTY	PART NO.	MATERIAL			
				B.F.	A.B.	A.I.	S.S.
23	GLAND PACKING (L)	1	372-0377	010	208	010	104
	JC1, JC2, JC9B, JC21	1	372-0384	010	208	010	104
	JC9	1	372-0385	010	208	010	104
	JC21 DOUBLE	1	372-0386	010	208	010	104
	DURA RO-ROTT	1	372-0387	010	208	010	104
	DURA PTO-PT	1	372-0388	010	208	010	104
	DURA CRO	1	372-0389	010	208	010	104
24	STUD	2	803-0313	082	190	082	104
25	SLEEVE PACKING (S)	1	756-0517	208	208	108	108
	JC1	1	756-0511	208	208	104	104
	JC2, JC21	1	756-0512	208	208	104	104
	DURA RO-ROTT, JC9	1	756-0513	208	208	104	104
	JC9B	1	756-0514	208	208	104	104
	DURA PTO-PT	1	756-0516	208	208	104	104
	DURA CRO	1	756-0515	208	208	104	104
	JC21 DOUBLE	1	756-0515	208	208	104	104
	SLEEVE PACKING (L)	1	756-0524	208	208	108	108
	JC1	1	756-0518	208	208	104	104
	JC2, JC21	1	756-0519	208	208	104	104
26	DURA RO-ROTT, JC9	1	756-0520	208	208	104	104
	JC9B	1	756-0521	208	208	104	104
	DURA CRO, JC21 DOUBLE	1	756-0523	208	208	104	104
	DURA PTO-PT	1	756-0522	208	208	104	104
	COVER (STD) (S)	1	812-0321	010	208	010	104
	COVER (STD) (L)	1	812-0322	010	208	010	104
27	(JACKETED) (S)	1	812-0338	010	208	010	104
	(JACKETED) (L)	1	812-0339	010	208	010	104
27	MECHANICAL SEALS (S)						
	JC1	1	712-0354	753	764	753	764
	JC2	1	712-0613	753	764	753	764
	JC9	1	712-1107	762	762	762	762
	JC9B	1	712-1417	762	762	762	762
	JC21 (STD)	1	712-0907	753	764	753	764
	JC21 DOUBLE	1	712-2732	753	764	753	764
	DURA RO-ROTT	1	712-3591	773	776	773	776
	DURA PTO-PT	1	712-4377	773	776	773	776
	DURA CRO	1	712-5414	773	776	773	776
	MECHANICAL SEALS (L)						
	JC1	1	712-0359	753	764	753	764
	JC2	1	712-0619	753	764	753	764
	JC9	1	712-1111	762	762	762	762
JC9B	1	712-1413	762	762	762	762	
JC21 (STANDARD)	1	712-0910	753	764	753	764	
JC21 DOUBLE	1	712-2735	753	764	753	764	
DURA RO-ROTT	1	712-3587	773	776	773	776	
DURA PTO-PT	1	712-4373	773	776	773	776	
DURA CRO	1	712-5415	773	776	773	776	

360A SERIES
MODELS 361A - 362A - 364A
1-1/4 x 1-1/2 x 9B – 6 x 6 x 9

SECTION 360P PAGE 13
 DATED FEBRUARY 2011

SUPERSEDES 360P PAGE 13
 DATED JUNE 1998

PARTS LIST

PC. NO.	DESCRIPTION	QTY	PART NO.	MATERIAL					
				B.F.	A.B.	A.I.	S.S.		
28	PACKING (S)	6	564-0113	802	802	802	802		
		(L)	6	564-0110	802	802	802	802	
29	LANTERN RING (S)	1	676-0008	512	512	512	512		
		(L)	1	676-0009	512	512	512	512	
32	CAPSCREW (FR 143JP - 184JP & P.F. #1)	(S)	4	168-0386	082	082	082	082	
		(FR 213JP - 256JP & P.F. #2 & #3)	(L)	4	168-0490	082	082	082	082
		(FR 284JP - 326JP)	4	168-0564	082	082	082	082	
33	U DRIVE SCREW	2	708-0013	365	365	365	365		
34	NAMEPLATE	1	532-0045	114	114	114	114		
35	BRACKET (FR 143JP - 184JP & P.F. #1)	(S)	1	116-0078	010	010	010	010	
		(FR 213JP - 256JP & P.F. #2 & #3)	(L)	1	116-0080	010	010	010	
		(FR 284JP - 326JP)	1	116-0081	010	010	010	010	
39	CAPSCREW (361A)	(S)	3	168-0488	082	082	082	082	
		(L)	NOT REQUIRED						
	CAPSCREW (362A)	1-1/4 x 1-1/2 x 9B	4	168-0490	082	190	082	104	
		1-1/2 x 2 x 9A, B & C	4	168-0560	082	190	082	104	
		2 x 2-1/2 x 9	4	168-0562	082	190	082	104	
		2-1/2 x 3 x 9	4	168-0562	082	190	082	104	
		3 x 4 x 9A & B	4	168-0564	082	190	082	104	
		4 x 5 x 9A & B	4	168-0634	082	190	082	104	
		6 x 6 x 9	4	168-0634	082	190	082	104	
	CAPSCREW (364A)								
	POWER FRAME #1	3	168-0488	082	080	082	080		
	POWER FRAME #2 & #3	2	168-0490	082	080	082	080		
	40	WASHER (361A)	(S)	3	908-0114	080	080	080	080
(L)			NOT REQUIRED						
WASHER (362A)		NOT REQUIRED							
WASHER (364A)									
POWER FRAME #1		3	908-0114	080	080	080	080		
POWER FRAME #2 & #3	2	908-0114	080	080	080	080			
41	SUPPORT (361A)	(S)	1	820-0184	010	010	010	010	
		(L)	NOT REQUIRED						
	SUPPORT (362A)	NOT REQUIRED							
	SUPPORT (364A)								
	POWER FRAME #1	1	820-1441	087	087	087	087		
POWER FRAME #2 & #3	1	820-0186	010	010	010	010			
42	DRIVE KEY (344A)								
		POWER FRAME #1	1	472-0206	087	087	087	087	
		POWER FRAME #2 & #3	1	472-0247	087	087	087	087	
43	GREASE FITTING	1	508-0005	651	651	651	651		
44	VENT TUBE	1	864-0051	656	656	656	656		

PC. NO.	DESCRIPTION	QTY	PART NO.	MATERIAL				
				B.F.	A.B.	A.I.	S.S.	
46	PIPE PLUG (GREASE) (OIL)	2	624-0010	503	503	503	503	
		1	600-0002	087	190	087	104	
47	SLINGER (364A)	POWER FRAME #1	1	764-1015	478	478	478	478
		POWER FRAME #2	1	764-1021	478	478	478	478
		POWER FRAME #3	1	764-1021	478	478	478	478
47A	SLINGER (364A)	POWER FRAME #1	1	764-1015	478	478	478	478
		POWER FRAME #2	1	764-1021	478	478	478	478
		POWER FRAME #3	1	764-1026	478	478	478	478
48	CAPSCREW	POWER FRAME #1	4	168-0388	082	082	082	082
		POWER FRAME #2 & #3	4	168-0492	082	082	082	082
49	BEARING CAP	POWER FRAME #1	1	164-0470	010	010	010	010
		POWER FRAME #2	1	164-0471	010	010	010	010
		POWER FRAME #3	1	164-0472	010	010	010	010
50	O-RING (OIL LUBE)	POWER FRAME #1	1	364-0423	457	457	457	457
		POWER FRAME #2	1	364-0432	457	457	457	457
		POWER FRAME #3	1	364-0438	457	457	457	457
51	SEAL (GREASE)	POWER FRAME #1	1	712-0231	653	653	653	653
		POWER FRAME #2	1	712-0233	653	653	653	653
		POWER FRAME #3	1	712-0233	653	653	653	653
	OIL LUBE	POWER FRAME #1	1	712-0016	653	653	653	653
		POWER FRAME #2	1	712-0054	653	653	653	653
		POWER FRAME #3	1	712-0054	653	653	653	653
51A	SEAL (GREASE)	POWER FRAME #1	1	712-0231	653	653	653	653
		POWER FRAME #2	1	712-0233	653	653	653	653
		POWER FRAME #3	1	712-0234	653	653	653	653
	OIL LUBE	POWER FRAME #1	1	712-0016	653	653	653	653
		POWER FRAME #2	1	712-0054	653	653	653	653
POWER FRAME #3	1	712-0056	653	653	653	653		
52	RETAINING RING	POWER FRAME #1	1	676-0929	088	088	088	088
		POWER FRAME #2	1	676-0938	088	088	088	088
		POWER FRAME #3	1	676-0944	088	088	088	088

360A SERIES
MODELS 361A - 362A - 364A
1-1/4 x 1-1/2 x 9B – 6 x 6 x 9

PARTS LIST

PC. NO.	DESCRIPTION	QTY	PART NO.	MATERIAL				
				B.F.	A.B.	A.I.	S.S.	
53	O.B. BEARING							
	POWER FRAME #1							
	STANDARD OPEN	1	068-2206	647	647	647	647	
	SEALED PERM LUBE	1	068-2219	647	647	647	647	
	POWER FRAME #2							
	STANDARD OPEN	1	068-2308	647	647	647	647	
	SEALED PERM LUBE	1	068-2220	647	647	647	647	
	POWER FRAME #3							
	STANDARD OPEN	1	068-2310	647	647	647	647	
	SEALED PERM LUBE	1	068-2221	647	647	647	647	
	SEMI-OPEN IMPELLER PUMPS							
	POWER FRAME #1	1	068-2506	647	647	647	647	
POWER FRAME #2	1	068-2558	647	647	647	647		
54	I.B. BEARING							
	POWER FRAME #1							
	STANDARD OPEN	1	068-1907	647	647	647	647	
	SEALED PERM LUBE	1	068-0114	647	647	647	647	
	POWER FRAME #2							
	STANDARD OPEN	1	068-0159	647	647	647	647	
	SEALED PERM LUBE	1	068-2018	647	647	647	647	
	POWER FRAME #3							
	STANDARD OPEN	1	068-0161	647	647	647	647	
	SEALED PERM LUBE	1	068-2022	647	647	647	647	
	SEMI-OPEN IMPELLER PUMPS							
	POWER FRAME #1	1	068-1932	647	647	647	647	
POWER FRAME #2	1	068-0182	647	647	647	647		
55	SHAFT							
	POWER FRAME #1	1	728-4984	063	063	063	104	
	POWER FRAME #2	1	728-4985	063	063	063	104	
	POWER FRAME #3	1	728-4986	063	063	063	104	
	SEMI-OPEN IMPELLER PUMPS							
	POWER FRAME #1	1	728-4987	063	063	063	104	
	POWER FRAME #2	1	728-4988	063	063	063	104	
56	PIPE PLUG (GREASE)	2	624-0010	503	503	503	503	
	(OIL)	1	600-0002	087	190	087	104	
57	FRAME							
	OIL LUBE							
	POWER FRAME #1	1	356-0231	010	010	010	010	
	POWER FRAME #2	1	356-0232	010	010	010	010	
	POWER FRAME #3	1	356-0233	010	010	010	010	
	GREASE							
	POWER FRAME #1	1	356-0201	010	010	010	010	
	POWER FRAME #2	1	356-0202	010	010	010	010	
	POWER FRAME #3	1	356-0203	010	010	010	010	
58	GREASE FITTING	1	508-0001	651	651	651	651	
59	PIPE PLUG	2	600-0001	087	087	087	087	
60	OILER	1	522-0029	652	652	652	652	
61	PIN	INCLUDED WITH NO. 25						

PC. NO.	DESCRIPTION	QTY	PART NO.	MATERIAL			
				B.F.	A.B.	A.I.	S.S.
62	CAPSCREW						
	POWER FRAME #1	1	168-0490	082	082	082	082
	POWER FRAME #2 & #3	2	168-0490	082	082	082	082
63	WASHER						
	POWER FRAME #1	1	908-0114	080	080	080	080
	POWER FRAME #2 & #3	1	908-0114	080	080	080	080
64	SUPPORT						
	POWER FRAME #1	1	820-0187	010	010	010	010
	POWER FRAME #2 & #3	1	820-0189	010	010	010	010
65	CAPSCREW (PACKING) (SEALS)	2	168-0496	082	190	082	104
		4	168-0492	082	190	082	104
66	GASKET (S)	1	364-2021	614	614	614	614
	(L)	1	364-2022	614	614	614	614
67	PIPE PLUG	2	600-0002	087	190	087	104
68	PIPE PLUG	2	600-0002	087	087	087	087
69	NIPPLE	1	600-2291	079	190	079	104
70	SEAL	1	564-0301	802	802	802	802
71	LOCKNUT	1	544-0951	087	087	087	087
72	GASKET (362A)						
	1-1/4 x 1-1/2 x 9B	1	364-0602	603	603	603	603
	1-1/2 x 2 x 9A, B & C	1	364-0603	603	603	603	603
	2 x 2-1/2 x 9	1	364-0604	603	603	603	603
	2-1/2 x 3 x 9	1	364-0605	603	603	603	603
	3 x 4 x 9A & B	1	364-0607	603	603	603	603
	4 x 5 x 9A & B	1	364-0608	603	603	603	603
	6 x 6 x 9	1	364-0609	603	603	603	603
73	BASE (362A)						
	1-1/4 x 1-1/2 x 9B	1	816-1102	010	208	010	104
	1-1/2 x 2 x 9A, B & C	1	816-1103	010	208	010	104
	2 x 2-1/2 x 9	1	816-1104	010	208	010	104
	2-1/2 x 3 x 9	1	816-1105	010	208	010	104
	3 x 4 x 9A & B	1	816-1106	010	208	010	104
	4 x 5 x 9A & B	1	816-1107	010	208	010	104
	6 x 6 x 9	1	816-1108	010	208	010	104
74	PIPE PLUG (362A)	1	600-0002	087	190	087	104
75	PIPE PLUG (364A)						
	1-1/4 x 1-1/2 x 9B	1	364-0602	603	603	603	603
	1-1/2 x 2 x 9A, B & C	1	364-0603	603	603	603	603
	2 x 2-1/2 x 9	1	364-0603	603	603	603	603
	2-1/2 x 3 x 9	1	364-0604	603	603	603	603
	3 x 4 x 9A & B	1	364-0604	603	603	603	603
	4 x 5 x 9A & B	1	364-0608	603	603	603	603
6 x 6 x 9	1	364-0608	603	603	603	603	
76	COUPLING	1	600-0721	387	387	387	387

360A SERIES
MODELS 361A- 362A - 364A
1-1/2 x 2 x 11 – 6 x 6 x 11A
1-1/2 x 2 x 12 – 6 x 6 x 12A
PARTS LIST

SECTION 360P PAGE 15
DATED FEBRUARY 2011

SUPERSEDES 360P PAGE 15
DATED JUNE 1998

PC. NO.	DESCRIPTION	QTY	PART NO.	MATERIAL			
				B.F.	A.B.	A.I.	S.S.
1	COMPRESSION ELBOW	1	868-3660	190	190	087	104
2	COMPRESSION CONNECTOR	1	868-3359	190	190	087	104
3	TUBING	1	872-0124	175	175	087	104
4	PIPE PIPE PLUG	3	600-0002	087	190	087	104
5	CAPSCREW 11 PUMPS	8	168-0494	082	190	082	104
	6 x 11, 6 x 11A, and 12	8	168-0487	082	190	082	104
6	CASING						
	1-1/2 x 2 x 11	1	180-2353	010	208	010	104
	2 x 3 x 11	1	180-2354	010	208	010	104
	3 x 4 x 11	1	180-2371	010	208	010	104
	4 x 5 x 11	1	180-2356	010	208	010	104
	5 x 6 x 11	1	180-2357	010	208	010	104
	6 x 6 x 11	1	180-2172	010	208	010	104
	6 x 6 x 11A	1	180-2363	010	208	010	104
	1-1/2 x 2 x 12	1	180-2161	010	208	010	104
	2 x 2-1/2 x 12	1	180-2163	010	208	010	104
	2-1/2 x 3 x 12	1	180-2164	010	208	010	104
	3 x 4 x 12	1	180-2166	010	208	010	104
	4 x 5 x 12	1	180-2168	010	208	010	104
	5 x 6 x 12	1	180-2170	010	208	010	104
	6 x 6 x 12	1	180-2172	010	208	010	104
	6 x 6 x 12A	1	180-2363	010	208	010	104
	VERTICAL						
	1-1/2 x 2 x 11	1	180-2457	010	208	010	104
	1-1/2 x 2 x 12	1	180-2201	010	208	010	104
	(SEMI-OPEN)						
	1-1/2 x 2 x 12	1	180-2162	010	208	010	104
	2-1/2 x 3 x 12	1	180-2165	010	208	010	104
	3 x 4 x 12	1	180-2167	010	208	010	104
	4 x 5 x 12	1	180-2169	010	208	010	104
	5 x 6 x 12	1	180-2171	010	208	010	104
7	CASE RING						
	1-1/2 x 2 x 11	1	676-1151	208	208	010	104
	2 x 3 x 11	1	676-1152	208	208	010	104
	3 x 4 x 11	1	676-1154	208	208	010	104
	4 x 5 x 11	1	676-1155	208	208	010	104
	5 x 6 x 11	1	676-1684	208	208	010	104
	6 x 6 x 11	1	676-1684	208	208	010	104
	6 x 6 x 11A	1	676-1684	208	208	010	104
	1-1/2 x 2 x 12	1	676-1151	208	208	010	104
	2 x 2-1/2 x 12	1	676-1152	208	208	010	104
	2-1/2 x 3 x 12	1	676-1152	208	208	010	104
	3 x 4 x 12	1	676-1154	208	208	010	104
	4 x 5 x 12	1	676-1155	208	208	010	104
	5 x 6 x 12	1	676-1684	208	208	010	104
	6 x 6 x 12	1	676-1684	208	208	010	104
	6 x 6 x 12A	1	676-1684	208	208	010	104
8	GASKET 11" PUMPS	1	364-2109	603	603	603	603
	6 x 11, 6 x 11A, 12 PUMPS	1	364-1016	603	603	603	603

PC. NO.	DESCRIPTION	QTY	PART NO.	MATERIAL			
				B.F.	A.B.	A.I.	S.S.
9	CAPSCREW	1	168-0490	113	104	113	104
9A	WASHER	1	908-0604	087	104	087	104
9B	GASKET	1	364-2035	603	603	603	603
9C	CAPSCREW SEAL	1	908-1292	999	118	999	118
10	O-RING	1	364-0414	457	457	457	457
11	IMPELLER						
	1-1/2 x 2 x 11 (S)	1	433-2511	225	225	010	104
	1-1/2 x 2 x 11 (L)	1	443-2513	225	225	010	104
	2 x 3 x 11	1	443-2399	225	225	010	104
	3 x 4 x 11	1	443-2400	225	225	010	104
	4 x 5 x 11	1	443-2401	225	225	010	104
	5 x 6 x 11	1	443-2402	225	225	010	104
	6 x 6 x 11	1	443-2402	225	225	010	104
	6 x 6 x 11A	1	443-2402	225	225	010	104
	1-1/2 x 2 x 12	1	443-1725	225	225	010	104
	2 x 2-1/2 x 12	1	443-1726	225	225	010	104
	2-1/2 x 3 x 12	1	443-1727	225	225	010	104
	3 x 4 x 12	1	443-1728	225	225	010	104
	4 x 5 x 12	1	443-1729	225	225	010	104
	5 x 6 x 12	1	443-1730	225	225	010	104
	6 x 6 x 12	1	443-1732	225	225	010	104
	6 x 6 x 12A	1	443-1732	225	225	010	104
11A	IMPELLER*						
	1-1/2 x 2 x 11 (S)	1	443-2512	225	225	010	104
	1-1/2 x 2 x 11 (L)	1	443-2514	225	225	010	104
	2 x 3 x 11	1	443-2427	225	225	010	104
	3 x 4 x 11	1	443-2428	225	225	010	104
	4 x 5 x 11	1	443-2429	225	225	010	104
	5 x 6 x 11	1	443-2430	225	225	010	104
	6 x 6 x 11	1	443-2430	225	225	010	104
	6 x 6 x 11A	1	443-2430	225	225	010	104
	1-1/2 x 2 x 12	1	443-1739	225	225	010	104
	2 x 2-1/2 x 12	1	443-1740	225	225	010	104
	2-1/2 x 3 x 12	1	443-1741	225	225	010	104
	3 x 4 x 12	1	443-1742	225	225	010	104
	4 x 5 x 12	1	443-1743	225	225	010	104
	5 x 6 x 12	1	443-1744	225	225	010	104
	6 x 6 x 12	1	443-1746	225	225	010	104
	6 x 6 x 12A	1	443-1746	225	225	010	104
11	SEMI-OPEN IMPELLER PUMPS						
	1-1/2 x 2 x 12	1	443-2065	208	208	010	104
	2-1/2 x 3 x 12	1	443-2065	208	208	010	104
	3 x 4 x 12	1	443-2066	208	208	010	104
	4 x 5 x 12	1	443-2067	208	208	010	104
	5 x 6 x 12	1	443-2068	208	208	010	104
12	IMPELLER KEY	1	472-0247	087	104	087	087

*MACHINED FOR OPTIONAL RING NUMBERS 14 & 15

360A SERIES
MODELS 361A- 362A - 364A
1-1/2 x 2 x 11 – 6 x 6 x 11A
1-1/2 x 2 x 12 – 6 x 6 x 12A
PARTS LIST

PC. NO.	DESCRIPTION	QTY	PART NO.	MATERIAL			
				B.F.	A.B.	A.I.	S.S.
14	IMPELLER RING (OPTIONAL)						
	1-1/2 x 2 x 11	1	676-1146	208	208	010	104
	2 x 3 x 11	1	676-1133	208	208	010	104
	3 x 4 x 11	1	676-1140	208	208	010	104
	4 x 5 x 11	1	676-1141	208	208	010	104
	5 x 6 x 11	1	676-1143	208	208	010	104
	6 x 6 x 11	1	676-1143	208	208	010	104
	6 x 6 x 11A	1	676-1143	208	208	010	104
	1-1/2 x 2 x 12	1	676-1146	208	208	010	104
	2 x 2-1/2 x 12	1	676-1133	208	208	010	104
	2-1/2 x 3 x 12	1	676-1133	208	208	010	104
	3 x 4 x 12	1	676-1140	208	208	010	104
	4 x 5 x 12	1	676-1141	208	208	010	104
	5 x 6 x 12	1	676-1143	208	208	010	104
	6 x 6 x 12	1	676-1143	208	208	010	104
	6 x 6 x 12A	1	676-1143	208	208	010	104
	15	IMPELLER RING (OPTIONAL)					
2 x 3 x 11		1	676-1133	208	208	010	104
3 x 4 x 11		1	676-1156	208	208	010	104
4 x 5 x 11		1	676-1156	208	208	010	104
5 x 6 x 11		1	676-1156	208	208	010	104
6 x 6 x 11		1	676-1156	208	208	010	104
6 x 6 x 11A		1	676-1156	208	208	010	104
2 x 2-1/2 x 12		1	676-1133	208	208	010	104
2-1/2 x 3 x 12		1	676-1133	208	208	010	104
3 x 4 x 12 thru 6 x 6 x 12A		1	676-1156	208	208	010	104
16	WEAR RING						
	2 x 3 x 11	1	676-1148	208	208	010	104
	6 x 6 x 11	1	676-1149	208	208	010	104
	6 x 6 x 11A	1	676-1149	208	208	010	104
	2 x 2-1/2 x 12	1	676-1148	208	208	010	104
	2-1/2 x 3 x 12	1	676-1148	208	208	010	104
3 x 4 x 12 thru 6 x 6 x 12A	1	676-1149	208	208	010	104	
17	RETAINING RING	1	676-0947	088	088	088	088
18	JACKET PACKING	1	460-0008	010	010	010	010
	JACKET SEALS	1	460-0009	010	010	010	010
19	GASKET	1	364-0426	457	457	457	457
19A	GASKET	1	364-0441	457	457	457	457
20	CAPSCREW	8	168-0490	082	190	082	104
21	NUT	2	544-0113	082	190	082	104
22	CLAMP	2	204-0116	360	190	360	104
23	GLAND PACKING	1	372-0377	010	208	010	104
	JC1, JC2, JC9B, JC21	1	372-0384	010	208	010	104
	JC9	1	372-0385	010	208	010	104
	JC21 DOUBLE	1	372-0386	010	208	010	104
	DURA RO-ROTT	1	372-0387	010	208	010	104
	DURA PTO-PT	1	372-0388	010	208	010	104
	DURA CRO	1	372-0389	010	208	010	104
	24	STUD	2	803-0313	082	190	082

PC. NO.	DESCRIPTION	QTY	PART NO.	MATERIAL			
				B.F.	A.B.	A.I.	S.S.
25	SLEEVE PACKING	1	756-0524	208	208	108	108
	JC1	1	756-0518	208	208	104	104
	JC2, JC21	1	756-0519	208	208	104	104
	DURA RO-ROTT, JC9	1	756-0520	208	208	104	104
	JC9B	1	756-0521	208	208	104	104
	DURA CRO, JC21 DOUBLE	1	756-0523	208	208	104	104
	DURA PTO-PT	1	756-0522	208	208	104	104
	26	COVER (STD)					
11 PUMPS		1	812-1076	010	208	010	104
	6 x 11, 6 x 11A and 12 PUMPS	1	812-0323	010	208	010	104
JACKETED							
	6 x 11, 6 x 11A and 12 PUMPS	1	812-0340	010	208	010	104
27	MECHANICAL SEALS						
	JC1	1	712-0359	753	764	753	764
	JC2	1	712-0619	753	764	753	764
	JC9	1	712-1111	762	762	762	762
	JC9B	1	712-1413	762	762	762	762
	JC 21 (STD)	1	712-0910	753	764	753	764
	JC21 DOUBLE	1	712-2735	753	764	753	764
	DURA RO-ROTT	1	712-3587	773	776	773	776
	DURA PTO-PT	1	712-4373	773	776	773	776
DURA CRO	1	712-5415	773	776	773	776	
28	PACKING	6	564-0110	802	802	802	802
29	LANTERN RING	1	676-0009	512	512	512	512
32	FR 213JP - 256JP & POWER FRAME #2 & #3						
	(L)	4	168-0492	082	082	082	082
33	U DRIVE SCREW	2	708-0013	365	365	365	365
34	NAMEPLATE	1	532-0045	114	114	114	114
35	BRACKET 11" PUMPS EXCEPT 6 x 6 x 11 & 6 x 6 x 11A						
	FR 213JP - 256JP & POWER FRAME #2 & #3						
	(L)	1	116-0472	010	010	010	010
	FR 284JP - 326JP	1	116-0473	010	010	010	010
35	BRACKET 6 x 6 x 11, 6 x 6 x 11A & 12" PUMPS						
	FR 213JP - 256JP & POWER FRAME #2 & #3						
	(L)	1	116-0080	010	010	010	010
	FR 284JP - 326JP	1	116-0081	010	010	010	010
39	CAPSCREW (361A)	NOT REQUIRED					
	CAPSCREW (362A)						
	1-1/2 x 2 x 11	4	168-0560	082	190	082	104
	2 x 2-1/2 x 11	4	168-0562	082	190	082	104
	2 x 3 x 11	4	168-0562	082	190	082	104
	3 x 4 x 11	4	168-0564	082	190	082	104
	4 x 5 x 11	4	168-0634	082	190	082	104
	5 x 6 x 11	4	168-0634	082	190	082	104
	6 x 6 x 11, 6 x 6 x 11A	8	168-0634	082	190	082	104
6 x 6 x 12, 6 x 6 x 12A	8	168-0634	082	190	082	104	

360A SERIES
MODELS 361A- 362A - 364A
1-1/2 x 2 x 11 – 6 x 6 x 11A
1-1/2 x 2 x 12 – 6 x 6 x 12A
PARTS LIST

SECTION 360P PAGE 17
 DATED FEBRUARY 2011

SUPERSEDES 360P PAGE 17
 DATED JUNE 1998

PC. NO.	DESCRIPTION	QTY	PART NO.	MATERIAL			
				B.F.	A.B.	A.I.	S.S.
39	CAPSCREW (364A)						
	POWER FRAME #2 & #3	2	168-0490	082	082	082	082
40	WASHER (361A)		NOT REQUIRED				
	WASHER (362A)		NOT REQUIRED				
	WASHER (364A)						
	POWER FRAME #2 & #3	2	908-0114	080	080	080	080
41	SUPPORT	1	820-0002	010	010	010	010
42	DRIVE KEY	1	472-0247	087	087	087	087
43	GREASE FITTING	1	508-0005	651	651	651	651
44	VENT TUBE	1	864-0051	656	656	656	656
46	PIPE PLUG (GREASE)	2	624-0010	503	503	503	503
	(OIL)	1	600-0002	087	190	087	104
47	SLINGER						
	POWER FRAME #2	1	764-1021	478	478	478	478
	POWER FRAME #3	1	764-1021	478	478	478	478
47A	SLINGER						
	POWER FRAME #2	1	764-1021	478	478	478	478
	POWER FRAME #3	1	764-1026	478	478	478	478
48	CAPSCREW	4	168-0492	082	082	082	082
49	BEARING CAP						
	POWER FRAME #2	1	164-0471	010	010	010	010
	POWER FRAME #3	1	164-0472	010	010	010	010
50	O-RING (OIL LUBE)						
	POWER FRAME #2	1	364-0432	457	457	457	457
	POWER FRAME #3	1	364-0438	457	457	457	457
51	SEAL (GREASE)						
	POWER FRAME #2	1	712-0233	653	653	653	653
	POWER FRAME #3	1	712-0233	653	653	653	653
	OIL LUBE						
	POWER FRAME #2	1	712-0054	653	653	653	653
	POWER FRAME #3	1	712-0054	653	653	653	653
51A	SEAL (GREASE)						
	POWER FRAME #2	1	712-0233	653	653	653	653
	POWER FRAME #3	1	712-0234	653	653	653	653
	OIL LUBE						
	POWER FRAME #2	1	712-0054	653	653	653	653
	POWER FRAME #3	1	712-0056	653	653	653	653
52	RETAINING RING						
	POWER FRAME #2	1	676-0938	080	080	080	080
	POWER FRAME #3	1	676-0944	080	080	080	080
53	O.B. BEARING						
	POWER FRAME #2						
	STANDARD OPEN	1	068-2308	647	647	647	647
	SEALED PERM LUBE	1	068-2220	647	647	647	647
	POWER FRAME #3						
	STANDARD OPEN	1	068-2310	647	647	647	647
SEALED PERM LUBE	1	068-2221	647	647	647	647	

PC. NO.	DESCRIPTION	QTY	PART NO.	MATERIAL			
				B.F.	A.B.	A.I.	S.S.
53	SEMI-OPEN IMPELLER 12" PUMPS ONLY						
	POWER FRAME #2	1	068-2558	647	647	647	647
	POWER FRAME #3	1	068-2560	647	647	647	647
54	I.B. BEARING						
	POWER FRAME #2						
	STANDARD OPEN	1	068-0159	647	647	647	647
	SEALED PERM LUBE	1	068-2018	647	647	647	647
	POWER FRAME #3						
	STANDARD OPEN	1	068-0161	647	647	647	647
SEALED PERM LUBE	1	068-2022	647	647	647	647	
55	SEMI-OPEN IMPELLER 12" PUMPS ONLY						
	POWER FRAME #2	1	068-0182	647	647	647	647
	POWER FRAME #3	1	068-0184	647	647	647	647
55	SHAFT						
	POWER FRAME #2	1	728-4985	063	063	063	104
	POWER FRAME #3	1	728-4986	063	063	063	104
	SEMI-OPEN IMPELLER 12" PUMPS ONLY						
	POWER FRAME #2	1	728-4988	063	063	063	104
	POWER FRAME #3	1	728-4989	063	063	063	104
55	SHAFT 12" PUMPS ONLY						
	POWER FRAME #2	1	728-4988	063	063	063	104
	POWER FRAME #3	1	728-4989	063	063	063	104
56	PIPE PLUG						
	GREASE	2	624-0010	503	503	503	503
	OIL	1	600-0002	087	190	087	104
57	FRAME						
	OIL LUBE						
	POWER FRAME #2	1	356-0232	010	010	010	010
	POWER FRAME #3	1	356-0233	010	010	010	010
	GREASE						
	POWER FRAME #2	1	356-0202	010	010	010	010
POWER FRAME #3	1	356-0203	010	010	010	010	
58	GREASE FITTING	1	508-0001	651	651	651	651
59	PIPE PIPE PLUG	2	600-0001	087	190	087	104
60	OILER	1	522-0029	652	652	652	652
61	PIN		INCLUDED WITH NO. 25				
62	CAPSCREW	2	168-0490	082	082	082	082
63	WASHER	2	908-0114	080	080	080	080
64	SUPPORT	1	820-0189	010	010	010	010
65	CAPSCREW						
	PACKING	2	168-0496	082	190	082	104
	SEALS	4	168-0492	082	190	082	104
66	GASKET	1	364-2022	614	614	614	614
67	PIPE PLUG	2	600-0002	087	190	087	104
68	PIPE PLUG 6 x 6 x 11, 6 x 6 x 11A & 12" PUMPS						
		2	600-0002	087	190	087	104

360A SERIES
MODELS 361A- 362A - 364A
1-1/2 x 2 x 11 – 6 x 6 x 11A
1-1/2 x 2 x 12 – 6 x 6 x 12A
PARTS LIST

PC. NO.	DESCRIPTION	QTY	PART NO.	MATERIAL			
				B.F.	A.B.	A.I.	S.S.
69	NIPPLE 12"	1	600-2291	079	190	079	104
70	SEAL PUMPS	1	564-0301	802	802	802	802
71	LOCKNUT ONLY	1	544-0951	087	087	087	087
72	GASKET (362A)						
	1-1/2 x 2 x 11	1	364-0603	579	579	579	579
	1-1/2 x 2 x 12	1	364-0603	579	579	579	579
	2 x 3 x 11	1	364-0605	579	579	579	579
	2 x 2-1/2 x 12	1	364-0604	579	579	579	579
	2-1/2 x 3 x 12	1	364-0605	579	579	579	579
	3 x 4 x 11	1	364-0607	579	579	579	579
	3 x 4 x 12	1	364-0607	579	579	579	579
	4 x 5 x 11	1	364-0608	579	579	579	579
	4 x 5 x 12	1	364-0608	579	579	579	579
	5 x 6 x 11	1	364-0609	579	579	579	579
	5 x 6 x 12	1	364-0609	579	579	579	579
	6 x 6 x 11	1	364-0609	579	579	579	579
	6 x 6 x 11A	1	364-0609	579	579	579	579
	6 x 6 x 12	1	364-0609	579	579	579	579
	6 x 6 x 12A	1	364-0609	579	579	579	579
73	BASE (362A)						
	1-1/2 x 2 x 11	1	816-1103	010	208	010	104
	1-1/2 x 2 x 12	1	816-1103	010	208	010	104
	2 x 3 x 11	1	816-1105	010	208	010	104
	2 x 2-1/2 x 12	1	816-1104	010	208	010	104
	2-1/2 x 3 x 12	1	816-1105	010	208	010	104
	3 x 4 x 11	1	816-1106	010	208	010	104
	3 x 4 x 12	1	816-1106	010	208	010	104
	4 x 5 x 11	1	816-1107	010	208	010	104
	4 x 5 x 12	1	816-1107	010	208	010	104
	5 x 6 x 11	1	816-1108	010	208	010	104
	5 x 6 x 12	1	816-1108	010	208	010	104
	6 x 6 x 11	1	816-1108	010	208	010	104
	6 x 6 x 11A	1	816-1108	010	208	010	104
	6 x 6 x 12	1	816-1108	010	208	010	104
	6 x 6 x 12A	1	816-1108	010	208	010	104

PC. NO.	DESCRIPTION	QTY	PART NO.	MATERIAL			
				B.F.	A.B.	A.I.	S.S.
74	PIPE PLUG (362A)	1	600-0002	087	190	087	104
75	PIPE PLUG (362A)						
	1-1/2 x 2 x 11	1	600-0003	087	190	087	104
	1-1/2 x 2 x 12	1	600-0003	087	190	087	104
	2 x 3 x 11	1	600-0003	087	190	087	104
	2 x 2-1/2 x 12	1	600-0003	087	190	087	104
	2-1/2 x 3 x 12	1	600-0003	087	190	087	104
	3 x 4 x 11	1	600-0004	087	190	087	104
	3 x 4 x 12	1	600-0004	028	190	028	104
	4 x 5 x 11	1	600-0005	028	190	028	104
	4 x 5 x 12	1	600-0005	028	190	028	104
	5 x 6 x 11	1	600-0005	028	190	028	104
	5 x 6 x 12	1	600-0005	028	190	028	104
	6 x 6 x 11	1	600-0005	028	190	028	104
	6 x 6 x 11A	1	600-0005	028	190	028	104
	6 x 6 x 12	1	600-0005	028	190	028	104
	6 x 6 x 12A	1	600-0005	028	190	028	104
76	COUPLING						
	12" PUMPS ONLY	1	600-0721	387	387	387	387

**360A SERIES
MODELS 364A
6 x 8 x 15 and 8 x 10 x 15**

SECTION 360P PAGE 19
DATED FEBRUARY 2011

SUPERSEDES 360P PAGE 19
DATED JUNE 1998

PARTS LIST

PC. NO.	DESCRIPTION	QTY	PART NO.	MATERIAL			
				B.F.	A.B.	A.I.	S.S.
1	COMPRESSION ELBOW	1	868-3660	190		087	
2	COMPRESSION CONNECTOR	1	868-3359	190		087	
3	TUBING	1	872-0124	175		087	
4	CAPSCREW	4	168-0492	082		082	
5	CAPSCREW	8	168-0636	082		082	
6	CASING						
	6 x 8 x 15	1	180-2366	010		010	
	8 x 10 x 15	1	180-2367	010		010	
7	CASE RING						
	6 x 8 x 15	1	676-2036	222		010	
	8 x 10 x 15	1	676-2037	222		010	
8	O-RING	1	364-0557	457		457	
9	CAPSCREW	2	168-0636	082		082	
9A	NUT	2	544-0117	080		080	
10	O-RING	1	364-0335	457		457	
11	IMPELLER						
	6 x 8 x 15	1	443-2418	208		010	
	8 x 10 x 15	1	443-2419	208			010
11A	IMPELLER*						
	6 x 8 x 15	1	443-2455	208		010	
	8 x 10 x 15	1	443-2456	208		010	
14	IMPELLER RING (OPTIONAL)						
	6 x 8 x 15	1	676-1053	208		010	
	8 x 10 x 15	1	676-1971	208		010	
15	IMPELLER RING (OPTIONAL)						
	6 x 8 x 15	1	676-1053	208		010	
	8 x 10 x 15	1	676-1053	208		010	
16	WEAR RING						
	6 x 8 x 15	1	676-2036	222		010	
	8 x 10 x 15	1	676-2036	222		010	
23	GLAND (PACKING)	1	372-0499	010		010	
	JC1, JC1B	1	372-0501	010		010	
	JC9T, JC1, DOUBLE	1	372-0501	010		010	
	DURA RO-ROTT	1	372-0500	010		010	
	DURA PTO-PT	1	372-0500	010		010	
	GLAND DURA CRO	1	372-0500	010		010	
	DURA ROTT DOUBLE	1	372-0500	010		010	
	DURA RO DOUBLE	1	372-0500	010		010	
25	SLEEVE (PACKING)	1	756-0404	208		108	
	JC1, JC9T	1	756-0404	208		104	
	JC1B	1	756-0406	208		104	
	JC1 DOUBLE	1	756-0404	208		104	
	DURA RO-ROTT	1	756-0404	208		104	
	DURA PTO-PT	1	756-0405	208		104	
	DURA CRO DOUBLE	1	756-0404	208		104	
	DURA ROTT DOUBLE	1	756-0404	208		104	
	DURA RO DOUBLE	1	756-0404	208		104	
26	COVER (STANDARD)	1	812-1079	010		010	
	DURA ROTT DOUBLE	1	812-1082	010		010	

PC. NO.	DESCRIPTION	QTY	PART NO.	MATERIAL			
				B.F.	A.B.	A.I.	S.S.
27	MECHANICAL SEALS						
	JC1 (STANDARD)	1	712-6390	753		753	
	JC1B	1	712-6391	753		753	
	JC9T	1	712-6392	762		762	
	JC1 DOUBLE	1	712-6393	753		753	
	DURA ROTT	1	712-6394	714		714	
	DURA RO	1	712-6395	713		713	
	DURA PT	1	712-6396	716		716	
	DURA PTO	1	712-6397	715		715	
	DURA CRO DOUBLE	1	712-6398	713		713	
	DURA ROTT DOUBLE	1	712-6399	714		714	
	DURA RO DOUBLE	1	712-6400	713		713	
28	PACKING	6	564-0154	802		802	
29	LANTERN RING	1	676-0972	512		512	
32	CAPSCREW	4	168-0654	082		082	
33	U DRIVE SCREW	2	708-0013	365		365	
34	NAMEPLATE	1	532-0045	114		114	
35	BRACKET	1	116-0470	010		010	
42	DRIVE KEY	1	472-0390	087		087	
43	GREASE FITTING	1	508-0005	651		651	
44	VENT TUBE (OIL)	1	864-0053	656		656	
47	SLINGER						
	POWER FRAME 21	1	764-1034	522		522	
47A	SLINGER						
	POWER FRAME 21	1	764-1035	522		522	
48	CAPSCREW	4	168-0564	082		082	
49	BEARING CAP						
	POWER FRAME 21	1	164-0112	010		010	
50	O-RING (OIL LUBE)	1	364-0450	457		457	
51	SEAL	1	712-0193	653		653	
51A	SEAL	1	712-0193	653		653	
52	RETAINING RING	1	676-0926	088		088	
52A	RETAINING RING	1	676-0450	088		088	
53	O.B. BEARING	1	068-0462	647		647	
54	I.B. BEARING	1	068-0164	647		647	
55	SHAFT						
	POWER FRAME 21	1	728-7086	063		063	
56	PIPE PLUG (OIL)	3	600-0002	087		087	
57	FRAME						
	POWER FRAME 21						
	GREASE	1	356-0009	010		010	
	OIL	1	356-0099	010		010	
58	GREASE FITTING	2	508-0010	651		651	
60	OILER	1	552-0029	652		652	

*MACHINED FOR OPTIONAL RING NUMBERS 14 & 15

**360A SERIES
 MODELS 364A
 6 x 8 x 15 and 8 x 10 x 15**

PARTS LIST

PC. NO.	DESCRIPTION	Q T Y	PART NO.	MATERIAL			
				B.F.	A.B.	A.I.	S.S.
61	PIN	1	592-0028	104		104	
62	CAPSCREW	2	168-0564	082		082	
63	WASHER	2	908-0116	080		080	
64	SUPPORT	1	820-1396	010		010	
65	STUD						
	PACKING	2	808-0513	082		082	
	SEAL	4	808-0511	082		082	
65A	NUT						
	PACKING	2	544-0115	080		080	
	SEAL	4	544-0115	080		080	
66	GASKET	1	364-0814	603		603	
67	PIPE PLUG	1	600-0002	087		087	
68	PIPE PLUG	1	600-0002	087		087	
77	NUT	1	544-0117	080		080	
78	EYE BOLT	1	100-0110	080		080	
79	COLLAR						
	JC1, JC1B	1	224-0222	208		104	
80	SET SCREW						
	JC1, JC1B	2	724-0077	104		104	
81	CAPSCREW	2	168-0396	080		080	
82	NUT	2	544-0109	082		082	
83	PACKING	1	564-0301	802		802	

WARRANTY

Seller warrants equipment (and its component parts) of its own manufacture against defects in materials and workmanship under normal use and service for one (1) year from the date of installation or start-up, or for eighteen (18) months after the date of shipment, whichever occurs first. Seller does not warrant accessories or components that are not manufactured by Seller; however, to the extent possible, Seller agrees to assign to Buyer its rights under the original manufacturer's warranty, without recourse to Seller. Buyer must give Seller notice in writing of any alleged defect covered by this warranty (together with all identifying details, including the serial number, the type of equipment, and the date of purchase) within thirty (30) days of the discovery of such defect during the warranty period. No claim made more than 30 days after the expiration of the warranty period shall be valid. Guarantees of performance and warranties are based on the use of original equipment manufactured (OEM) replacement parts. Seller assumes no responsibility or liability if alterations, non-authorized design modifications and/or non-OEM replacement parts are incorporated. If requested by Seller, any equipment (or its component parts) must be promptly returned to Seller prior to any attempted repair, or sent to an authorized service station designated by Seller, and Buyer shall prepay all shipping expenses. Seller shall not be liable for any loss or damage to goods in transit, nor will any warranty claim be valid unless the returned goods are received intact and undamaged as a result of shipment. Repaired or replaced material returned to customer will be shipped F.O.B., Seller's factory. Seller will not give Buyer credit for parts or equipment returned to Seller, and will not accept delivery of any such parts or equipment, unless Buyer has obtained Seller's approval in writing. The warranty extends to repaired or replaced parts of Seller's manufacture for ninety (90) days or for the remainder of the original warranty period applicable to the equipment or parts being repaired or replaced, whichever is greater. This warranty applies to the repaired or replaced part and is not extended to the product or any other component of the product being repaired. Repair parts of its own manufacture sold after the original warranty period are warranted for a period of one (1) year from shipment against defects in materials and workmanship under normal use and service. This warranty applies to the replacement part only and is not extended to the product or any other component of the product being repaired. Seller may substitute new equipment or improve part(s) of any equipment judged defective without further liability. All repairs or services performed by Seller, which are not covered by this warranty, will be charged in accordance with Seller's standard prices then in effect.

THIS WARRANTY IS THE SOLE WARRANTY OF SELLER AND SELLER HEREBY EXPRESSLY DISCLAIMS AND BUYER WAIVES ALL OTHER WARRANTIES EXPRESSED, IMPLIED IN LAW OR IMPLIED IN FACT, INCLUDING ANY WARRANTIES OF MERCHANTABILITY OR FITNESS FOR A PARTICULAR PURPOSE. Seller's sole obligation under this warranty shall be, at its option, to repair or replace any equipment (or its component parts) which has a defect covered by this warranty, or to refund the purchase price of such equipment or part. Under the terms of this warranty, Seller shall not be liable for (a) consequential, collateral, special or liquidated losses or damages; (b) equipment conditions caused by normal wear and tear, abnormal conditions of use, accident, neglect, or misuse of said equipment; (c) the expense of, and loss or damage caused by, repairs or alterations made by anyone other than the Seller; (d) damage caused by abrasive materials, chemicals, scale deposits, corrosion, lightning, improper voltage, mishandling, or other similar conditions; (e) any loss, damage, or expense relating to or resulting from installation, removal or reinstallation of equipment; (f) any labor costs or charges incurred in repairing or replacing defective equipment or parts, including the cost of reinstalling parts that are repaired or replaced by Seller; (g) any expense of shipment of equipment or repaired or replacement parts; or (h) any other loss, damage or expense of any nature.

The above warranty shall not apply to any equipment which may be separately covered by any alternate or special warranties.

PERFORMANCE: In the absence of Certified Pump Performance Tests, equipment performance is not warranted or guaranteed. Performance curves and other information submitted to Buyer are approximate and no warranty or guarantee shall be deemed to arise as a result of such submittal. All testing shall be done in accordance with Seller's standard policy under Hydraulic Institute procedures.

LIABILITY LIMITATIONS: Under no circumstances shall the Seller have any liability under the Order or otherwise for liquidated damages or for collateral, consequential or special damages or for loss of profits, or for actual losses or for loss of production or progress of construction, regardless of the cause of such damages or losses. In any event, Seller's aggregate total liability under the Order or otherwise shall not exceed the contract price.

ACTS OF GOD: Seller shall in no event be liable for delays in delivery of the equipment or other failures to perform caused by fires, acts of God, strikes, labor difficulties, acts of governmental or military authorities, delays in transportation or procuring materials, or causes of any kind beyond Seller's control.

COMPLIANCE WITH LAW: Seller agrees to comply with all United States laws and regulations applicable to the manufacturing of the subject equipment. Such compliance shall include: The Fair Labor Standards Acts of 1938, as amended; Equal Employment Opportunity clauses of Executive Order 11246, as amended; Occupational Safety and Health Act of 1970 and the standards promulgated thereunder, if applicable. Since compliance with the various Federal, State, and Local laws and regulations concerning occupational health and safety, pollution or local codes are affected by the use, installation and operation of the equipment and other matters over which Seller has no control, Seller assumes no responsibility for compliance with those laws and regulations, whether by way of indemnity, warranty, or otherwise. It is incumbent upon the Buyer to specify equipment which complies with local codes and ordinances.



AURORA®

800 Airport Road
North Aurora, Illinois 60542

630-859-7000

www.aurorapump.com