

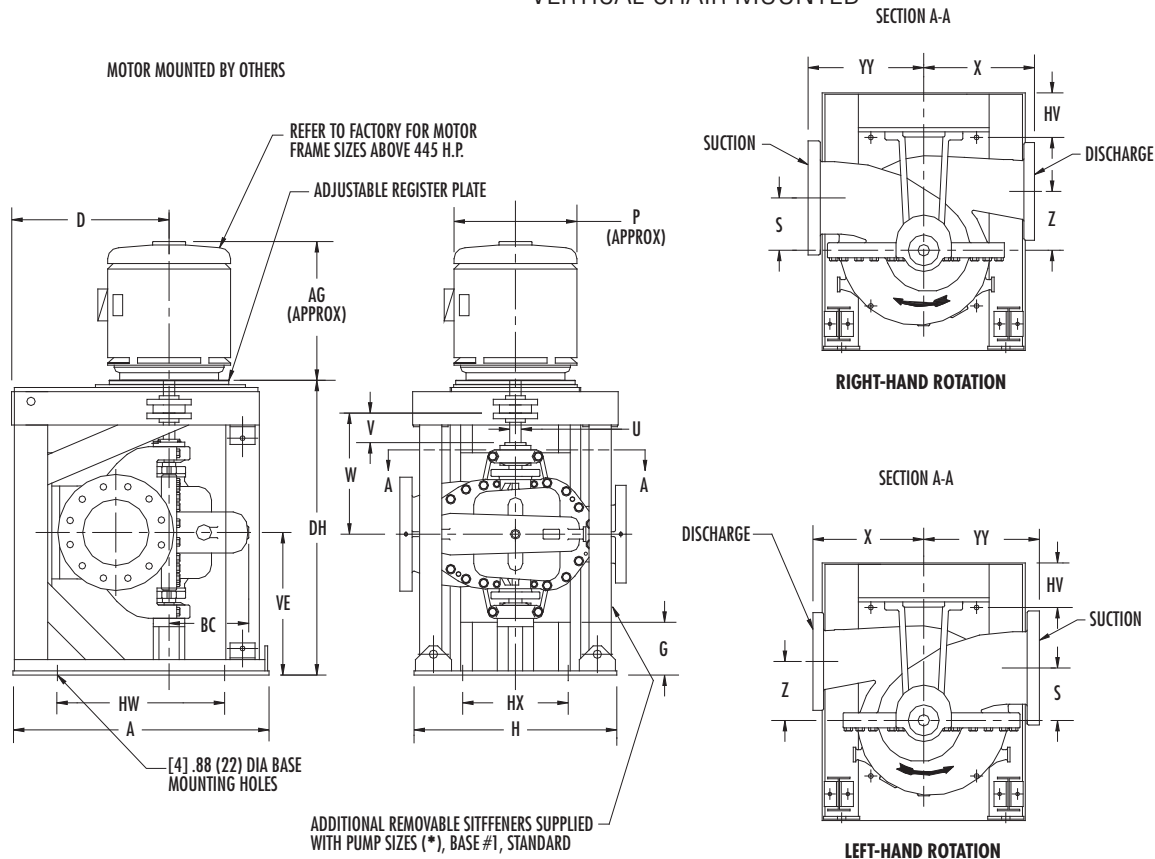
AURORA® MODEL 413-C PUMPS

10"-12"-14" PUMPS

POWER SERIES NO. 5-6B-7-7A

VERTICAL CHAIR MOUNTED

Supersedes Section 410 Page 208
 Dated April 2013



PUMP SIZE			POWER SERIES	BASE	D	S	U	V	W	X	Z	BC	DH	VE	YY
DISCH	SUCT	CASE BORE													
8	10	17B	5	5	25 (635)	8 (203)	1.75 (45)	4 (102)	18 (457)	17 (432)	8 (203)	12.38 (314)	47 (1194)	22.88 (581)	17.75 (451)
8	10	21	6B	4	25.25 (641)	9.5 (241)	2.13 (54)	5.44 (138)	21.88 (556)	18 (457)	9.5 (241)	14 (356)	51.75 (1314)	25.13 (638)	21.0 (533)
*	10	12	15	6B	1	31.75 (806)	13.5 (343)	2.13 (54)	5.44 (138)	21.88 (556)	17 (432)	13.5 (343)	51.75 (1314)	25.13 (638)	20 (508)
*	10	12	18	6B	1	31.75 (806)	13.5 (343)	2.13 (54)	5.44 (138)	21.88 (556)	18 (457)	13.5 (343)	51.75 (1314)	25.13 (638)	22.0 (559)
*	10	12	18D	7A	6	31-3/4 (806)	12-1/4 (311)	2-1/8 (54)	6-5/16 (160)	24-5/16 (508)	20 (311)	12-1/4 (383)	57-1/4 (1454)	27-5/8 (702)	24 (610)
	12	14	15	7	2	33.75 (857)	15 (381)	2.5 (64)	6.63 (168)	25.25 (641)	17 (432)	15 (381)	56 (1422)	26 (660)	22.0 (559)
	12	14	18	7	2	33.75 (857)	15 (381)	2.5 (64)	6.63 (168)	25.25 (641)	18 (457)	15 (381)	56 (1422)	26 (660)	23 (584)
	14	16	18	7	3	36 (914)	16 (406)	2.5 (64)	6.63 (168)	25.25 (641)	22.0 (559)	16 (406)	56 (1422)	26 (660)	27 (686)

BASE	1	2	3	4	5	6
A	50 (1270)	46 (1168)	48 (1219)	40 (1016)	40 (1016)	50 (1270)
G	9.63 (245)	8 (203)	8 (203)	9.63 (245)	9.63 (245)	9-5/8 (245)
H	36.5 (927)	35 (889)	35 (889)	36.5 (927)	36.5 (927)	44-1/2 (1130)
HV	8 (203)	8 (203)	8 (203)	8 (203)	8 (203)	8 (203)
HW	34 (864)	34 (864)	36 (914)	28 (711)	28 (711)	34 (864)
HX	19 (483)	19 (483)	19 (483)	22.0 (559)	22.0 (559)	22 (559)

PUMP SIZE	FRAME	364	365	404	405	444	445
	P	21.0 (533)	21.0 (533)	22.0 (559)	22.0 (559)	24.0 (610)	24.0 (610)
	AG	25.0 (635)	25.0 (635)	28.0 (711)	28.0 (711)	32.0 (813)	32.0 (813)
PUMP SIZE		MOTOR SIZING (7)					
8 x 10 x 17B							
8 x 10 x 21		X	X	X	X	X	X
10 x 12 x 15		X	X	X	X	X	X
10 x 12 x 18					X	X	X
10 x 12 x 18D		X	X	X	X	X	X
12 x 14 x 15				X	X	X	X
12 x 14 x 18							X
14 x 16 x 18							X

- NOTES:
- All dimensions in inches (mm).
 - Dimensions may vary $\pm 3/8"$ (10).
 - Not for construction purposes unless certified.
 - Discharge and suction flanges – ANSI Standard flat face.
 - Height (AG) and diameter (P) dimensions of motor will vary based on make and style of motor. DIMENSIONS SHOWN REFLECT AURORA STANDARD MOTORS. See individual motor supplier dimensional data sheets for your application.
 - Conduit box is shown in approximate location. Dimensions are not specified as they vary for each motor manufacturer.
 - (X) denotes standard frame sizes based on horsepower.

STD. 125# FLANGES	OPT. 250# FLANGES
-------------------	-------------------