



AURORA[®]

**630 SERIES
SIMPLEX AND DUPLEX
ONE STAGE WET PIT
SOLIDS HANDLING PUMPS**

REPAIR PARTS INDEX

NOTE! Read and understand the pump and motor instructions before attempting to install, disassemble or repair the pump.

THIS PAGE INTENTIONALLY LEFT BLANK

AURORA® 630 SERIES REPAIR PARTS INDEX

Section **630P** Page **1**
Date **AUGUST 1992**
Supersedes **NOVEMBER 1988**

PARTS LISTED ARE FOR STANDARD PUMPS AND SOME OPTIONAL PUMP BEARINGS.

PUMP SIZE	PAGE
4X4X7 4X4X9 4X4X12 6X6X12	4-5

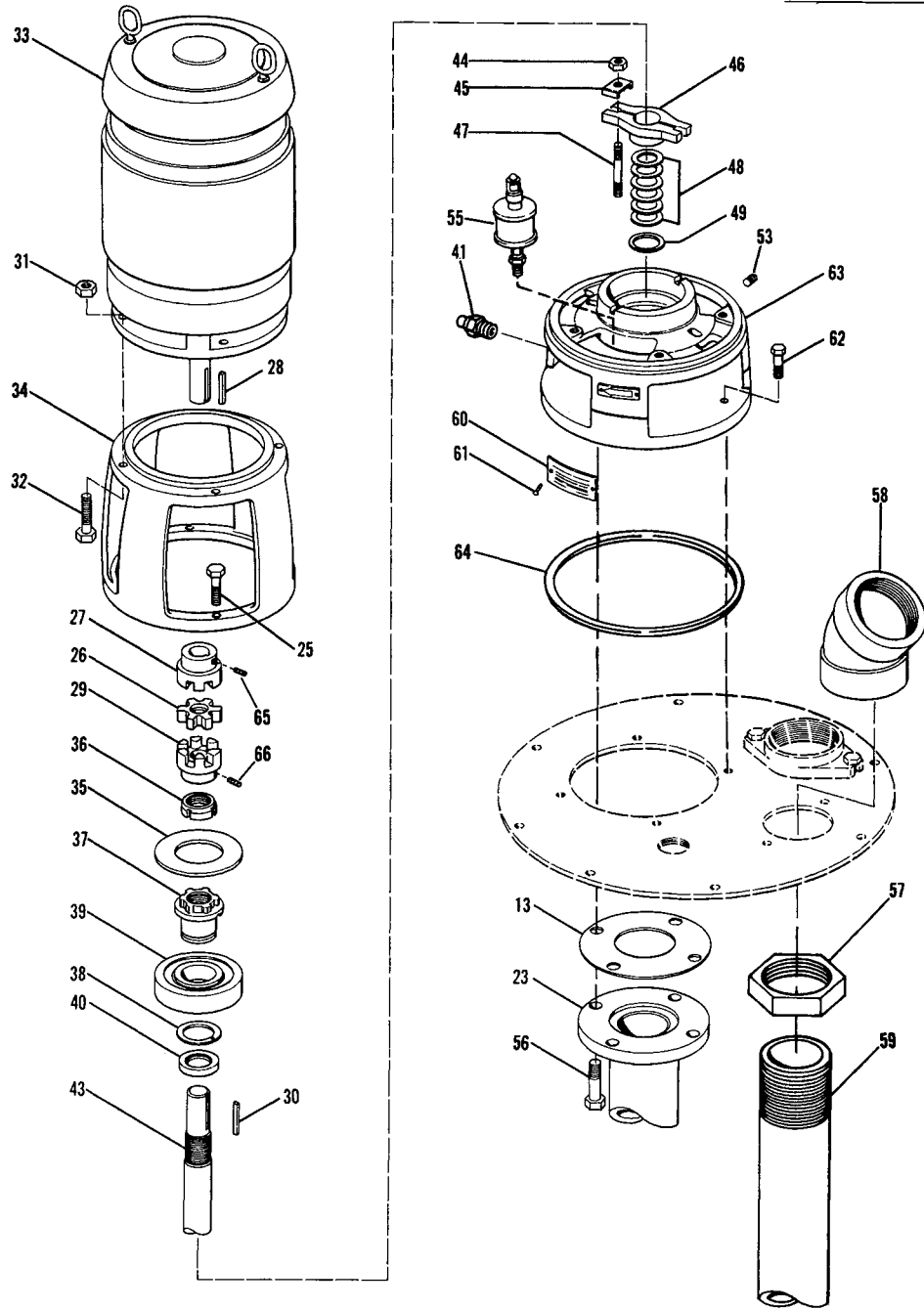
PIECE NO.

- 1 – A ROD GUIDE IS REQUIRED ON ALL REPLACEMENT COVERS.
- 17 – STANDARD PUMP BEARING IS LISTED. REFER TO PART NUMBERS 70 THRU 130 FOR SPECIAL OPTION BEARINGS. ALL PUMPS FOR 10'-0" PIT DEPTH AND DEEPER ARE MADE WITH RELIEF TYPE PUMP BEARING.
- 22 – ONE SET OF FOUR (4) CPASCREWS AND NUTS IS REQUIRED FOR EACH GUIDE BEARING JOINT.
- 23 – ONE SUPPORT PIPE IS REQUIRED FOR PIT DEPTHS UP TO 6'-0".
TWO SUPPORT PIPES ARE REQUIRED FOR PIT DEPTHS 6'-6" TO 11'-0".
THREE SUPPORT PIPES ARE REQUIRED FOR PIT DEPTHS 11'-6" TO 16'-0".
- 24 – ONE GUIDE BEARING IS REQUIRED FOR PIT DEPTHS 6'-6" TO 11'-0".
TWO GUIDE BEARINGS ARE REQUIRED FOR PIT DEPTHS 11'-6" TO 16'-0".
- 42 & 43 – PIT DEPTHS TO 11'-6" REQUIRE ONE SHAFT (43).
PIT DEPTHS 12'-0" TO 17'-6" REQUIRE ONE PUMP SHAFT (43C), ONE HEAD SHAFT (43A) AND ONE LINE COUPLING (42).

AURORA® 630 SERIES
MODELS 631-632

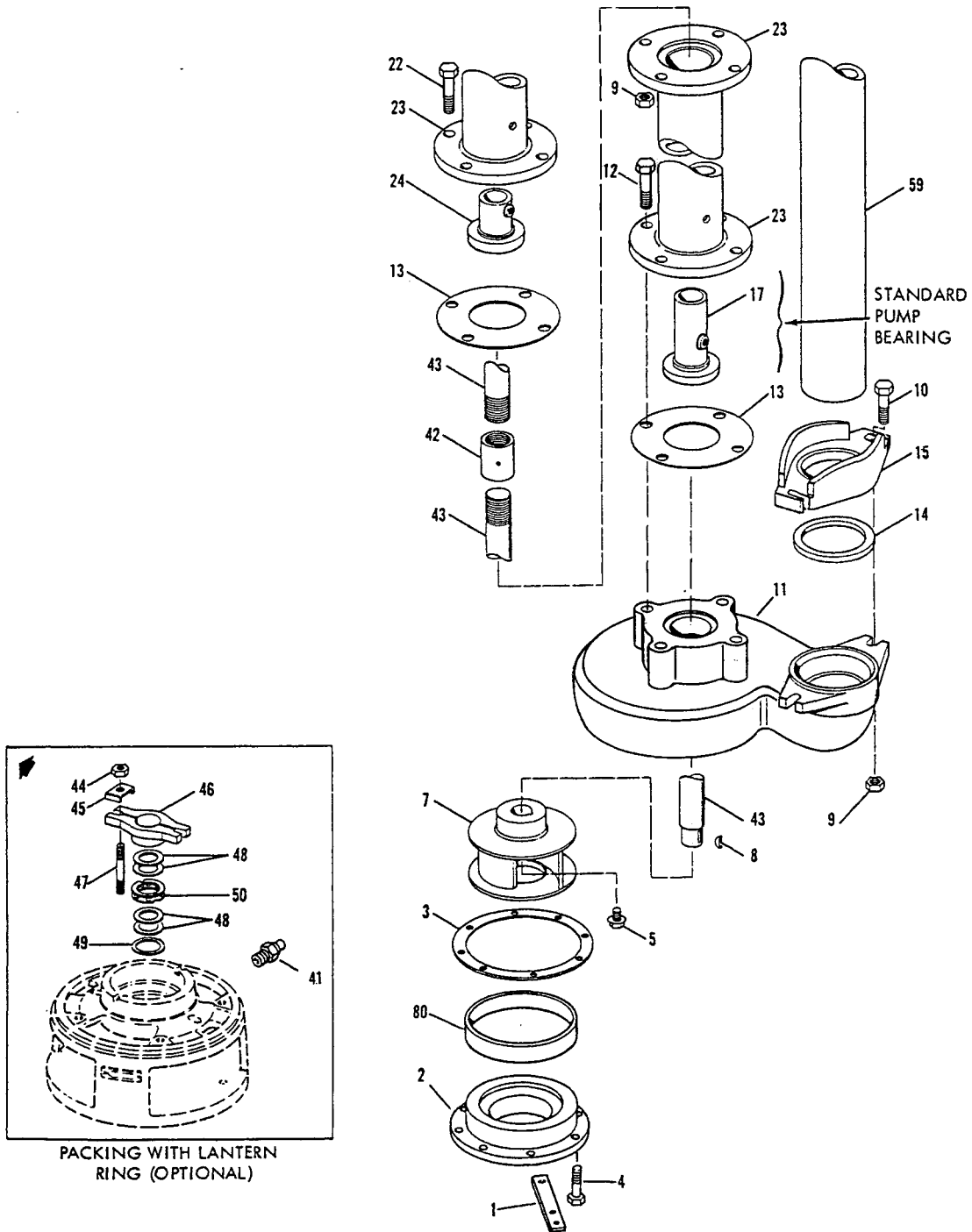
PIECE NUMBERS

STANDARD
STUFFING BOX
ILLUSTRATED



PIECE NUMBERS

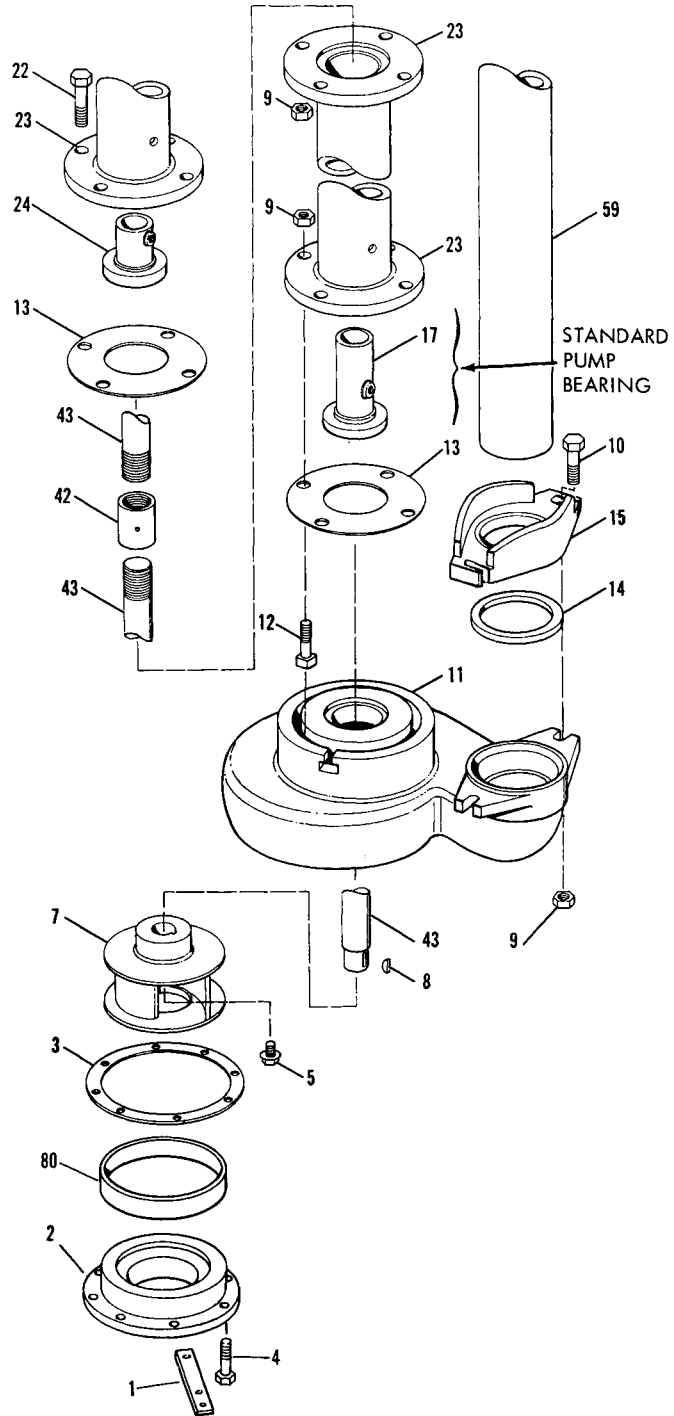
4x4x7 & 4x4x9



AURORA® 630 SERIES
MODELS 631-632

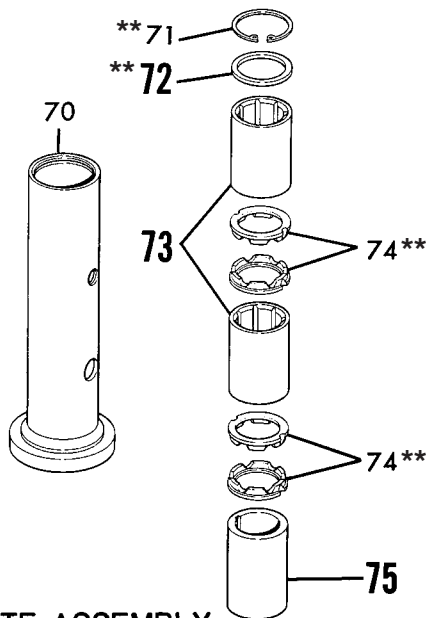
PIECE NUMBERS

4x4x12 & 6x6x12



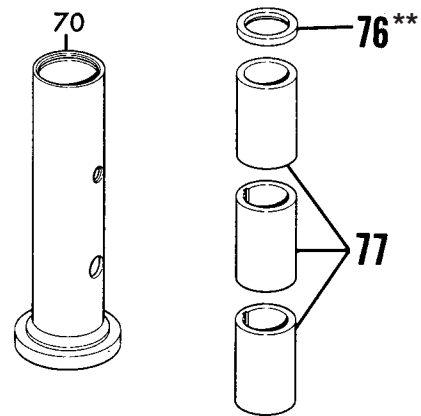
OPTIONAL RELIEF TYPE BEARINGS

CUTLESS RUBBER



70A-COMPLETE ASSEMBLY

METAL BUSHING*

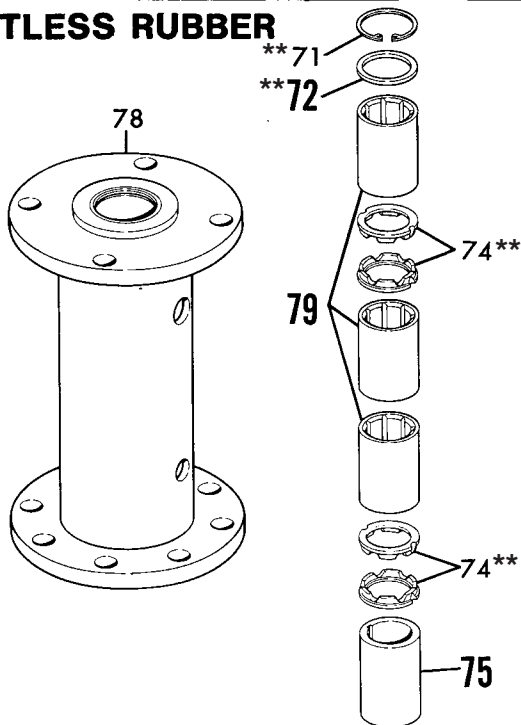


70B-COMPLETE ASSEMBLY

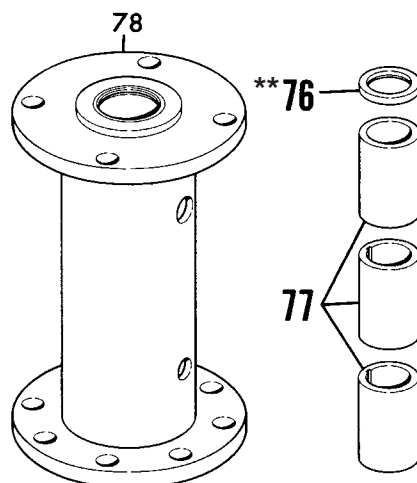
* Standard for pump settings over 10 feet.
** Only used in pumps before March 1986.

OPTIONAL SPOOL TYPE BEARINGS

CUTLESS RUBBER



METAL BUSHING



AURORA® 630 SERIES
 MODELS 631-632
 4x4x7 – 4x4x9 – 4x4x12 – 6x6x12

PARTS LIST

PC. NO.	DESCRIPTION	QTY	PART NO.	MATERIAL				
				B.F.	A.B.	A.I.	S.S.	
1	ROD GUIDE	1	396-0009	087	190	087	104	
2	SUCTION COVER							
	4 x 7	1	816-0716	010	208	010	104	
	4 x 9	1	816-0717	010	208	010	104	
	4 x 12	1	816-0718	010	208	010	104	
	6 x 12	1	816-0719	010	208	010	104	
	FOR PUMPS WITH SEMI-OPEN IMPELLERS							
	4 x 9	1	816-0653	010	208	010	104	
	6 x 12	1	816-0653	010	208	010	104	
3	GASKET							
	4 x 7	1	364-1014	603	603	603	603	
	4 x 9	1	364-1015	603	603	603	603	
	4 x 12, 6 x 12	1	364-1016	603	603	603	603	
4	CAP SCREW							
	4 x 7	8	168-0377	080	109	080	104	
	4 x 9, 4 x 12, 6 x 12	8	168-0489	080	190	080	104	
5	IMPELLER NUT	1	544-2047	104	104	104	104	
6	WASHER		INCLUDED WITH NO. 5					
7	IMPELLER							
	4 x 7	1	443-0703	010	208	010	104	
	4 x 9	1	443-0662	010	208	010	104	
	4 x 12	1	443-1080	010	208	010	104	
	6 x 12	1	443-0705	010	208	010	104	
	SEMI-OPEN							
	4 x 9	1	443-0612	010	208	010	104	
	6 x 12	1	443-0614	010	208	010	104	
8	IMPELLER KEY	1	472-0018	087	104	087	104	
9	NUT	4x4x7, 4x4x9	2	544-0115	080	190	080	104
9	NUT	4x4x12, 6x6x12	10	544-0115	080	190	080	104
10	BOLT		2	100-0515	080	190	080	104
11	CASING							
	4 x 7	1	180-2403	010	208	010	104	
	4 x 9	1	180-2404	010	208	010	104	
	4 x 12	1	180-0394	010	208	010	104	
	6 x 12	1	180-0380	010	208	010	104	
12	CAP SCREW							
	4x4x7, 4x4x9	4	168-0562	082	190	082	104	
12	BOLT	4x4x12, 6x6x12	8	100-0511	080	190	080	104
13	GASKET							
			364-1021	588	588	588	588	
14	PACKING							
	4x7, 4x9, 4x12	1	564-0346	730	730	730	730	
	6x12	1	564-0347	802	802	802	802	
15	GLAND							
	4x7, 4x9, 4x12	1	372-0071	010	208	010	104	
	6x12	1	372-0074	010	208	010	104	
17	PUMP BEARING	1	136-1402	208	208	010		
22	CAP SCREW	4	168-0562	087	190	087	104	
23	SUPPORT PIPE		REFER TO FACTORY					
24	GUIDE BEARING		136-1402	208	208	010		

PC. NO.	DESCRIPTION	QTY	PART NO.	MATERIAL			
				B.F.	A.B.	A.I.	S.S.
25	CAP SCREW	4	168-0490	080	080	080	104
26	COUPLING INSERT		REFER TO SECTION 1000P				
27	COUPLING HALF		REFER TO SECTION 1000P				
28	COUPLING KEY		REFER TO FACTORY				
29	COUPLING HALF		REFER TO SECTION 1000P				
30	COUPLING KEY	1	472-0250	087	087	087	087
31	NUT		REFER TO FACTORY				
32	CAP SCREW		REFER TO FACTORY				
33	MOTOR		REFER TO FACTORY				
34	UPPER HEAD						
	143 hp–256 hp	1	116-0346	010	010	010	010
	284 hp–326 hp	1	116-0347	010	010	010	010
35	SLINGER	1	764-0401	478	478	478	478
36	LOCKNUT	1	544-1108	080	080	080	080
37	BEARING COLLAR	1	224-0163	208	208	208	208
38	RETAINING RING	1	676-0289	088	088	088	088
39	BALL BEARING	1	068-2023	647	647	647	647
40	GREASE SEAL	1	712-0146	653	653	653	653
41	GREASE FITTING	1	508-0002	651	651	651	651
42	COUPLING	1	256-2014	062	104	062	104
43	SHAFT		REFER TO FACTORY				
43A	HEAD SHAFT		REFER TO FACTORY				
43B	LINE SHAFT		REFER TO FACTORY				
43C	PUMP SHAFT		REFER TO FACTORY				
44	NUT	2	544-0109	190	190	190	104
45	GLAND CLAMP	2	204-0120	360	190	360	104
46	GLAND	1	372-0220	010	208	010	104
47	STUD	2	808-0017	082	082	082	104
48	PACKING	6	564-0037	802	802	802	802
49	PACKING RING	1	676-1232	190	190	087	104
50	LANTERN RING	1	676-1681	512	512	512	512
53	PLUG	1	600-0002	087	190	087	104
55	OILER	1	552-0102	652	652	652	652
56	CAP SCREW	4	168-0562	080	080	080	080
57	LOCKNUT						
	4x7, 4x9, 4x12	1	544-2037	087	190	087	104
	6x12	1	544-2039	087	190	087	104
58	ELBOW						
	4x7, 4x9, 4x12	1	600-0365	028	190	028	104
	6x12	1	600-0367	028	190	028	104
59	DISCHARGE PIPE		REFER TO FACTORY				
60	NAMEPLATE	1	532-0045	114	114	114	114
61	DRIVE SCREW	2	708-0013	365	365	365	365
62	CAP SCREW	4	168-0388	080	080	080	080

AURORA® 630 SERIES
MODELS 631-632
4x4x7 – 4x4x9 – 4x4x12 – 6x6x12

Section **630P** Page **7**
 Date **DECEMBER 2014**
 Supersedes **AUGUST 1992**

PARTS LIST

PC. NO.	DESCRIPTION	QTY	PART NO.	MATERIAL				
				B.F.	A.B.	A.I.	S.S.	
63	LOWER HEAD	1	116-0439	010	010	010	010	
		1	116-0440	010	010	010	010	
		4	168-0378	082	082	082	082	
64	GASKET	1	364-1254	481	481	481	481	
65	SET SCREW		INCLUDED WITH NO. 27					
66	SET SCREW		INCLUDED WITH NO. 29					
70	BEARING HOUSING	1	260-0701	087	087	087		
OPTIONAL RELIEF TYPE BEARINGS COMPLETE ASSY.								
BEFORE MARCH 1986								
70A	CUTLESS RUBBER	1	032-1245	NOT AVAILABLE				
70B	METAL BUSHING	1	032-1247	USE NEW DESIGN				
71	SNAP RING	1	676-0220	088	104	088		
72	RETAINING RING	1	676-1996	079	190	079		
73	BUSHING	2	136-1379	457	457	457		
74	LANTERN RING	2	676-1681	512	512	512		
75	BUSHING	1	136-1172	208	208	010		
76	SEAL	1	712-0047	653	653	653		
77	BUSHING	3	136-1172	208	208	010		
78	SPOOL HOUSING	1	260-0726	087	087	087		
79	BUSHING	3	136-1379	457	457	457		
OPTIONAL RELIEF TYPE BEARINGS COMPLETE ASSY.								
AFTER MARCH 1986								
70A	CUTLESS RUBBER	1	032-1245	644	643	642		
70B	METAL BUSHING	1	032-1247	644	643	642		
73	BUSHING	2	136-1617	486	486	487		
75	BUSHING	1	136-1172	208	208	010		
77	BUSHING	3	136-1172	208	208	010		
78	SPOOL HOUSING	1	260-0726	087	087	087		
79	BUSHING	3	136-1617	486	486	487		
80	CASE RING	4x7	1	676-0495	010	208	010	
		4x9	1	676-0496	010	208	010	
		4x12	1	676-0497	010	208	010	
		6x12	1	676-0498	010	208	010	
PARTS NOT SHOWN ON EXPLODED VIEW								
	FLOAT ROD			REFER TO SECTION 1020P FOR FLOAT SWITCH ASSY.				
	FLOAT STOP							
	FLOAT							

THIS PAGE INTENTIONALLY LEFT BLANK

THIS PAGE INTENTIONALLY LEFT BLANK

WARRANTY

Seller warrants equipment (and its component parts) of its own manufacture against defects in materials and workmanship under normal use and service for one (1) year from the date of installation or start-up, or for eighteen (18) months after the date of shipment, whichever occurs first. Seller does not warrant accessories or components that are not manufactured by Seller; however, to the extent possible, Seller agrees to assign to Buyer its rights under the original manufacturer's warranty, without recourse to Seller. Buyer must give Seller notice in writing of any alleged defect covered by this warranty (together with all identifying details, including the serial number, the type of equipment, and the date of purchase) within thirty (30) days of the discovery of such defect during the warranty period. No claim made more than 30 days after the expiration of the warranty period shall be valid. Guarantees of performance and warranties are based on the use of original equipment manufactured (OEM) replacement parts. Seller assumes no responsibility or liability if alterations, non-authorized design modifications and/or non-OEM replacement parts are incorporated. If requested by Seller, any equipment (or its component parts) must be promptly returned to Seller prior to any attempted repair, or sent to an authorized service station designated by Seller, and Buyer shall prepay all shipping expenses. Seller shall not be liable for any loss or damage to goods in transit, nor will any warranty claim be valid unless the returned goods are received intact and undamaged as a result of shipment. Repaired or replaced material returned to customer will be shipped F.O.B., Seller's factory. Seller will not give Buyer credit for parts or equipment returned to Seller, and will not accept delivery of any such parts or equipment, unless Buyer has obtained Seller's approval in writing. The warranty extends to repaired or replaced parts of Seller's manufacture for ninety (90) days or for the remainder of the original warranty period applicable to the equipment or parts being repaired or replaced, whichever is greater. This warranty applies to the repaired or replaced part and is not extended to the product or any other component of the product being repaired. Repair parts of its own manufacture sold after the original warranty period are warranted for a period of one (1) year from shipment against defects in materials and workmanship under normal use and service. This warranty applies to the replacement part only and is not extended to the product or any other component of the product being repaired. Seller may substitute new equipment or improve part(s) of any equipment judged defective without further liability. All repairs or services performed by Seller, which are not covered by this warranty, will be charged in accordance with Seller's standard prices then in effect.

THIS WARRANTY IS THE SOLE WARRANTY OF SELLER AND SELLER HEREBY EXPRESSLY DISCLAIMS AND BUYER WAIVES ALL OTHER WARRANTIES EXPRESSED, IMPLIED IN LAW OR IMPLIED IN FACT, INCLUDING ANY WARRANTIES OF MERCHANTABILITY OR FITNESS FOR A PARTICULAR PURPOSE. Seller's sole obligation under this warranty shall be, at its option, to repair or replace any equipment (or its component parts) which has a defect covered by this warranty, or to refund the purchase price of such equipment or part. Under the terms of this warranty, Seller shall not be liable for (a) consequential, collateral, special or liquidated losses or damages; (b) equipment conditions caused by normal wear and tear, abnormal conditions of use, accident, neglect, or misuse of said equipment; (c) the expense of, and loss or damage caused by, repairs or alterations made by anyone other than the Seller; (d) damage caused by abrasive materials, chemicals, scale deposits, corrosion, lightning, improper voltage, mishandling, or other similar conditions; (e) any loss, damage, or expense relating to or resulting from installation, removal or reinstallation of equipment; (f) any labor costs or charges incurred in repairing or replacing defective equipment or parts, including the cost of reinstalling parts that are repaired or replaced by Seller; (g) any expense of shipment of equipment or repaired or replacement parts; or (h) any other loss, damage or expense of any nature.

The above warranty shall not apply to any equipment which may be separately covered by any alternate or special warranties.

PERFORMANCE: In the absence of Certified Pump Performance Tests, equipment performance is not warranted or guaranteed. Performance curves and other information submitted to Buyer are approximate and no warranty or guarantee shall be deemed to arise as a result of such submittal. All testing shall be done in accordance with Seller's standard policy under Hydraulic Institute procedures.

LIABILITY LIMITATIONS: Under no circumstances shall the Seller have any liability under the Order or otherwise for liquidated damages or for collateral, consequential or special damages or for loss of profits, or for actual losses or for loss of production or progress of construction, regardless of the cause of such damages or losses. In any event, Seller's aggregate total liability under the Order or otherwise shall not exceed the contract price.

ACTS OF GOD: Seller shall in no event be liable for delays in delivery of the equipment or other failures to perform caused by fires, acts of God, strikes, labor difficulties, acts of governmental or military authorities, delays in transportation or procuring materials, or causes of any kind beyond Seller's control.

COMPLIANCE WITH LAW: Seller agrees to comply with all United States laws and regulations applicable to the manufacturing of the subject equipment. Such compliance shall include: The Fair Labor Standards Acts of 1938, as amended; Equal Employment Opportunity clauses of Executive Order 11246, as amended; Occupational Safety and Health Act of 1970 and the standards promulgated thereunder, if applicable. Since compliance with the various Federal, State, and Local laws and regulations concerning occupational health and safety, pollution or local codes are affected by the use, installation and operation of the equipment and other matters over which Seller has no control, Seller assumes no responsibility for compliance with those laws and regulations, whether by way of indemnity, warranty, or otherwise. It is incumbent upon the Buyer to specify equipment which complies with local codes and ordinances.



AURORA®

800 Airport Road
North Aurora, Illinois 60542
630-859-7000
www.aurorapump.com