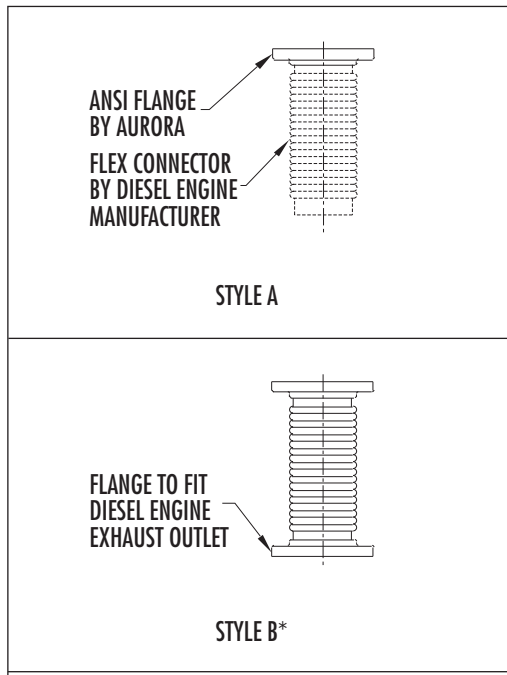


AURORA® FIRE PUMPS

EXHAUST FLEX CONNECTORS

ENGINE MODEL	MUFFLER CONNECTION SIZE	FLEX CONNECTOR STYLE		
CATERPILLAR				
3406C	6" FLANGED	B		
3412C*, 3508C, C18*	8" FLANGED	B		
CLARKE FIRE PROTECTION				
JU4H-UF10, -UF12, -UF14, -UF20, -UF22, -UF24, -UFAB26, -UFAEAO, -UFAEE8, -UFAEF2, -UFADJ2, -UFADJ8	3" NPT	A		
JU4R-UF09, -UF11, -UF13, -UF19, -UF21, -UF23, -UFAEA9, -UFAEE7, -UFAEF1				
JU4H-UF30, -UF32, -UF34, -UF40, -UF42, -UF50, -UF52, -UF54, -UF58, -UFADJG, -UFADPO, -UFADRO, -UFADW8, -UFADY8, -UFAD5G	4" FLANGED	A		
JU4R-UF40, -UF49, UF51 -UF53	5" FLANGED	B		
JU6H-UF30, -UF32, -UF34, -UF50, -UF52, -UF54, -UF58, -UF60, -UF62, -UF62, -UF68, -UF84, -UFAAPG, -UFAAQ8, -UFAARG, -UFAASO, -UFAB76, -UFABLO, -UFABL8, -UFDO, -UFD2, -UFG8, -UFMO, -UFM2, -UFM8, -UFAD58, -UFAD88, -UFADMO, -UFADM8, -UFADNO, -UFADNG, -UFADP8				
DP6H SERIES				
JW6H-UF30, -UF40, UF48				
DSOH SERIES*			5" FLANGE	B
DR8H SERIES*				
JW6H-UF50, -UF58, -UF60, -UF8, -UFAAM8, -UFAA80, -UFADDO, -UFAD80, -UFADFO, -UFADJO, -FAD70, -UFAD80			6" FLANGED	B
JU6H-UFAD98, -UFADPO, -UFADQO, -UFADRO, -UFADR8, -UFADSO, -UFADS8, -FADTO, -UFADW8 -UFADX8				
DQ6H SERIES				
DT2H SERIES*				
JX6H SERIES	8" FLANGED	B		
CUMMINS				
CFP5E, CFP59, CFP7E Series	3" NPT, FLANGED, CUFF	A, B		
CFP83 Series	4" NPT, FLANGED, CUFF	A, B		
CFP9E Series	4" NPT, FLANGED, CUFF	A, B		
CFP11E Series	5" NPT, FLANGED, CUFF	A, B		
CFP15E Series	6" FLANGED	B		
CFP23E Series	6" FLANGED	B		
CFP30E Series	6" FLANGED	B		
DEUTZ				
DFF4-2011 Series	3" NPT	A		
DFF4-2012 Series	4" FLANGED	B		
DFF6 Series	6" FLANGED	B		



***FLANGED FLEX CONNECTOR PROVIDED BY DIESEL ENGINE MANUFACTURER. NO ADDITIONAL FLEX CONNECTOR OR ADAPTOR FITTING IS REQUIRED OR PROVIDED BY AURORA.**