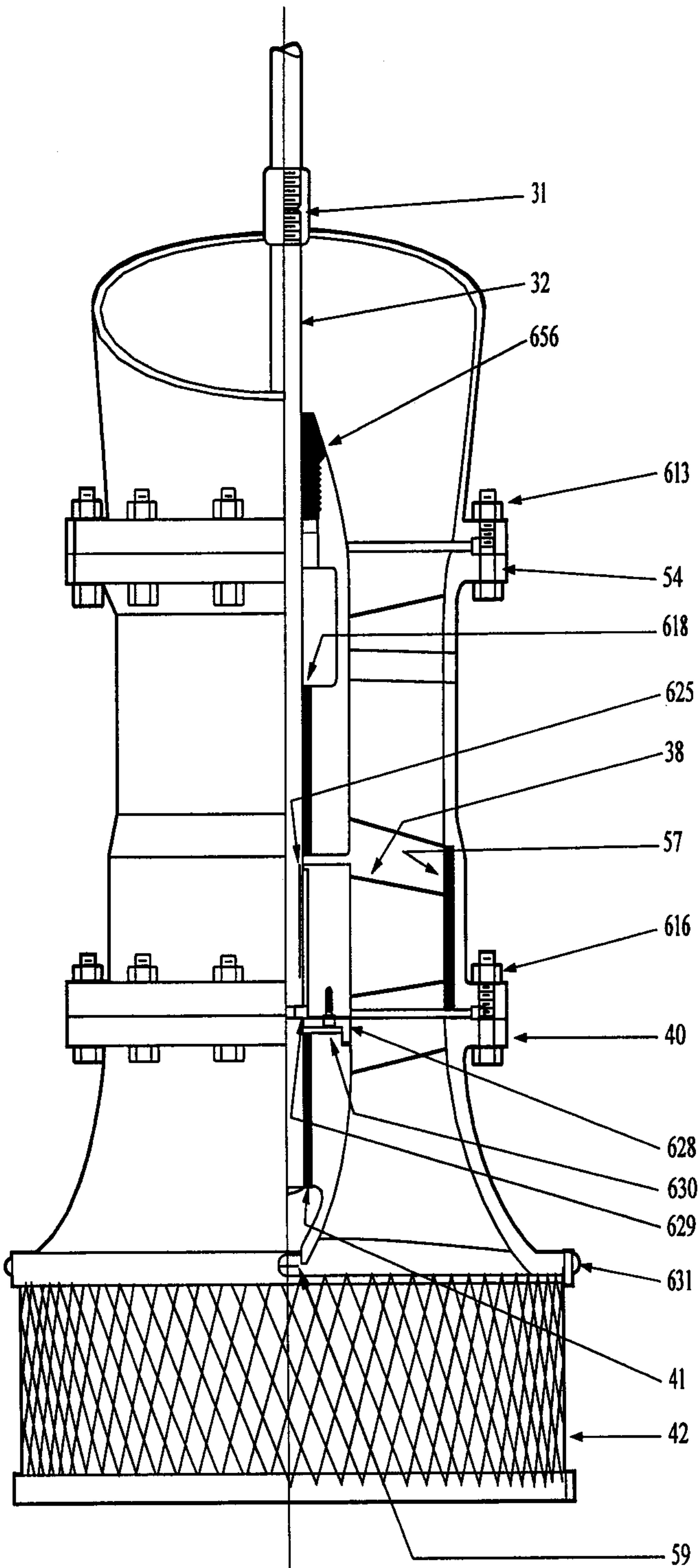




Single Stage Propeller Pump Bowl Assembly Open Line Shaft



Item No.	Part Name	Material	
		Standard	Optional
31	Imp. Shaft Coupling	Steel	
32	Imp. Shaft	416 S.S.	
38	Impeller	Bronze	
40	Suction Bell	C.I. CL. 30	
41	Bearing, Suction	Bronze	
42	Strainer	GLV. STL	
54	Bowl	C.I. CL. 30	
57	Liner (Optional)	Bronze	
59	Suction Plug	Cast Iron	
613	Fastener, Col/Bowl	Steel	
616	Fastener, Bowl	Steel	
618	Bearing, Bowl	Bronze	
625	Key, Impeller	Stn. Stl.	
628	Retainer, Thrust Ring	Bronze	
629	Split Thrust Ring	Stn. Stl.	
630	Fastener, Retainer	Stn. Stl.	
631	Fastener, Strainer	Stn. Stl.	
656	Bowl Cap	Cast Iron	

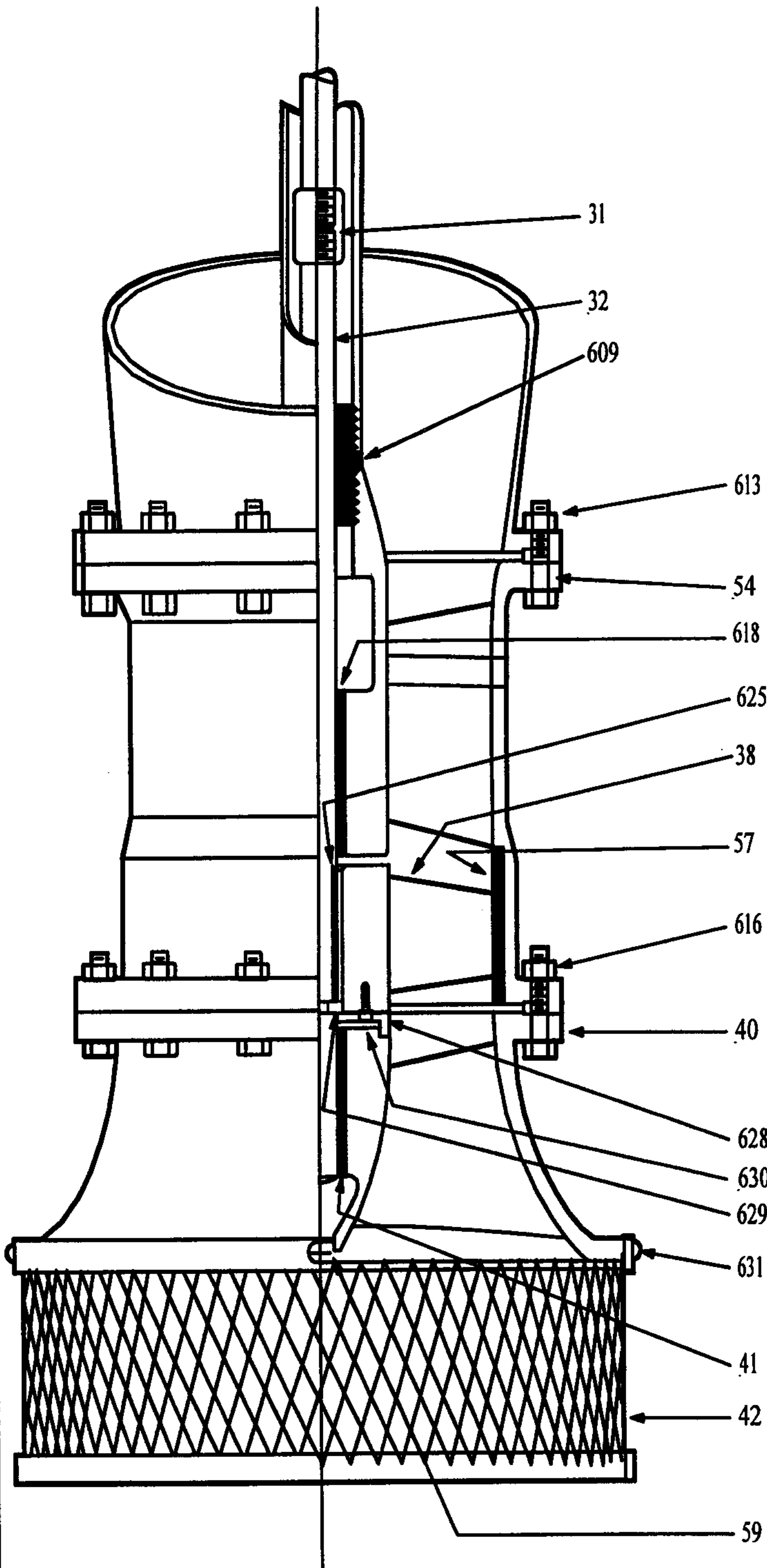
CROSS-SECTIONAL DRAWING

DRAWING NO. _____

DATE: _____

Verti-Line®

Single Stage Propeller Pump Bowl Assembly Enclosed Line Shaft



Item No.	Part Name	Material	
		Standard	Optional
31	Imp. Shaft Coupling	Steel	
32	Imp. Shaft	416 S.S.	
38	Impeller	Bronze	
40	Suction Bell	C.I. CL. 30	
41	Bearing, Suction	Bronze	
42	Strainer	Glv. Stl.	
54	Bowl	C.I. CL. 30	
57	Liner (Optional)	Bronze	
59	Suction Plug	C.I.	
609	Bowl Tube Connector	Bronze	
613	Fastener, Col/Bowl	Steel	
616	Fastener, Bowl	Steel	
618	Bearing, Bowl	Bronze	
625	Key, Impeller	Stn. Stl.	
628	Retainer, Thrust Ring	Bronze	
629	Split Thrust Ring	Stn. Stl.	
630	Fastener, Retainer	Stn. Stl.	
631	Fastener, Strainer	Stn. Stl.	

CROSS-SECTIONAL DRAWING

DRAWING NO. _____

DATE: _____



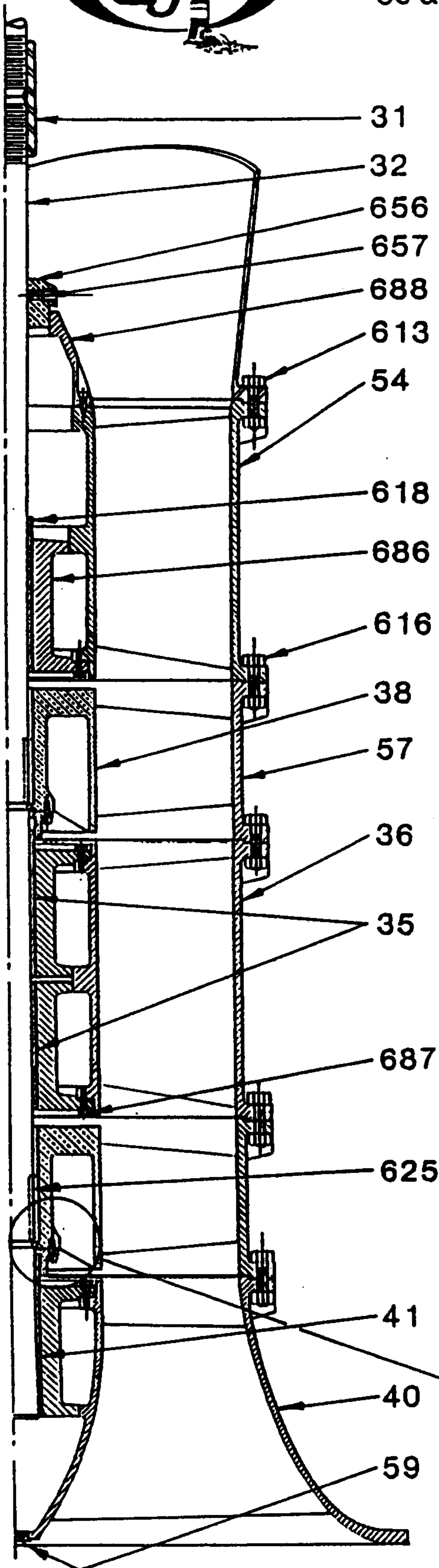
SECTIONAL DRAWING

36 & 42P 2STG PROPELLER PUMPS

OPEN LINE SHAFT

DWG. NO.: _____

DATE: _____



ITEM NO	PART NAME	MATERIAL	
		STD	OPT
31	SHAFT COUPLING	CAR STL	
32	IMPELLER SHAFT	416 SS	
35	BEARING, INT BOWL (2)	BRONZE	
36	INTERMEDIATE BOWL	C.I. CL 30	
38	PROPELLER	BRONZE	
40	SUCTION BELL	C.I. CL 30	
41	BEARING, SUCT BELL	BRONZE	
54	DISCHARGE CASE	C.I. CL 30	
57	LINER	C.I. CL 30	
59	PLUG, SUCT BELL	CAST IRON	
613	FASTENER, BOWL/COL	CAR STL	
616	FASTENER, BOWL JOINT	CAR STL	
618	BEARING, DISCH CASE	BRONZE	
625	KEY, PROPELLER	STN STL	
628	RETAINER, THRUST RING	BRONZE	
629	SPLIT THRUST RING	STN STL	
630	CAP SCREW, THRUST RING RET	STN STL	
656	DISCHARGE CASE CAP	BRONZE	
657	SET SCREW, DISCH CASE CAP	STN STL	
686	BEARING CARTRIDGE	C.I. CL 30	
687	CAP SCREW, CARTRIDGE & CONE	STN STL	
688	ADAPTOR CONE	C.I. CL 30	

