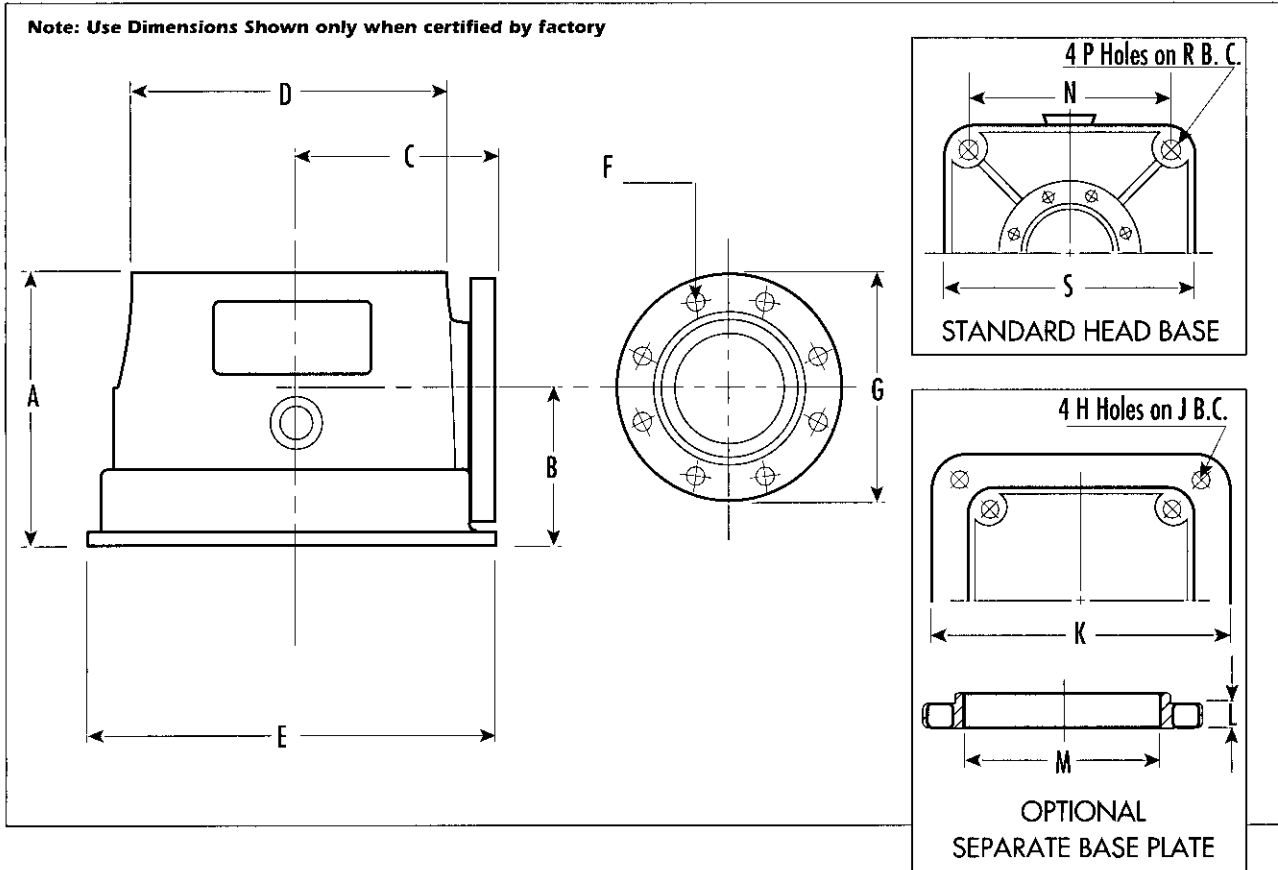


ENGINEERING data
DISCHARGE HEAD

CAST IRON - WL HEAD 6" - 14"

Note: Use Dimensions Shown only when certified by factory



All Dimensions in Inches

MODEL	A	B	C	D	E	F	G	H	J	K	L	M	N	P	R	S
12WL6	13	6-7/8	7-1/16	10,12	14-1/8	8-3/4 Taps	11	7/8	19-13/16	17	2	12-7/8	10-1/2	13/16	14-7/8	14-1/8
18WL8	15-1/16	8	11	16 5,20	22-1/8	8-3/4 Taps	13-1/2	7/8	30-3/8	26-1/2	2	20-7/8	17	7/8	24	22-1/8
18WL10	19	10	11-1/8	16 5,20	22-1/8	12-7/8 Taps	16	7/8	30-3/8	26-1/2	2	20-7/8	17	7/8	24	22-1/8
20WL12	22-1/4	12	13	20,24 5	26-1/8	12-1 Holes	19-1/4	7/8	35-1/4	30	2	24-11/16	20	7/8	28-1/4	26-1/8
25WL14	25	13	16	24 5	32	12 1 1/8 Holes	21	—	—	—	—	—	25	1-3/32	35-3/8	32

