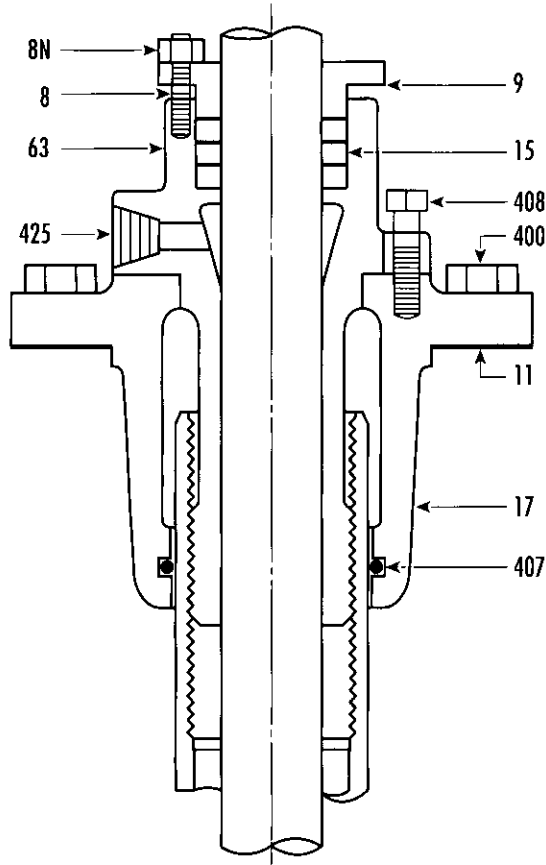


**ENGINEERING data**  
**STUFFING BOX**

**STYLE 60 STUFFING BOX W/PACKING**  
**(For Forced Water Lubrication)**



ITEM. NO.	PART NAME	MATERIAL	
		STD.	OPTIONAL
17A	TENSION BOX ASSY	—	
8	STUD, SPLIT GLAND	STN STL	
8N	HEX NUT, SPLIT GLAND	BRASS	
9	SPLIT GLAND	BRONZE	
* 11	GASKET TEN BOX/HD	—	
15	PACKING (3 RINGS)	ACRYLIC	
17	TENSION BOX	C I CL30	
63	TENSION BEARING	BRONZE	
400	CAPSCREW, TEN BOX/HD	STEEL	
407	O' RING	RUBBER	
408	LOCK SCREW	STEEL	
425	INLET CONNECTION SEE BELOW FOR SIZE		

\* Optional-furnished when specified or when pressure is 250 PSI or greater

SIZE SHAFT X TUBE	SIZE NPT CONN.
7/8 X 1-1/4 THRU 1-3/16 X 2	1/4
1-1/2 X 2-1/2 THRU 1-15/16 X 3	3/8

SIZE SHAFT X TUBE	SIZE NPT CONN.
2-3/16 x 3-1/2 thru 2-11/16 x 4	1/2
2-15/16 x 5 thru 3-15/16 x 6	3/4

