



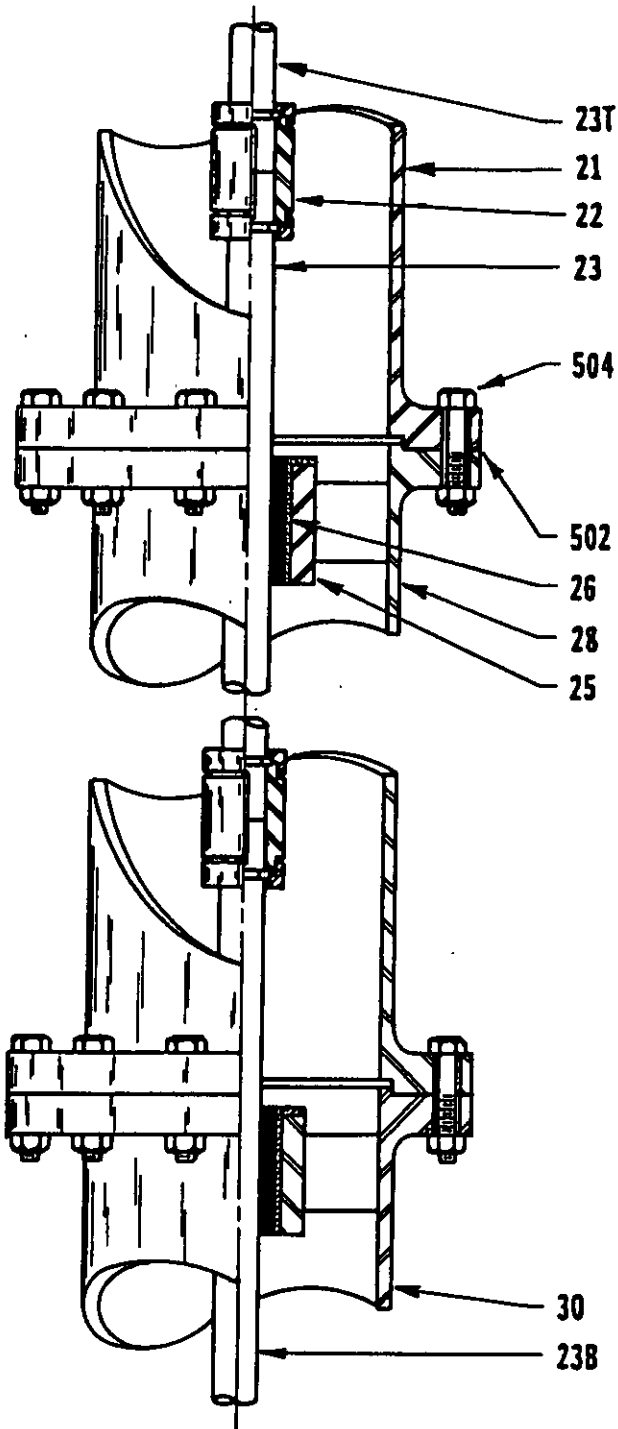
VERTI-LINE PUMPS

Layne & Bowler - A Division of the Marley Company

**SECTIONAL DRAWING
FABRICATED FLANGED
OPEN LINE SHAFT COLUMN
FABRICATED SPIDER**

DWG NO: _____

DATE: _____



ITEM NO.	PART NAME	MATERIAL	
		STD.	OPTIONAL
518	COLUMN ASSY.	-----	
21	TOP PC. COL. PIPE	STEEL	
22	LINE SHAFT COUPLING	STEEL	
23	LINE SHAFT	STEEL	
23B	BOT. PC. LINE SHAFT	STEEL	
23T	TOP PC. LINE SHAFT	STEEL	
25	SPIDER	STEEL	
26	BEARING, LINE SHAFT	RUBBER	
28	COLUMN PIPE	STEEL	
30	BOT. PC. COL. PIPE	STEEL	
502	GASKET, COL.	-----	
504	MACH. BOLT, COL.	STEEL	