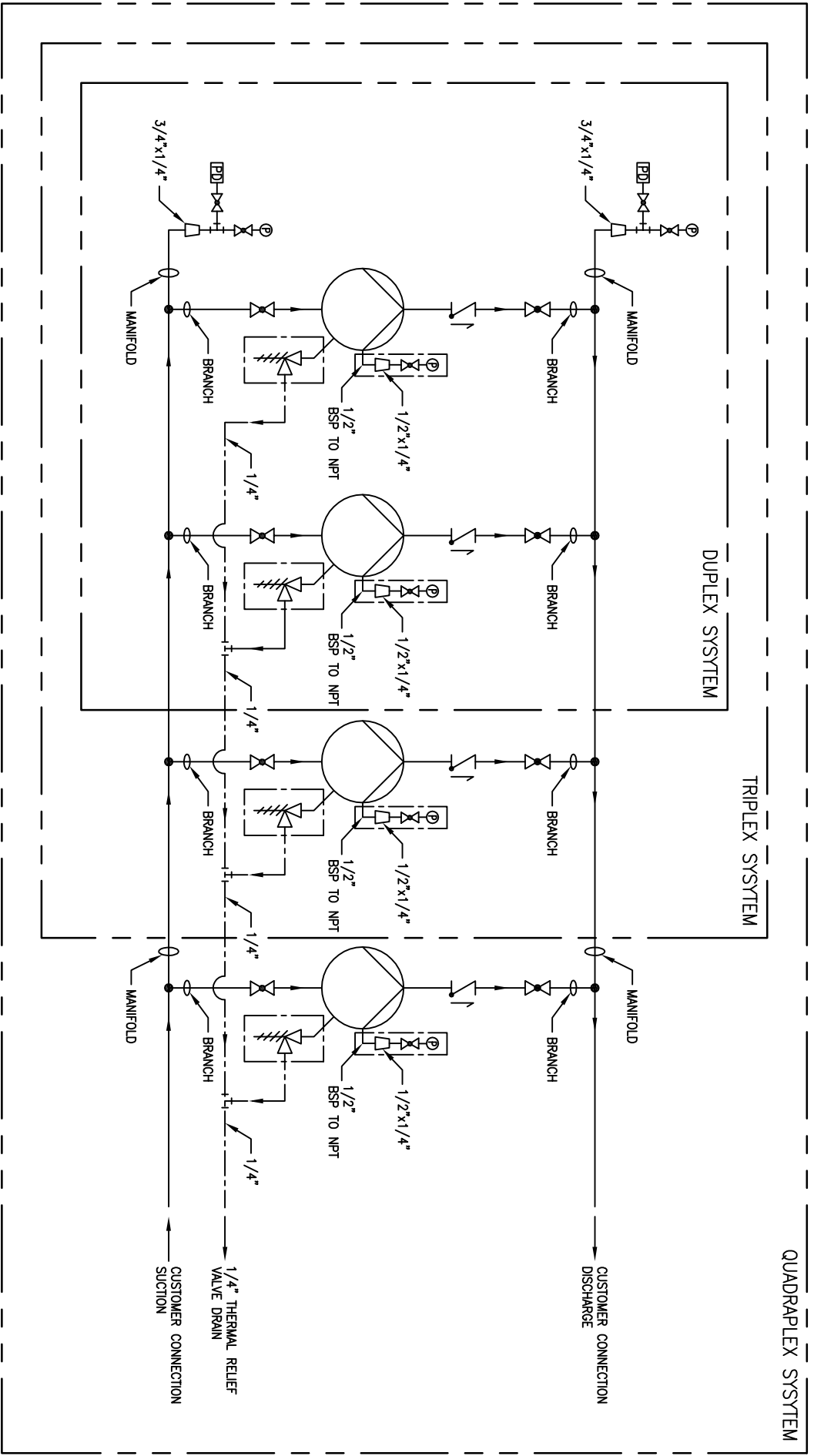


LEGENDS	
	BUTTERFLY VALVE
	CHECK VALVE
	THERMAL RELIEF VALVE
	INCRASFER/REDUCER
	PRESSURE GAUGE
	PRESSURE TRANSDUCER
	PUMP



PWM[X] PUMP	MANIFOLD	BRANCH
PWM[X] 1, 3 & 5	3"	1-1/4"
PWM[X] 10 & 15	4"	2"
PWM[X] 20	6"	2"
PWM[X] 33	6"	2-1/2"

OPTIONAL FEATURES

NOTES:

REV	ZONE	DATE	DESCRIPTION	BY	CHKD
A	ALL	09/27/16	INITIAL RELEASE	CS	SM

STANDARD DIMENSIONS UNLESS OTHERWISE SPECIFIED

NOTES:
1. ALL DIMENSIONS ARE IN INCHES UNLESS OTHERWISE SPECIFIED.
2. ALL DIMENSIONS MUST BE FROM SCALE UNLESS OTHERWISE SPECIFIED.
3. ALL DIMENSIONS MUST BE FROM SCALE UNLESS OTHERWISE SPECIFIED.
4. ALL DIMENSIONS MUST BE FROM SCALE UNLESS OTHERWISE SPECIFIED.

DO NOT SCALE DRAWING	SCALE	1:1
PATTERN NUMBER		

COMPANY CONFIDENTIAL. Information contained herein is the property of PENTAIR. It is to be used solely for the purpose provided, and it is not to be disclosed to others without the prior written consent of PENTAIR.

PENTAIR

INTELLIBOOST BOOSTER SYSTEM

P & I DIAGRAM

DRAWN BY: CS DATE: 05/31/16 CHECKED BY: DHT
 PART NUMBER: ID PART NUMBER: 295 0006 0001 REV: A