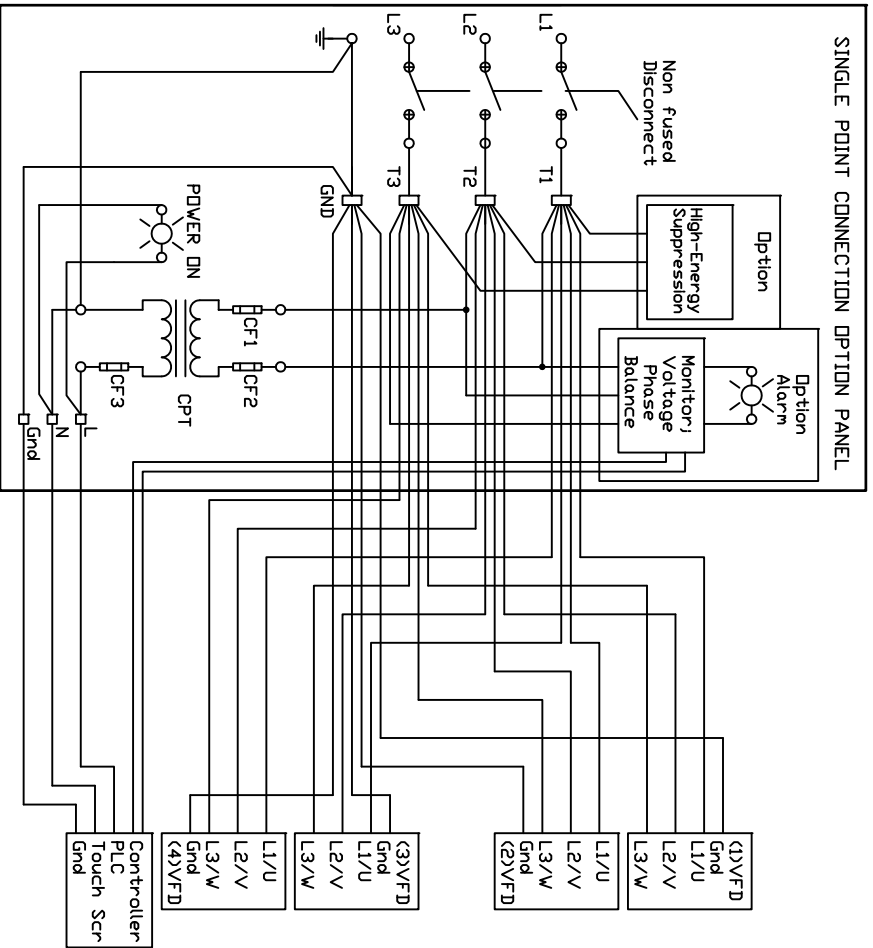


# SINGLE POINT CONNECTION OPTION PANEL FOR INTELLIBOOST

Shown Here as connected at Factory



SUPPLY:  
600V  
480V  
240V  
208V  
3/1 Ph

BRANCH  
CIRCUIT  
PROTECTION  
REQUIRED

CPT 150VA  
600-480-230-208V/120V

High-Energy Suppression
Voltage Monitor

Choose Configuration  
Options:

Distribution Equipment Qty:	1
	2
	3
	4

Enclosures -Metal NEMA 4  
Type 3R Assembled

Height x Width x Depth	Amps
30A 16 x 12 x 8	30A
60A 16 x 12 x 8	60A
100A 24 x 20 x 8	100A
200A 30 x 20 x 10	200A
400A 30 x 30 x 12	400A
600A 36 x 36 x 12	600A

**Pentair Water**  
800 Airport Rd  
North Aurora, IL

COMPANY CONFIDENTIAL. Information contained herein is confidential, it is the property of Pentair Water. It is to be used solely for the purpose provided, and it is not to be disclosed to others without the prior written consent of Pentair.

TITLE DWG IntelliBoost 2.0 Single Point

SIZE	INTERN CODE	DWG NO.	REV
A	CSC01	DP P01 EC101A	B

SCALE	None	10/7/13	SHEET	1 of 1	RC
-------	------	---------	-------	--------	----