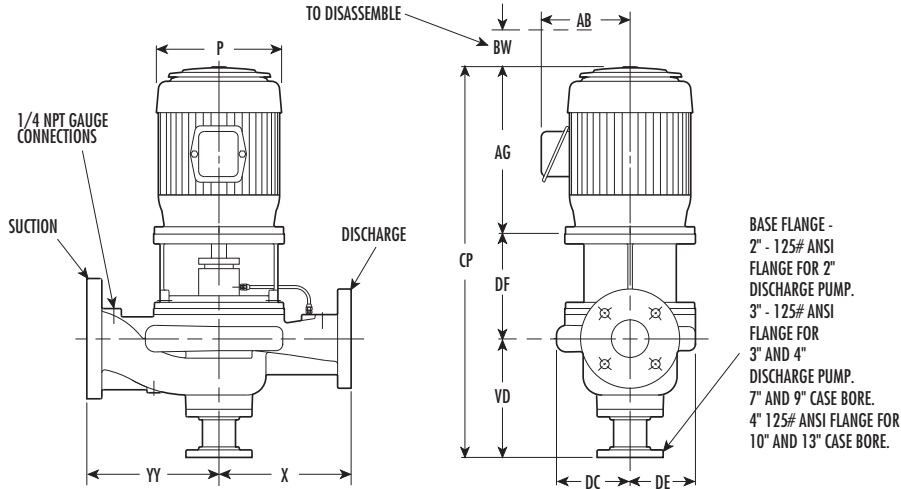


## INLINE FIRE PUMP

Date **October, 2011**

Supersedes Section 911 Page 201

Dated Nov., 2005



**NOTES:**

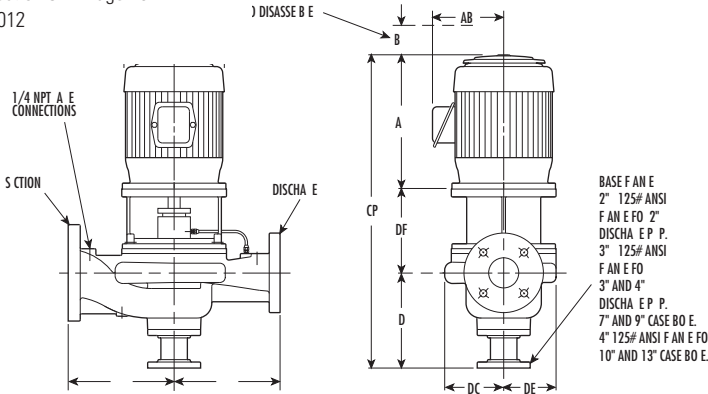
1. All dimensions in inches (mm).
2. Dimensions may vary  $\pm 1/4$ .
3. Not for construction purposes unless certified.
4. Suction and discharge flanges are 125# ANSI as standard. 250# suction and discharge or 125# suction/250# discharge available as option for 9 inch and 10 inch case bore pumps only.

Pump Model	Pump Size Disch. x Suct. x Case Bore	GPM Pump Rating	X	YY	BW (Min.)	VD	DF		DC	DE	Pump Wt. Lbs. (Kg) Approx.		
							184JP	213JP through 365JP			184JP	213JP through 256JP	284JP through 365JP
2" 1591CF	2 x 2 x 9	50, 100	9.5 (241)	9.5 (241)	4.5 (114)	9.25 (235)	7.81 (198)	8.63 (219)	5.75 (146)	6.25 (159)	117 (53.1)	130 (59)	-
3" 1591AF	3 x 3 x 7	100, 150, 200	9.5 (241)	9.5 (241)	4.5 (114)	10.25 (260)	8.0 (203)	8.81 (224)	5.19 (132)	6.13 (156)	140 (63.5)	153 (69.4)	159 (72.1)
3" 1591BF	3 x 3 x 7	250	9.5 (241)	9.5 (241)	4.5 (114)	10.25 (260)	-	8.81 (224)	5.19 (132)	6.13 (156)	-	153 (69.4)	159 (72.1)
3" 1591CF	3 x 4 x 7	250, 300	11 (279)	11 (279)	3.75 (95)	10.75 (273)	-	9.13 (232)	5.13 (130)	6.38 (162)	-	130 (59)	-
3" 1593F	3 x 4 x 9	250	11 (279)	11 (279)	4.5 (114)	9.88 (251)	8.25 (210)	8.88 (225)	5.75 (146)	6.5 (165)	178 (80.7)	191 (86.6)	196 (88.9)
3" 1592AF	3 x 3 x 9	150, 200	11 (279)	11 (279)	4.5 (114)	10.25 (260)	7.94 (202)	8.75 (222)	6 (152)	6.75 (171)	152 (68.9)	165 (74.8)	170 (77.1)
3" 1593BF	3 x 4 x 9	300	11 (279)	11 (279)	4.25 (108)	10.88 (276)	-	9.25 (235)	5.75 (146)	6.63 (168)	-	-	150 (68)
4" 1591BF	4 x 4 x 7	300, 400, 450, 500	11 (279)	11 (279)	4.5 (114)	11.25 (286)	-	9.31 (237)	5.56 (141)	7.31 (186)	-	191 (86.6)	197 (89.4)
4" 1591CF	4 x 4 x 7	400, 450, 500	11 (279)	11 (279)	4.5 (114)	11.25 (286)	-	9.63 (244)	5.5 (140)	7.38 (187)	-	-	175 (79.4)

ODP Frame	AG Approx.	P	AB Approx.	Motor Wt. Lbs. (Kg)	CP							
					2" 1591CF	3" 1591AF 3" 1591BF*	3" 1591CF	3" 1593F	3" 1592AF	3" 1593BF	4" 1591BF	4" 1591CF
184JP	15 (381)	10.38 (264)	7 (178)	95 (43.1)	32.13 (816)	28.63 (727)	-	33.13 (841)	33.25 (845)	-	-	-
213JP	17 (432)	12.25 (311)	7.63 (194)	135 (61.2)	35 (889)	36 (914)	-	35.75 (908)	36 (914)	-	-	-
215JP	17 (432)	12.25 (311)	7.63 (194)	155 (70.3)	35 (889)	36 (914)	-	35.75 (908)	36 (914)	-	37.75 (959)	-
254JP	21 (533)	13 (330)	8.88 (225)	195 (88.5)	39 (991)	40 (1016)	37.88 (962)	39.75 (1010)	40 (1016)	-	41.63 (1057)	-
256JP	21 (533)	13 (330)	9.25 (235)	256 (116.1)	39 (991)	-	37.88 (962)	39.75 (1010)	40 (1016)	-	41.63 (1057)	-
284JP	22 (559)	15.75 (400)	11.38 (289)	271 (122.9)	-	-	-	40.75 (1035)	41 (1041)	38.13 (968)	42.63 (1083)	38.88 (987)
286JP	22 (559)	15.75 (400)	11.38 (289)	320 (145.1)	-	-	-	40.75 (1035)	41 (1041)	38.13 (968)	42.63 (1083)	38.88 (987)
324JP	24 (610)	17.75 (451)	13.25 (337)	420 (190.5)	-	-	-	-	43 (1092)	-	-	-

\* Not available with 184JP frame.





NOTES:

1. All dimensions in inches (mm).
2. Dimensions may vary  $\pm 1/4$ .
3. Not for construction purposes unless certified.
4. Suction and discharge flanges are 125# ANSI as standard. 250# suction and discharge or 125# suction/250# discharge available as option for 9 inch and 10 inch case bore pumps only.

Pump Model	Pump Size Disch x Suct x Case Bore	GPM Pump Rating	X	YY	BW (Min.)	VD	DF				DC	DE	Pump Wt. Lbs. (Kg) Approx.				
							184JP	213JP through 365JP	364HP through 445HP	405 TCZ through 445 TCZ			184JP	213JP through 256JP	284JP through 365JP	364HP through 445HP	405 TCZ through 445 TCZ
4" 1592F	4 x 5 x 9	300, 400, 450	11 (279)	11 (279)	4.5 (114)	11 (279)	8.38 (213)	9 (229)	-	-	6 (152)	7.13 (181)	214 (97.3)	227 (103)	232 (105.2)	-	-
4" 1593BF	4 x 5 x 9	300, 400, 450, 500	11 (279)	11 (279)	4.5 (114)	11 (279)	8.38 (213)	9 (229)	-	-	6 (152)	7.13 (181)	214 (97.3)	227 (103)	232 (105.2)	-	-
4" 1593CF	4 x 5 x 9	500	11 (279)	11 (279)	4.5 (114)	11 (279)	-	9 (229)	-	-	6 (152)	7.13 (181)	-	-	232 (105.2)	-	-
4" 1594F	4 x 6 x 10	400, 450, 500	14 (356)	14 (356)	5 (127)	13.06 (332)	-	9.06 (230)	-	-	7 (178)	8.5 (216)	-	-	351 (159.2)	-	-
4" 1594BF	4 x 6 x 10	750	14 (356)	14 (356)	5 (127)	13.06 (332)	-	9.06 (230)	-	-	7 (178)	8.5 (216)	-	-	351 (159.2)	-	-
4" 1593F	4 x 6 x 13	750	16 (406)	16 (406)	5.38 (137)	13.81 (351)	-	9.19 (233)	-	-	9 (229)	10.5 (267)	-	-	421 (191)	-	-
8" 1593F	8 x 8 x 15	1000, 1250, 1500	22.5 (572)	22.5 (572)	12.91 (328)	12.13 (308)	-	-	19 (483)	-	10.38 (263)	12.94 (329)	-	-	-	812 (368)	-
8" 1595F	8 x 8 x 18	1000, 1250	25 (635)	22.5 (572)	8.06 (205)	18.88 (479)	-	-	-	10.75 (273)	11.75 (298)	14.38 (365)	-	-	-	-	1020 (463)
8" 1595AF	8 x 8 x 18	1500	25 (635)	22.5 (572)	8.06 (205)	18.88 (479)	-	-	-	10.75 (273)	11.75 (298)	14.38 (365)	-	-	-	-	1020 (463)

ODP Frame	AG Approx.	P	AB Approx.	Motor Wt. Lbs. (Kg)	CP				
					4"-1592F 4"-1593BF* 4"-1593CF*	4"-1594F 4"-1594BF	4"-1593F	8" 1593F	8" 1595F 8" 1595AF
184JP	15 (381)	10.38 (264)	7 (178)	95 (43)	34.38 (873)	-	-	-	-
213JP	17 (432)	12.25 (311)	7.63 (194)	135 (61)	37 (940)	-	-	-	-
215JP	17 (432)	12.25 (311)	7.63 (194)	155 (70)	37 (940)	-	-	-	-
254JP	21 (533)	13 (330)	8.88 (225)	195 (89)	41 (1041)	-	-	-	-
256JP	21 (533)	13 (330)	9.25 (235)	256 (116)	41 (1041)	-	-	-	-
284JP	22 (559)	15.75 (400)	11.38 (289)	271 (123)	42 (1067)	-	-	-	-
286JP	22 (559)	15.75 (400)	11.38 (289)	320 (145)	42 (1067)	44.13 (1121)	-	-	-
324JP	24 (610)	17.75 (451)	13.25 (337)	420 (191)	44 (1118)	46.13 (1172)	46.25 (1175)	-	-
326JP	24 (610)	17.75 (451)	13.25 (337)	460 (209)	44 (1118)	46.13 (1172)	46.25 (1175)	-	-
364JP	26 (660)	20 (508)	16 (406)	600 (272)	-	48.13 (1222)	48.25 (1226)	-	-
365JP	26 (660)	20 (508)	16 (406)	750 (340)	-	48.13 (1222)	48.25 (1226)	-	-
364HP	25 (635)	21 (534)	16 (406)	870 (395)	-	-	-	56.13 (1426)	-
365HP	25 (635)	21 (534)	16 (406)	940 (426)	-	-	-	56.13 (1426)	-
404HP	28 (711)	22 (559)	16.5 (419)	1091 (495)	-	-	-	59.13 (1502)	-
405HP	28 (711)	22 (559)	16.5 (419)	1273 (577)	-	-	-	59.13 (1502)	-
444HP	32 (813)	24 (610)	19.13 (486)	1290 (585)	-	-	-	63.13 (1604)	-
445HP	32 (813)	24 (610)	19.13 (486)	1440 (653)	-	-	-	63.13 (1604)	-
405 TCZ	31.75 (806)	20.38 (518)	16.5 (419)	1387 (629)	-	-	-	-	61 (1549)
444 TCZ	34.38 (873)	23.5 (597)	19.13 (486)	1409 (639)	-	-	-	-	63.25 (1607)
445 TCZ	34.38 (873)	23.5 (597)	19.13 (486)	1496 (679)	-	-	-	-	63.25 (1607)

\* Not available with 184JP frame.

FIRE PUMP ACCESSORIES

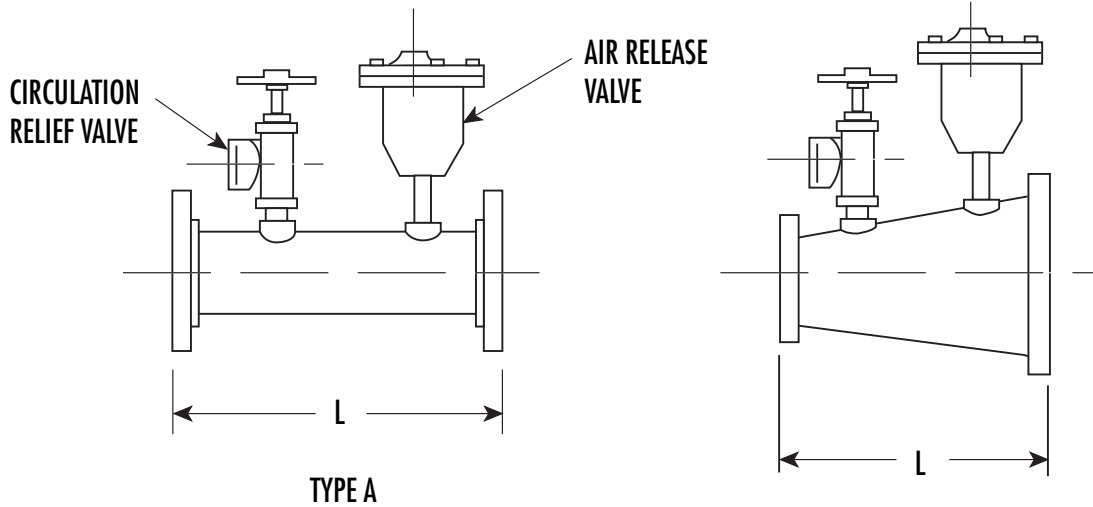
Date **February, 2013**

DISCHARGE FITTINGS

Supersedes Section 911 Page 203

Dated October, 2011

**DISCHARGE FITTINGS FOR  
INSTALLATION OF VALVES**



**TYPE A**

**TYPE B**

Pump Size	Flow Rating	Fitting Type	Fitting Size	Discharge Fitting Only					
				150# Flanges			300# Flanges		
				Opt. No.	L	Wt. (Lb.)	Opt. No.	L	Wt. (Lb.)
3 x 3 x 7A	100	A	3 x 3	74BA	14	25	N/A	N/A	N/A
3 x 3 x 7B	150								
3 x 3 x 7C	200	B	3 x 4	74BP	10	32	N/A	N/A	N/A
3 x 4 x 7C	250								
3 x 4 x 7C	300	A	4 x 4	74BB	16	39	N/A	N/A	N/A
3 x 4 x 9B	300								
4 x 4 x 7B	300	B	4 x 5	74BC	11.75	42	N/A	N/A	N/A
4 x 4 x 7C	400								
4 x 4 x 7B	450	A	2 x 2	74BD	14	14	74BJ	14	14
4 x 4 x 7C	500								
4 x 4 x 7B	450	A	3 x 3	74BA	14	25	74BK	14	35
4 x 4 x 7C	500								
2 x 2 x 9C	50	A	4 x 4	74BB	16	39	74BL	16	57
3 x 3 x 9A	100								
3 x 3 x 9A	150	B	4 x 5	74BC	11.75	45	74BM	12.5	65
3 x 3 x 9	200								
3 x 3 x 9	250	A	4 x 6	74BH	12.25	52	74BN	13	82
4 x 4 x 9	300								
4 x 4 x 9B	400	B	4 x 6	74BH	12.25	52	74BN	18.725	82
4 x 4 x 9B	400								
4 x 6 x 10	400	N/A	N/A	N/A	N/A	N/A	N/A	N/A	N/A
4 x 6 x 10	450								
4 x 5 x 9B	500	N/A	N/A	N/A	N/A	N/A	N/A	N/A	N/A
4 x 5 x 9C	750								
4 x 6 x 10	750	N/A	N/A	N/A	N/A	N/A	N/A	N/A	N/A
4 x 6 x 10B	1000								
4 x 6 x 13	1250	N/A	N/A	N/A	N/A	N/A	N/A	N/A	N/A
8 x 8 x 18/18A	1500								

**NOTES:**

1. All dimensions in inches and may vary by 3/8".
2. Flanges are ANSI Class 150 or Class 300 steel.

N/A – Not Applicable

**THIS PAGE LEFT INTENTIONALLY BLANK**