

MARINE PRODUCT DATA SHEET

OEM: 1700-000-030 (500 GPH)
AFTERMARKET: 1700-001-030 (500 GPH)

APPLICATION

12V DC Bait/Livewell tanks water circulation

PUMP

Type: Centrifugal Pump, Magnetic Drive
Outlet Port: 3/4" Barb
Inlet Port: 3/4" NPT-M
Wash-Down Port: 1/2" NPT-F
Liquid: 130 °F [54 °C] Max
Prime: Flooded Inlet
Inlet PSI: 30 PSI [2.1 Bar] Max
Run Dry: Yes



ELECTRICAL

Motor: 12VDC Permanent Magnet, Continuous Duty
Protection: Need External Fuse (Not supplied)
Leads: 6 ft. [1.8M] Tinned, Twisted Jacketed Cable
Fuse: 2 Amp Recommended
Control: No Control

MATERIALS

Housing: High Strength Nylon
Impeller: Acetal
Hardware: Stainless Steel

APPROVALS

Ignition Protected 8846, CE

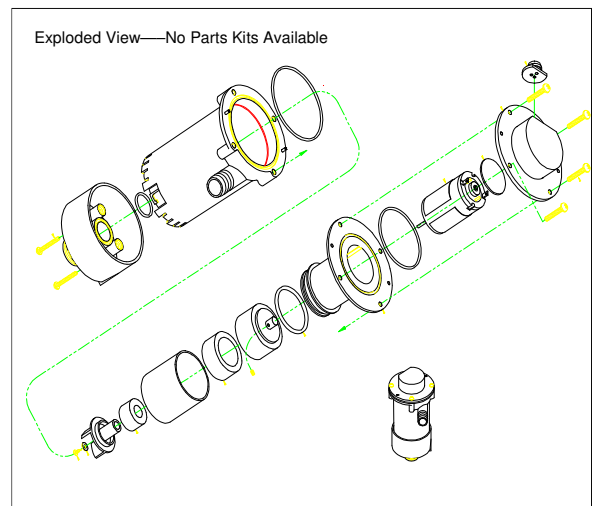
SHIPPING

Approx. Net Weight: 2.5 Lbs. [1.1 Kg] each
Approx. Lbs./Ctn. 14 Lbs. [6.3 Kg]
Pumps in Carton: 6
Approx. Carton Size: 16"L x 11"W x 11" H
[41cm x 28 cm x 28 cm]

RELATED DOCUMENTS

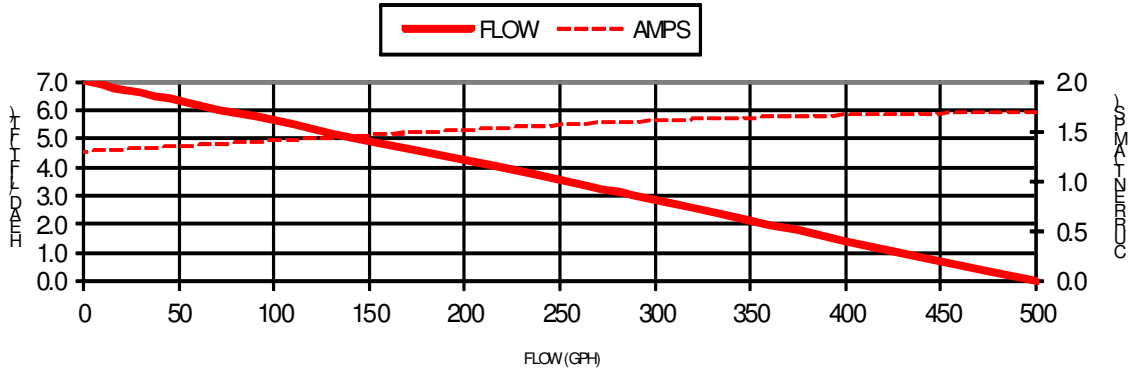
Catalog: MS-030-140
Applications Spec Guide: MS-020-005
Installation Manual: 911-466
Aftermarket Warranty: 911-1045

The Bait Sentry Livewell Pumps are designed for easy installation and trouble-free operation. Magnetic Drive technology eliminates unnecessary failures. Motors keep running after ingesting debris or even when running dry. Patented anti-airlock feature allows the pump to clear trapped air in rough water or when boat is anchored. Includes dual port for easy washdown pump connection.

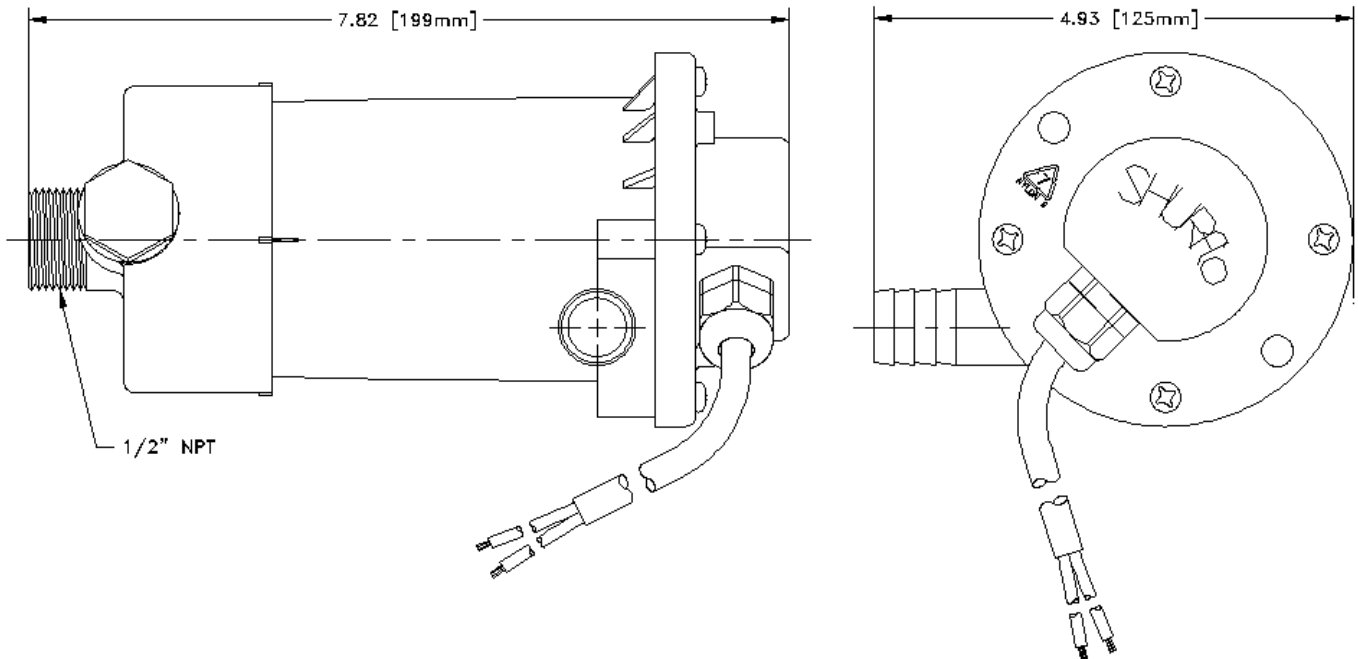


TYPICAL PERFORMANCE

PRESSURE		FLOW		CURRENT
METERS	FT OF HEAD	GPH	LPH	AMPS
0.0	0	500	1892	1.7
0.9	3	289	1093	1.6
2.1	7	0	0	1.3



DIMENSIONS [mm]



3545 Harbor Gateway South, Suite 103, Costa Mesa, CA 92626, (800) 854-3218 www.SHURFLO.com

All Pentair trademarks and logos are owned by Pentair, Inc. All other brand or product names are trademarks or registered marks of their respective owners. Because we are continuously improving our products and services, Pentair reserves the right to change specifications without prior notice. Pentair is an equal opportunity employer.

1700-000-030 [001] Rev. 12/16 2001 - 2016 ©Pentair, Inc. All Rights Reserved.