

# MARINE PRODUCT DATA SHEET

**OEM:** 357-013-00 (600 GPH)  
**AFTERMARKET:** 357-013-10 (600 GPH)

## APPLICATION

12V DC Bait/Livewell tanks water circulation

## PUMP

Type: Centrifugal Pump  
Outlet Port: 3/4" Barb  
Inlet Port: 3/4" NPT-M  
Washdown Port: 1/2" MPT-F  
Liquid: 130 °F [54 °C] Max  
Prime: Flooded Inlet  
Inlet PSI: 30 PSI [2.1 Bar] Max  
Run Dry: No

## ELECTRICAL

Motor: 12VDC Permanent Magnet,  
Continuous Duty  
Protection: Need External Fuse (Not supplied)  
Leads: 6 ft [1.8M] Tinned, 16 AWG  
Fuse: 3 Amp Recommended  
Control: No Control

## MATERIALS

Housing: High Strength Nylon  
Impeller: High Strength Nylon  
Hardware: Stainless Steel

## APPROVALS

Ignition Protected 8846, CE

## SHIPPING

Approx. Net Weight: 1.4 Lbs. [0.63 Kg] each  
Approx. Lbs./Ctn. 33 Lbs. [15 Kg]  
Pumps in Carton: 24  
Approx. Carton Size: 24"L x 18"W x 11" H  
[61cm x 46 cm x 28 cm]

## RELATED DOCUMENTS

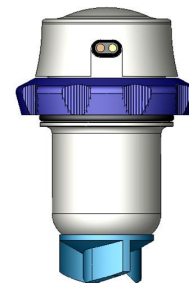
Catalog: MS-030-140  
Applications Spec Guide: MS-020-005  
Installation Manual: 911-611  
Aftermarket Warranty: 911-1045



Everything you are looking for in a livewell pump. Our tough, high density nylon housing and heavy duty water cooled motor give the SHURflo Livewell Pumps unparalleled reliability. Patented anti-airlock feature allows the pump to clear trapped air in rough water or when the boat is anchored. The dual port fitting allows for easy washdown pump connections. All Piranha Series Livewell Pumps have a removable cartridge for easy cleaning.

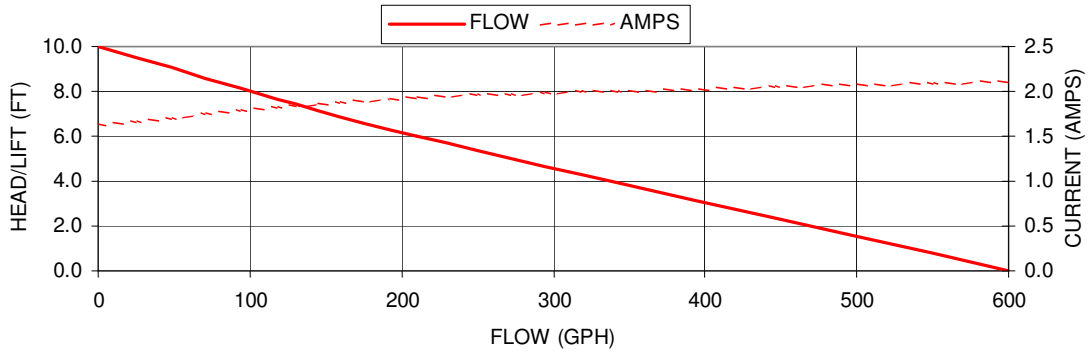
### Replacement Kit

94-619-00

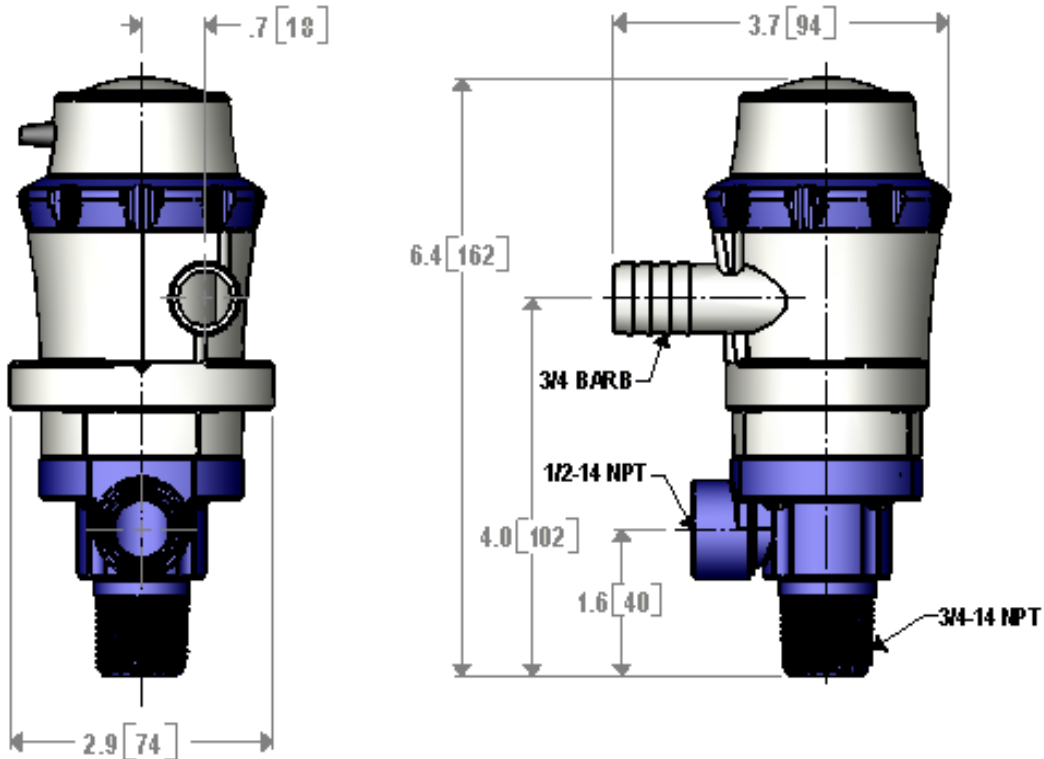


### TYPICAL PERFORMANCE

PRESSURE		FLOW		CURRENT
METERS	FT OF HEAD	GPH	LPH	AMPS
0.0	0	600	2271	2.11
1.80	6	210	794	1.93
3.00	10	0.0	0.0	1.62



### DIMENSIONS [mm]



#### WATER PURIFICATION

3545 Harbor Gateway South, Suite 103, Costa Mesa, CA 92626, (800) 854-3218 www.SHURFLO.com

All Pentair trademarks and logos are owned by Pentair, Inc. All other brand or product names are trademarks or registered marks of their respective owners. Because we are continuously improving our products and services, Pentair reserves the right to change specifications without prior notice. Pentair is an equal opportunity employer.