



MYERS[®]
MODELS 4VC & 4VCX
4" SOLIDS HANDLING
WASTEWATER PUMPS

STANDARD (4VC) AND HAZARDOUS LOCATION (4VCX) CONSTRUCTION



MYERS® MODELS 4VC & 4VCX

Solids Handling Wastewater Pumps

Cut Your Pumping Costs

The 4VC and 4VCX (hazardous location) submersible wastewater pumps are a heavy-duty 4" solids handling series capable of passing a full 3-3/16" spherical solid. Myers rounded port, 2-vane, enclosed impellers prevent solids from binding or clogging and offer high operating efficiencies to cut your pumping costs. The 4VC series modified constant velocity volute case provides smooth operation over an extended portion of the performance curve for longer seal and bearing life. For use in municipal lift stations, treatment plants and industrial waste applications. Myers offers a complete line of wastewater pumps, lift-out rail assemblies, controls and accessories to meet your needs. Call your Myers distributor or the Myers sales office at 419-289-1144 for more details.

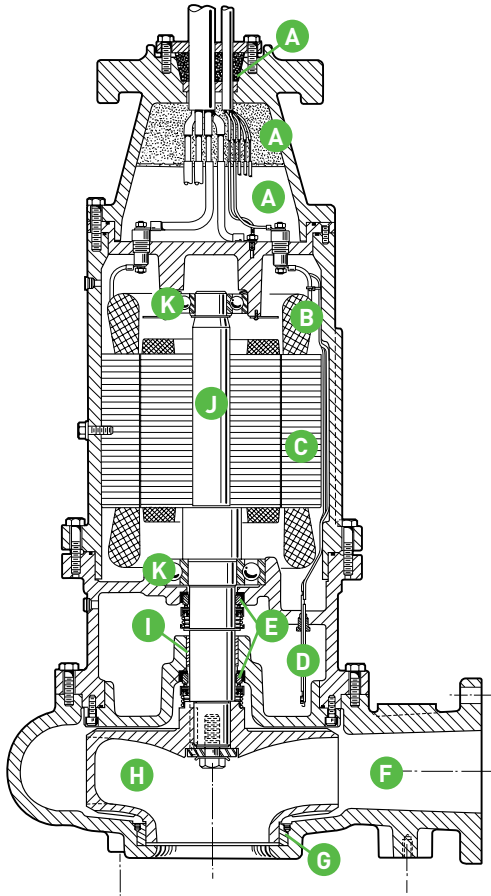


Product Capabilities		
Capacities To	1800 gpm	113.4 lps
Heads To	165 ft.	50.3 m
Solids Handling	3-3/16 in.	80 mm
Liquids Handling	raw unscreened sewage, effluent, drain water	
Intermittent Liquid Temp.	up to 140°F	up to 60°C
Winding Insulation Temp. (Class H)	356°F	180°C
Available Motors	1750 RPM: 15 HP, 200, 230, 460, 575V, 3Ø, 60 Hz. 20-60 HP, 230, 460, 575V, 3Ø, 60 Hz. 1150 RPM: 5 - 10 HP, 200, 230, 460, 575V, 3Ø, 60 Hz. 870 RPM: 2 - 7-1/2 HP, 200, 230, 460, 575V, 3Ø, 60 Hz.	
Std. Third Party Approvals	CSA	
Optional Approvals	FM, Class 1, Groups C & D (4VCX only)	
Acceptable pH Range	6 - 9	
Specific Gravity	.9 - 1.1	
Viscosity	28 - 35 SSU	
Discharge, Horizontal Flanged Centerline	4 in. 125 lb. ANSI	101.6 mm

Note: Consult factory for applications outside these recommendations.

Construction Materials	
Motor Housing, Seal Housing, Cord Cap and Volute Case	cast iron, Class 30, ASTM A48
Enclosed 2-Vane Impeller	ductile iron, Class 65, ASTM A536
Power and Control Cord	S00W, W
Mechanical Seals:	
Standard	double tandem, type 21 carbon and ceramic
Optional	lower tungsten, carbide
Pump, Motor Shaft	416 SST
Fasteners	300 Series SST
Volute Wear Ring	brass

Pump Features and Applications



A. Cable Entry System

Provides triple seal protection. Cable jacket sealed by compression grommet. Individual wires sealed by epoxy potting. Terminal board separates motor chamber from cord cap.

B. Heat Sensor

Protects motor from burnout due to excessive heat from any overload condition. Automatically resets when motor has cooled.

C. Motor Stator

Heat shrunk into housing for perfect alignment and best heat transfer. Oil-filled motor conducts heat and lubricates bearings.

D. Seal Leak Probes

Detect water in seal housing. Activate warning light in control panel.

E. Shaft Seals

Double tandem mechanical shaft seals protect motor. Oil-filled seal chamber provides continuous lubrication.

F. Volute Case

Modified constant velocity volute handles 3-3/16" solids. 4" ANSI 125 lb. flange.

G. Brass Wear Ring

Prevents rust buildup and reduces leakage and wear. Replaceable to restore original running clearances and pump efficiencies.

H. High Efficiency Impeller

2-vane with rounded ports. Handles 3-3/16" solids. Pump-out vanes help keep trash from seal; reduce pressure at seal faces.

I. Sleeve Bearing

Takes radial shock load; provides flame path.

J. Heavy 416 SST Shaft

Corrosion resistant.

K. Ball Bearings

Upper and lower ball bearings support shaft and rotor and take axial and radial loads.

High Efficiency Hydraulic Design Cuts Pumping Costs and Extends Life of Fluid End Components.

- Two-vane, rounded port, enclosed type impellers handle 3-3/16" solids with ease at high operating efficiencies.
- Modified constant velocity volute offers quiet operation, low radial loads over extended portion of performance curve.

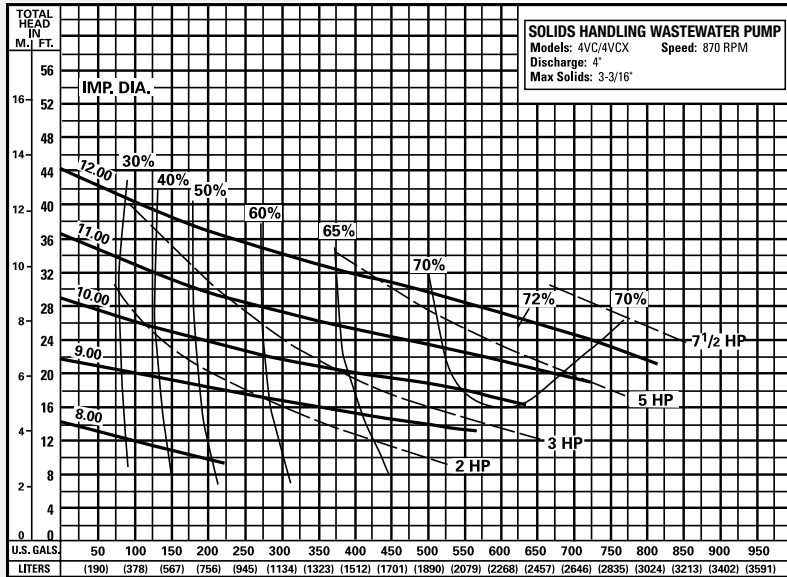
Durable Motor Will Deliver Many Years of Reliable Service.

- Oil-filled motor for maximum heat dissipation and constant bearing lubrication.
- Heat sensor thermostats embedded in windings protect motor from overheat conditions.
- Seal leak probes warn of moisture entry; help prevent costly motor burnout.
- Double tandem shaft seals prevent sewage from entering motor.
- Power and control cables are triple sealed with epoxy, compression grommet and terminal board.

Available with Optional FM Approval for Use In Class 1, Groups C and D Hazardous Locations (4VCX only).

Performance Data

870 RPM



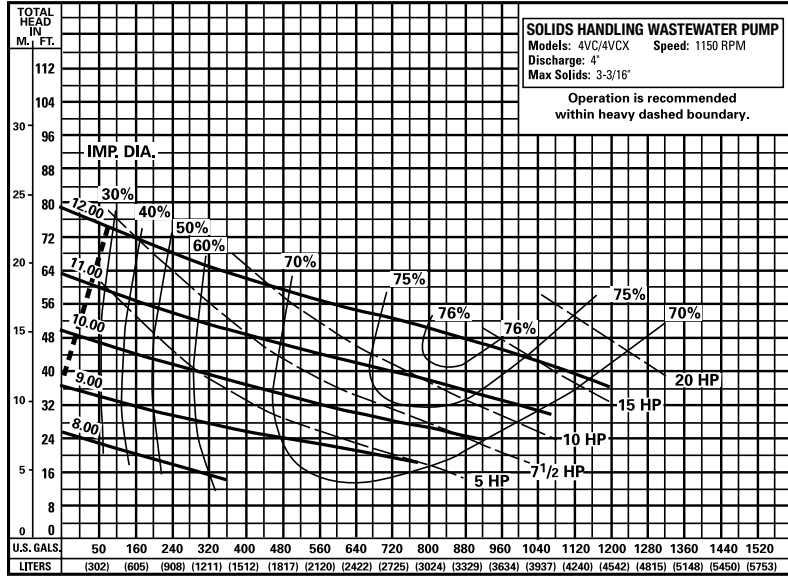
Pump performance is based on clear water (1.0 specific gravity @ 68°F) and pump fluid end (hydraulic) efficiency. Motor data based on 40°C ambient temperature.

Available Models		Motor Electrical Data												
Standard	Hazardous Location	HP	Volts	Phase	Hertz	Start Amps	Run Amps	Service Factor Amps	Run kW	Service Factor kW	Start KVA	Run KVA	NEC Code Letter	Service Factor
4VC20M8-03	4VCX20M8-03	2	208	3	60	103.5	15.1	18.1	2.7	3.3	36.0	3.8	K	1.2
4VC20M8-23	4VCX20M8-23	2	230	3	60	90	13.3	16	2.7	3.3	36.0	3.8	K	1.2
4VC20M8-43	4VCX20M8-43	2	460	3	60	45	6.7	8	2.7	3.3	36.0	3.8	K	1.2
4VC20M8-53	4VCX20M8-53	2	575	3	60	36	5.3	6.4	2.7	3.3	36.0	3.8	K	1.2
4VC30M8-03	4VCX30M8-03	3	208	3	60	103.5	16.7	20	3.9	4.8	36.0	5.4	H	1.2
4VC30M8-23	4VCX30M8-23	3	230	3	60	90	14.7	17.6	3.9	4.8	36.0	5.4	H	1.2
4VC30M8-43	4VCX30M8-43	3	460	3	60	45	7.3	8.7	3.9	4.8	36.0	5.4	H	1.2
4VC30M8-53	4VCX30M8-53	3	575	3	60	36	5.8	6.7	3.9	4.8	36.0	5.4	H	1.2
4VC50M8-03	4VCX50M8-03	5	208	3	60	103.5	24.1	28.8	6.0	7.3	36.0	8.4	J	1.2
4VC50M8-23	4VCX50M8-23	5	230	3	60	90	21	25	6.0	7.3	36.0	8.4	J	1.2
4VC50M8-43	4VCX50M8-43	5	460	3	60	45	10.5	12.5	6.0	7.3	36.0	8.4	J	1.2
4VC50M8-53	4VCX50M8-53	5	575	3	60	36	8.4	10	6.0	7.3	36.0	8.4	J	1.2
4VC75M8-03	4VCX75M8-03	7.5	208	3	60	149	30.3	36.8	7.7	9.4	52.0	10.6	H	1.2
4VC75M8-23	4VCX75M8-23	7.5	230	3	60	130	26.4	32	7.7	9.4	52.0	10.6	H	1.2
4VC75M8-43	4VCX75M8-43	7.5	460	3	60	65	13.2	16	7.7	9.4	52.0	10.6	H	1.2
4VC75M8-53	4VCX75M8-53	7.5	575	3	60	52	10.6	12.8	7.7	9.4	52.0	10.6	H	1.2

Motor Efficiencies and Power Factor									
		Motor Efficiency %				Power Factor %			
HP	Phase	Service Factor Load	100% Load	75% Load	50% Load	Service Factor Load	100% Load	75% Load	50% Load
2	3	73	72	67	59	72	71	65	55
3	3	74	73	69	62	73	72	66	57
5	3	83	81	76.5	67.5	73	72	66.5	58
7.5	3	83.5	82	77	69	74	73	68	60

Performance Data

1150 RPM



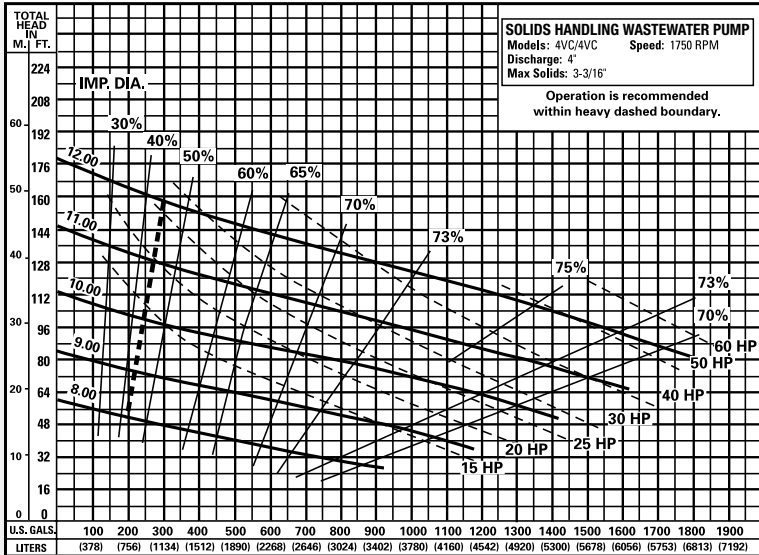
Pump performance is based on clear water (1.0 specific gravity @ 68°F) and pump fluid end (hydraulic) efficiency. Motor data based on 40°C ambient temperature.

Available Models		Motor Electrical Data												
Standard	Hazardous Location	HP	Volts	Phase	Hertz	Start Amps	Run Amps	Service Factor Amps	Run kW	Service Factor kW	Start KVA	Run KVA	NEC Code Letter	Service Factor
4VC50M6-03	4VCX50M6-03	5	208	3	60	106	19.3	23	4.8	5.8	36.7	6.7	J	1.2
4VC50M6-23	4VCX50M6-23	5	230	3	60	92	16.8	20	4.8	5.8	36.7	6.7	J	1.2
4VC50M6-43	4VCX50M6-43	5	460	3	60	46	8.4	10	4.8	5.8	36.7	6.7	J	1.2
4VC50M6-53	4VCX50M6-53	5	575	3	60	37	6.7	8	4.8	5.8	36.7	6.7	J	1.2
4VC75M6-03	4VCX75M6-03	7.5	208	3	60	197	27	32.2	6.8	8.4	68.5	9.4	H	1.2
4VC75M6-23	4VCX75M6-23	7.5	230	3	60	172	23.6	28	6.8	8.4	68.5	9.4	H	1.2
4VC75M6-43	4VCX75M6-43	7.5	460	3	60	86	11.8	14	6.8	8.4	68.5	9.4	H	1.2
4VC75M6-53	4VCX75M6-53	7.5	575	3	60	69	9.4	11.2	6.8	8.4	68.5	9.4	H	1.2
4VC100M6-03	4VCX100M6-03	10	208	3	60	197	34.3	41.4	8.8	10.9	68.5	12.0	H	1.2
4VC100M6-23	4VCX100M6-23	10	230	3	60	172	30	36	8.8	10.9	68.5	12.0	H	1.2
4VC100M6-43	4VCX100M6-43	10	460	3	60	86	15	18	8.8	10.9	68.5	12.0	H	1.2
4VC100M6-53	4VCX100M6-53	10	575	3	60	69	12	14.4	8.8	10.9	68.5	12.0	H	1.2
4VC150M6-03	4VCX150M6-03	15	208	3	60	276	48	59.8	13.0	15.7	95.6	17.5	H	1.2
4VC150M6-23	4VCX150M6-23	15	230	3	60	240	44	52	13.0	15.7	95.6	17.5	H	1.2
4VC150M6-43	4VCX150M6-43	15	460	3	60	120	22	26	13.0	15.7	95.6	17.5	H	1.2
4VC150M6-53	4VCX150M6-53	15	575	3	60	96	17.6	20.8	13.0	15.7	95.6	17.5	H	1.2
4VC200M6-03	4VCX200M6-03	20	208	3	60	333	66.3	80.5	17.2	21.4	115.5	23.0	G	1.2
4VC200M6-23	4VCX200M6-23	20	230	3	60	290	58	70	17.2	21.4	115.5	23.0	G	1.2
4VC200M6-43	4VCX200M6-43	20	460	3	60	145	29	35	17.2	21.4	115.5	23.0	G	1.2
4VC200M6-53	4VCX200M6-53	20	575	3	60	116	23	28	17.2	21.4	115.5	23.0	G	1.2

Motor Efficiencies and Power Factor									
		Motor Efficiency %				Power Factor %			
HP	Phase	Service Factor Load	100% Load	75% Load	50% Load	Service Factor Load	100% Load	75% Load	50% Load
5	3	82	81	77	68	74	72	66	56
7.5	3	84	83	79	71	75	73	66.5	56.5
10	3	87	86	82	75	76	74	67	57
15	3	88	88	86.5	82.5	76	74.5	68	57.5
20	3	88	88	87	83	77	75	69	59

Performance Data

1750 RPM



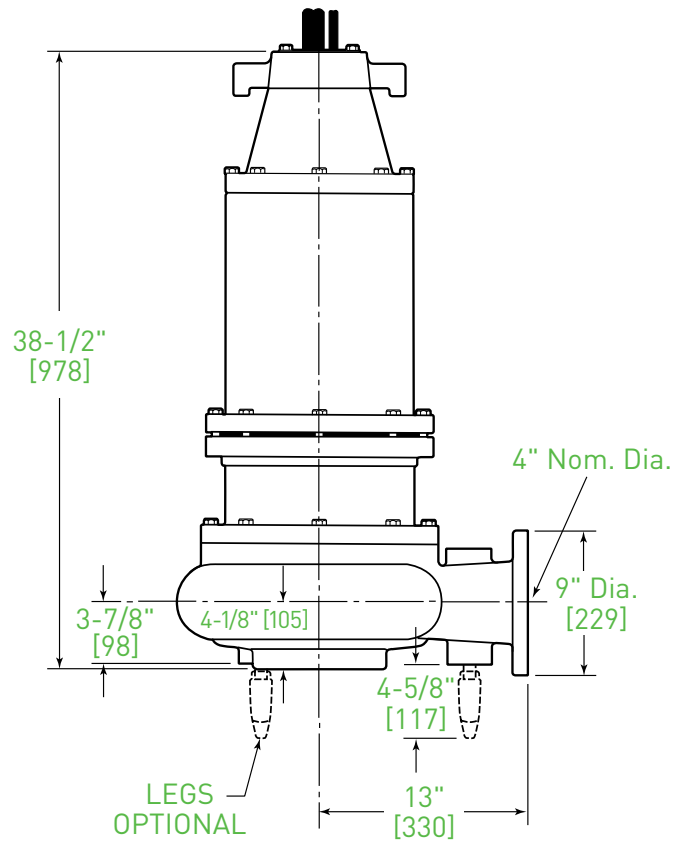
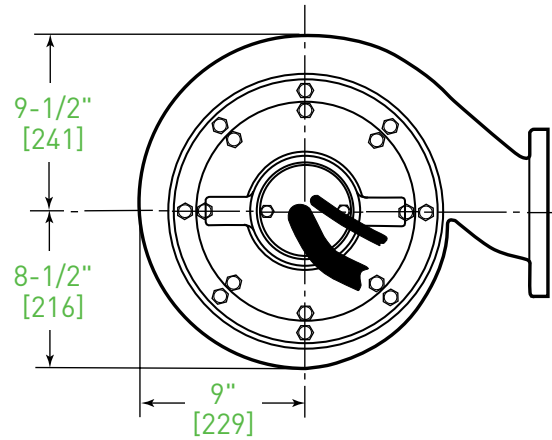
Pump performance is based on clear water (1.0 specific gravity @ 68°F) and pump fluid end (hydraulic) efficiency. Motor data based on 40°C ambient temperature.

Available Models		Motor Electrical Data												
Standard	Hazardous Location	HP	Volts	Phase	Hertz	Start Amps	Run Amps	Service Factor Amps	Run kW	Service Factor kW	Start KVA	Run KVA	NEC Code Letter	Service Factor
4VC150M4-03	4VCX150M4-03	15	208	3	60	334	50.6	61	15.0	18.6	115.5	17.5	E	1.2
4VC150M4-23	4VCX150M4-23	15	230	3	60	290	44	53	15.0	18.6	115.5	17.5	E	1.2
4VC150M4-43	4VCX150M4-43	15	460	3	60	145	22	26.5	15.0	18.6	115.5	17.5	E	1.2
4VC150M4-53	4VCX150M4-53	15	575	3	60	116	17.6	21.2	15.0	18.6	115.5	17.5	E	1.2
4VC200M4-03	4VCX200M4-03	20	208	3	60	334	69	82.8	21.2	26.1	115.5	23.9	G	1.2
4VC200M4-23	4VCX200M4-23	20	230	3	60	290	60	72	21.2	26.1	115.5	23.9	G	1.2
4VC200M4-43	4VCX200M4-43	20	460	3	60	145	30	36	21.2	26.1	115.5	23.9	G	1.2
4VC200M4-53	4VCX200M4-53	20	575	3	60	116	24	28.8	21.2	26.1	115.5	23.9	G	1.2
4VC250M4-03	4VCX250M4-03	25	208	3	60	575	78.3	92.2	26.9	33.3	180.1	30.3	G	1.2
4VC250M4-23	4VCX250M4-23	25	230	3	60	452	76	92	26.9	33.3	180.1	30.3	G	1.2
4VC250M4-43	4VCX250M4-43	25	460	3	60	226	38	46	26.9	33.3	180.1	30.3	G	1.2
4VC250M4-53	4VCX250M4-53	25	575	3	60	181	30.4	36.8	26.9	33.3	180.1	30.3	G	1.2
4VC300M4-03	4VCX300M4-03	30	208	3	60	575	103.9	124	33.3	41.3	180.1	37.4	G	1.2
4VC300M4-23	4VCX300M4-23	30	230	3	60	452	94	114	33.3	41.3	180.1	37.4	G	1.2
4VC300M4-43	4VCX300M4-43	30	460	3	60	226	47	57	33.3	41.3	180.1	37.4	G	1.2
4VC300M4-53	4VCX300M4-53	30	575	3	60	181	37.6	45.6	33.3	41.3	180.1	37.4	G	1.2
4VC400M4-23	4VCX400M4-23	40	230	3	60	580	122	148	43.2	53.0	231.1	48.6	G	1.2
4VC400M4-43	4VCX400M4-43	40	460	3	60	290	61	74	43.2	53.0	231.1	48.6	G	1.2
4VC400M4-53	4VCX400M4-53	40	575	3	60	232	48.8	59.2	43.2	53.0	231.1	48.6	G	1.2
4VC500M4-43	4VCX500M4-43	50	460	3	60	290	67	79	46.9	54.6	231.1	53.4	E	1.2
4VC500M4-53	4VCX500M4-53	50	575	3	60	232	54	63	46.9	54.6	231.1	53.4	E	1.2
4VC600M4-43	4VCX600M4-43	60	460	3	60	290	79	79	52.8	52.8	231.1	62.9	C	1.0
4VC600M4-53	4VCX600M4-53	60	575	3	60	232	63	63	52.8	52.8	231.1	62.9	C	1.0

Motor Efficiencies and Power Factor									
HP	Phase	Motor Efficiency %				Power Factor %			
		Service Factor Load	100% Load	75% Load	50% Load	Service Factor Load	100% Load	75% Load	50% Load
15	3	85	84	79	69	88	86	78	68
20	3	88	87.5	81	72.5	91	89	79	69
25	3	87	86	81	73	91	89	80	70
30	3	87	86	83	79	91	89	82	73
40	3	86	86	88	87.5	90	89	86	80
50	3	87	86	86.5	88	87	88	88.5	84
60	3	87	87	86	88	84	84	89	86

Dimensions

[Dimensions in mm]





1101 MYERS PARKWAY
ASHLAND, OHIO 44805
PH: 855-274-8948
WWW.FEMYERS.COM

490 PINEBUSH ROAD, UNIT 4
CAMBRIDGE, ONTARIO, CANADA N1T 0A5
PH: 800-387-4386 ORDERS FAX: 888-606-5484
WWW.FEMYERS.COM

Because we are continuously improving our products and services, Pentair reserves the right to change specifications without prior notice.
K3421 08/07/17 © 2017 Pentair Ltd. All Rights Reserved.