

# MYERS® MS Series

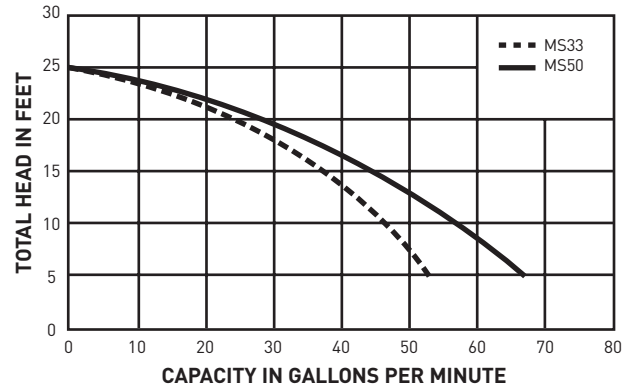
Submersible Sump Pumps for Dewater

## SPECIFICATIONS

Applications	Basement sumps, dewatering	
Capacities	1/2HP at 56 GPM	212 LPM
	1/3HP at 45 GPM	170 LPM
Shut-off head	25'	7.6 m
Operation:		
Tethered:	On	14" 356 mm
	Off	5" 127 mm
Vertical:	On	7.5" 190.5 mm
	Off	3" 76 mm
Diaphragm:	On	9-1/2" 241 mm
	Off	5" 127 mm
Solids handling	1/4"	6.4 mm
Liquids handling	Drain water	
Intermittent liquid temp	up to 140°F	up to 60°C
Motor	1/3 HP or 1/2 HP, PSC Motor	
Electrical data	3000 RPM, 115V, 1Ø, 60Hz FLA 1/3 HP = 3.9, 1/2 HP = 4.1	
Acceptable pH range	6-9	
Shaft seal	Double lip	
Motor housing	Corrosion Resistant Material	
Volute case	Cast iron	
Power cord	10'	25.4 m
Discharge, NPT	1-1/2"	
Min. sump diameter		
Tethered Float:	14"	356 mm
Vertical Float or Diaphragm Switch:	10"	254 mm

## FEATURES

- Versatility for many light-duty jobs
- Designed for drain water removal or permanent applications with small amounts of debris
- Maintenance-free operation
- Wide-angle for 14" or larger sumps. Vertical switch or diaphragm switch for small 10" or larger sumps.
- CSA Listed
- Dual ball-bearing motor and double lip seal provide durability and longer pump life
- Durable PSC motor for years of service
- Oil-filled motor for maximum heat dissipation, continuous bearing lubrication
- Thermal overload protection with automatic reset



**3 YEAR**  
WARRANTY

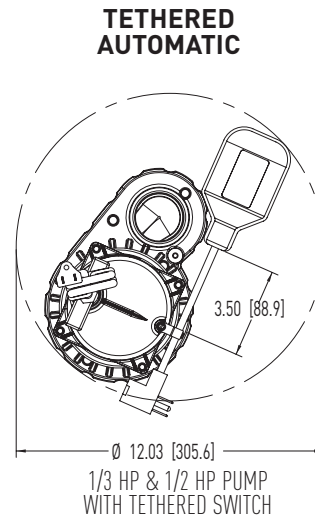
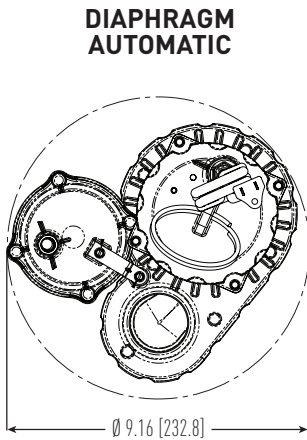
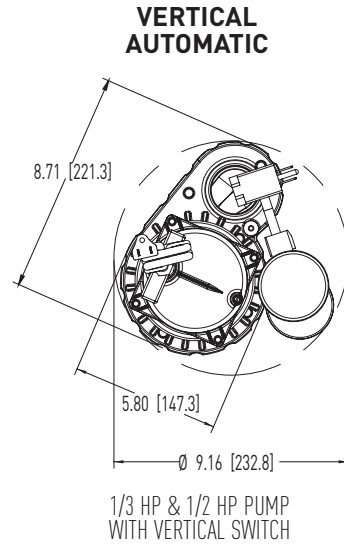
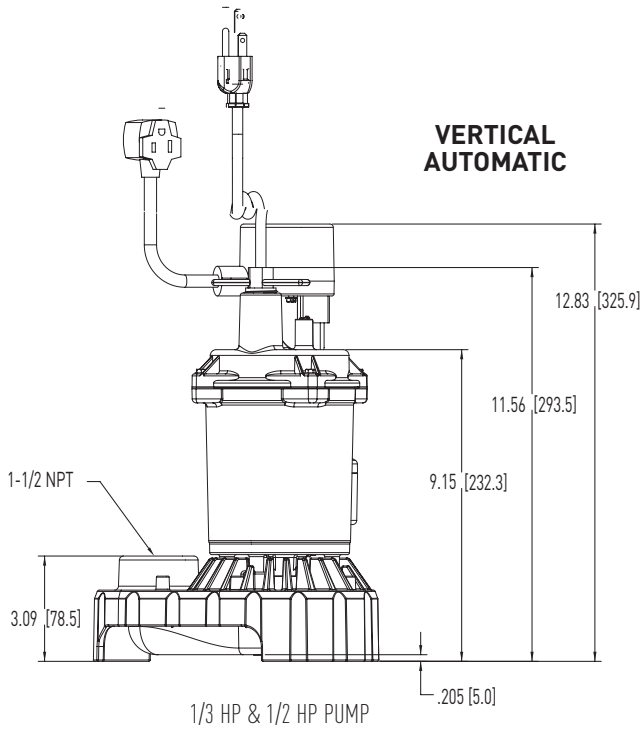
## MODEL NUMBERS

- |         |         |
|---------|---------|
| MS33V10 | MS33D10 |
| MS50V10 | MS50D10 |
| MS33T10 |         |
| MS50T10 |         |

# MYERS® MS Series

Sumpersible Sump Pumps for Dewater

## DIMENSIONS



USA  
293 WRIGHT STREET, DELAVAN, WI 53115 WWW.FEMYERS.COM  
PH: 888-987-8677 ORDERS FAX: 800-426-9446

CANADA  
490 PINEBUSH ROAD, UNIT 4, CAMBRIDGE, ONTARIO, N1T 0A5  
PH: 800-363-7867 FAX # 888-606-5484

Because we are continuously improving our products and services, Pentair reserves the right to change specifications without prior notice.