

MYERS®

Submersible Effluent & Sewage/ Solids Handling Pump

INSTALLATION, OPERATION, & PARTS MANUAL

SAFETY INFORMATION

Carefully read and follow all safety instructions in this manual or on pump.

⚠ This is the safety alert symbol. When you see this symbol on your pump or in this manual, look for one of the following signal words and be alert to the potential for personal injury!

⚠ DANGER warns about hazards that **will** cause serious personal injury, death or major property damage if ignored.

⚠ WARNING warns about hazards that **can** cause serious personal injury, death or major property damage if ignored.

⚠ CAUTION warns about hazards that **will** or **can** cause minor personal injury or property damage if ignored.

The word **NOTICE** indicates special instructions which are important but not related to hazards.

NOTICE: Pump **must** be installed in a vertical position **only**. Installing pump in any other position will void warranty.

1. To avoid serious injury and/or property damage, read these rules and instructions carefully.
2. Check your local codes before installing. You must comply with their rules.
3. Vent sewage or septic tank according to local codes.
4. Do not install pump in any location classified as hazardous by National Electrical Code, ANSI/NFPA 70-1984.
5. Pump normally runs hot. To avoid burns when servicing pump, allow it to cool for 20 minutes after shut-down before handling it.
6. Do not run pump dry. Dry running can overheat pump and will void warranty.
7. Pump is permanently lubricated. No oiling or greasing is required in normal operation. For overhaul, see instructions under "Service", Page 4.

⚠ WARNING **Hazardous voltage. Can shock, burn, or cause death.** During operation the pump is in water. To avoid fatal shocks, proceed as follows if pump needs servicing:

- 8A. Ground pump according to all applicable codes and ordinances.
- 8B. Disconnect power to outlet box or circuit breakers before servicing.
- 8C. To reduce risk of electric shock, take care when changing fuses or resetting circuit breakers. Do not stand in water when working on control box or with circuit breakers.

Single Phase Pumps:

- 8D. When using cord and plug, plug into a grounded outlet only. When wiring to a system control, connect pump ground lead to system ground.

Three Phase Pumps:

- ⚠ WARNING** **Risk of electrical shock.** Do not remove cord and strain relief. Do not connect conduit to pump.
- 8E. Three phase pumps are intended for permanent connection only. Provide strain relief at control box for power supply cord connection to box. All control components must be UL listed and suitable for end use application. Only qualified personnel should install the pump and associated control equipment.

California Proposition 65 Warning

⚠ WARNING This product and related accessories contain chemicals known to the State of California to cause cancer, birth defects or other reproductive harm.

DESCRIPTION

These pumps are designed for sewage, effluent and waste water removal, sump drainage, liquid transfer systems, circulation, dewatering and flood control. Pump motors range from a 115V or a 230V single phase to a 208-230V or 460V three phase. All models come with a 20' 3-prong grounding type cord and plug.

Models MWS7, MWS9 and MWS9 are rated for continuous duty when fully submerged in a liquid with a maximum temperature of 105° F (40.5° C).

The maximum liquid temperature is 130°F (55°C).

NOTICE: This unit is not designed for applications involving salt water or brine! Use with salt water or brine will void warranty.

SPECIFICATIONS – ME7, MWS, MWS3 SERIES

Model Number	Motor HP	Volts	Phase	Max. Load Amps	Individual Branch Circuit Required (Amps)	Discharge Adapter Size (inches)	Switch Setting in inches (mm)	
							On	Off
ME750220M	1/2	230	1	6.6	10	2	–	–
ME750120M	1/2	115	1	13.0	15	2	–	–
ME750120T	1/2	115	1	13.0	15	2	18.1(460)	9.1(231)
MWS3750120T	1/2	115	1	11.2	15	3	20(508)	11(279)
MWS3775120T	3/4	115	1	12.0	15	3	20(508)	11(279)
MWS3750120T	1/2	115	1	11.2	15	3	20(508)	11(279)
MWS3775120T	3/4	115	1	12.0	15	2	20(508)	11(279)
MWS3775220T	3/4	230	1	6.7	10	3	20(508)	11(279)
MWS3775220T	3/4	230	1	6.7	10	3	20(508)	11(279)

SPECIFICATIONS – MWS and MWS3 SERIES

Model Number	Motor HP	Volts	Phase	Full Load Amps	Individual Branch Circuit Required (Amps)	Discharge Adapter Size (inches)
MWS9100220M, MWS39100220M	1	230	1	8.5	15	2,3
MWS9150220M, MWS39150220M	1-1/2	230	1	12.0	15	2,3
MWS9150420M	1-1/2	460	3	4.7	10	2,3
MWS39150520M	1-1/2	575	3	3.8	6	3
MWS9200220M, MWS39200220M	2	230	1	13.0	15	2,3
MWS39200320M	2	230	3	10.0	15	2,3
MWS9200420M	2	460	3	5.3	10	2,3
MWS39200520M	2	575	3	4.2	10	3

PERFORMANCE – ME7, MWS, MWS3 SERIES

GPM AT TOTAL FEET									No flow at height shown below
Model	10	20	30	40	50	60	70	80	
CAPACITY GALLONS/MINUTE									
ME750120M	110	95	80	60	35	–	–	–	59
ME750120T	110	95	80	60	35	–	–	–	59
ME750220M	60	60	60	55	50	30	5	–	59

GPM AT TOTAL FEET					No flow at height shown below
Modelo	10	20	30	40	
CAPACITY GALLONS/MINUTE					
MWS3750120T	100	40	–	–	26
MWS3750120T	100	40	–	–	26
MWS375120T	115	60	–	–	28
MWS3775220T	115	60	–	–	28

* Flows are for 200° F water temperature.

PERFORMANCE MWS and MWS3 SERIES

Same Performance for 2" Discharge MWS9 Series and 3" Discharge MWS39 Series.

GPM AT TOTAL FEET								No flow at height shown below
Model	10	20	30	40	50	60	70	
CAPACITY GALLONS/MINUTE								
MWS9100220M, MWS39100220T	185	140	80	–	–	–	–	38
MWS9100220T, MWS39100220M	185	140	80	–	–	–	–	38
MWS39100520M	185	140	80	–	–	–	–	38
MWS9150220M, MWS39150220M	215	175	120	40	–	–	–	43
MWS9150420M	215	175	120	40	–	–	–	43
MWS39150520M	215	175	120	40	–	–	–	43
MWS9200220M, MWS39200220M	230	190	150	100	30	–	–	54
MWS39200320M	230	190	150	100	30	–	–	54
MWS9200420M	230	190	150	100	30	–	–	54
MWS39200520M	230	190	150	100	30	–	–	54

INSTALLATION

⚠ WARNING **Risk of electrical shock. Can burn or kill.** Do not lift pump by power cord. See “Cord Lift Warning” on Page 5.

NOTICE: Install pump on a hard, level surface (cement, asphalt, etc.). Never place pump directly on earth, clay or gravel surfaces. Basin must be at least 18” (457 mm) in diameter and 30” (762 mm) deep.

Piping:

Piping must not be smaller than pump discharge.

When installed in a **sewage** system, pipe must be capable of handling semi-solids of at least 2” (51mm) diameter.

When installed in an **effluent** system, pipe must be capable of handling semi-solids of at least 3/4” (19 mm) diameter.

The rate of flow in the discharge pipe must keep any solids present in suspension in the fluid. To meet minimum flow requirements of 2 ft. per second (61 cm/sec) in discharge line, size pipe as follows:

A Pipe Size Of:	Will Handle a Flow Rate Of:
2” (51 mm)	21 GPM (79.5 L/M)
2-1/2” (64 mm)	30 GPM (113.5 L/M)
3” (76 mm)	48 GPM (182 L/M)

In a **sewage** system use a 2” (51 mm) min. check valve in pump discharge to prevent backflow of liquid into sump basin. The check valve should be a free flow valve that will easily pass solids. Be sure check valve installation complies with local codes.

In an **effluent** system use a 1-1/2” (38 mm) min. check valve in pump discharge to prevent backflow of liquid into pump basin. The check valve should be a free flow valve that will easily pass solids. Be sure check valve installation complies with local codes.

NOTICE: For best performance of check valve when handling solids, do not install it with discharge more than 45° above the horizontal. Do not install check valve in a vertical position as solids may settle in valve and prevent opening on startup. Drill a 3/16” (5 mm) hole in discharge pipe about 1 to 2” (25-50 mm) above pump discharge connection (but below check valve) to prevent airlocking the pump.

Electrical

⚠ WARNING **Hazardous voltage. Can shock, burn, or cause death.** When installing, operating, or servicing this pump, follow safety instructions below.

1. **DO NOT** splice the power cord, submerge electrical cord plug, or use extension cords.
2. **DO NOT** handle or service pump while it is connected to power supply.
3. **DO NOT** operate pump unless it is properly grounded. Wire pump directly into grounded terminal block in automatic float or pump controller box. Power cord on 1-phase units is a 3-wire conductor with 3-prong grounding-type plug. Do not modify cord or plug. When using with plug-in receptacle, plug pump into a 3-wire, grounded, grounding-type receptacle only. Connect pump according to all applicable codes.

For automatic operation, plug or wire pump into an automatic float switch or pump controller. For continuous operation, plug directly into an electrical outlet or wire directly into switch box. Connect pump to its own individual branch circuit with nothing else on the circuit. See Specifications Chart (Page 2) for fuse or circuit breaker sizes.

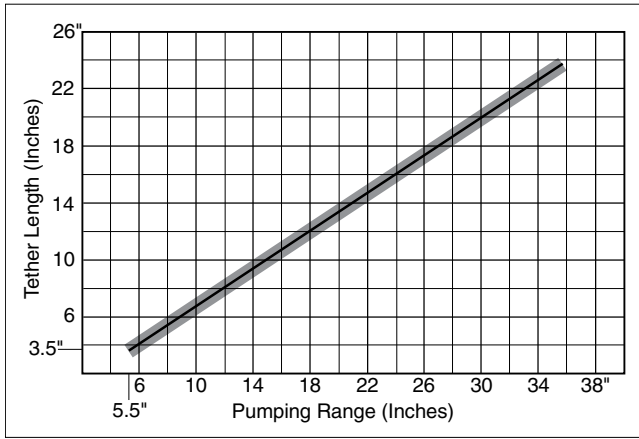
⚠ WARNING **Risk of electrical shock and fire. Be sure that power supply information (Voltage/Hertz/Phase) on pump motor nameplate matches incoming power supply exactly. Install pump according to all electrical codes that apply.**

Models with an automatic float switch are factory set with a 4” tether length. This tether length can be adjusted to accommodate a variety of pumping ranges. (See performance graph, Page 4). The installer must ensure that the switch does not become obstructed and that the range is set so the liquid level remains a minimum of 2” above pump suction at the lowest level, and below the basin inlet pipe at the highest level.

Overloads - Single Phase

In single-phase units, an automatic overload protector in the motor will protect motor from burning out due to overheating/overloading. When motor cools down, protector automatically resets and start motor.

If overload trips frequently, check for cause. It could be a stuck impeller, wrong/low voltage, or electrical failure in motor. If an electrical failure in the motor is suspected, have it serviced by a competent repairman.



413 0893

Performance Graph – Tether Length vs. Pumping Range

Control Panel Overload Adjustment – Three Phase

NOTICE: Control panel not provided with pump. See control panel installation and operating instructions before adjusting overload setting.

For pumps with a nameplate service factor of 1.0, set overload protective device to nameplate full load current.

For pumps with a nameplate service factor of 1.15 or higher, set overload protective device to 1.09 times the nameplate full load current.

Size overload protective device so that trip current is 115% of final setting as selected above.

SERVICE

Pump is permanently lubricated. No oiling or greasing is required in normal service.

NOTICE: Do not allow pump to run in a dry sump. It will void the warranty and may damage the pump.

⚠ WARNING **Hazardous voltage. Can shock, burn, or cause death.** Before servicing pump, disconnect electrical power to pump and control switch.

After removing basin cover and necessary discharge piping, lift pump out of basin.

⚠ WARNING **Risk of electrical shock. Can burn or kill.**

Do not lift pump by power cord. See “Cord Lift Warning”.

Place pump in an area where it can be cleaned thoroughly. Remove all scale and deposits on pump.

Submerge pump in disinfectant (chlorox or chlorine) for at least one hour before disassembling pump.

The pump motor housing contains a special lubricating oil. Keep oil clean and free of water at all times.

NOTICE: Whenever motor cover is being removed for service, remove oil and replace with new oil at reassembly. Use only oil listed in parts list (Part No. U197-8A). When filling with new oil, DO NOT overfill. To allow room for expansion, oil level with cold motor should be about 1/4” (6 mm) above top of motor assembly.

Impeller, Seal, and Capacitor Replacement

⚠ WARNING **Risk of electrical shock. Disconnect electrical power before doing any service work on pump!**

Refer to assembly drawings on Page 6.

Disassembly

1. Unscrew hex-head cap screws, remove motor assembly from volute and set it on its side in a clean area.
2. Remove oil plug. Turn pump upside down to drain oil.
3. Hold impeller; remove impeller nut and washer.
4. Unscrew impeller (turn counter-clockwise) for cleaning.

⚠ WARNING **Risk of electric shock. Before touching impeller capacitor, discharge it by shorting the terminals together with an amber handled screwdriver.**

5. Loosen cord nut and gently pull cord assembly out from motor cover. Disconnect wires from cord set (wires and connector are color coded for reassembly).
6. Unfasten socket head screws holding motor cover to seal plate and remove motor cover.
7. If replacing capacitor, remove wires from capacitor. Remove capacitor.
8. Remove rotating half of seal off of shaft.
9. Cradle motor assembly so that it stands vertically with motor shaft extending out of the bottom.
10. Remove through bolts from motor assembly. Remove motor and shaft from seal plate.
11. Working from back of seal plate, tap primary seal head out of seal plate; thoroughly clean seat cavity.

Re-assembly

NOTICE: Make sure that seal faces are clean and undamaged. Apply Permatex #2 or equivalent sparingly to outside edge of seal body (with spring) Figure 1.

1. Press new seal body into cavity in seal plate (Figure 1).

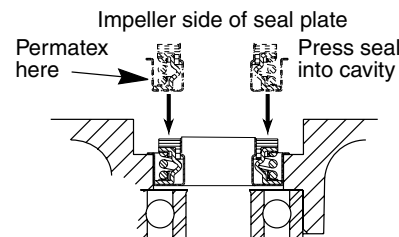


Figure 1

- Reinstall motor and shaft to seal plate using the four through bolts removed in step 10 under "Disassembly".
NOTICE: Do not overtighten through bolts!
- Slide new rotating half of seal onto shaft (Figure 2).
NOTICE: Do not nick or scratch the silicon carbide seal face when passing it over shaft shoulder. Seal faces must be clean and undamaged or seal may leak.

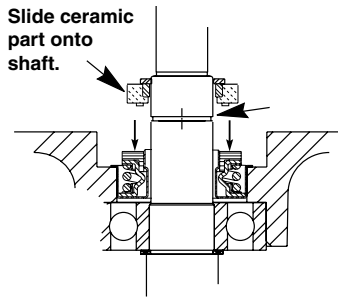
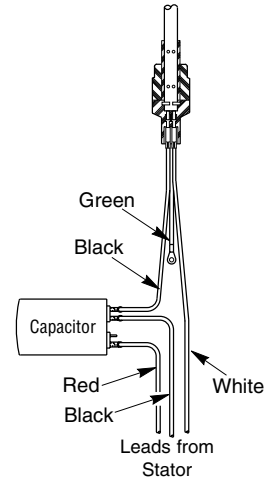


Figure 2



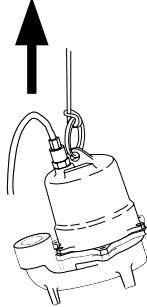
- Reassemble impeller, washer, and impeller nut.
- Install new capacitor. See below for electrical connections to capacitor.
- Inspect O-Ring carefully; replace if damaged. If it is not nicked or scratched, clean and reinstall.
NOTICE: It is good practice to replace O-Ring each time pump is serviced.
- Reinstall capacitor cover, feeding wire through connector hole, then reconnect cord wires to connector. Reference color code markings.

- Fill motor with clean dielectric oil (Part No. U197-8A). To allow room for expansion, oil level with cold motor should be about 1/4" (6 mm) above top of motor assembly.

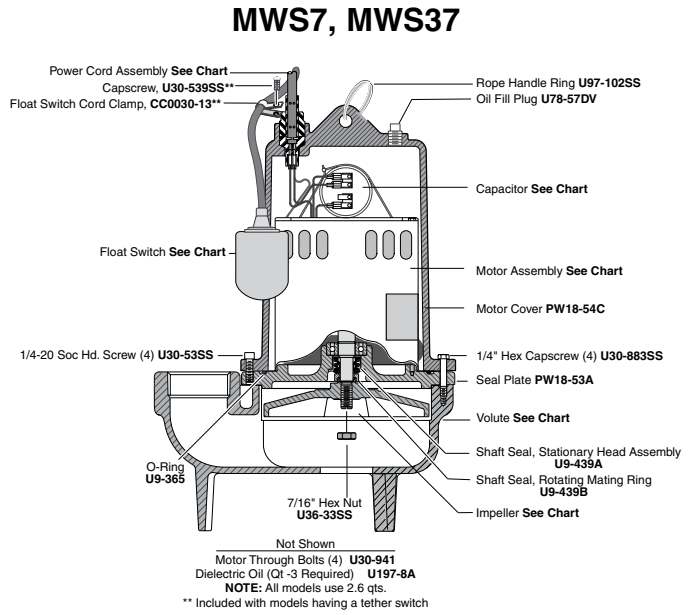
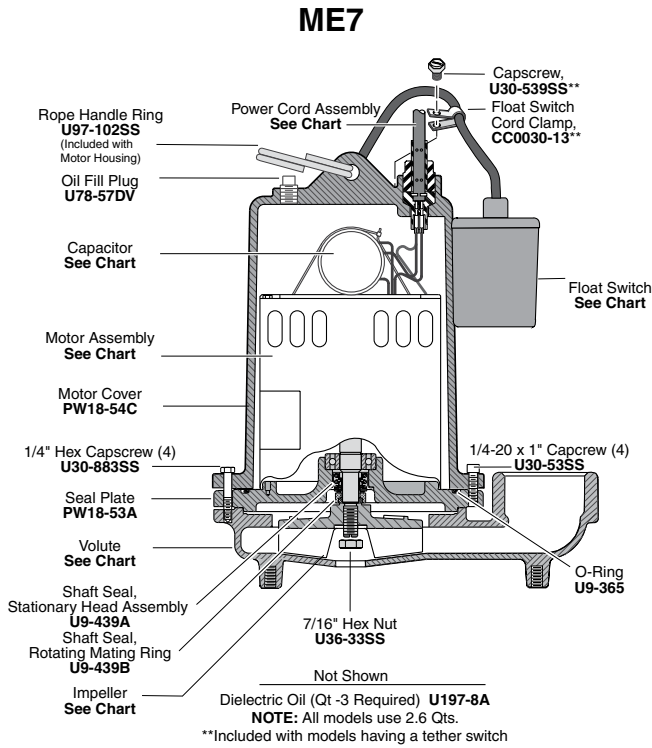
Capacitor Connections (Single Phase Only)



For three phase wiring connections, see the "Three Phase Wiring Connection" diagrams on Page 8.

<p>⚠ WARNING</p>  <p>Risk of electrical shock. Can burn or kill. Do not lift pump by power cord.</p>	<p>CORD LIFT WARNING</p>  	<ol style="list-style-type: none"> Attempting to lift or support pump by power cord can damage cord and cord connections. Cord may pull apart, exposing bare wires with possibility of fire or electrical shock. Lifting or supporting pump by power cord will void warranty. Use lifting ring or handle on top of pump for all lifting/lowering of pump. Disconnect power to pump before doing any work on pump or attempting to remove pump from sump.
---	---	--

REPAIR PARTS – MWS7 AND ME7 SERIES



1306 1094 EC7 Series

1306 1094 SC7

REPAIR PARTS – ME7, MWS, MWS3 SERIES

Model	Capacitor*	Motor Assembly	Volute	Impeller	Float Switch	Power Cord
ME750120M	U18-1592	PW218-62	PW1-8F	PW5-9	-	PW117-231-TSE
ME750120T	U18-1592	PW218-62	PW1-8F	PW5-9	PW217-111B	PW117-231-TSE
MWS750120T	U18-1590	PW218-67	PW1-14	PW5-3	PW217-107B	PW117-231-TSE
MWS75120T	U18-1590	PW218-136	PW1-14	PW5-4	PW217-111B	PW117-231-TSE
MWS3750120T	U18-1590	PW218-67	PW1-3A	PW5-3	PW217-107B	PW117-231-TSE
MWS375120T	U18-1590	PW218-136	PW1-3A	PW5-4	PW217-111B	PW117-231-TSE
MWS3775220T	U18-1588	PW218-71	PW1-14	PW5-4	PW217-112B	PW117-232-TSE

*Single Phase only.

A Control Panel is needed for all three phase models.

2" Discharge and 3" discharge models use the same repair parts.

Impeller, Seal, and Capacitor Replacement – MWS9 Series

⚠ WARNING Risk of electrical shock. Disconnect electrical power before doing any service work on pump!

Refer to assembly drawing, Page 9.

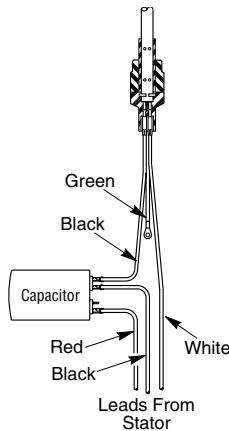
Disassembly

1. Remove hex head bolts holding motor housing to volute. Remove motor housing; set it on its side in a clean area.
2. Hold impeller; remove impeller capscrew and washer or jam nut.
3. Slide impeller off of shaft for cleaning. If necessary, tap impeller to loosen it.
4. Cradle motor assembly so that it stands vertically with motor shaft extending out of the bottom.

⚠ WARNING Risk of electric shock. Before touching capacitor, discharge it by shorting the terminals together with an amber handled screwdriver.

5. Unfasten hex head screws holding capacitor cover and remove cover. Disconnect wires from power cord set (wires and connector are color coded for reassembly). Turn pump upside down to drain oil.
6. If replacing capacitor (single phase only), remove wires from capacitor. Remove capacitor.
7. Slide a small screwdriver down beside the shaft and pry lip seal out. Discard lip seal after removal. Be careful not to scratch shaft.
8. Remove retaining ring and washer from motor shaft and slide rotating half of seal off of shaft.
9. Remove motor cover from seal plate. Remove through bolts from motor assembly. Remove motor and shaft from seal plate.
10. Working from back of seal plate, tap primary seal head out of seal plate; thoroughly clean seal cavity.

Capacitor Connections (Single Phase Only)



Re-assembly

NOTICE: Make sure that seal faces are clean and undamaged.

1. Apply Permatex #2 sparingly to outside of the primary seal head. Press new primary seal head into cavity in seal plate. See Figure 3.
2. Set seal plate on cradle and reinstall motor.
NOTICE: Do not overtighten through bolts!
3. Inspect seal plate O-Ring carefully; replace if damaged. Place O-Ring in groove on seal plate, mount motor on seal plate with socket head screws.
NOTICE: It is good practice to replace O-Ring each time pump is serviced.
4. Turn assembly upside down and slide new rotating member of seal onto shaft. Apply soap to rubber ring to aid in sliding seal on shaft.
NOTICE: De-burr snap ring groove before installing seal. Do not damage ceramic face or rubber ring when passing seal over shaft shoulder and snap ring groove shoulder. Seal faces and ring must be clean and undamaged or seal may leak. See Figure 4.
5. Reinstall washer and snap ring on shaft. See Figure 5.
6. Install new lip seal (Figure 6). Lubricate lip seal with a small amount of Aqualube or a lithium-based grease.
7. Reassemble impeller, impeller capscrew or jam nut and washer.
8. Reinstall capacitor (single phase only). See below, for electrical connections to capacitor.
9. Fill motor with clean dielectric oil (Part No. U197-8A). To allow room for expansion, oil level with cold motor should be about 1/4" (6-7mm) above top of motor assembly.
10. Inspect capacitor cover O-Ring; replace if damaged. If it is not nicked or scratch, clean and reinstall.
NOTICE: It is good practice to replace O-Ring each time pump is serviced.
11. Reconnect motor lead wires to connector. Reference color code markings and Wiring Connection diagrams, below. Reinstall capacitor cover.

Impeller side of seal plate.

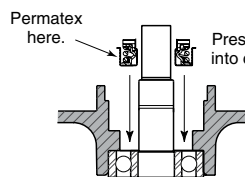


Figure 3

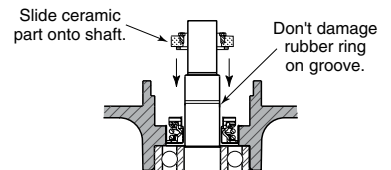


Figure 4

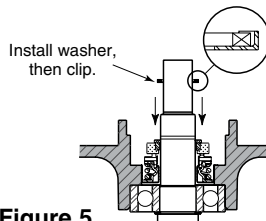


Figure 5

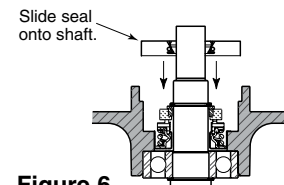
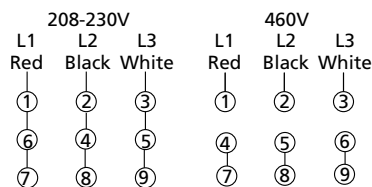


Figure 6

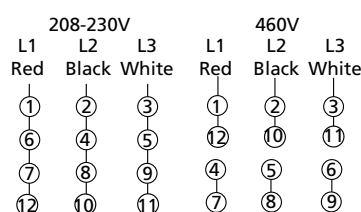
2799 0497

3 Phase Wiring Connection Diagrams

Stator Leads: 9 Wire

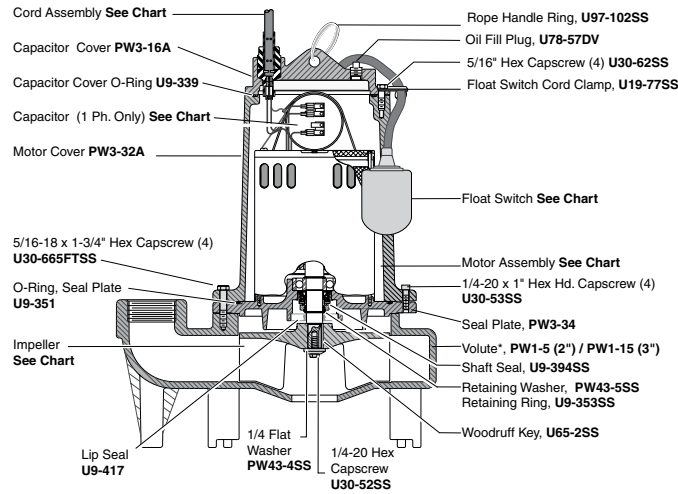


Stator Leads: 12 Wire



REPAIR PARTS – MWS and MWS3 SERIES

MWS and MWS3



Not Shown
Dielectric Oil (Qt – 3 Required) U19-8A
NOTE: All models use 2.6 Qts.

1307B 0497 SC9

Model	Capacitor*	Motor Assembly	Impeller	Float Switch	Power Cord
MWS39100220M	U18-1589	PW118-81	PW5-7B	–	PW117-232-TSE
MWS9100220T, MWS39100220T	U18-1589	PW118-81	PW5-7B	PW217-224	PW117-232-TSE
MWS39100520M	–	PW118-120	PW5-7B	–	PW117-235-TSE
MWS9150220M, MWS39150220M	U18-1590	PW118-83	PW5-7A	–	PW117-232-TSE
MWS9150420M	–	PW118-87	PW5-7A	–	PW117-235-TSE
MWS39150520M	–	PW118-120	PW5-7A	–	PW117-235-TSE
MWS9200220M, MWS39200220M	U18-1592	PW118-83	PW5-7	–	PW117-232-TSE
MWS39200320M	–	PW118-87	PW5-7	–	PW117-235-TSE
MWS9200420M	–	PW118-87	PW5-7	–	PW117-235-TSE
MWS39200320M	–	PW218-120	PW5-7	–	PW117-235-TSE

* MWS Series Model Numbers use Volute P/N. PW1-5. MWS3 Series Model Numbers use Volute P/N PW1-15.

** MWS Series Model Numbers use seal plate P/N PW3-34. EC9 Series Model Numbers use seal plate P/N PW3-35.

**** Model numbers ending in "T" include Float Switch model number PW217-224. Float Switch PW217-224 turns on at 22" and turns off at 13".

TROUBLES-REMEDIES

⚠ WARNING Sudden Starts. If power is on to pump when thermal overload resets, pump may start without warning. If you are working on pump, you may get an

electrical shock or impeller may catch fingers or tools. Disconnect power before servicing pump.

<p>A. Pump fails to operate:</p>	<ol style="list-style-type: none"> 1. Check to be sure that power cord is securely plugged into outlet or securely wired into controller or switch box. Disconnect power to outlet before handling pump or motor. 2. Check to be sure you have electrical power. 3. Check that liquid fluid level is high enough to activate switch or controller. 4. Check to be sure that 5 mm (3/16") vent hole in discharge pipe is not plugged. 5. Check for blockage in pump inlet, impeller, check valve or discharge pipe. 6. Thermal overload may have tripped. Test start pump; if it starts and then stops immediately, disconnect from power source for 30 minutes to allow motor to cool, then reconnect to power source. Check for cause of overheating/overloading.
<p>B. Pump fails to empty sump:</p>	<ol style="list-style-type: none"> 1. Be sure all valves in discharge piping are fully open. 2. Clean out discharge pipe and check valve. 3. Check for blockage in pump inlet or impeller. 4. Pump not sized properly. A higher capacity pump may be required.
<p>C. Pump will not shut off:</p>	<ol style="list-style-type: none"> 1. Check switch or controller automatic floats for proper operation and location. See installation instructions for switch/controller. 2. If pump is completely inoperative or continues to malfunction, consult your local serviceman.

Limited Warranty

Myers® warrants to the original consumer purchaser ("Purchaser" or "You") of the products listed below, that they will be free from defects in material and workmanship for the Warranty Period shown below.

Product	Warranty Period <i>whichever occurs first:</i>
Jet pumps, small centrifugal pumps, submersible pumps and related accessories	12 months from date of original installation, or 18 months from date of manufacture
Fibrewound Tanks	5 years from date of original installation
Steel Pressure Tanks	5 years from date of original installation
Sump/Sewage/Effluent Products	12 months from date of original installation, or 36 months from date of manufacture
Battery Backup Units MBSP-2, MBSP-2C MBSP-3, MBSP-3C	12 months from date of original installation, or 18 months from date of manufacture 24 months from date of original installation, or 30 months from date of manufacture
Wastewater Solids Handling Pumps	12 months from date of shipment from factory or 18 months from date of manufacture

Our warranty applies only where such products are used in compliance with the requirements of the applicable product catalog and/or manuals. For additional information, please refer to the applicable standard limited warranty featured in the product manual. Our warranty will not apply to any product that, in our sole judgement, has been subject to negligence, misapplication, improper installation, or improper maintenance. Without limiting the foregoing, operating a three phase motor with single phase power through a phase converter will void the warranty. Note also that three phase motors must be protected by three-leg, ambient compensated, extra-quick trip overload relays of the recommended size or the warranty is void. Your only remedy, and MYERS's only duty, is that MYERS repair or replace defective products (at MYERS's choice). You must pay all labor and shipping charges associated with this warranty and must request warranty service through the installing dealer as soon as a problem is discovered. No request for service will be accepted if received after the Warranty Period has expired. This warranty is not transferable.

MYERS SHALL NOT BE LIABLE FOR ANY CONSEQUENTIAL, INCIDENTAL, OR CONTINGENT DAMAGES WHATSOEVER. THE FOREGOING LIMITED WARRANTIES ARE EXCLUSIVE AND IN LIEU OF ALL OTHER EXPRESS AND IMPLIED WARRANTIES, INCLUDING BUT NOT LIMITED TO IMPLIED WARRANTIES OF MERCHANTABILITY AND FITNESS FOR A PARTICULAR PURPOSE. THE FOREGOING LIMITED WARRANTIES SHALL NOT EXTEND BEYOND THE DURATION PROVIDED HEREIN.

Some states do not allow the exclusion or limitation of incidental or consequential damages or limitations on the duration of an implied warranty, so the above limitations or exclusions may not apply to You. This warranty gives You specific legal rights and You may also have other rights which vary from state to state. This Limited Warranty is effective April 1, 2014 and replaces all undated warranties and warranties dated before April 1, 2014.

F.E. MYERS

293 Wright Street, Delavan, WI 53115 • Phone: 888-987-8677 • Fax: 800-426-9446 • www.femyers.com
In Canada: 490 Pinebush Road, Unit 4, Cambridge, Ontario N1T 0A5 • Phone: 800-363-7867 • Fax: 888-606-5484

Pompe submersible pour effluent et eaux usées/matières solides

MANUEL D'INSTALLATION, D'UTILISATION ET DES PIÈCES

INFORMATIONS DE SÉCURITÉ

Lire soigneusement et suivre toutes les instructions de sécurité figurant dans ce manuel ou sur la pompe.

▲ Ceci est un symbole d'alerte de sécurité. Lorsque ce symbole apparaît sur la pompe ou dans ce manuel, rechercher une des mises en garde qui suivent, car elles indiquent un risque de blessures!

▲ DANGER Avertit d'un danger qui **causera** des blessures corporelles, la mort ou des dommages matériels importants si on l'ignore.

▲ AVERTISSEMENT Avertit d'un danger qui **peut causer** des blessures graves, la mort ou des dommages matériels importants si on l'ignore.

▲ ATTENTION Avertit de dangers qui **causeront ou peuvent causer** des blessures légères ou des dommages matériels si on les ignore.

Le mot **REMARQUE** indique des instructions spéciales et importantes n'ayant aucun rapport avec les dangers.

REMARQUE : La pompe doit être installée en position verticale uniquement. L'installation de la pompe dans toute autre position annulera la garantie.

1. Pour éviter des blessures et/ou des dommages matériels graves, lire soigneusement ces règles et instructions.
2. Vérifier les codes locaux avant l'installation. Il est nécessaire de respecter leurs règles.
3. Mettre à l'air libre le réservoir d'eaux usées ou la fosse septique conformément aux codes locaux.
4. Ne pas installer la pompe dans un endroit classé comme dangereux selon le National Electrical Code, ANSI/NFPA 70-1984
5. La pompe chauffe normalement quand elle fonctionne. Pour éviter de se brûler en manipulant la pompe, la laisser refroidir pendant 20 minutes après l'arrêt avant d'y toucher.
6. Ne pas faire fonctionner la pompe à sec. Un fonctionnement à sec peut causer une surchauffe de la pompe et annulera la garantie.
7. La pompe est lubrifiée à vie. Il n'est pas nécessaire de la huiler ni de la graisser en fonctionnement normal. Pour réviser la pompe, voir les instructions sous « Entretien », à la page 4.

▲ AVERTISSEMENT **Tension dangereuse. Peut causer une électrocution, des brûlures ou la mort.** Pendant son fonctionnement, la pompe est dans l'eau. Pour éviter une électrocution fatale, procéder comme suit si la pompe à besoin de réparation :

- 8A Mettre la pompe à la terre conformément aux codes et ordonnances applicables.
- 8B Avant toute réparation, débrancher l'alimentation électrique au boîtier de prise de courant ou aux disjoncteurs.
- 8C. Pour réduire les risques d'électrocution, faire attention lors du changement des fusibles et du réenclenchement des disjoncteurs. Ne pas se tenir dans l'eau pour travailler sur le boîtier de commande ou les disjoncteurs.

Pompes monophasées :

- 8D. En cas d'utilisation du cordon et de la fiche, brancher cette dernière dans une prise reliée à la terre uniquement. En cas de câblage à un système de commande, brancher le fil de terre de la pompe à la terre du système.

Pompes triphasées :

- ▲ AVERTISSEMENT** **Risque d'électrocution.** Ne pas retirer le cordon ni le réducteur de tension. Ne pas brancher le conduit à la pompe.
- 8E. Les pompes triphasées sont prévues pour un branchement permanent seulement. Prévoir un réducteur de tension au boîtier de commande pour le branchement du cordon d'alimentation au boîtier. Tous les composants de commande doivent être homologués UL et adaptés à l'utilisation finale. La pompe et l'équipement de commande connexe doivent être installés par du personnel qualifié uniquement.

Avertissement lié à la proposition 65 de la Californie

▲ AVERTISSEMENT Ce produit et les accessoires connexes contiennent des produits chimiques reconnus dans l'État de Californie comme pouvant provoquer des cancers, des anomalies congénitales ou d'autres dangers relatifs à la reproduction.

DESCRIPTION

Ces pompes sont conçues pour évacuer les eaux usées, effluents et eaux résiduaires, vider les puisards, les systèmes de transfert de liquides, la circulation et l'assèchement ainsi que le contrôle des crues. Les moteurs des pompes sont en monophasé 115 V ou 230 V ou en triphasé 208-230 V ou 460 V. Tous les modèles sont livrés avec un cordon d'alimentation de 20 pi avec fiche à trois broches.

Les modèles MWS7, MWS9 et MWS39 sont destinés à un fonctionnement continu quand ils sont complètement immergés dans un liquide d'une température maximale de 105 °F (40,5 °C).

La température maximale du liquide est de 130 °F (55 °C).

REMARQUE : Cette pompe n'est pas conçue pour pomper de l'eau salée ni de la saumure! L'utilisation avec de l'eau salée ou de la saumure annulera la garantie.

SPÉCIFICATIONS – SÉRIES ME7, MWS, MWS3

Numéro de modèle	Puissance moteur (HP)	Volts	Phases	Intensité à pleine charge	Circuit de dérivation individuel requis (A)	Dia. de l'adaptateur de refoulement (pouces)	Réglages de l'interrupteur en pouces (mm)	
							Marche	Arrêt
ME750220M	1/2	230	1	6,6	10	2	–	–
ME750120M	1/2	115	1	13,0	15	2	–	–
ME750120T	1/2	115	1	13,0	15	2	18,1(460)	9,1(231)
MWS3750120T	1/2	115	1	11,2	15	3	20(508)	11(279)
MWS3775120T	3/4	115	1	12,0	15	3	20(508)	11(279)
MWS3750120T	1/2	115	1	11,2	15	3	20(508)	11(279)
MWS3775120T	3/4	115	1	12,0	15	2	20(508)	11(279)
MWS3775220T	3/4	230	1	6,7	10	3	20(508)	11(279)
MWS3775220T	3/4	230	1	6,7	10	3	20(508)	11(279)

SPÉCIFICATIONS – SÉRIES MWS ET MWS3

Numéro de modèle	Puissance moteur (HP)	Volts	Phases	Intensité à pleine charge	Circuit de dérivation individuel requis (A)	Dia. de l'adaptateur de refoulement (pouces)
MWS9100220M, MWS39100220M	1	230	1	8,5	15	2,3
MWS9150220M, MWS39150220M	1 1/2	230	1	12,0	15	2,3
MWS9150420M	1 1/2	460	3	4,7	10	2,3
MWS39150520M	1 1/2	575	3	3,8	6	3
MWS9200220M, MWS39200220M	2	230	1	13,0	15	2,3
MWS39200320M	2	230	3	10,0	15	2,3
MWS9200420M	2	460	3	5,3	10	2,3
MWS39200520M	2	575	3	4,2	10	3

DÉBITS – SÉRIES ME7, MWS ET MWS3

LITRES/MIN À HAUTEUR TOTALE EN PIEDS									Pas de débit à la hauteur indiquée ci-dessous
Modèle	10	20	30	40	50	60	70	80	
CAPCITÉ EN LITRES/MINUTE									
ME750120M	416	360	303	227	132	–	–	–	18
ME750120T	416	360	303	227	132	–	–	–	18
ME750220M	227	227	227	208	189	114	19	–	18

LITRES/MIN À HAUTEUR TOTALE EN PIEDS					Pas de débit à la hauteur indiquée ci-dessous
Modèle	10	20	30	40	
CAPCITÉ EN LITRES/MINUTE					
MWS3750120T	379	151	–	–	7,9
MWS3750120T	379	151	–	–	7,9
MWS375120T	435	227	–	–	8,5
MWS3775220T	435	227	–	–	8,5

* Les débits sont pour une température de l'eau de 200 °F.

DÉBITS SÉRIES MWS ET MWS3

Mêmes débits pour la série MWS9 à refoulement de 2 po et la série MWS39 à refoulement de 3 po.

LITRES/MIN À HAUTEUR TOTALE EN PIEDS								Pas de débit à la hauteur indiquée ci-dessous
Modèle	10	20	30	40	50	60	70	
CAPCITÉ EN LITRES/MINUTE								
MWS9100220M, MWS39100220T	700	530	303	–	–	–	–	11,6
MWS9100220T, MWS39100220M	700	530	303	–	–	–	–	11,6
MWS39100520M	700	530	303	–	–	–	–	11,6
MWS9150220M, MWS39150220M	814	662	454	151	–	–	–	22,3
MWS9150420M	814	662	454	151	–	–	–	22,3
MWS39150520M	814	662	454	151	–	–	–	22,3
MWS9200220M, MWS39200220M	871	719	568	379	114	–	–	16,5
MWS39200320M	871	719	568	379	114	–	–	16,5
MWS9200420M	871	719	568	379	114	–	–	16,5
MWS39200520M	871	719	568	379	114	–	–	16,5

INSTALLATION

⚠ AVERTISSEMENT **Risque d'électrocution. Peut causer des brûlures ou la mort.** Ne pas soulever la pompe par le cordon d'alimentation. Voir « Avertissement relatif au cordon d'alimentation » à la page 5.

REMARQUE : Installer la pompe sur une surface dure et de niveau (ciment, asphalte, etc.). Ne jamais placer la pompe sur des surfaces en terre, en argile ou en gravier. Le bassin doit avoir au moins un diamètre de 18 po (457 mm) et une profondeur de 30 po (762 mm).

Tuyauterie :

La tuyauterie ne doit pas être plus petite que l'orifice de refoulement de la pompe.

En cas d'installation dans un système de relevage d'eaux usées, la tuyauterie doit pouvoir laisser passer des matières semi-solides d'au moins 2 po (51 mm) de diamètre.

En cas d'installation dans un système d'effluent, la tuyauterie doit pouvoir laisser passer des matières semi-solides d'au moins 3/4 po (19 mm) de diamètre.

Le débit dans le tuyau de refoulement doit maintenir les matières solides présentes en suspension dans le liquide. Pour répondre aux exigences de débit minimal de 2 pi par seconde (61 cm/s) dans la conduite de refoulement, son diamètre doit être conforme au tableau suivant :

Un tuyau d'un diamètre de :	aura un débit de :
2 po (51 mm)	21 gal/min (79,5 L/min)
2 1/2 po (64 mm)	30 gal/min (113,5 L/min)
3 po (76 mm)	48 gal/min (182 L/min)

Dans un système de **relevage d'eaux usées**, utiliser un clapet antiretour de 2 po (51 mm) minimum dans le refoulement de la pompe pour éviter tout retour de liquide dans le bassin. Le clapet antiretour doit être une vanne à libre passage laissant facilement passer les matières solides. S'assurer que le clapet antiretour est conforme aux codes locaux.

Dans un système d'**effluent**, utiliser un clapet antiretour de 1 1/2 po (38 mm) minimum dans le refoulement de la pompe pour éviter tout retour de liquide dans le bassin. Le clapet antiretour doit être une vanne à libre passage laissant facilement passer les matières solides. S'assurer que le clapet antiretour est conforme aux codes locaux.

REMARQUE : Pour un meilleur passage des matières solides dans le clapet antiretour, ne pas l'installer avec le refoulement à un angle supérieur à 45° par rapport à l'horizontale. Ne pas installer le clapet antiretour en position verticale, car les matières solides risquent de se déposer dans le clapet et empêcher son ouverture au démarrage. Percer un trou de 3/16 po (5 mm) dans le tuyau de refoulement à environ 1 à 2 po (25-50 mm) au-dessus du raccord de refoulement de la pompe (mais sous le clapet antiretour) pour éviter la formation de poches d'air dans la pompe.

Alimentation électrique.

⚠ AVERTISSEMENT **Tension dangereuse. Risque d'électrocution, de brûlures ou de mort.** Pour installer, utiliser ou entretenir cette pompe, suivre les instructions de sécurité figurant ci-dessous.

1. **NE PAS** épissurer le cordon électrique, immerger la fiche du cordon électrique, ni utiliser de rallonges.
2. **NE PAS** manipuler ni réparer la pompe pendant qu'elle est branchée à l'alimentation électrique.
3. **NE PAS** utiliser la pompe si elle n'est pas correctement reliée à la terre. Brancher directement la pompe dans le bornier relié à la terre avec un flotteur automatique ou un boîtier de commande de pompe. Le cordon électrique sur les pompes monophasées est un conducteur à 3 fils avec fiche à 3 broches pour la mise à la terre. Ne pas modifier le cordon ni la fiche. En cas d'utilisation d'une prise de courant, brancher la pompe uniquement dans une prise à 3 fils reliée à la terre. Brancher la pompe conformément à tous les codes applicables.

Pour un fonctionnement automatique, brancher ou câbler à un interrupteur flotteur ou un contrôleur automatiques. Pour un fonctionnement continu, brancher directement la pompe dans une prise de courant ou la câbler directement dans un boîtier d'interrupteur. Brancher la pompe à son propre circuit de dérivation individuel sans rien d'autre sur le circuit. Voir le Tableau de spécifications (page 2) pour les tailles des fusibles ou disjoncteurs.

⚠ AVERTISSEMENT **Risque d'électrocution et d'incendie.**

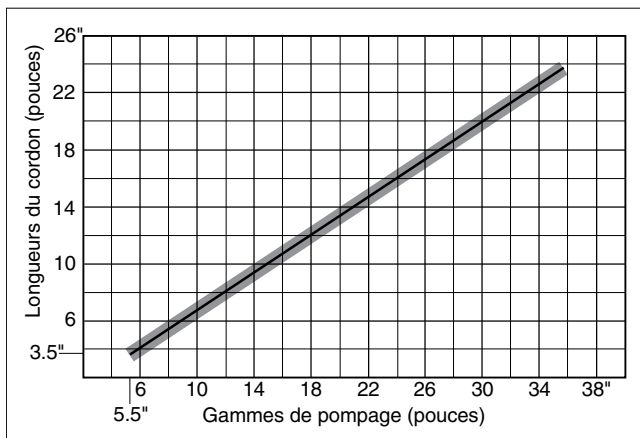
S'assurer que les informations d'alimentation électrique (tension/fréquence/phase) sur la plaque signalétique du moteur de pompe correspondent exactement à l'alimentation électrique d'entrée. Installer la pompe conformément aux codes électriques applicables.

Les modèles avec interrupteur flotteur automatique sont réglés en usine avec une longueur du câble de 4 po. Cette longueur peut être réglée en fonction des gammes de pompes. (Voir le graphique de rendement à la page 4). L'installateur doit s'assurer que l'interrupteur ne risque pas de se coincer et que la longueur est réglée pour qu'il reste au moins 2 po de liquide au-dessus de l'aspiration de la pompe au niveau le plus bas et sous le tuyau d'entrée du puisard au niveau le plus haut.

Surcharges - Moteur monophasé

Sur les moteurs monophasés, un dispositif automatique de protection contre les surcharges dans le moteur l'empêche de griller à cause d'une surchauffe/surcharge. Quand le moteur refroidit, le dispositif se réenclenche et redémarre automatiquement le moteur.

Si le dispositif se déclenche fréquemment, vérifier l'origine du problème. Il pourrait s'agir d'un impulseur bloqué, d'une tension erronée/basse ou d'une panne électrique dans le moteur. Si l'on soupçonne une panne électrique du moteur, le faire réparer par un réparateur compétent.



413 0893 FR

Graphique de rendement – Longueur du câble et plage de pompage

Réglage de surcharge au tableau de commande – Moteur triphasé

REMARQUE : Le tableau de commande n'est pas fourni avec la pompe. Voir les instructions d'installation et d'utilisation du tableau de commande avant de modifier le réglage de surcharge.

Pour les pompes dont le facteur de surcharge de la plaque signalétique est de 1,0, régler le dispositif de protection contre les surcharges au courant de pleine charge de la plaque signalétique.

Pour les pompes dont le facteur de surcharge de la plaque signalétique est de 1,15 ou plus, régler le dispositif de protection contre les surcharges à 1,09 fois le courant de pleine charge de la plaque signalétique.

Régler le dispositif de protection contre les surcharges de façon à ce que le courant de déclenchement soit de 115 % du réglage final sélectionné ci-dessus.

ENTRETIEN

La pompe est lubrifiée à vie. Il n'est pas nécessaire de la huiler ou de la graisser en fonctionnement normal.

REMARQUE : Veiller à ce que la pompe ne tourne pas à sec. Cela annulera la garantie et peut endommager la pompe.

⚠ AVERTISSEMENT **Tension dangereuse. Peut causer une électrocution, des brûlures ou la mort.** Avant tout entretien de la pompe, débrancher l'alimentation électrique de la pompe et de l'interrupteur de commande.

Après avoir retiré le couvercle du puisard et la tuyauterie de refoulement nécessaire, soulever la pompe hors du puisard.

⚠ AVERTISSEMENT **Risque d'électrocution. Peut causer des brûlures ou la mort.** Ne pas soulever la pompe par le cordon d'alimentation. Voir « Avertissement relatif au cordon d'alimentation ». Placer la pompe dans un endroit où elle peut être nettoyée efficacement. Retirer le tartre et les dépôts de la pompe.

Immerger la pompe dans un produit désinfectant (eau de Javel ou chlore) pendant au moins une heure avant de la démonter. Le carter du moteur de pompe contient une huile lubrifiante spéciale.

L'huile doit être maintenue propre et ne pas contenir d'eau en permanence.

REMARQUE : Chaque fois que le couvre-moteur est déposé pour l'entretien, retirer l'huile et la remplacer par de l'huile neuve lors du remontage. Utiliser uniquement l'huile figurant dans la nomenclature (Pièce n° U197-8A). Lors du remplissage avec de l'huile neuve, NE PAS trop remplir. Pour permettre au liquide de se dilater, le niveau d'huile avec le moteur froid devrait être à environ 1/4 po (6 mm) au-dessus du haut du moteur.

Remplacement de l'impulseur, du joint et du condensateur

⚠ AVERTISSEMENT **Risque d'électrocution. Débrancher l'alimentation électrique avant d'effectuer n'importe quel travail sur la pompe!**

Consulter les dessins de montage de la page 6.

Démontage

1. Dévisser les vis à tête à six pans et déposer l'ensemble de moteur de la volute et le mettre de côté dans un endroit propre.
2. Retirer le bouchon d'huile. Retourner la pompe pour vidanger l'huile.
3. Maintenir l'impulseur, déposer l'écrou de l'impulseur et la rondelle.
4. Dévisser l'impulseur (le tourner dans le sens antihoraire) pour le nettoyer.

⚠ AVERTISSEMENT **Risque d'électrocution. Avant de toucher le condensateur, le décharger en mettant en court-circuit les bornes avec un tournevis à manche orange.**

5. Desserrer l'écrou du cordon et tirer doucement l'ensemble de cordon hors du couvre-moteur. Débrancher les fils du cordon (les fils et le connecteur ont des codes de couleur pour le remontage).
6. Détacher les vis à six pans creux maintenant le couvre-moteur sur la plaque d'étanchéité et déposer le couvre-moteur.
7. En cas de remplacement du condensateur, retirer les fils du condensateur. Déposer le condensateur.
8. Retirer le demi-joint rotatif de l'arbre.
9. Poser le moteur sur un berceau de façon à ce qu'il reste vertical avec l'arbre du moteur sortant en bas.
10. Déposer les boulons traversants de l'ensemble du moteur. Déposer le moteur et l'arbre de la plaque d'étanchéité.
11. Depuis l'arrière de la plaque d'étanchéité, faire sortir avec un marteau la tête de joint primaire de la plaque d'étanchéité; nettoyer soigneusement la cavité du siège.

Remontage

REMARQUE : S'assurer que les faces du joint sont propres et ne sont pas endommagées. Appliquer du Permatex #2 ou un produit équivalent modérément sur le bord extérieur du corps du joint (avec ressort). Figure 1.

1. Enfoncer le corps de joint neuf dans la cavité de la plaque d'étanchéité (Figure 1).

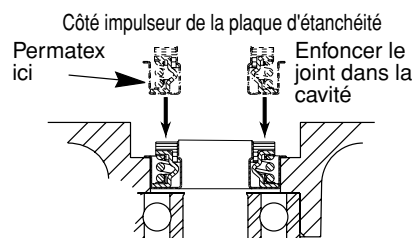


Figure 1

2. Remonter le moteur et l'arbre sur la plaque d'étanchéité en utilisant les quatre boulons traversants déposés à l'étape 10 sous « Démontage ».

REMARQUE : Ne pas trop serrer les boulons traversants!

3. Glisser sur l'arbre un demi-joint rotatif neuf (Figure 2).
REMARQUE : Ne pas entailler ni rayer la face du joint en carbure de silicium en la passant sur l'épaulement de l'arbre. Les faces du joint doivent être propres et en bon état, sinon le joint risque de fuir.

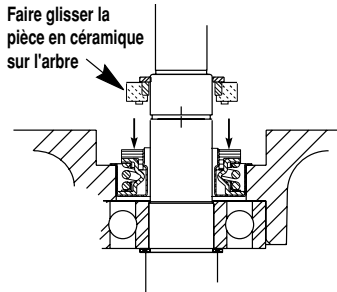


Figure 2

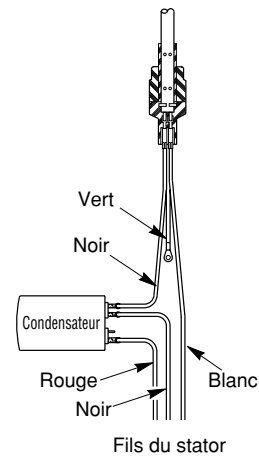
4. Remonter l'impulseur, la rondelle et l'écrou de l'impulseur.
5. Poser un condensateur neuf. Voir ci-dessous les connexions électriques du condensateur.
6. Vérifier soigneusement le joint torique; le remplacer s'il est endommagé. S'il n'est pas entaillé ni rayé, le nettoyer et le remettre en place.

REMARQUE : Il vaut mieux remplacer le joint torique à chaque fois que la pompe est entretenue.

7. Remonter le couvercle du condensateur, en faisant passer le fil par le trou du connecteur, puis rebrancher les fils du cordon au connecteur. Respecter les marques des codes de couleur.

8. Remplir le moteur d'huile diélectrique neuve (Pièce n° U197-8A). Pour permettre au liquide de se dilater, le niveau d'huile avec le moteur froid devrait être à environ 1/4 po (6 mm) au-dessus du haut du moteur.

Branchements du condensateur (moteur monophasé seulement)



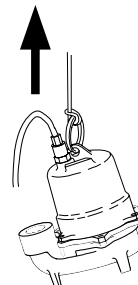
Pour les connexions de câblage des moteurs triphasés, voir les schémas de « câblage des moteurs triphasés » à la page 8.

⚠ AVERTISSEMENT



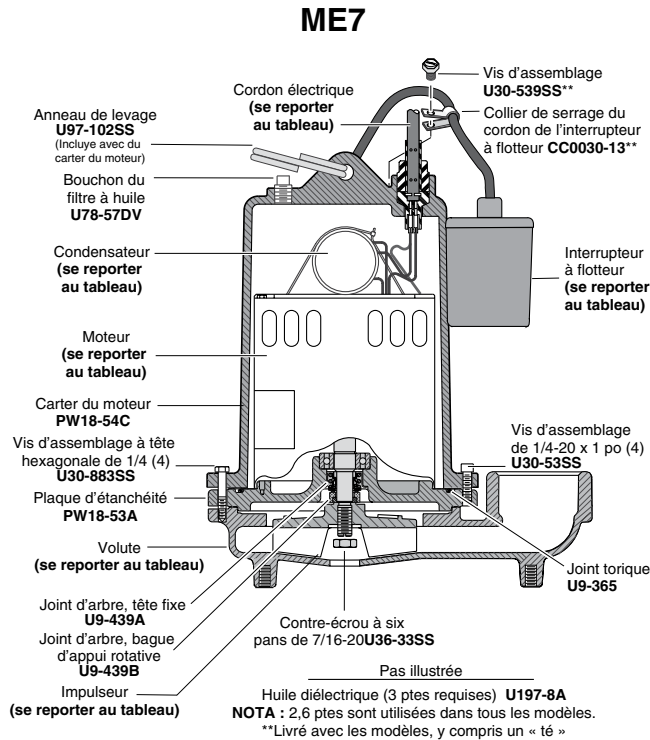
**Risque de secousses électriques.
Risque de brûlures, voire de mort.
Ne pas lever la pompe par son
cordon électrique.**

AVERTISSEMENT CONCERNANT LE LEVAGE PAR LE CORDON ÉLECTRIQUE

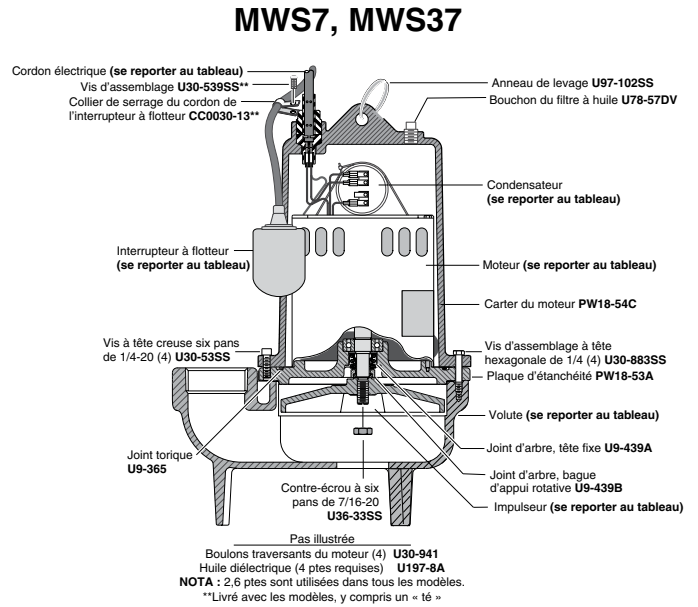


1. Essayer de lever ou de supporter la pompe par son cordon électrique endommagera le cordon et ses connexions.
2. Le cordon peut se détacher, ses fils nus peuvent être exposés et présenter un danger d'incendie ou de secousses électriques.
3. Lever ou porter la pompe par son cordon électrique annulera la garantie.
4. Toujours lever ou baisser la pompe par ses poignées. Avant d'intervenir sur la pompe ou la sortir du puisard, couper le courant qui l'alimente.

PIÈCES DÉTACHÉES – SÉRIES MWS7 ET ME7



1306 1094 EC7-FR



1306 1094 SC7-FR

PIÈCES DÉTACHÉES - SÉRIES ME7, MWS, MWS3

Modèle	Condensateur*	Ensemble de moteur	Volute	Impulseur	Interrupteur flotteur	Cordon d'alimentation
ME750120M	U18-1592	PW218-62	PW1-8F	PW5-9	-	PW117-231-TSE
ME750120T	U18-1592	PW218-62	PW1-8F	PW5-9	PW217-111B	PW117-231-TSE
MWS750120T	U18-1590	PW218-67	PW1-14	PW5-3	PW217-107B	PW117-231-TSE
MWS75120T	U18-1590	PW218-136	PW1-14	PW5-4	PW217-111B	PW117-231-TSE
MWS3750120T	U18-1590	PW218-67	PW1-3A	PW5-3	PW217-107B	PW117-231-TSE
MWS375120T	U18-1590	PW218-136	PW1-3A	PW5-4	PW217-111B	PW117-231-TSE
MWS3775220T	U18-1588	PW218-71	PW1-14	PW5-4	PW217-112B	PW117-232-TSE

*Moteur monophasé seulement

Un tableau de commande est nécessaire pour tous les modèles triphasés.

Les modèles à refoulement de 2 po et 3 po utilisent les mêmes pièces détachées.

Remplacement de l'impulseur, du joint et du condensateur – Série MWS9

⚠ AVERTISSEMENT Risque d'électrocution. Débrancher l'alimentation électrique avant d'effectuer n'importe quel travail sur la pompe!

Consulter les dessins de montage de la page 18.

Démontage

- Retirer les boulons à tête hexagonale maintenant le carter du moteur à la volute. Retirer le carter du moteur et le mettre de côté dans un endroit propre.
- En maintenant l'impulseur, retirer la vis et la rondelle ou le contre-écrou de l'impulseur.
- Faire glisser l'impulseur hors de l'arbre pour le nettoyer. Si nécessaire, taper avec un marteau sur l'impulseur pour le détacher.
- Poser le moteur sur un berceau de façon à ce qu'il reste vertical avec l'arbre du moteur sortant en bas.

⚠ AVERTISSEMENT Risque d'électrocution. Avant de toucher le condensateur, le décharger en mettant en court-circuit les bornes avec un tournevis à manche orange.

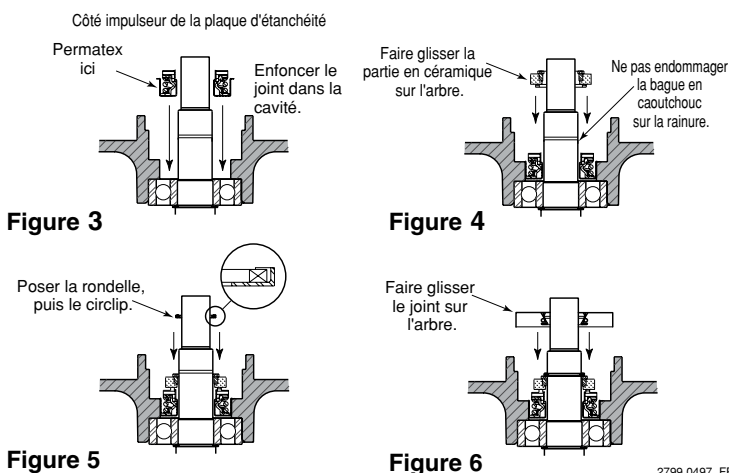
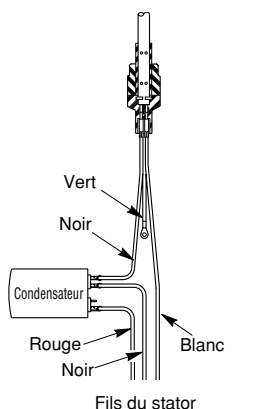
- Dévisser les vis à tête à six pans maintenant le couvercle du condensateur et retirer le couvercle. Débrancher les fils du cordon (les fils et le connecteur ont des codes de couleur pour le remontage). Retourner la pompe pour vidanger l'huile.
- En cas de remplacement du condensateur (moteur monophasé uniquement), retirer les fils du condensateur. Déposer le condensateur.
- Faire glisser un petit tournevis le long de l'arbre et sortir le joint à lèvres. Mettre au rebut le joint à lèvres déposé. Faire attention à ne pas rayer l'arbre.
- Retirer la bague de retenue et la rondelle de l'arbre du moteur et faire glisser le demi-joint rotatif de l'arbre.
- Déposer le couvre-moteur de la plaque d'étanchéité. Déposer les boulons traversants de l'ensemble du moteur. Déposer le moteur et l'arbre de la plaque d'étanchéité.
- Depuis l'arrière de la plaque d'étanchéité, faire sortir avec un marteau la tête de joint primaire de la plaque d'étanchéité; nettoyer soigneusement la cavité du siège.

Remontage

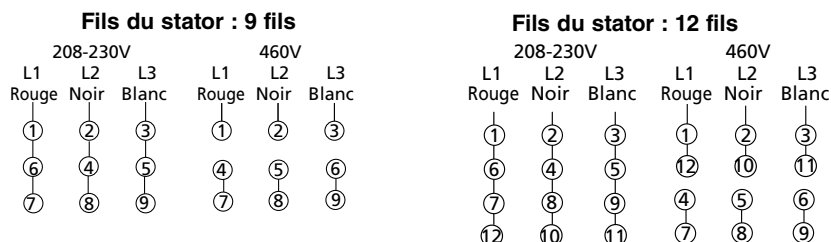
REMARQUE : S'assurer que les faces du joint sont propres et ne sont pas endommagées.

- Appliquer modérément du Permatex #2 à l'extérieur de la tête de joint primaire. Enfoncer la tête de joint primaire neuf dans la cavité de la plaque d'étanchéité. Voir la figure 3.
- Poser la plaque d'étanchéité sur le berceau et remonter le moteur.
REMARQUE : Ne pas trop serrer les boulons traversants!
- Vérifier soigneusement le joint torique de la plaque d'étanchéité; le remplacer s'il est endommagé. Placer le joint torique dans la rainure de la plaque d'étanchéité, monter le moteur sur la plaque d'étanchéité avec les vis à six pans creux.
REMARQUE : Il vaut mieux remplacer le joint torique à chaque fois que la pompe est réparée.
- Retourner l'ensemble et faire glisser la partie rotative neuve du joint sur l'arbre. Appliquer du savon sur la bague en caoutchouc pour aider le joint à glisser sur l'arbre.
REMARQUE : Ébavurer la rainure du circlip avant de poser le joint. Ne pas endommager la face en céramique ou la bague en caoutchouc en faisant passer le joint sur l'épaule de l'arbre et l'épaule de la rainure de circlip. Les faces du joint et la bague doivent être propres et en bon état, sinon le joint risque de fuir. Voir la figure 4.
- Remonter la rondelle et le circlip sur l'arbre. Voir la figure 5.
- Poser un joint à lèvres neuf (figure 6). Lubrifier le joint à lèvres avec une petite quantité d'Aqualube ou une graisse au lithium.
- Remonter l'impulseur, la vis d'assemblage ou le contre-écrou et la rondelle de l'impulseur.
- Remonter le condensateur (moteurs monophasés seulement). Voir ci-dessous les connexions électriques du condensateur.
- Remplir le moteur d'huile diélectrique neuve (Pièce n° U197-8A). Pour permettre au liquide de se dilater, le niveau d'huile avec le moteur froid devrait être à environ 1/4 po (6-7 mm) au-dessus du haut du moteur.
- Vérifier le joint torique du couvercle de condensateur; le remplacer s'il est endommagé. S'il n'est pas entaillé ni rayé, le nettoyer et le remettre en place.
REMARQUE : Il vaut mieux remplacer le joint torique à chaque fois que la pompe est réparée.
- Rebrancher les fils du moteur au connecteur. Respecter les marques de couleur et les schémas de branchement du câblage ci-dessous.

Branchements du condensateur (moteur monophasé seulement)

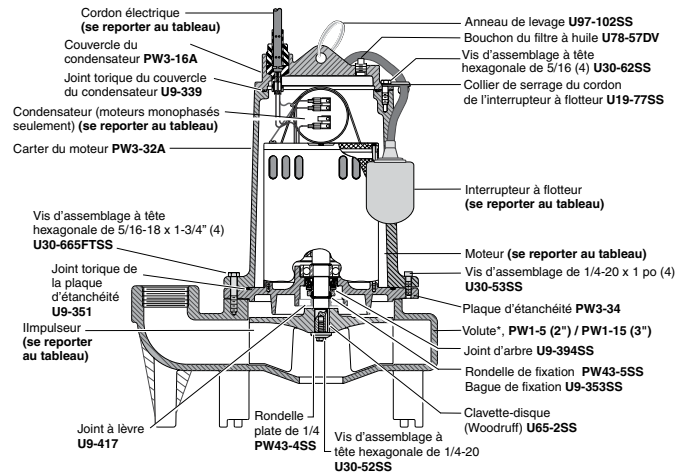


Schémas de branchement du câblage triphasé



PIÈCES DÉTACHÉES – SÉRIES MWS ET MWS3

MWS et MWS3



Pas illustrée
Huile diélectrique (3 pts requises) U197-8A
NOTA : 2,6 pts sont utilisées dans tous les modèles.

1307B 0497 SC9-FR

Modèle	Condensateur*	Ensemble de moteur	Impulseur	Interrupteur flotteur	Cordon d'alimentation
MWS39100220M	U18-1589	PW118-81	PW5-7B	–	PW117-232-TSE
MWS9100220T, MWS39100220T	U18-1589	PW118-81	PW5-7B	PW217-224	PW117-232-TSE
MWS39100520M	–	PW118-120	PW5-7B	–	PW117-235-TSE
MWS9150220M, MWS39150220M	U18-1590	PW118-83	PW5-7A	–	PW117-232-TSE
MWS9150420M	–	PW118-87	PW5-7A	–	PW117-235-TSE
MWS39150520M	–	PW118-120	PW5-7A	–	PW117-235-TSE
MWS9200220M, MWS39200220M	U18-1592	PW118-83	PW5-7	–	PW117-232-TSE
MWS39200320M	–	PW118-87	PW5-7	–	PW117-235-TSE
MWS9200420M	–	PW118-87	PW5-7	–	PW117-235-TSE
MWS39200320M	–	PW218-120	PW5-7	–	PW117-235-TSE

* Les numéros de modèle série MWS utilisent la volute P/N. PW1-5. Les numéros de modèle série MWS3 utilisent la volute P/N PW1-15.

** Les numéros de modèle série MWS utilisent la plaque d'étanchéité P/N PW3-34. Les numéros de modèle série EC9 utilisent la plaque d'étanchéité P/N PW3-35.

**** Les numéros de modèle se terminant par « T » ont un numéro de modèle d'interrupteur flotteur PW217-224. L'interrupteur flotteur PW217-224 est activé à 22 po et désactivé à 13 po.

PROBLÈMES – SOLUTIONS

⚠ AVERTISSEMENT Démarrages soudains. Si la pompe est sous tension quand la protection contre les surcharges se réenclenche, la pompe peut démarrer sans avertissement.

Si vous travaillez sur la pompe, vous risquez une électrocution ou l'impulseur peut coincer vos doigts ou des outils. Couper le courant avant d'intervenir sur la pompe.

A. La pompe ne fonctionne pas :	<ol style="list-style-type: none"> Vérifier que le cordon électrique est bien branché dans une prise ou câblé dans le contrôleur ou le boîtier d'interrupteur. Couper l'alimentation de la boîte de sortie avant de manipuler la pompe ou le moteur. Vérifier qu'il y a du courant électrique. Vérifier que le niveau de liquide est assez haut pour activer l'interrupteur ou le contrôleur. Vérifier que le trou d'aération de 5 mm (3/16 po) dans le tuyau de refoulement n'est pas bouché. Vérifier qu'il n'y a pas de blocage dans l'entrée de la pompe, le clapet antiretour ou le tuyau de refoulement. La protection contre les surcharges est peut-être déclenchée. Essayer de démarrer la pompe; si elle démarre puis s'arrête immédiatement, débrancher l'alimentation pendant 30 minutes pour laisser le moteur refroidir, puis rebrancher l'alimentation. Vérifier la cause d'une surchauffe/surcharge.
B. La pompe ne vide pas le puisard :	<ol style="list-style-type: none"> S'assurer que toutes les vannes de la canalisation de refoulement sont complètement ouvertes. Nettoyer le tuyau de refoulement et le clapet antiretour. Vérifier si l'entrée de la pompe ou l'impulseur sont bouchés. La taille de la pompe n'est pas adaptée. Une pompe de plus grande capacité est peut-être nécessaire.
C. La pompe ne s'arrête pas :	<ol style="list-style-type: none"> Vérifier si les flotteurs de l'interrupteur ou du contrôleur fonctionnent correctement et sont en place. Voir les instructions d'installation de l'interrupteur/du contrôleur. Si la pompe ne fonctionne pas du tout ou continue de mal fonctionner, consulter le réparateur local.

Garantie limitée :

Myers® garantit à l'acheteur initial (« l'acheteur » ou « vous ») des produits figurant ci-dessous qu'ils seront exempts de tout défaut de matériel et de fabrication pour la période de garantie indiquée ci-dessous.

Produit	Période de garantie selon la première éventualité :
Pompes à éjecteur, petites pompes centrifuges, pompes submersibles et accessoires connexes	12 mois à partir de la date de première installation ou 18 mois à partir de la date de fabrication
Réservoirs en fibre enroulée	5 ans à partir de la date de première installation
Réservoirs sous pression en acier	5 ans à partir de la date de première installation
Produits pour puisard/eaux usées/effluents	12 mois à partir de la date de première installation ou 36 mois à partir de la date de fabrication
Unités de batterie de secours MBSP-2, MBSP-2C MBSP-3, MBSP-3C	12 mois à partir de la date de première installation ou 18 mois à partir de la date de fabrication 24 mois à partir de la date de première installation ou 30 mois à partir de la date de fabrication
Pompes de traitement des matières solides des eaux usées	12 mois à partir de la date d'expédition de l'usine ou 18 mois à partir de la date de fabrication

Notre garantie s'applique uniquement quand ces produits sont utilisés conformément aux exigences du catalogue et/ou des manuels des produits concernés. Pour plus d'information, consultez la garantie limitée standard applicable dans le manuel du produit.

Notre garantie ne s'applique pas aux produits qui, à notre seul avis, ont fait l'objet de négligence, d'une mauvaise utilisation, d'une mauvaise installation ou d'un manque d'entretien adéquat. Sans aucune limitation des présentes, l'utilisation d'un moteur triphasé sur un courant monophasé par l'intermédiaire d'un déphaseur annule la garantie. Il faut également noter que les moteurs triphasés doivent être protégés par un relais de surcharge tripolaire thermocompensé à déclenchement extrêmement rapide du calibre recommandé, sinon la garantie sera annulée.

Votre seul recours et la seule responsabilité de MYERS sont que MYERS répare ou remplace les produits défectueux (au choix de MYERS). Vous vous engagez à payer tous les frais de main-d'œuvre et d'expédition du produit couvert par cette garantie et de vous adresser au concessionnaire-installateur dès qu'un problème est découvert pour obtenir un service sous garantie. Aucune demande de service ne sera acceptée après l'expiration de la période de garantie. Cette garantie n'est pas transférable.

MYERS NE SERA TENUE RESPONSABLE D'AUCUN DOMMAGE INDIRECT, ACCIDENTEL OU FORTUIT, QUEL QU'IL SOIT.

LES GARANTIES LIMITÉES SUSMENTIONNÉES SONT EXCLUSIVES ET REMPLACENT TOUTES LES AUTRES GARANTIES EXPRESSES ET TACITES, Y COMPRIS, MAIS SANS S'Y LIMITER, LES GARANTIES TACITES DE QUALITÉ MARCHANDE ET D'ADAPTATION À UN USAGE PARTICULIER. LES GARANTIES LIMITÉES SUSMENTIONNÉES NE DOIVENT PAS ÊTRE PROLONGÉES AU-DELÀ DE LA DURÉE PRÉVUE AUX PRÉSENTES.

Certaines provinces n'autorisent pas d'exclure ou de limiter les dommages fortuits ou indirects ou de limiter la durée d'une garantie implicite; il se peut donc que les limitations ou exclusions ci-dessus ne s'appliquent pas à votre cas. La présente garantie vous donne des droits juridiques spécifiques et vous pouvez en avoir d'autres qui varient d'une province à l'autre.

Cette garantie limitée entre en vigueur le 1er avril 2014 et remplace toutes les garanties non datées et les garanties datées avant le 1er avril 2014

F.E. MYERS

293 Wright Street, Delavan, WI 53115 Téléphone : 888-987-8677 Télécopieur : 800-426-9446 • www.femyers.com

Au Canada : 490 chemin Pinebush, unité 4, Cambridge (Ontario) N1T 0A5

Téléphone : 800-387-4386 Télécopieur : 888-606-5484

MYERS®

Bombas sumergibles para el manejo de efluente, aguas cloacales y partículas sólidas

MANUAL DE INSTALACIÓN, OPERACIÓN Y REPUESTOS

INFORMACIÓN SOBRE LA SEGURIDAD

¡Es importante que lea y observe todas las instrucciones de seguridad en este manual o en la bomba!

⚠ Este es un símbolo de alerta sobre la seguridad. Cuando vea este símbolo en su bomba o en este manual, busque para ver si hay alguna de las siguientes palabras de señal y esté alerta sobre la posibilidad de lesiones personales.

⚠ PELIGRO Advierte sobre peligros que ocasionarán lesiones personales graves, muerte o daños considerables a la propiedad si se les ignora.

⚠ ADVERTENCIA Advierte sobre peligros que pueden ocasionar lesiones personales graves, muerte o daños considerables a la propiedad si se ignoran.

⚠ PRECAUCIÓN Advierte sobre peligros que ocasionarán o pueden ocasionar lesiones personales o daños a la propiedad menores si se ignoran.

La palabra **AVISO** indica instrucciones especiales que son importantes pero que no están relacionadas con los peligros.

AVISO: La bomba debe instalarse en posición vertical solamente. La instalación de la bomba en cualquier otra posición, invalidará la garantía.

1. Es importante que lea cuidadosamente estas reglas e instrucciones para evitar lesiones graves y/o daños materiales.
2. Verifique sus códigos locales antes de la instalación. Deberá cumplir con sus reglas.
3. Ventile el tanque cloacal o séptico según los códigos locales.
4. No instale la bomba en ningún lugar clasificado como peligroso por el Código Eléctrico Nacional ANSI/NFPA 70-1984.
5. La bomba está caliente al tacto durante la operación. Para evitar quemaduras durante las operaciones de reparación y mantenimiento, deje que se enfríe durante 20 minutos después de haberla apagado y antes de manipularla.
6. No haga marchar la bomba en seco. La marcha en seco puede hacer que la bomba se recaliente e invalidará la garantía.
7. La bomba viene con lubricación permanente. No se necesita aceite ni engrasar durante una operación normal. Para ponerla a punto, consulte las incrustaciones en la sección de "Servicio" que aparece en la página 4.

⚠ ADVERTENCIA **Tensión peligrosa. Puede causar choque, quemaduras o muerte.** La bomba se encuentra en agua durante la operación. Para evitar choques fatales, continúe de la siguiente manera, si la bomba necesita reparaciones:

- 8A. Conecte la bomba a tierra conforme a todos los códigos y reglamentos correspondientes.
- 8B. Desconecte la corriente a la caja de toma de corriente o a los disyuntores antes de realizar reparaciones.
- 8C. Para reducir el riesgo de choques eléctricos, tenga cuidado cuando cambie los fusibles o reponga los disyuntores. No se pare en el agua cuando trabaje con la caja de control o con los disyuntores.

Bombas monofásicas:

- 8D. Cuando use un cordón y enchufe, solamente enchufe la bomba a una toma de corriente con conexión a tierra. Cuando haga el cableado a un dispositivo de control de sistemas, conecte el conector a tierra de la bomba a la puesta a tierra del sistema.

Bombas trifásicas:

⚠ ADVERTENCIA **Riesgo de choque eléctrico.** No saque el cordón ni el dispositivo de desahogo de tensión. No conecte un conducto a la bomba.

- 8E. Las bombas trifásicas han sido diseñadas solamente para conexiones permanentes. Proporcione un desahogo de tensión en la caja de control para la conexión del cordón de suministro de corriente a la caja. Todos los componentes del control deberán ser del tipo certificado por UL y adecuados para el uso final planeado. Es importante que solamente personas calificadas instalen la bomba y todo el equipo de control asociado con la misma.

Advertencia de la Proposición 65 de California

⚠ ADVERTENCIA Este producto y accesorios relacionados contienen sustancias químicas reconocidas en el Estado de California como causantes de cáncer, malformaciones congénitas y otros daños al sistema reproductivo.

DESCRIPCIÓN

Estas bombas han sido diseñadas para la remoción de aguas cloacales, efluente y aguas residuales, para drenar sumideros, para sistemas de transferencia de líquidos, circulación, achique/escurrecimiento y control de inundaciones. Los motores son monofásicos de 115V o 230V o trifásicos de 208-230V o 460V. Todos los modelos vienen con un cordón de corriente de 20 pies (6 m) de largo con enchufe de 3 puntas, de tipo conexión a tierra.

Los modelos MWS7, MWS9 y MWS9 están clasificados para un servicio continuo cuando estén sumergidos en un líquido con una temperatura máxima de 105° F (40.5° C).

La temperatura máxima del líquido es de 130° F (55° C).

AVISO: Esta unidad no ha sido diseñada para uso con agua salada o salubre. El uso con agua salada o salubre anulará la garantía.

ESPECIFICACIONES – SERIES ME7, MWS, MWS3

Modelo No.	Motor CV	Voltios	Fase	Carga máx. – amperios	Requiere un ramal individual (amperios)	Tamaño del adaptador de descarga (pulgadas)	Graduación del conmutador en pulgadas (mm)	
							Activado	Desactivado
ME750220M	1/2	230	1	6.6	10	2	–	–
ME750120M	1/2	115	1	13.0	15	2	–	–
ME750120T	1/2	115	1	13.0	15	2	18.1(460)	9.1(231)
MWS3750120T	1/2	115	1	11.2	15	3	20(508)	11(279)
MWS3775120T	3/4	115	1	12.0	15	3	20(508)	11(279)
MWS3750120T	1/2	115	1	11.2	15	3	20(508)	11(279)
MWS3775120T	3/4	115	1	12.0	15	2	20(508)	11(279)
MWS3775220T	3/4	230	1	6.7	10	3	20(508)	11(279)
MWS3775220T	3/4	230	1	6.7	10	3	20(508)	11(279)

ESPECIFICACIONES – SERIES MWS and MWS3

Modelo No.	Motor CV	Voltios	Fase	Carga máx. – amperios	Requiere un ramal individual (amperios)	Tamaño del adaptador de descarga (pulgadas)
MWS9100220M, MWS39100220M	1	230	1	8.5	15	2,3
MWS9150220M, MWS39150220M	1-1/2	230	1	12.0	15	2,3
MWS9150420M	1-1/2	460	3	4.7	10	2,3
MWS39150520M	1-1/2	575	3	3.8	6	3
MWS9200220M, MWS39200220M	2	230	1	13.0	15	2,3
MWS39200320M	2	230	3	10.0	15	2,3
MWS9200420M	2	460	3	5.3	10	2,3
MWS39200520M	2	575	3	4.2	10	3

RENDIMIENTO – SERIES ME7, MWS, MWS3

GPM A ALTURA TOTAL EN PIES									No hay flujo a las alturas que se indican a continuación
Modelo	10	20	30	40	50	60	70	80	
CAPACIDAD EN GALONES/MINUTO									
ME750120M	110	95	80	60	35	–	–	–	59
ME750120T	110	95	80	60	35	–	–	–	59
ME750220M	60	60	60	55	50	30	5	–	59

GPM A ALTURA TOTAL EN PIES					No hay flujo a las alturas que se indican a continuación
Modelo	10	20	30	40	
CAPACIDAD EN GALONES/MINUTO					
MWS3750120T	100	40	–	–	26
MWS3750120T	100	40	–	–	26
MWS375120T	115	60	–	–	28
MWS3775220T	115	60	–	–	28

* Los flujos son para agua con una temperatura de 200° F (93,3° C).

RENDIMIENTO – SERIES MWS y MWS3

El mismo rendimiento para la Serie MWS9 con descarga de 2" (5.08 cm) y la Serie MWS39 con descarga de 3" (7.62 cm)

GPM A ALTURA TOTAL EN PIES								No hay flujo a las alturas que se indican a continuación
Modelo	10	20	30	40	50	60	70	
CAPACIDAD EN GALONES/MINUTO								
MWS9100220M, MWS39100220T	185	140	80	–	–	–	–	38
MWS9100220T, MWS39100220M	185	140	80	–	–	–	–	38
MWS39100520M	185	140	80	–	–	–	–	38
MWS9150220M, MWS39150220M	215	175	120	40	–	–	–	43
MWS9150420M	215	175	120	40	–	–	–	43
MWS39150520M	215	175	120	40	–	–	–	43
MWS9200220M, MWS39200220M	230	190	150	100	30	–	–	54
MWS39200320M	230	190	150	100	30	–	–	54
MWS9200420M	230	190	150	100	30	–	–	54
MWS39200520M	230	190	150	100	30	–	–	54

INSTALACIÓN

⚠ ADVERTENCIA **Riesgo de choque eléctrico. Puede causar quemaduras o muerte.** No levante la bomba por medio del cordón de corriente. Consulte el cuadro de “Advertencia sobre la utilización del cordón para levantar” en la página 5.

AVISO: Instale la bomba sobre una superficie dura, nivelada (cemento, asfalto, etc.). Nunca coloque la bomba directamente sobre superficies de tierra, arcilla o arenilla. La esclusa debe ser por lo menos de 18” (457 mm) de diámetro y 30” (762 mm) de profundidad.

Tubería

La tubería no debe ser más pequeña que la descarga de la bomba.

Cuando se instale en un sistema **cloacal**, la tubería debe ser capaz de manipular partículas semi-sólidas de un mínimo de 2” (51 mm) de diámetro

Cuando se instale en un sistema de **efluente**, la tubería deberá ser capaz de manipular partículas semi-sólidas de un mínimo de 3/4” (19 mm) de diámetro.

La velocidad de gasto en la tubería de descarga deberá mantener toda partícula sólida presente en suspensión dentro del líquido. Para cumplir con el mínimo de requisitos de flujo de 2 pies por segundo (61 cm/segundo) en la línea de descarga, las tuberías deberán ser de los tamaños siguientes:

Una tubería de:	Manipulará una velocidad de gasto:
2” (51 mm)	21 GPM (79,5 L/M)
2-1/2” (64 mm)	30 GPM (113,5 L/M)
3” (76 mm)	48 GPM (182 L/M)

En un sistema **cloacal**, use una válvula de retención de 2” (51 mm) en la descarga de la bomba para evitar retroflujo de líquido a la esclusa del sumidero. La válvula de retención deberá ser una válvula de flujo libre que pueda pasar partículas sólidas con facilidad. Asegúrese de que la instalación de la válvula de retención cumpla con los códigos locales.

En un sistema de **efluente**, use una válvula de retención de 1-1/2” (38 mm) en la descarga de la bomba para evitar retroflujo de líquido a la esclusa del sumidero. La válvula de retención deberá ser una válvula de flujo libre que pueda pasar partículas sólidas con facilidad. Asegúrese de que la instalación de la válvula de retención cumpla con los códigos locales.

AVISO: Para un mejor rendimiento de la válvula de retención en el manejo de partículas sólidas, no la instale con la descarga en un ángulo mayor de 45° sobre el nivel horizontal. No instale la válvula de retención en una posición vertical, ya que eso puede hacer que las partículas sólidas se asienten en la válvula y eviten que se abra durante el arranque.

Perfore un orificio de 3/16” (5 mm) en la tubería de descarga, a unos 1-2” (25 - 50 mm) por encima de la conexión de descarga de la bomba (pero debajo de válvula de retención), para evitar la creación de bolsas de aire en la bomba.

Sistema eléctrico

⚠ ADVERTENCIA **Tensión peligrosa. Puede causar choque, quemaduras o muerte.** Cuando instale, opere o repare esta bomba, observe las instrucciones de seguridad indicadas a continuación.

1. **NO** empalme el cordón de corriente eléctrica, no sumerja el cordón eléctrico ni el enchufe, ni use cordones de alargue.
2. **NO** manipulee ni repare la bomba mientras esté conectada al suministro de energía.
3. **NO** opere la bomba a menos que esté debidamente conectada a tierra. Haga el cableado de la bomba directamente en un bloque de bornes puesto a tierra en la caja de control de la bomba o en el flotador automático. El cordón de corriente en las unidades monofásicas es un conductor trifilar con un enchufe de tres puntas con puesta a tierra. No modifique el cordón ni el enchufe. Cuando use un receptáculo de enchufe, solamente enchufe la bomba en una toma de corriente trifilar conexión a tierra, debidamente puesta a tierra. Conecte la bomba conforme a todos los códigos correspondientes.

Para una operación automática, enchufe o cablee la bomba en un conmutador automático de flotador o un controlador de bomba. Para una operación continua, enchufe directamente en una toma de corriente o haga el cableado directo a la caja de conmutación. Conecte la bomba a su propio requiere un ramal individual sin ningún otro dispositivo en ese circuito. Consulte la tabla de especificaciones (página 2) para verificar los tamaños de los fusibles y de los disyuntores.

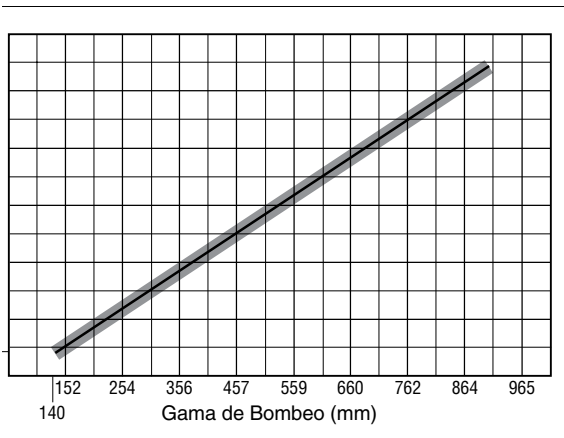
⚠ ADVERTENCIA **Riesgo de choque eléctrico y de incendio. Asegúrese de que la información sobre el suministro de corriente (tensión/hertz/fase) que aparece en la placa de fábrica del motor de la bomba, corresponda exactamente con el suministro de corriente de entrada. Instale la bomba conforme a todos los códigos eléctricos que correspondan.**

Los modelos con un conmutador automático de flotación vienen graduados de fábrica con un largo de traba de 4”. Este largo de traba se puede ajustar para adaptarse a una variedad de gamas de bombeo. (Consulte el gráfico de rendimiento en la página 4). El instalador debe asegurarse de que el conmutador no quede obstruido y que la gama se haya seleccionado de manera que el nivel del líquido permanezca 2” como mínimo por encima de la aspiración de la bomba en su nivel más bajo, y debajo de la tubería de admisión de la esclusa en su nivel más alto.

Sobrecargas – bomba monofásica

En las unidades monofásicas, un protector automático de sobrecarga en el motor protegerá al motor para que no se quemé debido a recalentamiento o sobrecarga. Cuando el motor se enfríe, el protector de sobrecarga se reposicionará automáticamente y arrancará el motor.

Si la sobrecarga se dispara con frecuencia, verifique cuál es la causa. Podría ser un impulsor atascado, tensión baja o inadecuada, o una falla eléctrica en el motor. Si se sospecha que la razón es una falla eléctrica en el motor, haga que una persona experta en reparaciones repare bomba.



413 0893SP

Gráfico de rendimiento – Largo de traba con respecto a la gama de bombeo

Ajuste de la sobrecarga en el tablero de control – bomba trifásica

AVISO: La bomba no viene con un tablero de control. Consulte las instrucciones de instalación y operación del tablero de control antes de ajustar la graduación de sobrecarga.

Para bombas con un factor de servicio en la placa de fábrica de 1,0, gradúe el dispositivo protector contra sobrecarga a la corriente de carga completa que aparece en la placa de fábrica.

Para bombas con un factor de servicio en la placa de fábrica de 1,5 o mayor, gradúe el dispositivo protector contra sobrecarga a 1,09 veces la corriente de carga completa que aparece en la placa de fábrica.

Es importante determinar el tamaño del dispositivo protector contra sobrecarga para que la corriente de disparo sea 115% de la graduación final según se seleccionó arriba.

SERVICIO

La bomba viene con lubricación permanente. No se necesita aceitar ni engrasar durante un servicio normal.

AVISO: No permita que la bomba marche en un sumidero seco. Eso invalidará la garantía y podrá perjudicar la bomba.

⚠ ADVERTENCIA Tensión peligrosa. Puede causar choques, quemaduras o muerte. Antes de realizar servicios de reparación en la bomba, desconecte la corriente eléctrica a la bomba y al conmutador de control.

Después de sacar la cubierta de la esclusa y las tuberías de descarga necesarias, saque la bomba de la esclusa.

⚠ ADVERTENCIA Riesgo de choque eléctrico. Puede quemar o matar. No levante la bomba por medio del cordón de corriente. Consulte la sección de “Advertencia sobre la utilización del cordón para levantar”.

Coloque la bomba en un lugar en donde se pueda limpiar a profundidad. Saque todos los depósitos y la oxidación que haya en la bomba. Sumerja la bomba en un desinfectante (clorox o cloro) por lo menos durante una hora antes de desarmarla.

La caja del motor de la bomba contiene un aceite especial de lubricación. Mantenga el aceite limpio y libre de agua en todo momento.

AVISO: Siempre que se saque la cubierta del motor para realizar servicios de reparación, saque el aceite y cámbielo por uno nuevo cuando vuelva a armar el motor. Use solamente el aceite indicado en la lista de repuestos (Repuesto No. U197-8A). Cuando llene con un aceite nuevo NO lo rellene demasiado. Para permitir espacio para la expansión, el nivel del aceite con el motor frío debe estar a 1/4” (6 mm) más o menos por encima de la parte superior del ensamblaje del motor.

Cambio del impulsor, de la junta y del capacitor

⚠ ADVERTENCIA Riesgo de choque eléctrico. Desconecte la corriente eléctrica antes de realizar servicios de reparaciones en la bomba.

Consulte los dibujos de ensamblaje en la página 6.

Desensamblaje

1. Destornille los tornillos prisioneros de cabeza hexagonal, saque la unidad del motor de la voluta y colóquela a un costado en un lugar limpio.
2. Saque el tapón del aceite. Invierta la bomba para drenar el aceite.
3. Sostenga el impulsor, saque la tuerca y la arandela del impulsor.
4. Destornille el impulsor (gire en dirección opuesta a las agujas del reloj) para la limpieza.

⚠ ADVERTENCIA Riesgo de choque eléctrico. Antes de tocar el capacitor, descárguelo, uniéndolo los bornes en corto circuito con un destornillador de mango color ámbar.

5. Afloje la tuerca del cordón y tire suavemente de la unidad del cordón hacia afuera de la cubierta del motor. Desconecte los cables del juego del cordón (los cables y el conector están codificados a color para poder volver a instalarlos correctamente).
6. Suelte los tornillos de cabeza hueca que sostienen la cubierta del motor a la placa de estancamiento y saque la cubierta del motor.
7. Si va a cambiar el capacitor, saque los cables del capacitor y luego saque el capacitor.
8. Saque la mitad giratoria de la junta de estancamiento del eje.
9. Coloque la unidad del motor de manera que quede en posición vertical con el eje del motor saliendo fuera del fondo.
10. Saque los pernos pasantes de la unidad del motor. Saque el motor y el eje de la placa de estancamiento.
11. Trabajando desde la parte posterior de la placa de estancamiento, golpetee la cabeza de la junta primaria para sacarla de la placa de estancamiento; limpie bien la cavidad de asentamiento.

Re-ensamblaje

AVISO: Asegúrese de que las superficies de la junta de estancamiento estén limpias y sin averías. Aplique Permatex #2 o un producto equivalente con moderación en el borde exterior del cuerpo de la junta (con el resorte). Figura 1.

1. Presione el nuevo cuerpo de la junta en la cavidad de la placa de estancamiento (Figura 1).

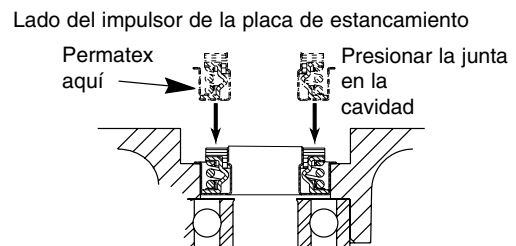


Figura 1

- Vuelva a instalar el motor y el eje en la placa de estancamiento usando los cuatro pernos pasantes que se retiraron en el paso 10 de la sección de "Desensamblaje".

AVISO: No apriete demasiado los pernos pasantes.

- Deslice la nueva mitad giratoria de la junta en el eje (Figura 2).

AVISO: No haga muescas ni raye la superficie de la junta de carburo de silicio cuando la pase por encima del hombro del eje. Las superficies de la junta de estancamiento debe estar limpias y sin averías o pueden haber fugas.

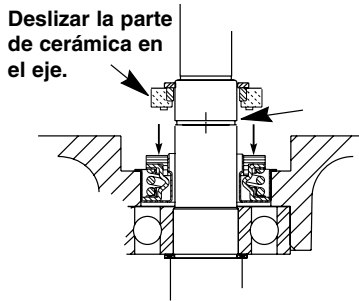


Figura 2

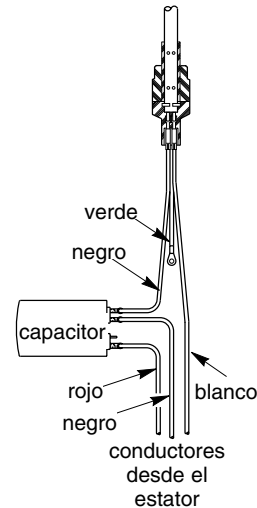
- Vuelva a armar el impulsor, la arandela y la tuerca del impulsor.
- Instale el nuevo capacitor. Consulte a continuación las conexiones eléctricas al capacitor.
- Inspeccione cuidadosamente el aro tórico. cámbielo si está averiado. Si no tiene muescas ni arañazos, límpielo y vuelva a instalarlo.

AVISO: Se recomienda cambiar el aro tórico cada vez que se realicen reparaciones en la bomba.

- Vuelva a instalar la cubierta del capacitor, pasando el cable por el orificio del conector y luego vuelva a conectar los hilos del cordón al conector. Consulte las marcas de los códigos de color.

- Rellene el motor con aceite dieléctrico limpio (Repuesto No. U197-8A). Para permitir espacio para expansiones, el nivel del aceite con el motor frío debe ser 1/4" (6 mm) más o menos por encima de la parte superior de la unidad del motor.

Conexiones del capacitor (monofásico solamente)



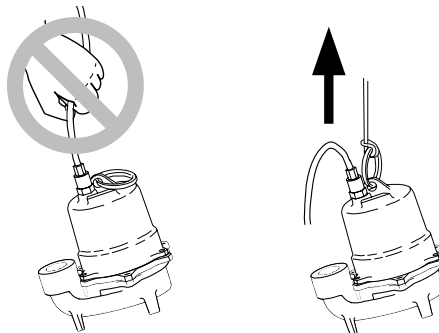
Para las conexiones de los cables trifásicos, consulte la tabla de Diagramas de Conexión de Cableado Trifásico en la página 8.

⚠ ADVERTENCIA



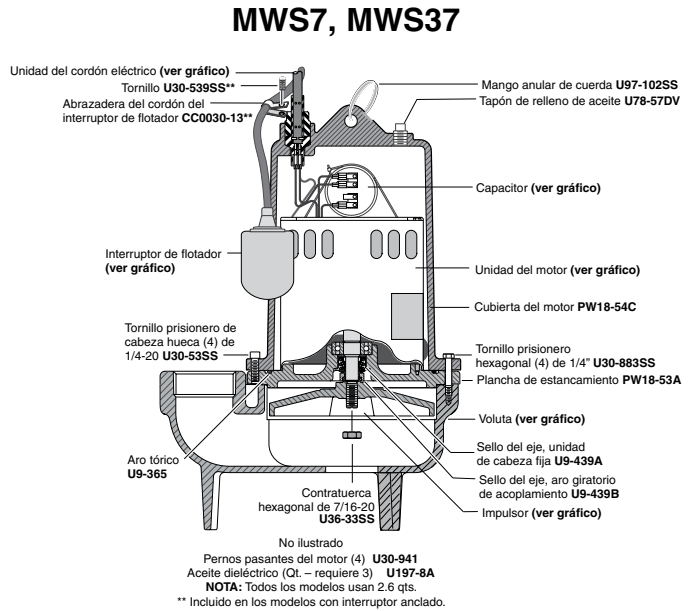
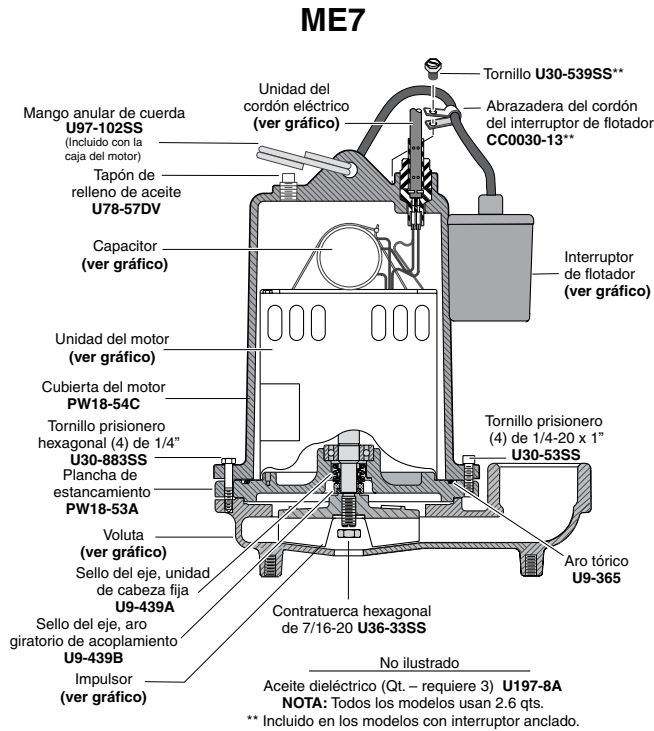
Riesgo de choque eléctrico. Puede quemar o matar. No levante la bomba por medio del cordón de corriente.

ADVERTENCIA SOBRE LA UTILIZACIÓN DEL CORDÓN PARA LEVANTAR



- Si se trata de levantar o sostener la bomba por medio del cordón de corriente, se puede dañar el cordón y sus conexiones.
- El cordón se puede dividir, dejando expuestos los hilos desnudos y la posibilidad de incendios o choques eléctricos.
- Si la bomba se levanta o se sostiene por medio del cordón de corriente, la garantía quedará inválida.
- Use el aro o mango de sujeción en la parte superior de la bomba para levantarla o bajarla. Desconecte la corriente a la bomba antes de realizar trabajos en la bomba o de tratar de sacarla del sumidero.

PIEZAS DE REPUESTO – SERIES MWS7 y ME7



1306 1094 EC7-SP

1306 1094 EC7-SP

PIEZAS DE REPUESTO – SERIES ME7, MWS, MWS3

Modelo	Capacitor *	Unidad del motor	Voluta	Impulsor	Conmutador de flotación	Cordón de corriente
ME750120M	U18-1592	PW218-62	PW1-8F	PW5-9	–	PW117-231-TSE
ME750120T	U18-1592	PW218-62	PW1-8F	PW5-9	PW217-111B	PW117-231-TSE
MWS750120T	U18-1590	PW218-67	PW1-14	PW5-3	PW217-107B	PW117-231-TSE
MWS75120T	U18-1590	PW218-136	PW1-14	PW5-4	PW217-111B	PW117-231-TSE
MWS3750120T	U18-1590	PW218-67	PW1-3A	PW5-3	PW217-107B	PW117-231-TSE
MWS375120T	U18-1590	PW218-136	PW1-3A	PW5-4	PW217-111B	PW117-231-TSE
MWS3775220T	U18-1588	PW218-71	PW1-14	PW5-4	PW217-112B	PW117-232-TSE

* monofásico solamente

Se necesita un Tablero de control para todos los modelos trifásicos.

Los modelos con descarga de 2" (5.08 cm) y descarga de 3" (7.62 cm) usan las mismas piezas de repuesto.

Cambio del impulsor, de la junta y del capacitor – Series MWS9

⚠ ADVERTENCIA Riesgo de choque eléctrico. Desconecte la corriente eléctrica antes de realizar servicios de reparaciones en la bomba.

Consulte los dibujos de ensamblaje en la página 9.

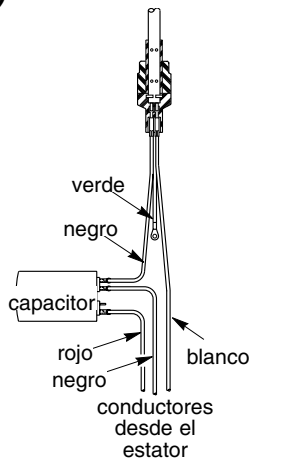
Desensamblaje

1. Saque los pernos de cabeza hexagonal que sostienen la caja del motor a la voluta. Saque la caja del motor y colóquela a un costado en un lugar limpio.
2. Sostenga el impulsor, saque el tornillo prisionero del impulsor y la arandela o contratuerca.
3. Deslice el impulsor fuera del eje para limpiarlo. Si es necesario, golpetee el impulsor para aflojarlo.
4. Coloque la unidad del motor para que quede en posición vertical con el eje del motor extendiéndose fuera del fondo.

⚠ ADVERTENCIA Riesgo de choque eléctrico. Antes de tocar el capacitor, descárguelo, uniéndolo en corto circuito con un destornillador de mango color ámbar.

5. Suelte los tornillos de cabeza hexagonal que sostienen la cubierta del capacitor y saque la cubierta. Desconecte los cables del juego del cordón (los cables y el conector están codificados a color para poder volver a instalarlos correctamente). Invierta la bomba para drenar el aceite.
6. Si va a cambiar el capacitor (monofásico solamente), saque los cables del capacitor y luego saque el capacitor.
7. Deslice un pequeño destornillador hacia abajo al lado del eje y empuje la junta de labio hacia afuera. Tire la junta de labio a la basura después de sacarla. Asegúrese de no rayar el eje.
8. Saque el aro de retención y la arandela del eje del motor y deslice la mitad giratoria de la junta fuera del eje.
9. Saque la cubierta del motor de la placa de estancamiento. Saque los pernos pasantes de la unidad del motor. Saque el motor y el eje de la placa de estancamiento.
10. Trabajando desde la parte posterior de la placa de estancamiento, golpetee la cabeza de la junta primaria para sacarla de la placa de estancamiento; limpie bien la cavidad de asentamiento.

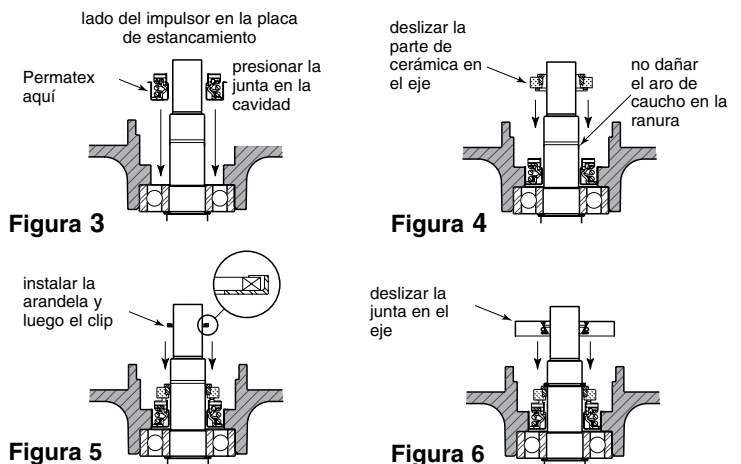
Conexiones del capacitor (monofásico solamente)



Re-ensamblaje

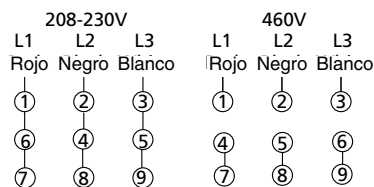
AVISO: Asegúrese de que las superficies de la junta de estancamiento estén limpias y sin averías.

1. Aplique Permatex #2 o un producto equivalente con moderación en el exterior de la cabeza de la junta primaria. Presione la nueva cabeza de la junta primaria en la cavidad de la placa de estancamiento (Consulte la Figura 3).
2. Coloque la placa de estancamiento en el soporte y vuelva a instalar el motor.
AVISO: No apriete demasiado los pernos pasantes.
3. Inspeccione cuidadosamente el aro tórico de la placa de estancamiento. Cámbielo si está averiado. Coloque el aro tórico en la ranura de la placa de estancamiento, instale el motor sobre la placa de estancamiento con los tornillos de cabeza hueca.
AVISO: Se recomienda cambiar el aro tórico cada vez que se realicen reparaciones en la bomba.
4. Invierta la unidad y deslice el nuevo elemento giratorio de la junta en el eje. Aplique jabón en el aro de caucho para ayudar a deslizar la junta sobre el eje.
AVISO: Es importante eliminar las rebabas de la ranura del aro de presión antes de instalar la junta. No dañe la superficie de cerámica ni el aro de caucho cuando pase la junta por encima del hombro del eje y del hombro de la ranura del aro de presión. Las superficies de la junta y del aro deben estar limpias y sin averías o es posible que haya fugas desde la junta (Consulte la Figura 4).
5. Vuelva a instalar la arandela y el aro de presión en el eje. Consulte la Figura 5.
6. Instale la nueva junta de labio (figura 6). Lubrique la junta de labio con una pequeña cantidad de Aqualube o una grasa a base de litio.
7. Vuelva a armar el impulsor, el tornillo prisionero del impulsor o la contratuerca y arandela.
8. Vuelva a instalar el capacitor (monofásico solamente). Consulte a continuación las conexiones eléctricas del capacitor.
9. Rellene el motor con aceite dieléctrico limpio (Repuesto No. U197-8A). Para permitir espacio para expansiones, el nivel del aceite con el motor frío debe ser 1/4" (6 - 7 mm) más o menos por encima de la parte superior de la unidad del motor.
10. Inspeccione el aro tórico de la cubierta del capacitor; cámbielo si está averiado. Si no tiene muescas ni arañazos, límpielo y vuelva a instalar.
AVISO: Se recomienda cambiar el aro tórico cada vez que se realicen reparaciones en la bomba.
11. Vuelva a conectar los cables conductores del motor al conector. Consulte las marcas con códigos de colores y los diagramas para las Conexiones de los Cables que aparecen a continuación. Vuelva a instalar la cubierta del capacitor.

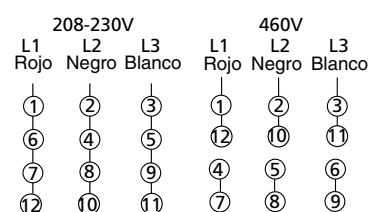


Diagramas de Conexión de Cableado Trifásico

Conductores del estator: 9 hilos

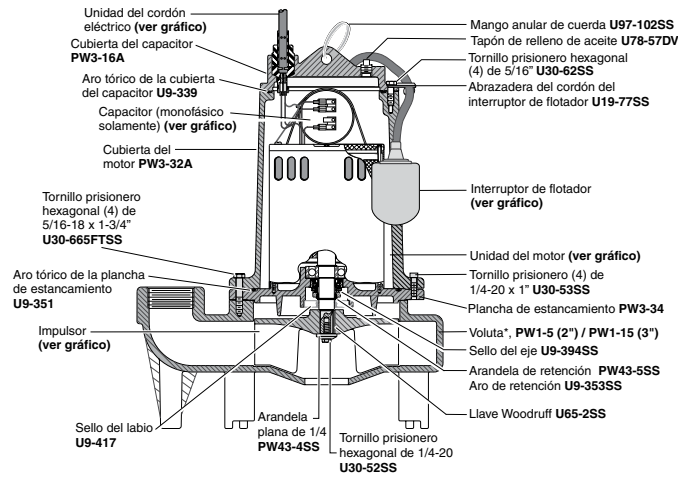


Conductores del estator: 12 hilos



PIEZAS DE REPUESTO – SERIES MWS y MWS3

MWS y MWS3



No ilustrado
 Aceite dieléctrico (Qt. – requiere 3) U197-8A
 NOTA: Todos los modelos usan 2.6 qts.

1307B 0497 SC9-SP

Modelo	Capacitor*	Unidad del motor	Impulsor	Conmutador de flotación	Cordón de corriente
MWS39100220M	U18-1589	PW118-81	PW5-7B	–	PW117-232-TSE
MWS9100220T, MWS39100220T	U18-1589	PW118-81	PW5-7B	PW217-224	PW117-232-TSE
MWS39100520M	–	PW118-120	PW5-7B	–	PW117-235-TSE
MWS9150220M, MWS39150220M	U18-1590	PW118-83	PW5-7A	–	PW117-232-TSE
MWS9150420M	–	PW118-87	PW5-7A	–	PW117-235-TSE
MWS39150520M	–	PW118-120	PW5-7A	–	PW117-235-TSE
MWS9200220M, MWS39200220M	U18-1592	PW118-83	PW5-7	–	PW117-232-TSE
MWS39200320M	–	PW118-87	PW5-7	–	PW117-235-TSE
MWS9200420M	–	PW118-87	PW5-7	–	PW117-235-TSE
MWS39200320M	–	PW218-120	PW5-7	–	PW117-235-TSE

* Los modelos de la Serie MWS usan Volutas con No. de repuesto PW1-5. * Los modelos de la Serie MWS3 usan Volutas con No. de repuesto PW1-15. * Los modelos de la Serie No.

** Los modelos de las Series MWS usan placas de estancamiento con No. de repuesto PW3-34.

**** Los números de modelo que terminan en "T" incluyen un Conmutador de Flotación, modelo número PW217-224. El Conmutador de Flotación PW217-224 se enciende a 22" (56 cm) y se apaga a 13" (33 cm).

PROBLEMAS – SOLUCIONES

▲ ADVERTENCIA Arranques repentinos. Si la corriente a la bomba está activada cuando se reposicione la sobrecarga térmica, es posible que la bomba arranque sin advertencia alguna.

Si está trabajando en la bomba, existe el peligro de choques eléctricos o de que el impulsor atrape sus dedos o sus herramientas. Desconecte la corriente antes de realizar reparaciones en la bomba.

<p>A. La bomba no funciona:</p>	<ol style="list-style-type: none"> 1. Verifique que el cordón de corriente esté bien enchufado en la toma de corriente o cableado en forma segura al controlador o a la caja de conmutación. Desconecte la corriente hacia la toma de corriente antes de manipular la bomba o el motor. 2. Verifique que haya corriente eléctrica. 3. Verifique que el nivel del fluido líquido sea suficiente para activar el conmutador o el controlador. 4. Verifique que haya un orificio de ventilación de 3/16" (5 mm) en la tubería de descarga y que no esté tapado. 5. Verifique que no hayan bloqueos en la admisión de la bomba, en el impulsor, en la válvula de retención o en la tubería de descarga. 6. Es posible que la sobrecarga térmica se haya disparado. Haga una prueba para arrancar la bomba. Si arranca y luego se detiene inmediatamente, desconéctela de la fuente de energía por 30 minutos para permitir que el motor se enfríe, y luego vuelva a conectarla a la fuente de corriente. Verifique la causa del recalentamiento/la sobrecarga.
<p>B. La bomba no logra vaciar el sumidero:</p>	<ol style="list-style-type: none"> 1. Asegúrese de que todas las válvulas en la válvula de descarga estén totalmente abiertas. 2. Limpie la tubería de descarga y la válvula de retención. 3. Verifique que no hayan bloqueos en la admisión de la bomba o en el impulsor. 4. El tamaño de la bomba no es adecuado. Es posible que se requiera una bomba de mayor capacidad.
<p>C. La bomba no se apaga:</p>	<ol style="list-style-type: none"> 1. Verifique que los flotadores del conmutador o del controlador automático estén funcionando y se encuentren ubicados correctamente. Consulte las instrucciones de la instalación del conmutador/controlador. 2. Si la bomba no funciona de ninguna manera o continúa funcionando mal, consulte a su técnico de reparaciones local.

Garantía Limitada

Myers le garantiza al consumidor inicial ("Comprador" o "Usted") de los productos indicados a continuación, que éstos estarán libres de defectos en materiales y en mano de obra durante el Período de Garantía especificado a continuación.

Producto	Período de garantía lo que ocurra primero:
Bombas de chorro, pequeñas bombas centrífugas, bombas sumergibles y accesorios asociados	12 meses desde la fecha de la instalación inicial, o 18 meses desde la fecha de fabricación
Tanques de devanado de fibra	5 años desde la fecha de la instalación inicial
Tanques a presión de acero	5 años desde la fecha de la instalación inicial
Productos para sumideros/aguas residuales/efluente	12 meses desde la fecha de la instalación inicial, o 36 meses desde la fecha de fabricación
Unidades de batería de refuerzo MBSP-2, MBSP-2C MBSP-3, MBSP-3C	12 meses desde la fecha de la instalación inicial, o 18 meses desde la fecha de fabricación 24 meses desde la fecha de la instalación inicial, o 30 meses desde la fecha de fabricación
Bombas procesadoras de sólidos de aguas residuales	12 meses desde la fecha de envío de la fábrica, o 18 meses desde la fecha de fabricación

Nuestra garantía se aplica solamente en los casos en que tales productos se utilicen conforme a los requerimientos del catálogo del producto y/o de los manuales correspondientes. Por información adicional, se deberá consultar la garantía limitada estándar correspondiente que aparece en el manual del producto.

Nuestra garantía no se aplicará a ningún producto que, a nuestro solo juicio, haya sido sometido a negligencia, mal uso, instalación o mantenimiento inadecuados. Sin perjuicio a lo que antecede, nuestra garantía quedará anulada en el caso en que un motor trifásico se haya usado con una fuente de alimentación monofásica, a través de un convertidor de fase. Es importante indicar que la garantía quedará anulada si los motores trifásicos no están protegidos por relés de sobrecarga de disparo extra-rápido, con compensación ambiental de tres etapas, del tamaño recomendado.

Su único recurso, y la única obligación de MYERS es la de reparar o reemplazar los productos defectuosos (a juicio de MYERS). Usted deberá pagar todos los cargos de mano de obra y de envío asociados a esta garantía y deberá solicitar el servicio bajo garantía a través del concesionario instalador tan pronto como se descubra un problema. No se aceptará ninguna solicitud de servicio bajo garantía que se reciba después del vencimiento del Período de Garantía. Esta garantía no es transferible.

MYERS NO SE HARÁ RESPONSABLE DE NINGÚN DAÑO CONSECUENTE, INCIDENTAL O CONTINGENTE.

LAS GARANTÍAS LIMITADAS QUE ANTECEDEN SON EXCLUSIVAS Y EN LUGAR DE TODA OTRA GARANTÍA EXPLÍCITA O IMPLÍCITA, INCLUYENDO, PERO SIN LIMITARSE, A LAS GARANTÍAS IMPLÍCITAS DE COMERCIABILIDAD E IDONEIDAD PARA UN FIN ESPECÍFICO, LAS GARANTÍAS LIMITADAS QUE ANTECEDEN NO SE EXTENDERÁN MÁS ALLÁ DEL PERÍODO DE GARANTÍA INDICADO EN LA PRESENTE.

Ciertos estados no permiten la exclusión o limitación de daños incidentales o consecuentes o la aplicación de limitaciones en la duración de garantías implícitas, de modo que es posible que las limitaciones o exclusiones que preceden no correspondan en su caso. Esta garantía le otorga derechos legales específicos, y es posible que Usted tenga otros derechos que pueden variar de un estado al otro.

Esta Garantía Limitada entra en vigor a partir del 1 de abril de 2014 y reemplaza toda otra garantía sin fecha o con fecha anterior al 1 de abril de 2014.

F.E. MYERS

293 Wright St., Delavan, WI 53115 Teléfono: 888-987-8677 – Fax: 800-426-9446 – www.femyers.com
En Canadá: 490 Pinebush Road, Unit 4, Cambridge, Ontario N1T 0A5 Teléfono: 800-387-4386 – Fax: 888-606-5484

