



# HYDROMATIC® Q-ALERT ALARM LIQUID LEVEL ALARM SYSTEMS

Versatile, Indoor or Outdoor

# Q-ALERT ALARM LIQUID LEVEL ALARM SYSTEMS

Versatile, Indoor Or Outdoor

**Q-ALERT – indoor alarm system**

**Q-ALERT XT – outdoor alarm system**



**Indoor Model: Q-Alert**



**Indoor/Outdoor Model: Q-Alert XT**

## Applications

These quality alarm systems are designed to provide a dependable high or low liquid level warning device for residential and commercial applications. The Q-ALERT XT alarm can serve as a high or low level alarm depending on the float switch model used. A potentially threatening liquid level condition is announced by an alarm horn and a red beacon which can be seen from all directions. Common applications include lift pump chambers, sump pump basins, holding tank sewage systems, and irrigation systems.

## Features

- Automatic alarm reset
- Alarm silence switch
- Alarm test switch
- Alarm system (when installed on separate circuit) operates even if pump circuit fails
- Complete package includes standard Sensor Float® control switch with 15 feet (4.6 meters) of cable and pipe clamp for mounting and 6 foot (1.8 meter) power cord
- UL Listed
- CSA Certified
- Two-year limited warranty

## Options

This alarm is available:

- With auxiliary dry contacts for easy attachment of remote devices
- Premounted terminal block so enclosure can also be used as a junction box for splicing pump, pump switch, and power

# Q-ALERT ALARM

## Installation Instructions

### **WARNING**



To avoid serious or fatal electrical shock, turn off power source before installing or adjusting this device.

A qualified service person must install this product according to national and local electrical codes. Do not install in hazardous locations as defined by the National Electrical Code, ANSI/ NFPA 70.

### Installing the Float Switch

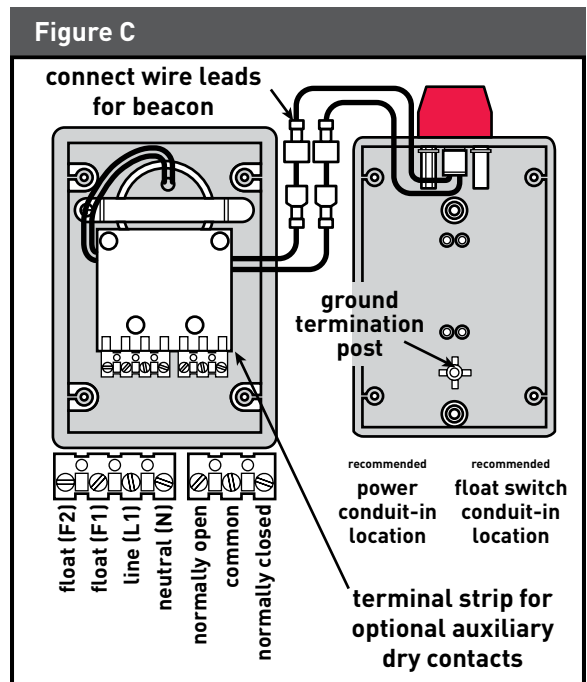
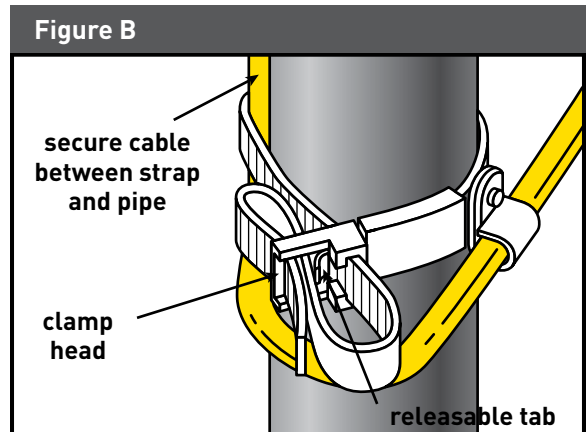
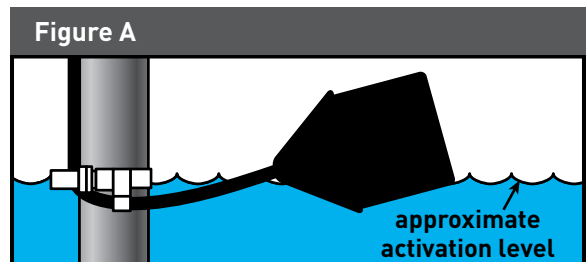
- 1 Determine desired activation level (see Figure A). To adjust activation level, move pipe clamp up or down on discharge pipe.
- 2 Tighten pipe clamp around the discharge pipe at desired activation level. Keep switch cable between strap and pipe to help prevent slippage (see Figure B).
- 3 To lock releasable tab, run remaining strap between releasable tab and head. Pull tightly.
- 4 To eliminate obstruction to switch, tuck strap back through clamp head (see Figure B).

### Installing The Alarm

- 1 Mount alarm box using existing holes in back of box. To ensure water-tight seal, use screws and sealing washers included with alarm.
- 2 Determine "conduit-in" locations on alarm (see Figure C). Note: When used with a pump application, connect alarm to circuit breaker separate from pump circuit. This allows alarm to continue to operate if pump circuit should fail.
- 3 Drill holes for conduit entry, taking care not to damage bosses inside the alarm box.
- 4 Attach conduit.

If alarm includes remounted terminal block option, refer now to the Terminal Block Option Installation Instructions.

- 5 Bring float switch cable through conduit and wire to terminal strip positions F1 and F2 on alarm cover (see Figure C).
- 6 Wire "power-in" conductors to terminal strip positions L1 (line) and N (neutral) and ground wire to ground termination post (see Figure C). Note: If terminal block option is used, attach ground wire to left terminal 4 as shown in Figure A of Terminal Block Option Installation Instructions.
- 7 If remote device is used, connect to terminal strip for optional auxiliary dry contacts as shown in Figure C.
- 8 Connect wire leads from circuit board to beacon as shown in Figure C.
- 9 Attach alarm box cover using the four preinstalled screws.
- 10 Turn on power.
- 11 Check installation by manually tipping float switch. The alarm horn and beacon should indicate an alarm condition.
- 12 Push silence switch to test silence feature.
- 13 Test unit periodically to ensure proper operation.

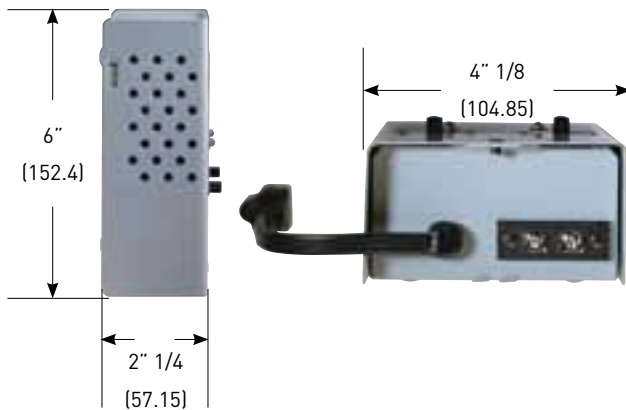


# Q-ALERT ALARM

## Specifications

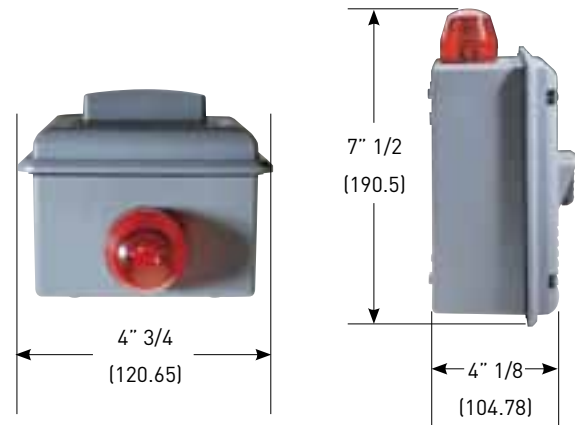
<b>Voltage</b>	120 VAC, 50/60 Hz, 7 watts max. (alarm condition)
<b>Enclosure</b>	6.5 inch x 4.5 inch x 3.0 inch (16.51 cm x 11.43 cm x 7.62 cm), indoor and outdoor, weatherproof thermoplastic.
<b>Auxiliary Alarm Contacts</b>	(optional): 5 amps, 120 VAC, 50/60 Hz
<b>Alarm Horn</b>	82 decibels at 10 feet (3 meters)
<b>Alarm Float</b>	Sensor Float® control switch with pipe clamp
<b>Cable</b>	15 feet (4.57 meters) of flexible 16 gauge, 2 conductor SJOW-A (UL), SJOW (CSA), water-resistant, neoprene (CPE)
<b>Housing</b>	3.38 inch diameter x 4.55 inch long (8.58 cm x 11.56 cm), impact resistant, noncorrosive, PVC plastic for use in liquids up to 140°F (60°C)
<b>Switch</b>	Reliable float switch rated for minimum 250,000 cycles

## Dimension Data - Q-Alert



All dimensions in inches. Metric for international use. Component dimensions may vary  $\pm 1/8$  inch. Dimensional data not for construction purpose unless certified. Dimensions and weights are approximate. On/Off level adjustable. We reserve the right to make revisions to our product and their specifications without (2 instances) notice.

## Dimension Data - Q-Alert Xt



All dimensions in inches. Metric for international use. Component dimensions may vary  $\pm 1/8$  inch. Dimensional data not for construction purpose unless certified. Dimensions and weights are approximate. On/Off level adjustable. We reserve the right to make revisions to our product and their specifications without (2 instances) notice.



USA  
293 WRIGHT STREET, DELAVAN, WI 53115 WWW.HYDROMATIC.COM  
PH: 888-957-8677 ORDERS FAX: 800-426-9446

CANADA  
269 TRILLIUM DRIVE, KITCHENER, ONTARIO, CANADA N2G 4W5  
PH: 519-896-2163 ORDERS FAX: 519-896-6337

Because we are continuously improving our products and services, Pentair reserves the right to change specifications without prior notice.