

MYERS®

V² GRINDER SERIES

SINGLE STAGE CENTRIFUGAL GRINDER

- Simplicity of Parts and Service

STANDARD FLOW AND HIGH HEAD DESIGNS

- Standard Design – 138 ft. at shut off
and up to 34 GPM
- High Head Design – 180 ft. at shut off
and up to 20 GPM

ADVANCED CUTTING TECHNOLOGY

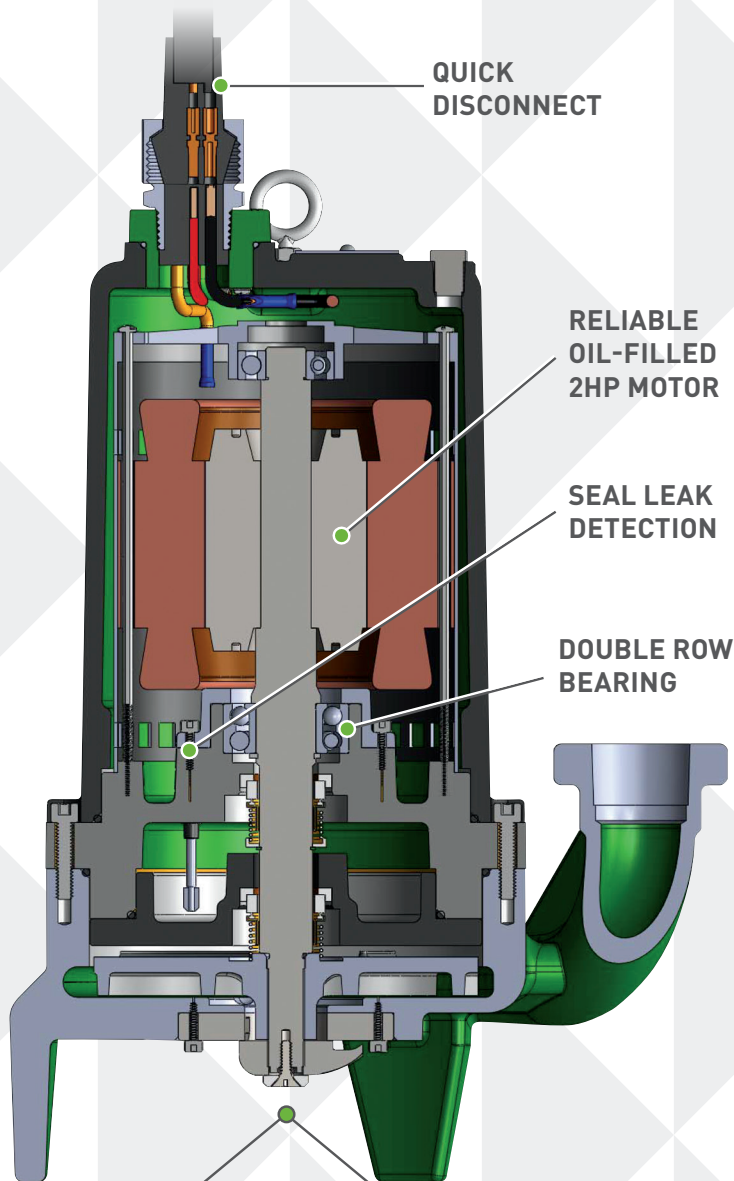
- Next Generation Grinder Design
- Enhanced Cutters for Today's
Challenging Wastewater
Environment

Every Job is Unique.

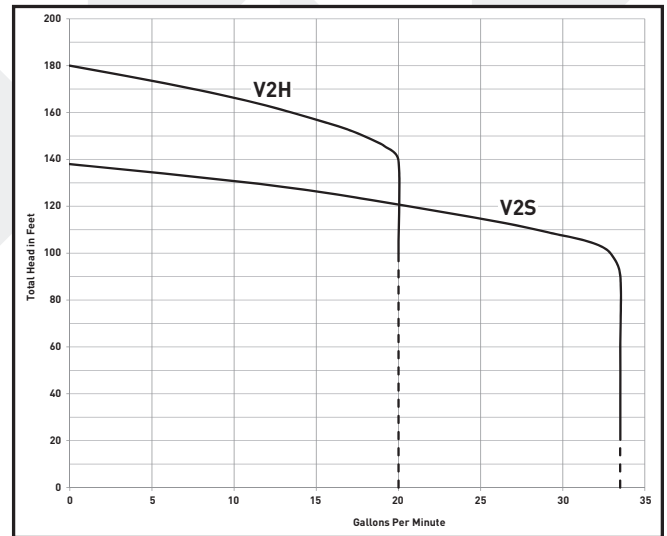
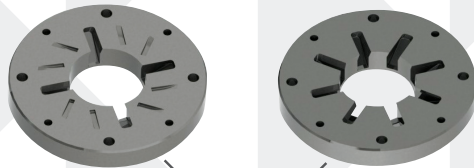
The Myers Family of Grinders Offers
Inspired Solutions for a Changing World.



MYERS® V² GRINDER SERIES



HIGH HEAD CUTTING PLATE **STANDARD CUTTING PLATE**



FEATURES & BENEFITS

INTERCHANGEABLE FLOW DESIGNS

- Easily switch between standard and high head flows by simply changing the impeller and cutter plate

OPTIONAL QUICK DISCONNECT CORD

- Field serviceable
- Specifiable

DOUBLE ROW BEARING

- Increased durability
- Absorbs both axial and radial loads

SEAL LEAK DETECTION

- True early warning system
- Located in the seal chamber

INNOVATIVE CUTTING TECHNOLOGY

- Inlet slots designed on the cutting plate to reduce solids to a fine slurry
- Improved torque efficiency
- New blade geometry creates incremental cutting action, providing string guard protection



1101 MYERS PARKWAY, ASHLAND, OH 44805 WWW.FEMYERS.COM
PH: 419-289-1144 FAX: 419-281-9980

Because we are continuously improving our products and services, Pentair reserves the right to change specifications without prior notice.

K4693 11/05/14 © 2014 Pentair Ltd. All Rights Reserved.

