



MYERS[®]
MODELS 8SM AND 8SMX
8" SUBMERSIBLE SOLIDS HANDLING
WASTEWATER PUMPS

STANDARD (8SM) AND HAZARDOUS LOCATION (8SMX) CONSTRUCTION



MYERS® MODELS 8SM AND 8SMX

8" Submersible Solids Handling Wastewater Pumps

The Myers 8SM Submersible Solids Handling Sewage Pumps are Designed Especially for High Flow Applications such as:

Large municipal lift stations, treatment plants, transfer stations and dewatering. A quick removal type rail system is available to simplify installation and maintenance. The 8SM's ability to handle solids up to 3 inches in diameter make it ideal for most high flow wastewater applications. For more information, contact your Myers distributor or the Myers sales office at 419-289-1144.



Product Capabilities

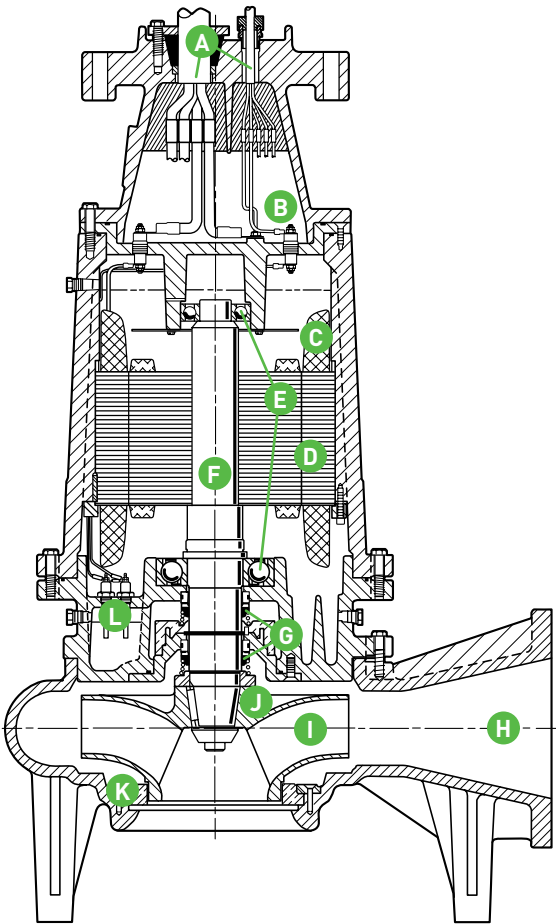
Capacities To	2320 gpm	8800 lpm
Heads To	260 ft.	79 m
Solids Handling	3 in.	76 mm
Liquids Handling	raw unscreened sewage, drain water, effluent	
Intermittent Liquid Temp.	up to 140°F	up to 60°C
Winding Insulation Temp. (Class H)	356°F	180°C
Available Motors	1750 RPM 75, 100, 125 HP 460 & 575 volts 3 phase, 60 Hz	
Std. Third Party Approvals	CSA	
Optional Approvals	FM Class 1, Groups C & D (8SMX only)	
Acceptable pH Range	6 - 9	
Specific Gravity	.9 - 1.1	
Viscosity	28 - 35 SSU	
Discharge, Horizontal	8 in.	203.2 mm

Construction Materials

Motor Housing, Seal Housing, Cord Cap and Volute Case	cast iron, Class 30, ASTM A48
Impeller	ductile iron, Class 65, ASTM A536
Power and Control Cord	S00W, W
Double Tandem Mechanical Seals	Standard - carbon & ceramic Optional - lower tungsten carbide
Pump, Motor Shaft	416 SST
Fasteners	300 series SST
Case Wear Ring	bronze

Note: Consult factory for applications outside these recommendations.

Pump Features and Applications



A. Cable Entry System

Cable jackets sealed with clamped, rubber grommet. Individual wires sealed with epoxy to prevent wicking in case of cable damage.

B. Terminal Board

Provides easy connections from power and control cables to stator. Allows voltage change in field on dual winding motors.

C. Heat Sensor on Motor Winding

Opens to de-energize motor starter if winding temperature reaches 150°C. Automatic reset.

D. Motor Stator

Oil-filled for continuous lubrication of bearings and seals. Class H insulation.

E. Ball Bearings

Upper and lower ball bearings.

F. Heavy 416 SST Shaft

Reduces deflection from impeller radial loads. Tapered and keyed to accept impeller.

G. Double Tandem Shaft Seals

Protect motor, operate in clean oil.

H. Horizontal Discharge Volute Case

8" 125 lb. flange.

I. High Efficiency Impeller

Two-vane, rounded port, solids handling design. Passes 3" spherical solids

J. Pump-out Vanes

Help keep trash from seal, reduces pressure at seal faces.

K. Bronze Wearing Ring

Reduces bypass leakage and wear. Replaceable to restore original running clearances and pump efficiencies.

L. Dual Seal Leak Probes

Detect water in seal housing. Activates warning light in control panel.

High Efficiency Hydraulic Design Cuts Pumping Costs and Extends the Life of the Pump.

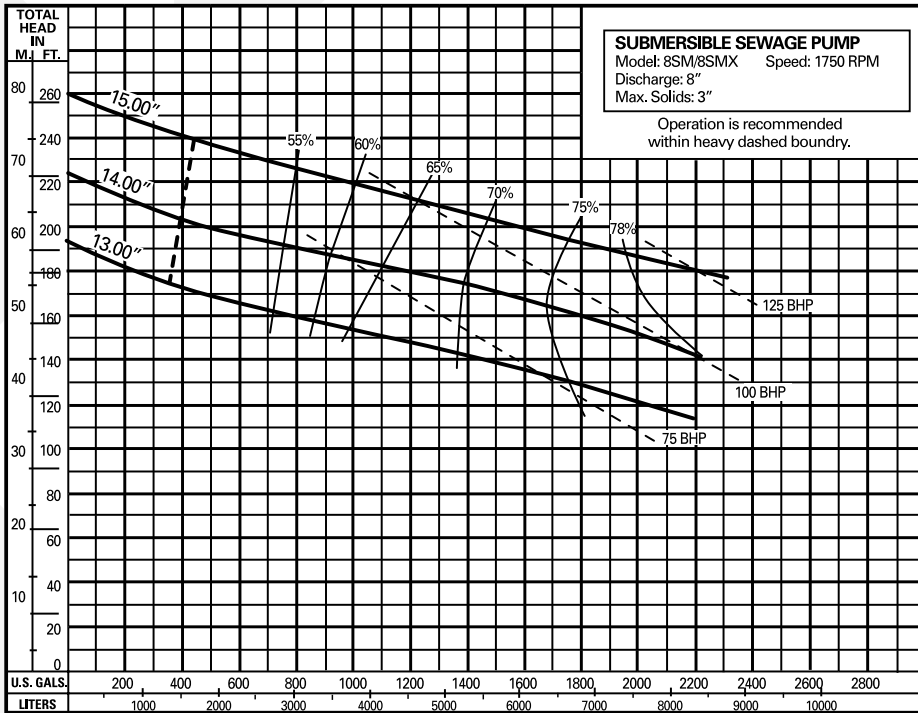
- Two-vane, rounded port impeller handles 3" solids with ease at high operating efficiencies.
- Produces high heads and flows.

Durable Motor Will Deliver Many Years of Reliable Service.

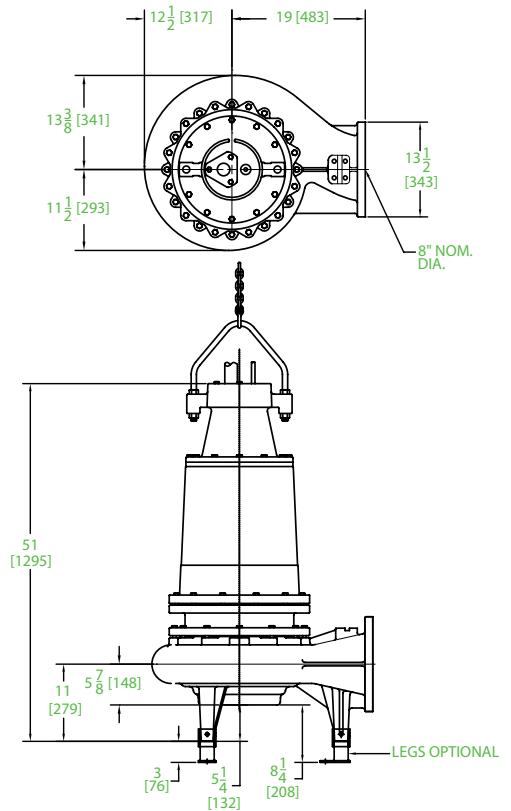
- Class H insulation.
- Continuous duty/VFD rated.
- Oil-filled motor for maximum heat dissipation and constant bearing lubrication.
- Internal thermal overload protection.
- Double tandem shaft seals prevent sewage from entering motor.
- Internal seal leak probes warn of moisture entry.
- Triple sealed power and control cables.

Performance Data and Dimensions

1750 RPM



[Dimensions in mm]



Available Models		Motor Electrical Data												
Standard	Hazardous Location	HP	Volts	Phase	Hertz	Start Amps	Run Amps	Service Factor Amps	Run kW	Service Factor kW	Start KVA	Run KVA	NEC Code Letter	Service Factor
8SM750M4-43	8SMX750M4-43	75	460	3	60	540	101.8	122.2	64.2	77.0	430	81.0	G	1.2
8SM750M4-53	8SMX750M4-53	75	575	3	60	432	81.4	97.8	64.2	77.0	430	81.0	G	1.2
8SM1000M4-43	8SMX1000M4-43	100	460	3	60	725	129.0	155.0	85.7	103.0	578	103.0	G	1.2
8SM1000M4-53	8SMX1000M4-53	100	575	3	60	580	103.2	124.0	85.7	103.0	578	103.0	G	1.2
8SM1250M4-43	8SMX1250M4-43	125	460	3	60	725	165.0	175.0	108.0	115.0	578	131.0	G	1.1
8SM1250M4-53	8SMX1250M4-53	125	575	3	60	580	132.0	140.0	108.0	115.0	578	131.0	G	1.1

Motor Efficiencies and Power Factor									
Motor Efficiency %					Power Factor %				
HP	Phase	Service Factor Load	100% Load	75% Load	50% Load	Service Factor Load	100% Load	75% Load	50% Load
75	3	87.1	87.1	87.3	83.5	79.1	79.2	79.1	79
100	3	87.0	88.0	87.0	84.0	83.4	83.4	79.2	77
125	3	86.0	86.3	88.0	87.0	82.5	82.0	80.0	78



740 EAST 9TH STREET,
 ASHLAND, OHIO 44805
 WWW.FEMYERS.COM

269 TRILLIUM DRIVE, KITCHENER,
 ONTARIO, CANADA N2G 4W5
 WWW.FEMYERS.COM

Because we are continuously improving our products and services, Pentair reserves the right to change specifications without prior notice.
 K4023 5/13/13 © 2013 Pentair Ltd. All Rights Reserved.