



HC AND HCM SERIES

CONVERTIBLE JET PUMPS

Myers' convertible jet pumps provide all the water and pressure needed for today's family living needs. High quality materials and simplified construction combine for excellent performance in shallow and deep wells. The same twin ejector is used for both types of well service.

APPLICATIONS

Water systems and sprinkling...
for homes, farms and industry

SPECIFICATIONS

Motor – 2-Compartment 115/230 Volt

Rotary Seal – Stainless Steel/Buna N

Impeller – Stainless Steel

Motor Bracket – Cast iron

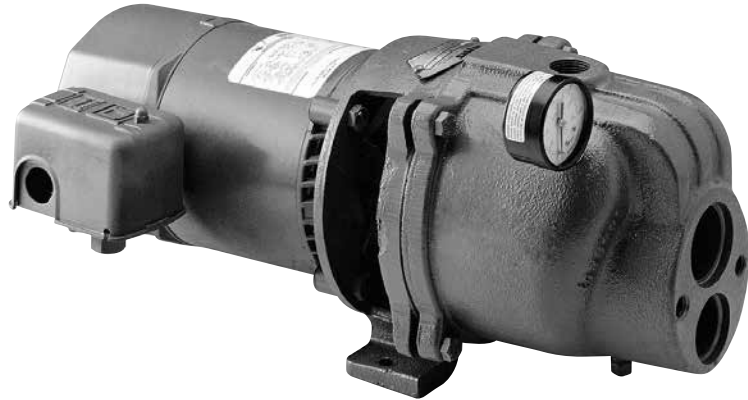
Discharge Diffuser – Cast iron

Second Stage Diffuser (HCM's) – Cast iron

Diffuser Housing – Cast iron

Motor Shaft – Stainless Steel

Pressure Switch – Square
D dual adjustment



FEATURES

Heavy Duty Cast Iron Case Construction

Primes Easily – Under maximum shallow well conditions

Stainless Steel Impeller – Balanced for smooth operation

Fast Connect Flanges – Eliminates threading and fitting at pipe end

Stream-flo Design – Provides optimum hydraulic performance

Durable Cast Iron Pressure Regulator Included

Pressure Switch and Pressure Gauge Included

ORDERING INFORMATION

Catalog Number	Discharge	Pressure Switch Setting	Packer Type Inner Pipe Size for 2" Well	Twin Type Drop Pipe Size	Foot Valve Size - Twin Type Only	Motor Capacitor Type Built-in Overload Protection	Shipping Wt. Pump Unit Only	Shipping Weight Jet Packages for		
								4" Well		2" Well
								Bronze	Cast Iron	
HC50										
HC50	3/4"	20-40	1"	1-1/4" x 1"	1-1/4"	115/230 volt	54	5	4	4
HCM										
HCM50	3/4"	30-50	1"	1-1/4" x 1"	1-1/4"	115/230 volt	57	5	4	4
HCM100	1"	40-60	1"	1-1/4" x 1-1/4"	1-1/4"	115/230 volt	78	5	4	4



HC AND HCM SERIES

CONVERTIBLE JET PUMPS

PUMP PERFORMANCE - HC50 SHALLOW WELL																	
Catalog Number	HP	Jet Package Cat. No.	5 Foot Suction Lift					15 Foot Suction Lift					20 Foot Suction Lift				
			Discharge Pressure, PSI					Discharge Pressure, PSI					Discharge Pressure, PSI				
			20	30	40	50	60	20	30	40	50	60	20	30	40	50	60
Capacity in U.S. Gallons per Minute																	
HC50	1/2	SW50	13.5	13	11.5	10	6.6	10	10	9.3	8	4.6	5.5	5.5	5.5	5	2

PUMP PERFORMANCE - HC50 DEEP WELL																	
Catalog Number	HP	Max. Amps 115/230 V	Average Regulator Setting	Jet Package Cat. No.			Vertical Distance in Feet from Pump to Low Water Level										
				Twin Type		Packer	30	40	50	60	70	80	90	100	110		
				4" Min. Well		2" Well	Capacity in U.S. Gallons per Minute										
				Cast Iron	Bronze												
HC50	1/2	10.6 / 5.3	22 PSI	DW50-I	DW-50	P50	12	11	9.8	8.3	6.5	4.5	2.3				

PUMP PERFORMANCE - HCM SHALLOW WELL																				
Catalog Number	HP	Jet Package Cat. No.	5 Foot Suction Lift						15 Foot Suction Lift						20 Foot Suction Lift					
			Discharge Pressure, PSI						Discharge Pressure, PSI						Discharge Pressure, PSI					
			30	40	50	60	70	80	30	40	50	60	70	80	30	40	50	60	70	80
Capacity in U.S. Gallons per Minute																				
HCM50	1/2	SW50	10.5	10	9.5	9	4		8	8	7.5	7	3.5		6.5	6.5	5.5	5.5	2	
HCM100	1	SW100	19	19	16.5	16	13	10	13	13	13	12	10	8	8	8	8	8	8	6.5

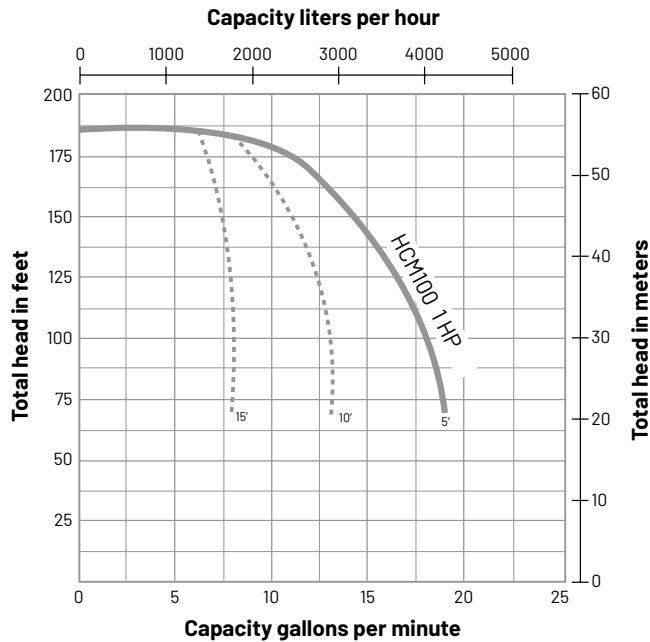
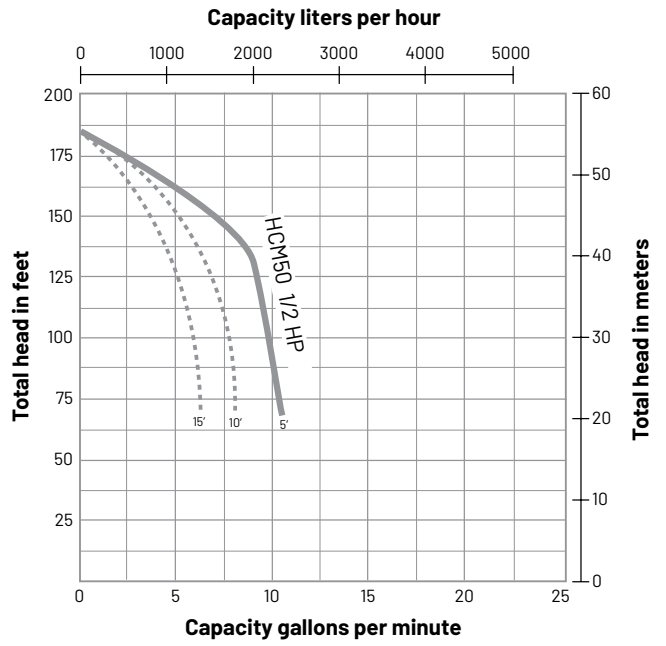
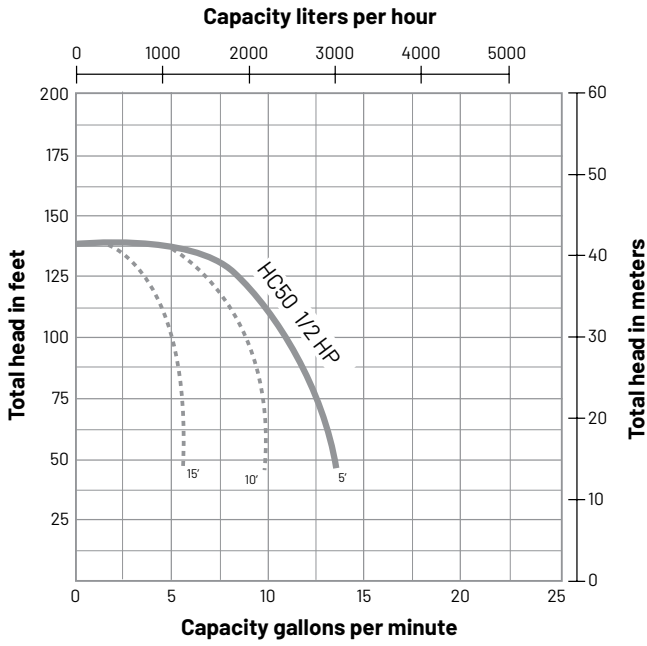
PUMP PERFORMANCE - HCM DEEP WELL																			
Catalog Number	HP	Max. Amps 115/230 V	Average Regulator Setting	Jet Package Cat. No.			Vertical Distance in Feet from Pump to Low Water Level												
				Twin Type		Packer	30	40	50	60	70	80	90	100	110	120	130	140	150
				4" Min. Well		2" Well	Capacity in U.S. Gallons per Minute												
				Cast Iron	Bronze														
HCM50	1/2	10.6 / 5.3	22 PSI	DW50-I	DW50	P50	11.5	9.5	8	6.5	6.5	4	3	2	1				
HCM100	1	17.0 / 8.5	34 PSI	DW100-I	DW100	P100	15	13.3	12	10.6	9.3	8	6.6	5.3	4	2.6	2		



HC AND HCM SERIES

CONVERTIBLE JET PUMPS

PUMP PERFORMANCE





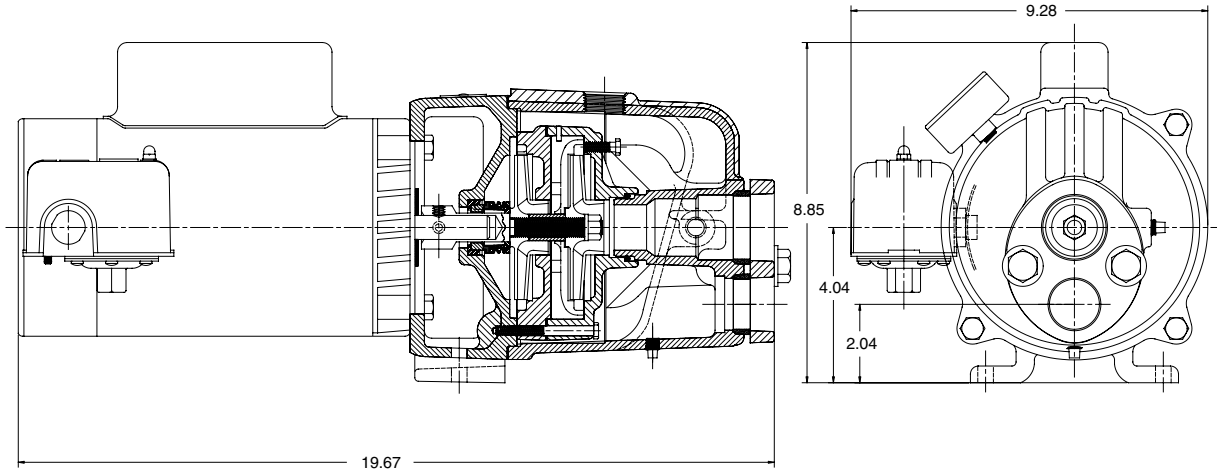
PENTAIR MYERS

HC AND HCM SERIES

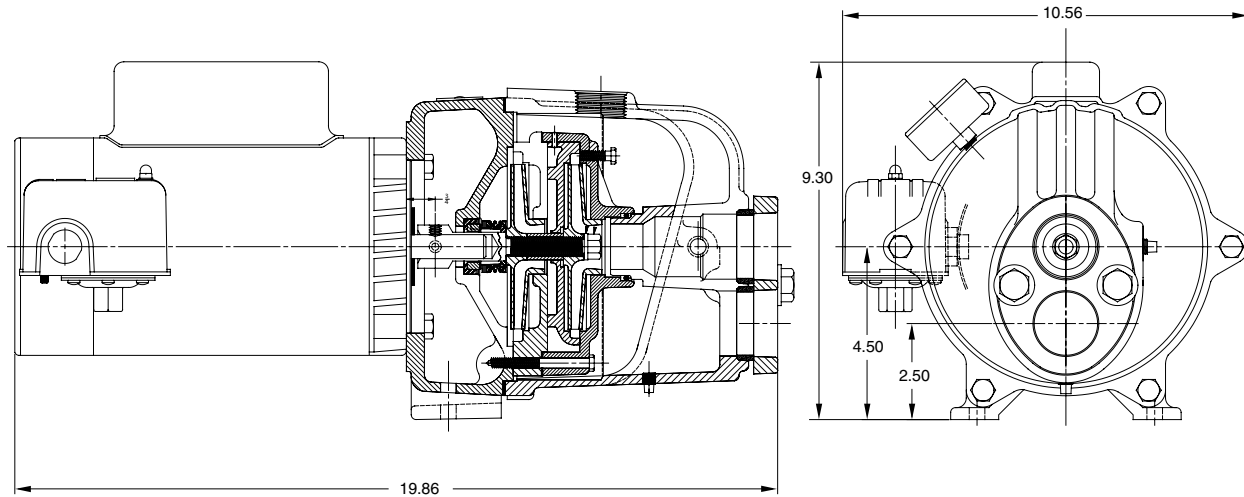
CONVERTIBLE JET PUMPS

OUTLINE DIMENSIONS

HC50 AND HCM50



HCM100 AND HCM150



Dimensions (in inches) are for estimating purposes only.

293 Wright Street
Delavan, WI 53115
USA
Ph: 888-987-8677
Orders Fax: 800-426-9446

490 Pinebush Road
Unit 4
Cambridge, Ontario N1T 0A5
Canada
Ph: 800-363-7867
Orders Fax: 888-606-5484

www.femyers.com

Because we are continuously improving our products and services, Pentair reserves the right to change specifications without prior notice.

M9131WS (07/18/18) © 2018 Pentair plc. All Rights Reserved.