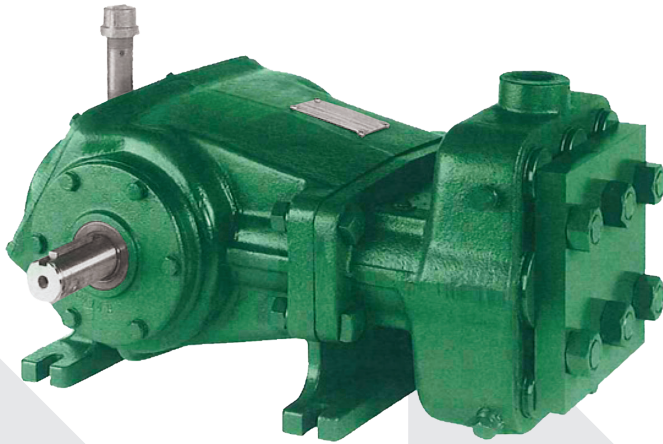


MYERS® C40-20 HIGH PRESSURE RECIPROCATING PISTON PUMP



Over a century of experience has proven that the Pentair's Myers line of reciprocating pumps are designed and built with performance you can rely on. Our C40 high pressure reciprocating pump combines manufacturing expertise and application understanding for a pump that is perfect for a variety of high pressure jobs. For details, contact your Pentair sales representative, or customer service at 419-289-1144.

ADVANTAGES BY DESIGN

HANDLES WIDE RANGE OF DEMANDING INDUSTRIAL APPLICATIONS.

- High-strength fluid end and spring-loaded flat valves for high pressure pumping (up to 2,000 psi) of large water volumes.
- Pumps liquids to 160°F in mine, mill, food processing, car wash, sewer cleaner and other applications.

HORSEPOWER REQUIREMENTS

Flow Cap. GPM	RPM	Horsepower Required For:								
		600 PSI	800 PSI	1000 PSI	1200 PSI	1400 PSI	1600 PSI	1800 PSI	2000 PSI	
20.3	300	8.4	11.1	13.9	16.7	19.5	22.3	25.1	27.9	
25.4	375	10.5	14	17.4	20.9	24.4	27.9	31.4	34.9	
32.2	475	13.3	17.7	22.1	26.6	30.9	35.4	39.8	44.2	
39.0	575	16.1	21.4	26.8	32.2	37.5	42.8	48.3	53.5	

KILOWATT REQUIREMENTS

Flow Capacity LPM	RPM	Kilowatts Required For:								
		41 BAR	55 BAR	69 BAR	83 BAR	96 BAR	110 BAR	124 BAR	138 BAR	
76.8	300	6.3	8.3	10.4	12.6	14.5	16.6	18.9	20.8	
96.1	375	7.8	10.4	13.0	15.6	18.2	20.8	23.4	26.0	
121.9	475	9.9	13.2	16.5	19.8	23.0	26.4	29.7	33.0	
147.6	575	12.0	16.0	20.0	24.0	28.0	32.0	36.0	40.0	

Note: Above bold line is continuous duty. Below bold line is intermittent.

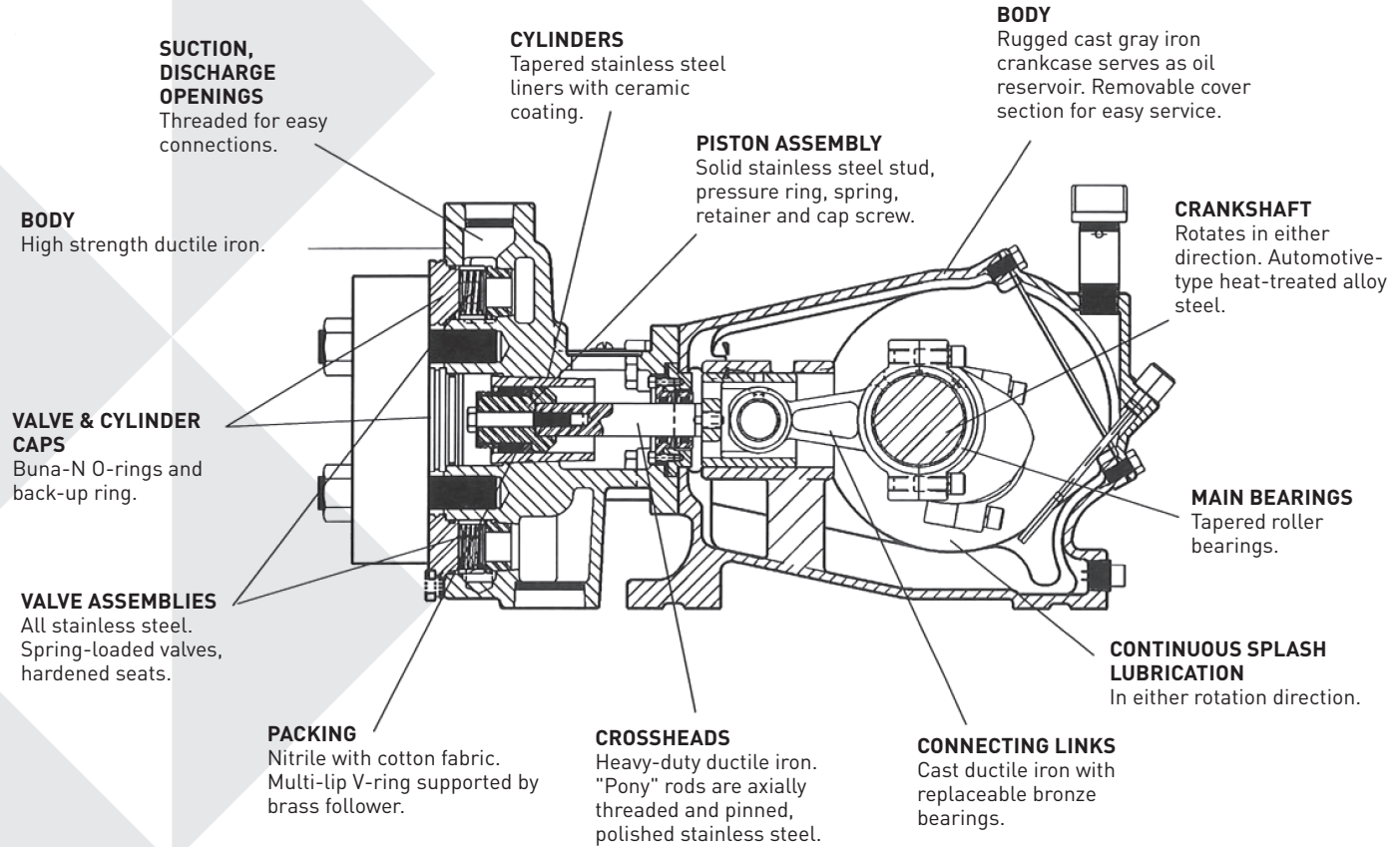
- Horsepower required is based upon 85% overall efficiency.
- Formula: (1) HP required = $\frac{\text{GPM} \times \text{PSI}}{1457}$ or $\text{KW} = \frac{\text{LPM} \times \text{BAR}}{511}$ (electric brake)
 (2) Expected GPM = $\frac{\text{Rated GPM} \times \text{Working RPM}}{\text{Rated RPM}}$
 Expected LPM = $\frac{\text{Rated LPM} \times \text{Working RPM}}{\text{Rated RPM}}$
 Motor shieve = $\frac{\text{Pump shieve} \times \text{Pump RPM}}{\text{O.D. size} \times \text{Motor RPM}}$

NOTE: Horsepower requirements for an internal combustion engine (gas or diesel) may be obtained by multiplying the figures listed by 1.3. Do not exceed 80% of the manufacturer's advertised horsepower at operating RPM.

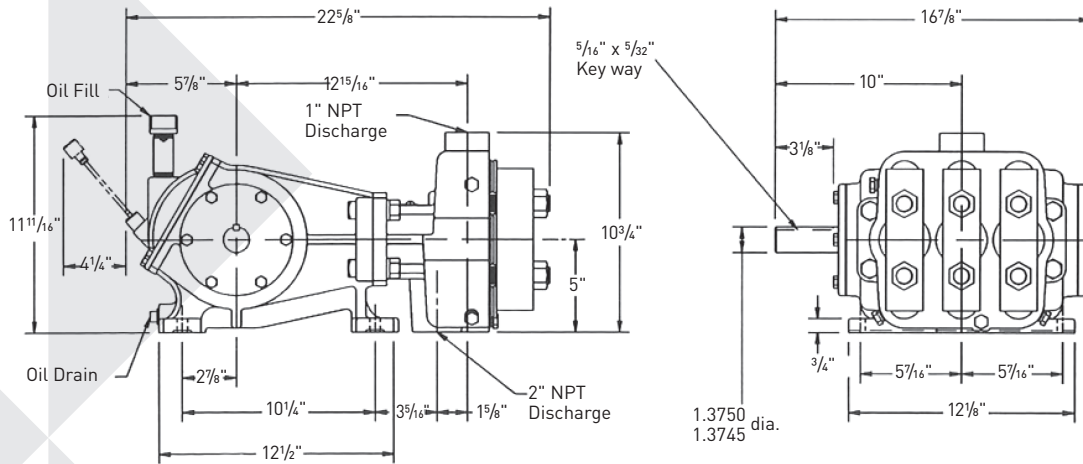
Catalog Number	Max. Rated Capacity GPM (LPM)	Max. Rated Pressure PSI (Bar)	Temp. Rating °F (°C)	Size in inches (mm)							Approx. Wgt. Lbs. (kg)
				Cylinder Bore	Piston Stroke	Displacement Gallons Per Revolution*	Suction Size NPT	Discharge Size NPT	Input Shaft	Keyway	
C40-20 Triplex	40 (193.04)	2000 (138)	160 (71)	2 (50.80)	1 3/4 (44.45)	.0714	2 (50.80)	1	1 3/8 (34.93)	5/16 x 5/32 (7.94 x 3.97)	230 (104.2)

*Displacement based on 100% volumetric efficiency.

FLUID END



DIMENSIONS



740 EAST 9TH STREET,
ASHLAND, OHIO 44805
WWW.FEMYERS.COM

490 PINEBUSH ROAD, UNIT 4
CAMBRIDGE, ONTARIO N1T 0A5
WWW.FEMYERS.COM

Because we are continuously improving our products and services, Pentair reserves the right to change specifications without prior notice.
K4159 05/28/15 © 2015 Pentair Ltd. All Rights Reserved.