



24" X 24" SEWAGE BASIN PACKAGES

# TOUGHNESS AND DURABILITY

Where You Need It The Most



- ◆ **PRE-ASSEMBLED FROM FACTORY**  
For quick and easy installation
- ◆ **CAST IRON SEWAGE AND GRINDER PUMPS**  
For high performance
- ◆ **UP TO 82% THICKER\***  
For superior durability
- ◆ **SPECIALLY DESIGNED BOTTOM GROOVES**  
For easy leveling in rough soil
- ◆ **MOLDED TORQUE STOPS**  
Keep pump in place

\*Compared to previous models and industry leaders' published data.

**OUTLAST. OUTPERFORM. OUTSMART**

**pentair.com**

# MYERS® 24" X 24" SEWAGE BASIN PACKAGES

The 24" x 24" Sewage Basin is designed to be installed in a basement floor to collect sewage or effluent water from toilet, washer, dishwasher or a sink so that it can be pumped away with a sump pump or sewage pump.

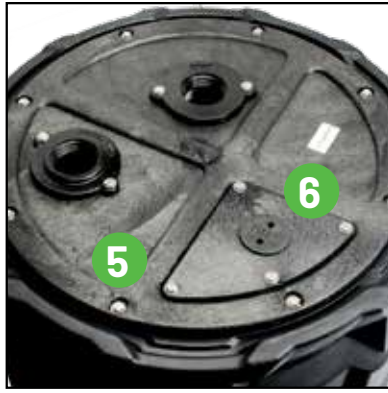
- 1 38.5 Gallon capacity for longer pump cycles prolonging the pump life
- 2 Pre-installed schedule 80 PVC pipe
- 3 Robust polyethylene structure up to 82% thicker than competitive designs for superior durability\*
- 4 5 Additional flats for adding or changing inlet pipe location

## Add Piece of Mind to the Pre-Plumbed Basin with Optional Alarm Level

- Quick connect terminal block
- Corrosion resistant construction
- Indoor, NEMA 1 enclosure
- Audible and visual alarm



\*Compared to previous models and industry leaders' published data.



- 5 Corrosion resistant stainless steel bolts for a tight connection
- 6 Easy access holes for quick inspection



- 7 Molded torque stops maintain pump placement for maintenance free operation



- 8 Specially designed pads and grooves on the bottom for easy leveling in rough soil



- 9 True round inlet with no pattern shift or parting line down the center to prevent leaks

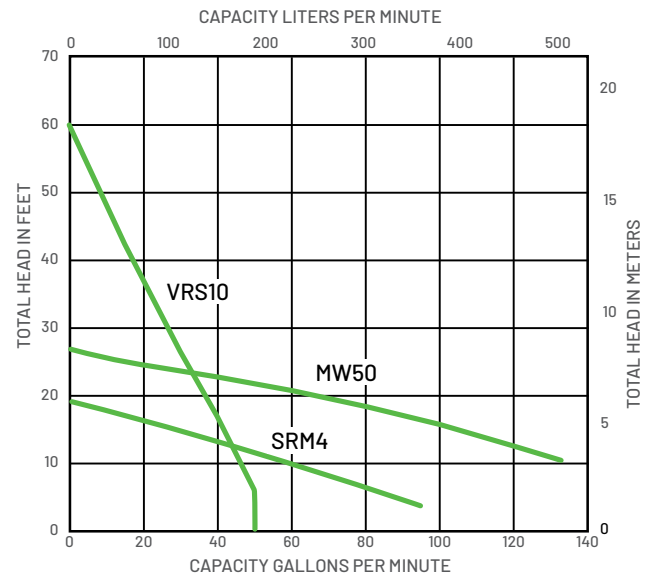
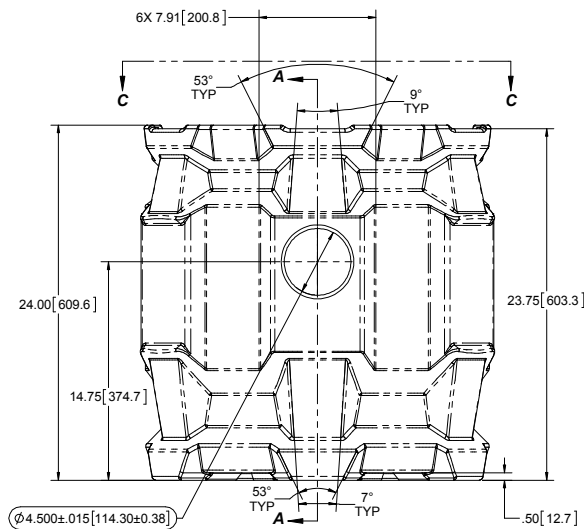
SB24VRS10 shown with tethered float switch and optional SA-1 alarm

# MYERS® 24" X 24" SEWAGE BASIN PACKAGES



## ORDERING INFORMATION

Series	SB24SRM		SB24MW50		SB24VRS10	
HP	4/10		1/2		1	
Maximum Pump Capacity	95 GPM	359 LPM	135 GPM	511 LPM	49 GPM	185 LPM
Maximum Shut-off Head	19'	5.8 m	27'	8.2 m	61'	18.6 m
Discharge	2"	50.8 mm	2"	50.8 mm	2"	50.8 mm
Solids Handling	2"	50.8 mm	2"	50.8 mm	-	
Volts	115		115		115	
Full Load Amps	12.0		9.0		13.0	
Phase	Single		Single		Single	
Cord Length	20'	6.1 m	20'	6.1 m	20'	6.1 m
Switch Options	PRE-T		PRE-T		PRE-T	
Pump Impeller Material	Recessed Thermoplastic		Thermoplastic		Thermoplastic	
Pump Housing Material	Cast Iron		Cast Iron		Cast Iron	
Pump Volute Material	Cast Iron		Cast Iron		Cast Iron	
Basin Material	Polyethylene		Polyethylene		Polyethylene	
Basin Dimensions (W x H)	24" x 24"	609 mm x 609 mm	24" x 24"	609 mm x 609 mm	24" x 24"	609 mm x 609 mm
Basin Capacity	38.5 Gallons	145.7 Liters	38.5 Gallons	145.7 Liters	38.5 Gallons	145.7 Liters
Lid Material	Polyethylene		Polyethylene		Polyethylene	
Warranty Years	3		3		3 - with start-up report	



293 Wright Street  
 Delavan, WI 53115  
 USA  
 Ph: 888.987.8677  
 Orders Fax: 800.426.9446

490 Pinebush Road  
 Unit 4  
 Cambridge, Ontario N1T 0A5  
 Canada  
 Ph: 800.363.7867  
 Orders Fax: 888.606.5484

pentair.com

All Pentair trademarks and logos are owned by Pentair. All other brands or product names are trademarks or registered marks of their respective owners. Because we are continuously improving our products and services, Pentair reserves the right to change specifications without prior notice. Pentair is an equal opportunity employer.

M12023SSE (02/05/19) ©2019 Pentair plc. All Rights Reserved.