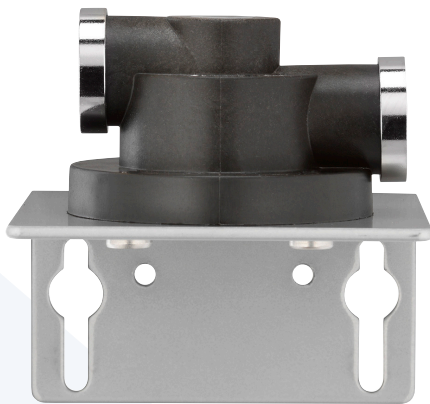


QL1 SINGLE HEAD

FOR USE WITH EVERPURE® REPLACEMENT CARTRIDGES

System Part Number: EV9256-18



FEATURES • BENEFITS

- ◆ Commercial-grade filter head for Everpure filter cartridges
- ◆ Features mounting bracket and 3/8" NPT fittings
- ◆ Low profile is ideal for locations where mounting space is at a premium
- ◆ Engineered for durability, strength and longevity
- ◆ Corrosion resistant hardware
- ◆ Does not include water shut-off
- ◆ All wetted parts have successfully passed NSF® extraction tests as part of listed systems

APPLICATIONS

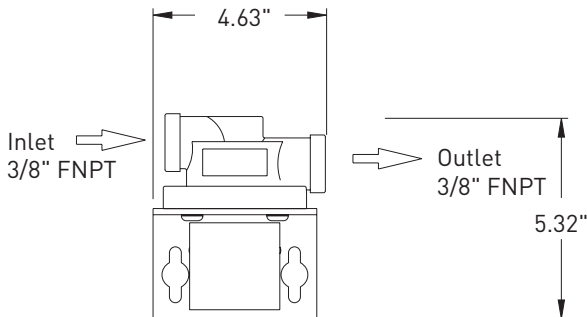
- ◆ Foodservice
- ◆ Vending machines
- ◆ Office coffee services

INSTALLATION TIPS

- ◆ Choose mounting location suitable to support the weight of the system while operating.
- ◆ Install vertically and allow 2 1/2" (6.35 cm) clearance below the cartridge for easy cartridge replacement.
- ◆ Flush filter by running water through the system for five (5) minutes.
- ◆ Replace cartridges annually, or when capacity is reached or flow slows down.

QL1 SINGLE HEAD

EV9256-18



Specifications

Overall Dimensions

5.32" H x 4.63" W x 4" D
(13.5 cm x 11.8 cm x 10.2 cm)

Connections

Inlet: 3/8" FNPT John Guest®
Outlet: 3/8" FNPT John Guest®

Rated Capacity

Varies according to filter
cartridge used

Electrical Connection

None required

For Pentair Everpure Product Warranties visit:
<http://pentair.com/assets/foodservice-warranty>

The contaminants or other substances removed or reduced by this drinking water system are not necessarily in your water. Do not use with water that is microbiologically unsafe or of unknown quality without adequate disinfection before or after the system.

Since the conditions under which our products may be used are beyond our control, we cannot accept any liability with respect to the improper installation, application and/or use of our products.



United States | 1040 Muirfield Drive | Hanover Park, IL 60133 | 800.942.1153 (US Only) 630.307.3000 Main | cseverpure@pentair.com | foodservice.pentair.com
Australia | 1-21 Monash Drive | Dandenong South, Vic 3175 | Australia | 011.1300 576 190 Tel | au.everpure@pentair.com
China | 21F Cloud 9 Plaza, NO 1118 | Shanghai, 200052 | China | 86.21.3211.4588 Tel | china.water@pentair.com
India | Boulevard, B-9/A, 7th Floor - Tower B Sector 62 | Noida - 201301 | 91.120.419.9444 Tel | indiacustomer@pentair.com
Europe | Pentair Water Belgium BV | Industriepark Wolfstee, Toekomstlaan 30, B-2200 Herentals | Belgium | +32.(0).14.283.504 Tel | sales@everpure-europe.com
Japan | Japan Inc. | Hashimoto MN Bldg. 7F, | 3-25-1 Hashimoto, Midori-ku, Sagamihara-shi | Kanagawa 252-0143 | Japan | 81.(0)42.775.3011 Tel | info@everpure.co.jp
Southeast Asia | 390 Havelock Road, | #04-01 King's Centre | Singapore 169662 | 65.6768.5800 Tel | cseverpure@pentair.com

All indicated Pentair trademarks and logos are property of Pentair. Third party registered and unregistered trademarks and logos are the property of their respective owners.

©2022 Pentair. All Rights Reserved.

EV9256-18 N022