

# CHLORPLUS PROTECT<sup>®</sup> 10

## PFAS FILTRATION SYSTEM



### FEATURES • BENEFITS

- ◆ System is certified by IAPMO R&T to reduce up to 99.6% of Total PFAS\*\*
- ◆ Professional-grade PFAS reduction system for point of use, undersink applications
- ◆ Also features premium sediment and chlorine reduction
- ◆ Integrated pressure relief valve for easier cartridge change-outs
- ◆ Complete system with cartridge, wrench, mounting bracket kit and manual

### INSTALLATION TIPS

- ◆ Choose a mounting location suitable to support the full weight of the system when operating.
- ◆ Make sure to properly lubricate O-ring prior to use.
- ◆ Install vertically with bowl hanging down.
- ◆ Allow 1-1/2" (3.81 cm) clearance below the cartridge for easy cartridge replacement.

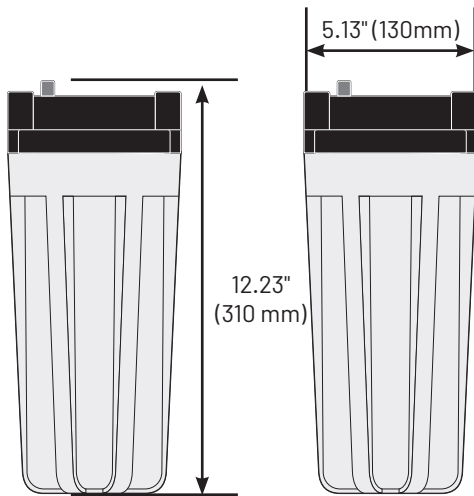
### OPERATION TIPS

- ◆ Replace cartridge if flow rate decreases.
- ◆ Do not exceed service flow rate.
- ◆ Inspect O-ring during each cartridge change. Lubricate and/or replace if necessary.

### INCLUDES

- ◆ Side faucet
- ◆ Installation kit
- ◆ Installation and operation manual

# CHLORPLUS PROTECT 10 PFAS FILTRATION SYSTEM



## SPECIFICATIONS

- ◆ **System** (Model/Part No.)  
CHLORPLUS PROTECT 10  
PFAS FILTRATION SYSTEM  
ChlorPlus Protect 10/150742 (1/Case)
- ◆ **Housing Size**  
10" Heavy duty
- ◆ **Inlet Size**  
3/4" FPT
- ◆ **Housing Material**  
Polypropylene
- ◆ **System Dimensions**  
5.13" H x 12.23" W  
(130mm x 310 mm)
- ◆ **Cartridge Type**  
Carbon Block
- ◆ **Contaminant Reduction**  
Total PFAS\*\* : Certified by IAPMO  
R&T against NSF/ANSI 53
- ◆ **Micron Rating**  
1
- ◆ **Approximate Filter Life\***  
4 - 5 months
- ◆ **Capacity**  
1,000 gallons (3,785 L)
- ◆ **Flow Rate**  
1 gpm (3.785 Lpm)
- ◆ **Certification**  
NSF/ANSI Std. 53
- ◆ **Feed Pressure Range**  
0-125 psi (2.1-8.6 bar)
- ◆ **Temperature Range**  
40° - 100°F (4.4 - 37.8°C)
- ◆ **Replacement Cartridge**  
(Model/Part No.)  
ChlorPlus Protect 10 / 655226-43  
(12/Case)

\* Filter life dependent on gallon usage and overall incoming water quality.



The ChlorPlus Protect 10 system is certified by IAPMO R&T against NSF/ANSI 53 for the reduction Total PFAS.\*\*

\*\*The test mixture for total PFAS is made up of PFOA (500 ppt), PFOS (1,000 ppt), PFHxS (300 ppt), PFNA (50 ppt), PFHpA (40 ppt), PFBS (260 ppt), and PFDA (10 ppt). This system meets the 20 ppt requirement for Total PFAS.



Pentair Residential Filtration, LLC

13845 Bishops Dr. | Suite 200 | Brookfield, WI 53005 | United States

P: 262.238.4400 | Customer Service: 800.279.9404 | [tech-support@pentair.com](mailto:tech-support@pentair.com) | [pentair.com](http://pentair.com)

All indicated Pentair trademarks and logos are property of Pentair. Third party registered and unregistered trademarks and logos are the property of their respective owners.

©2024 Pentair. All Rights Reserved.

4006941 0C24