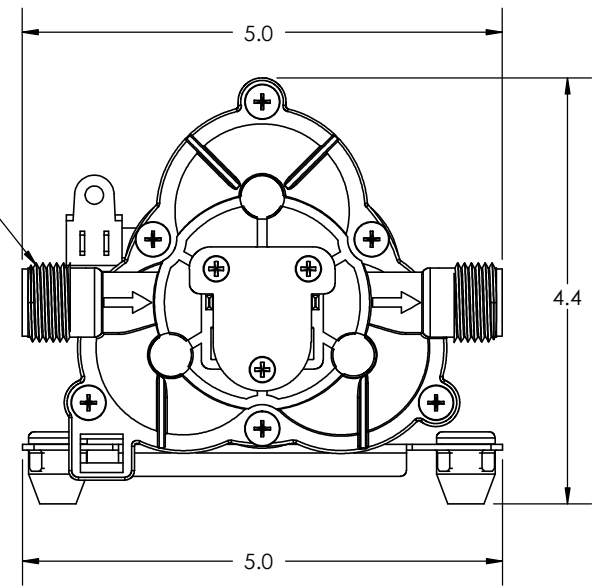


2 X 1/2-14
NPSM Ports



Installation Drawing 50C