

Pump Seal Plate Alignment Tool Instructions For EQ Series® Pumps

The following instructions describe how to use the EQ Series® pump seal plate alignment tool.

Step 1: Disassemble the pump: For complete pump removal instructions, please refer to the EQ Series® Pump Installation and User's Guide (P/N 350061).

Step 2: Install the Motor Adapter:

1. Slide the motor adapter into place over the motor shaft with the ribs facing away from the motor (Figure 1).

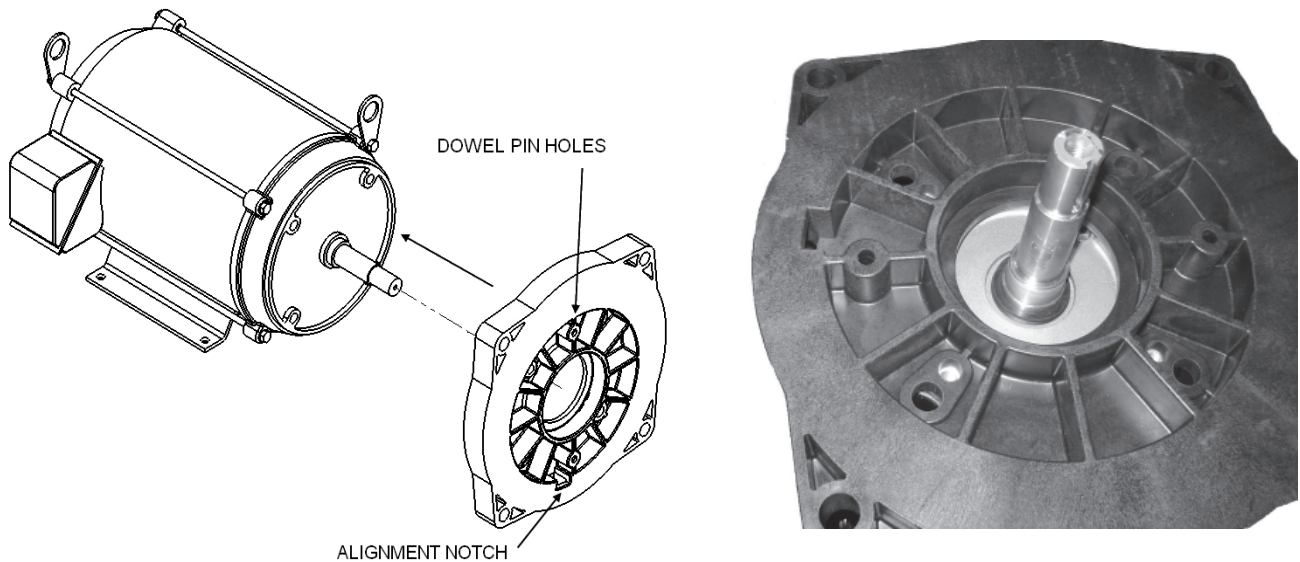


Figure 1

2. Place the alignment tool over the motor shaft (Figure 2).

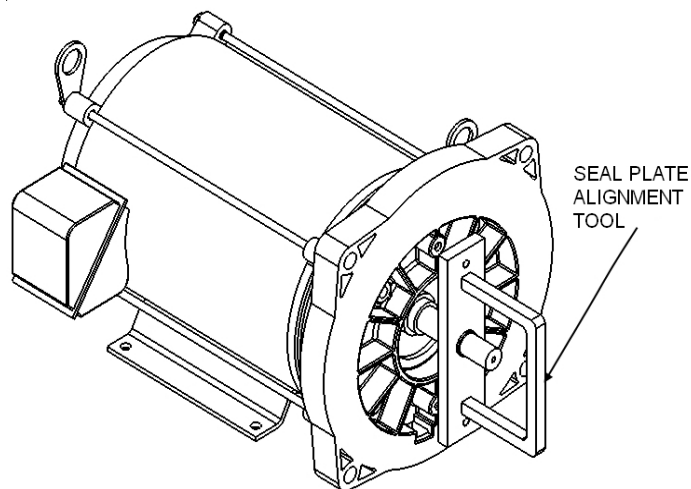


Figure 2

Continue on back page

3. Insert the dowel pins on the alignment tool into the dowel pin holes on the motor adapter (Figure 3).

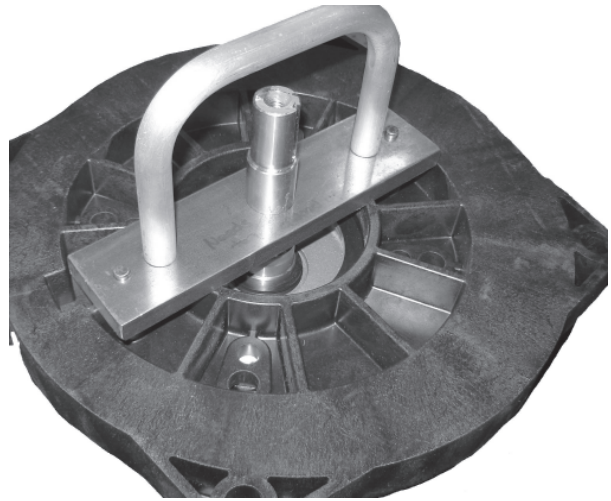
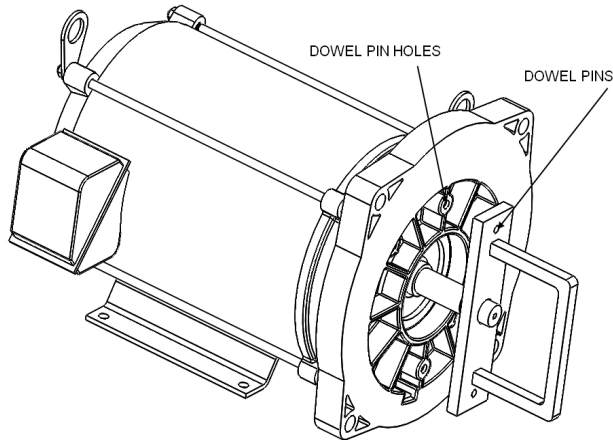


Figure 3

4. Ensure that dowels are vertically oriented and the alignment notch is on the bottom (Figure 1).

5. Secure the motor adapter to the motor using the four screws (10) and washers (8)(9) (See Replacement Parts page of the EQ Series® pump Installation and User's Guide).

Step 3: Reassemble the pump: Assemble the pump as described in the EQ Series® Pump Installation and User's Guide (P/N 350061).