

E-RING Removal and Installation (For ProVac® II Pool Cleaner)

The following instructions are to remove and install the ProVac® II wheel stem e-ring, located on top of the vacuum body. Remove and install the e-ring when assembling the ProVac II wheels for the 360° swivel/pivot or locked/straight-rolling function. Note: Be sure not to loosen the polymer swivel washer inserted in between the wheel swivel bracket and the vacuum body. For more information, refer to the ProVac II Installation and User's Guide (P/N 210242)

E-Ring Removal

1. PLACE A SMALL FLAT HEAD SCREW DRIVER VERTICALLY BETWEEN THE E-RING AND THE WHEEL STEM (AS SHOWN IN FIGURE A).
2. ROTATE THE SCREW DRIVER TO REMOVE E-RING (AS SHOWN IN FIGURE A).

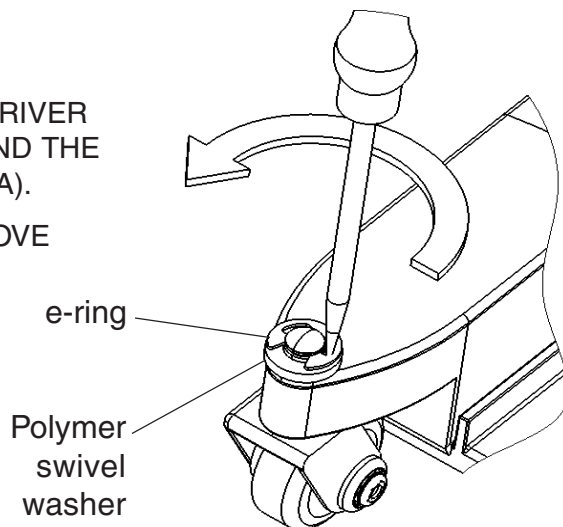


FIGURE A

E-Ring Installation

- ALIGN THE E-RING WITH THE GROOVE ON THE WHEEL STEM. USING A PAIR OF PLIERS, CAREFULLY PLACE ONE END OF THE PLIERS ON THE OUTSIDE CENTER EDGE OF THE E-RING (AS SHOWN FIGURE B). BE SURE NOT TO USE EXCESSIVE FORCE ON THE WHEEL STEM WHILE INSTALLING THE E-RING.

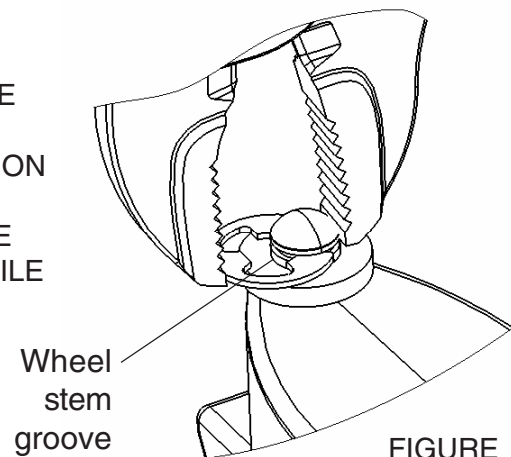


FIGURE B

Technical Support: Phone: (800) 831-7133

www.pentairpool.com - www.staritepool.com

© 2011 Pentair Water Pool and Spa, Inc. All rights reserved

1620 Hawkins Ave., Sanford, NC 27330 (919) 566-8000 -10951 West Los Angeles Ave., Moorpark, CA 93021 (805) 553-5000



ProVac®, Rainbow™ and Pentair Water Pool and Spa® are trademarks and/or registered trademarks of Pentair Water Pool and Spa, Inc. Unless noted, names and brands of others that may be used in this document are not used to indicate an affiliation or endorsement between the proprietors of these names and brands and Pentair Water Pool and Spa, Inc. Those names and brands may be the trademarks or registered trademarks of those parties or others.

P/N 210262 - Rev A - 02/21/11