



MAINTENANCE & SAFETY EQUIPMENT



BRUSHES AND SCRUBBERS

POOL, SPA, DECK AND TILE BRUSHES

Featured Highlights

Curved Brushes

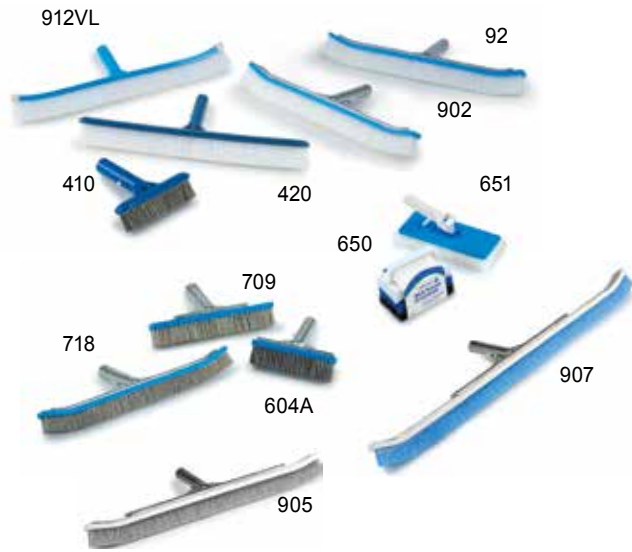
- UV stabilized polypropylene or nylon bristles.
- Snap-adapt handle fits most poles
- Aluminum Back Brushes with strong die cast aluminum back
- Molded Brushes with heavy-duty one piece molded construction
- Model 907 has a 50/50 blend of stainless and nylon bristles. Recommended for new pool start-up brushing or mild algae cleaning.

Stainless Steel Algae Brushes

- All algae brushes feature quality stainless steel bristles
- Perfect for removing tough algae on plaster surfaces
- Snap-adapt handle fits most poles

Scrubbers

- 650 Scrubber has a molded hand grip and includes 3 interchangeable pads
- 651 Universal Scrubber features an ABS back with a swivel joint handle and a light duty replaceable pad



Pool, Spa, Deck and Tile Brushes

CALIFORNIA PROPOSITION 65 WARNING

⚠ **WARNING:** Cancer and Reproductive Harm.
 ⚠ **AVERTISSEMENT:** Peut Causer le Cancer et des Dommages au Système Reproducteur.
 ⚠ **ADVERTENCIA:** Cáncer y Daño Reproductivo.
www.p65warnings.ca.gov

Ordering Information

Product	Model	Description	Carton Qty.	Carton Wt. (Lbs.)
CURVED BRUSHES				
R111046	92	18 in. Aluminum Back White nylon	12	13
R111316	902	18 in. Aluminum Back White polypropylene	12	12
R111358	907 ¹	18 in. Aluminum Back Blended, stainless & nylon	12	13
R111342	905	24 in. Aluminum Back Blue nylon	12	19
R111366	912	18 in. Molded Back White polypropylene	12	10
R111386	912VL	18 in. Molded Back White nylon, end caps for vinyl liner pools	12	10
R500013	420	18 in. Molded Back White polypropylene	12	9
ALGAE BRUSH – (NOT FOR VINYL LINER POOLS)				
R500012	410	6 in. Molded Back, Stainless Steel for Plaster, Concrete, Gunite	12	7
R111616	604A	6 in. Aluminum Back, Stainless Steel for plaster, Concrete, Gunite	12	6
R111626	709	9 in., Aluminum Back Stainless Steel for plaster, Concrete, Gunite	12	9
R111646	718	18 in., Aluminum Back Stainless Steel for plaster, Concrete, Gunite	12	15
ACID-WASH/TILE/DECK BRUSHES				
R111584		10 in. Blue & white crimped bristles	25	21
SCRUBBERS				
R111556	650	Multi-purpose scrub brush w/ 3 pads	12	6
R111560	651	Universal swivel handle, 4-5/8 in. x 10 in. w/ removable pad	12	6

¹ Not for use on vinyl liner pools.

Note: All items with snap-adapt handle include a high performance Acetal Resin Spring and will snap into all standard poles or can be bolted on, if preferred, simply by removing the Acetal Resin Spring.

FLOATS, FLOAT ROPE, AND SAFETY HOOK



Float Keepers

CALIFORNIA PROPOSITION 65 WARNING
 ⚠️ **WARNING:** Cancer and Reproductive Harm.
 ⚠️ **AVERTISSEMENT:** Peut Causer le Cancer et des Dommages au Système Reproducteur.
 ⚠️ **ADVERTENCIA:** Cáncer y Daño Reproductivo.
www.p65warnings.ca.gov 09/2017A

Featured Highlights

Floats & Safety Equipment

- Unsinkable, durable, polyethylene floats are available in a variety of sizes

Safety Float Lines

- Include 3/8 in. poly rope, 3 in. x 5 in. floats, solid chrome brass rope hook, 1 fid and locking device

Floats, Float Rope, and Safety Hook

Ordering Information

Product	Model	Description	Carton Qty.	Carton Wt. (Lbs.)
SAFETY POOL HOOK				
R221026	153	Fits any standard straight pole (do not attach to telescopic poles), nut. Mounting Hardware set not included. See item R221030	12	14
R221030	153	Hardware set for Pool Hook	1	
SWIM TEACHER				
R221056	58	Two 7 in. x 7 in. poly floats with 30 in. white PVC bar, packed in bag with header	6	10
FLOATS				
R181026	350	Red and white, 3 in. x 5 in. Oval Float, Fits 1/2 in. Rope	100	12
R181016	350	Blue and white, 3 in. x 5 in. Oval Float, Fits 1/2 in. Rope	100	12
R181046	350	Solid white, 3 in. x 5 in. Oval Float, Fits 1/2 in. Rope	100	12
R181086	590	Blue and white, 5 in. x 9 in. Oval Float, Fits 3/4 in. Rope	24	11
R181096	590	Red and white, 5 in. x 9 in. Oval Float, Fits 3/4 in. Rope	24	11
R181156	770	Solid white, 7 in. x 7 in. Round Float, Fits 3/4 in. Rope	20	10
FLOAT KEEPERS & ROPE HOOKS				
R181436	71	Secures No. 590 to 3/4 in. rope, two pieces and two screws, one set holds one float in place	1	
R181446	71	Set of two, bubble pack	12	1
R181486	74	Secures No. 590 to 3/4 in. rope, four pieces and two screws, one set holds one float in place	1	
R06017	355	Replacement chrome brass rope hook	1	
R181416	355	Replacement chrome brass rope hook, bubble pack	12	2
SAFETY FLOAT LINES				
R181206	3520	20 ft. Pool Dimension, 9 floats	6	15
R181216	3518	18 ft. Pool Dimension, 7 floats	6	14
R181226	3516	16 ft. Pool Dimension, 5 floats	6	12
R181200	3525	25 ft. Pool Dimension, 9 floats (Available Built to Order Only)	1	3
R181268	3524	24 ft. Pool Dimension, 9 floats (Available Built to Order Only)	1	3
R181269	3530	30 ft. Pool Dimension, 9 floats (Available Built to Order Only)	1	2

FLOATING CHEMICAL DISPENSERS

Featured Highlights

For use with Bromine or slow dissolving Trichlor tablets

330 Floating Chemical Dispenser

- Linear polyethylene construction and foam filled for added buoyancy. Has twist lock cap and adjustable control ring. Holds six 3 in. or 3 lbs. of 1 in. tablets.

335 Chlorine/Bromine Floating Dispenser

- For spas and small swimming pools. Linear polyethylene and foam filled. Rate of chemical dispensing is controlled by dial device. Holds 1 in. tablets only.

332 Splasher Pool/Spa Floating Dispenser

- For aboveground, splasher or small pools and spas. Can be used under spa or pool covers. Linear polyethylene and foam filled. Molded dispensing windows and positive control device. Holds approx. 11 oz. of 1 in. tablets.

Floating Accessory Leash

- Prevents floating items from hanging up or drifting away. Has 36 in. cord and molded anchor plate with pressure sensitive pad that adheres to most surfaces.



Floating Chemical Dispensers

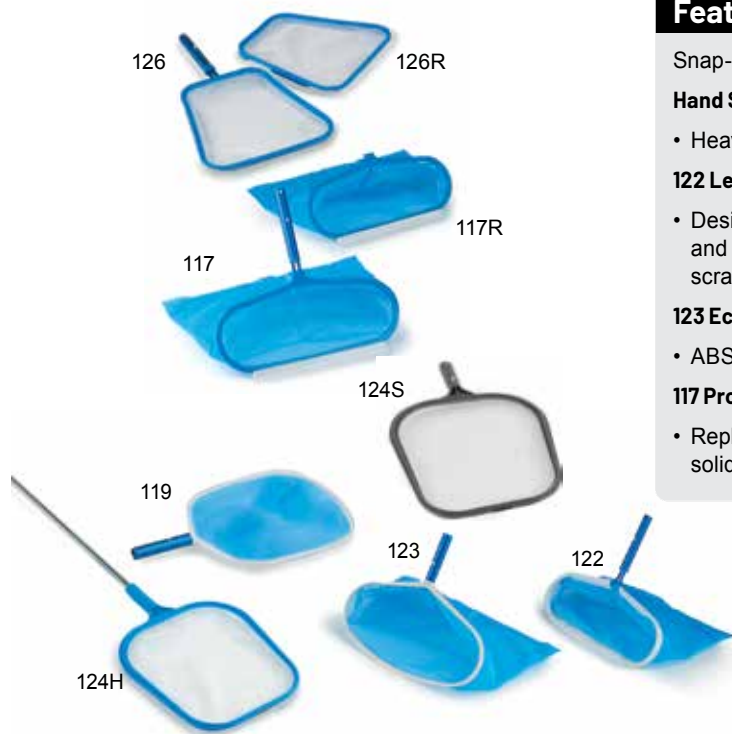
CALIFORNIA PROPOSITION 65 WARNING

⚠️ **WARNING:** Cancer and Reproductive Harm.
 ⚠️ **AVERTISSEMENT:** Peut Causer le Cancer et des Dommages au Système Reproducteur.
 ⚠️ **ADVERTENCIA:** Cáncer y Daño Reproductivo.
www.p65warnings.ca.gov

Ordering Information

Product	Description	Carton Qty.	Carton Wt. (Lbs.)
330 FLOATING CHEMICAL DISPENSER			
R171060	Floating Chemical Dispenser with screen installed between adjustment ring and body	12	13
R171086	Blue and white Floating Chemical Dispenser	12	13
332 SPLASHER POOL/SPA FLOATING DISPENSER			
R171130	Splasher Pool/Spa Dispenser	12	9
335 CHLORINE/BROMINE FLOATING DISPENSER			
R171074	Blue and white	12	8
R171090	Beige and white	12	8
R18855	Optional protective screen	1	
ACCESSORIES			
R221270	Floating Accessory Leash	1	

HAND SKIMMERS AND LEAF RAKES



Hand Skimmers and Leaf Rakes

Featured Highlights

Snap-adapt handles allow for use with most poles

Hand Skimmers

- Heavy-duty reversible nets stand up to tough wear

122 Leaf Rake

- Designed to easily remove leaves and debris. Screen and frame completely covered with squeegee for scraping fine, loose debris on pool bottom

123 Econo Leaf Rake

- ABS molded frame with aluminum reinforcement

117 Pro Leaf Rake

- Replaceable snap-on frame and net fits on 3/8 in. solid anodized aluminum rod

CALIFORNIA PROPOSITION 65 WARNING
 ⚠️ **WARNING:** Cancer and Reproductive Harm.
 ⚠️ **AVERTISSEMENT:** Peut Causer le Cancer et des Dommages au Système Reproducteur.
 ⚠️ **ADVERTENCIA:** Cáncer y Daño Reproductivo.
www.p65warnings.ca.gov P65071A

Ordering Information

Product	Model	Description	Carton Qty.	Carton Wt. (Lbs.)
HAND SKIMMERS				
R121026	119	Molded Frame Skimmer reinforced with aluminum and aluminum handle	12	8
R121166	124S	Spa/Aboveground Skimmer, screen molded into frame, with magnet	12	7
R121186	124H	Long Handle Skimmer, molded frame with 1 in. x 4 ft. pole	12	11
R121196	126	Professional Grade Heavy-duty Skimmer, 3/8 in. solid aluminum rod, Deep net molded into ABS snap-on replacement frame	12	13
R121216	126R	No. 126 Professional Grade Replacement frame and net	12	6
LEAF RAKES				
R121106	122	Leaf rake, 3/8 in. aluminum rod with attached handle and heavy-duty fiberglass screen	12	18
R121126	123	Econo leaf rake, ABS molded frame reinforced with aluminum, frame has raised lip for scraping bottom	12	10
R121230	117	Pro leaf rake, replaceable frame and net snaps onto 3/8 in. solid aluminum rod, replaceable squeegee strip	12	18
R121232	117R	Replacement frame, squeegee and netting for No. 117 and No. 122	12	12

LEAF TRAPS / LEAF EATERS

Featured Highlights

Leaf Traps

- Specially designed to be used with automatic suction-side pool cleaners or vacuum heads. Pentair Leaf Traps capture large amounts of leaves, twigs, rocks, hair pins, and other debris before it reaches the skimmer or pump basket. Most models include 3 ft. of flexible vacuum hose.

186 'Snap Open' Leaf Trap

- Features snap open and close lid, clear housing and large handle for ease of carrying. Available in 1-1/2 in. and 2 in. models. Traps debris in polyester bag. 25 sq. ft. cartridge (with special plug) for 100% filtration of fine dust, silt or small debris is also available.

360476 2.2 L Leaf Trap

- Fast and easy debris removal. Quick snap canister is a cinch to empty and clean. One male and one female hose attachment, no need for adapters.

185 Leaf Eater® Cleaner

- Venturi action top skimmer or bottom cleaner. Works with a garden hose and standard telepole or automatic pool cleaner hose. Collector bag slips on and off easily. Comes with brushes for vinyl liner pools and wheels for ease of turning on hard bottomed pools.



R172653 186A/B
Snap Open Leaf Traps



360476



185



186

Ordering Information

Product	Model	Description	Carton Qty.	Carton Wt. (Lbs.)
LEAF TRAPS				
R211084	186A	5.0 Liter Capacity, 1-1/2 in., bag, 3 ft. 1-1/2 in. hose	6	33
R211086	186B	5.0 Liter Capacity, 2 in., bag, 3 ft. hose	1	7
R211087	186B	5.0 Liter Capacity, 2 in., bag, no hose	1	5
R211256		Replacement hose	1	
R172653	186	25 sq. ft. cartridge w/ plug	1	
R211516		Standard mesh bag No. 186, No. 179C	1	
R211518		Sand/silt bag No. 186, No. 179C	1	
360476		2.2 Liter Capacity, 1-1/2 in., no hose	1	2
LEAF EATERS				
R211036	185	Wheels and brushes, mesh bag, display box	3	12
R211046	185B	Wheels and brushes, mesh bag, bulk, no display	6	17
R211286	185	No. 185-03 Sand/silt bag		
R211406	185	No. 185-15 Replacement brushes, bubble pack	1	
R211426	185	No. 185 Replacement bag, mesh	1	
R211436	185	No. 185 Wheels assembly, 3 per bubble pack	1	
HIGH CAPACITY LEAF EATER BAGS WITH EASY SLIDE ON/OFF CLOSURE				
R211432		Bag, 3 ft. long	1	

CALIFORNIA PROPOSITION 65 WARNING

⚠ **WARNING:** Cancer and Reproductive Harm.
 ⚠ **AVERTISSEMENT:** Peut Causer le Cancer et des Dommages au Système Reproducteur.
 ⚠ **ADVERTENCIA:** Cáncer y Daño Reproductivo.
www.p65warnings.ca.gov

See page 488 for replacement parts.

REPLACEMENT BASKETS



Featured Highlights

Replacement Baskets for Skimmers and Pumps

- These quality replacements are injection molded of materials required for optimum performance
- Designed to fit the most popular skimmer wells and pump pots

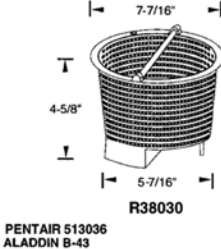
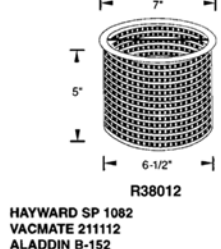
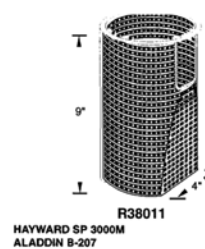
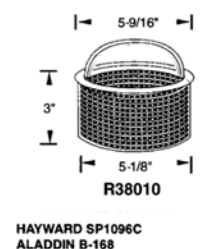
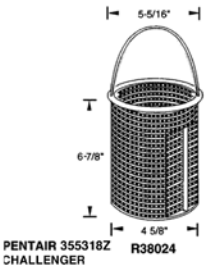
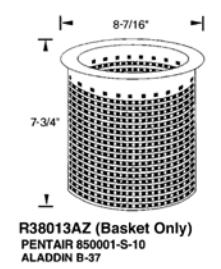
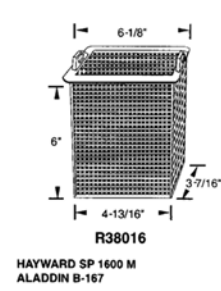
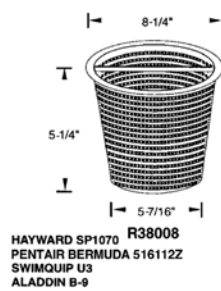
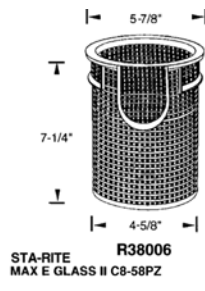
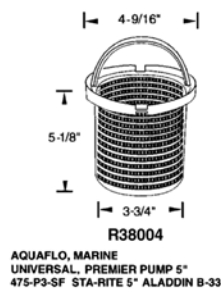
CALIFORNIA PROPOSITION 65 WARNING

⚠ **WARNING:** Cancer and Reproductive Harm.
 ⚠ **AVERTISSEMENT:** Peut Causer le Cancer et des Dommages au Système Reproducteur.
 ⚠ **ADVERTENCIA:** Cáncer y Daño Reproductivo.
www.p65warnings.ca.gov

Ordering Information

Product	Description	Carton Qty.
REPLACEMENT SKIMMER AND PUMP BASKETS		
R38004	Aquaflo, Marine, Universal, Premier Pump 5 in., 475-P3-SF, Sta-Rite 5 in., Aladdin B-33	1
R38006	Sta-Rite Max-E-Glas II C8-58PZ	1
R38008	Hayward® SP 1070, Pentair Bermuda 516112Z, Swimquip U3, Jacuzzi® 4138, Aladdin B-9	1
R38010	Hayward SP-1096C, Aladdin B-168	1
R38011	Hayward SP-3000M, Aladdin B-207	1
R38012	Hayward SP-1082, VacMate 211112, Aladdin B-152	1
R38013AZ	(Basket Only) Pentair 850001-S-10, Aladdin B-37	1
R38013B	(Float Only) Pentair 850012-S-10, Aladdin B-38	1
R38014	Hayward SP-1094-FA, Aladdin B-203	1
R38016	Hayward SP-1600M, Aladdin B-167	1
R38024	Pentair 355318Z Challenger	1
R38030	Pentair 513036, Aladdin B-431	1

Hayward® is a registered trademark of Hayward Industries, Inc. and Jacuzzi® is a registered trademark of Jacuzzi, Inc.



MAINTENANCE KITS

Featured Highlights

Maintenance Kits

- Pentair has a variety of standard kits with the most popular combinations requested by our customers. Each kit is packaged in an attractive box with a handle.



CALIFORNIA PROPOSITION 65 WARNING
 ⚠️ **WARNING:** Cancer and Reproductive Harm.
 ⚠️ **AVERTISSEMENT:** Peut Causer le Cancer et des Dommages au Système Reproducteur.
 ⚠️ **ADVERTENCIA:** Cáncer y Daño Reproductivo.
www.p65warnings.ca.gov PA 201714

Ordering Information

Product	VL/Gunite	Brush	Vacuum	Thermometer	Test Kit	Leaf Net/Leaf Rake	Pole/Hose Hanger	Discharge Hose	Qty.
SWIMMING POOL MAINTENANCE KITS									
R131016 ¹		912		125	752	119	145		3
R131020 ¹		912		125	754 For Canada	119	145		3
R131021 ²	VL	912VL	191LW	125	752	124S			1
R131037 ¹		902B		127	3-Way Strips	119	145		3
R131046 ¹		902		130	78HR	126	145		3
R131048 ¹	VL	912	194	127		119			3
R131066 ¹	VL	902	194	127	752	126			3
R131074 ¹	VL	912	193	127	752	124S			3
R131075 ¹	VL	912	196	127	752	124S			3
R131076 ¹	VL	912VL	193	127	752	124S			3
R131078 ¹	VL	912VL	196	127	752	124S			3
R131079 ¹	VL	912VL	194		752	119			3
R131106 ¹		902		127	754 For Canada	126	145/165		3
R131146 ¹		912		127	78HR	124S			3
R131147 ¹		902		130	78HR	119			3
R131148A ²		902		133	78HR	119			1
R131155 ¹	Gunite	902	203	133	78HR	123	145		3
R131204 ²		902		136	78DPD	124S	145		1
R131256A ²		903 Alt. ⁴		133	752	119			1
R131316 ²	VL	902	194	136	752	124S		1.5 in. x 50 ft.	1
R131360 ²	Gunite	902	188	127	78HR	119			1
R131371 ²	Gunite	902	203	127 and 133		126			1
R131388 ¹	Gunite	902	201		78HR	119			3
R131398 ²	VL	902	196	127		119			1
R131404 ¹	Gunite	902	203		78HR	124S			3
R131410 ³	Gunite	902	203	125	Test Strips	119	145		1
R131418 ¹	Gunite	912	203	136		119			3
R131442 ³	VL	902	196	127	752	123		1.5 in. x 50 ft.	1
R131448 ¹	Gunite	903 Alt. ⁴	203	Yes - Jumbo	5-Way Strips	124S			3

¹ Pentair kraft box style.

² Corrugated box style.

³ Corrugated white box style.

⁴ Brush model 903 has been replaced with an alternate direct replacement.

POLES



Featured Highlights

- **Telescopic Poles** are constructed of high quality drawn aluminum tubing. The 1-1/8 in. OD inside tube is clear anodized and the 1-1/4 in. OD outer tube is bright blue anodized. Each has a bicycle type vinyl hand grip and packed in a protective poly sleeve.
- **Fiberglass Poles** with E-Z Lock compression lock are manufactured to withstand abuse. Required for service pros in areas where protection from electrical shock is mandatory. UV protective coating helps prevent splintering with age.

CALIFORNIA PROPOSITION 65 WARNING

⚠ **WARNING:** Cancer and Reproductive Harm.
 ⚠ **AVERTISSEMENT:** Peut Causer le Cancer et des Dommages au Système Reproducteur.
 ⚠ **ADVERTENCIA:** Cáncer y Daño Reproductivo.
www.p65warnings.ca.gov

Ordering Information

Product	Model	Description	Carton Qty.	Carton Wt. (Lbs.)
POLES				
R191106	820-12	1 piece Straight clear anodized pole -12 ft. w/ pole cap	12	28
R191116	820-16	1 piece Straight clear anodized pole -16 ft. w/ pole cap	12	37
R500070	406-16	2 piece telescopic "ribbed" pole - E-Z lock Cam - 8 ft.-16 ft.	12	28
R500072	406-12	2 piece telescopic "ribbed" pole - E-Z lock Cam - 6 ft.-12 ft.	12	22
R191306	806-16	2 piece telescopic pole - E-Z lock Cam - 8 ft. to 15-1/2 ft., blue	12	35
R191046	812-16	2 piece telescopic pole - Metal Cam - 8 ft. to 15-1/2 ft.	12	36
R191066	812-8	2 piece telescopic pole - Metal Cam - 4 ft. to 7-1/2 ft.	12	21
R191088	806-24	Commercial Aluminum Pole - 12 ft. to 23-1/2 ft. E-Z Lock	12	52
R191090	812-24	Commercial Aluminum Pole - 12 ft. to 23-1/2 ft. Metal cam	12	52
R191091	808-12	Commercial Fiberglass Pole - 6 ft. to 12 ft.	6	20
R191092	808-16	Commercial Fiberglass Pole - 8 ft. to 16 ft.	6	25
R191095	818-12	Commercial Fiberglass Pole - Straight 12 ft. w/ pole cap	6	21
R191101	808-22	Commercial Fiberglass Pole - 11-1/2 ft. to 22 ft.	6	32
R191104	818-16	Commercial Fiberglass Pole - Straight 16 ft. w/ pole cap	3	38
R191380		3 piece telescopic pole - E-Z Lock device - 12 ft.-36 ft., aluminum	6	35

POLE ACCESSORIES

Featured Highlights

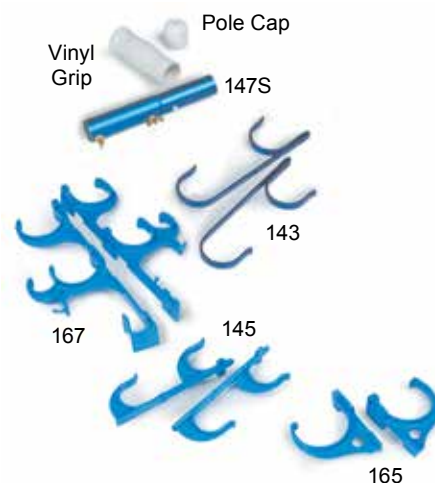
- **Algae-Gon Chlorine Tablet Holder** securely holds a standard tablet at the end of any pole to deliver direct surface application of chlorine to reduce dark algae and other surface stains. Snap-adapt handle attaches to most poles.



Algae-Gon Tablet Holder



Cams



Pole Accessories

CALIFORNIA PROPOSITION 65 WARNING
 ⚠️ **WARNING:** Cancer and Reproductive Harm.
 ⚠️ **AVERTISSEMENT:** Peut Causer le Cancer et des Dommages au Système Reproducteur.
 ⚠️ **ADVERTENCIA:** Cáncer y Daño Reproductivo.
www.p65warnings.ca.gov P65-2011-4

Ordering Information

Product	Model	Description	Carton Qty.	Carton Wt. (Lbs.)
POLE ACCESSORIES				
R07023		Replacement tip tool adapter for fiberglass poles	1	
R22006	1125	Pole cap 1-1/8 in. poles	1	
R22007	900	Pole cap 1-1/4 in. poles	1	
R22025		White vinyl hand grip, 1 in.	1	
R22054		White vinyl hand grip, 1-1/8 in.	1	
R221036	145	Pole hangers, ABS with screws, 1 set per bubble pack card	24	5
R221042	143	Metal pole hangers, screws included, 1 set per bubble pack card	24	7
R221046	165	Hose hangers, ABS with screws 1 set per bubble pack card	24	8
R221054	167	Hose, pole, accessory hangers, large multi-purpose hangers hold vac hose, telepole, test kit, skimmer, brushes, etc., 1 set with screws per bubble pack card	12	12
542068		Algae-Gon chlorine tablet holder, snap-adapt handle attaches to telescopic pole	100	
R221126	147	Pool pole adapters, 3 pieces per set with 6 brass, 1/4 in. x 1-3/4 in. bolts and wing nuts, bubble pack	24	15
R221136	147S	Pool pole adapter, one piece with 2 sets of brass wing nuts and bolts, bubble pack	24	6
R221156	155	Brass bolt and wing nut	1	
R221166	155	Brass bolt and wing nut, 6 sets per bubble pack	12	
R191206	801	White ABS, assembled, 1-1/4 in. brass screw, cam fits most 1-1/8 in. OD drawn and welded tubing, sleeve fits 1-1/4 in. OD	1	
R191216	801	No. 801 Cam, bubble pack	12	
R191256	803	Metal cam die cast aluminum with white ABS sleeve, unassembled with 1/4-28 x 1 in. SS hex bolt, cam fits 1-1/8 in. OD drawn tubes, sleeve fits 1-1/4 in. OD, bubble pack	12	
R191296	806	E-Z Lock cam for aluminum poles, unassembled complete with glue and instructions, bubble pack	12	
R191302	807	E-Z Lock cam for fiberglass poles, unassembled complete with glue and instructions, bubble pack	12	

POOL & SPA SIGNS



Featured Highlights

Pool & Spa Signs

- Commercial quality pool and spa signs are constructed of weather-resistant, high impact plastic and finished with brass grommets for easy, secure hanging.

CALIFORNIA PROPOSITION 65 WARNING

⚠️ **WARNING:** Cancer and Reproductive Harm.
 ⚠️ **AVERTISSEMENT:** Peut Causer le Cancer et des Dommages au Système Reproducteur.
 ⚠️ **ADVERTENCIA:** Cáncer y Daño Reproductivo.
www.p65warnings.ca.gov

Ordering Information

Product	Description	Size	Ctn Qty.
POOL & SPA SIGNS			
R230200	Pool Rules (Calif.)	18 in. x 24 in.	6
R230300	Spa Rules	18 in. x 24 in.	6
R230400	Pool Rules	18 in. x 24 in.	6
R230500	No Lifeguard On Duty. (4 in. letters)	24 in. x 18 in.	6
R235100	No Lifeguard On Duty. (4 in. letters - Texas)	24 in. x 24 in.	6
200186	No Lifeguard On Duty. (4 in. letters - Georgia)	24 in. x 36 in.	6
R230800	Public Pool Use Notice	18 in. x 24 in.	6
R230900	Pool Capacity	18 in. x 12 in.	6
R231100	C.P.R.	24 in. x 18 in.	6
R231200	No Diving Allowed	18 in. x 12 in.	6
R231400	Pool Closed	12 in. x 6 in.	6
R231700	Emergency Phone No. 911	12 in. x 6 in.	6
R232600	No Glassware In Pool Area	9 in. x 12 in.	6
R233800	No Diving (South Carolina)	24 in. x 24 in.	6
R233900	Caution Spa Rules (South Carolina)	24 in. x 36 in.	6
R234000	Pool Rules (South Carolina)	24 in. x 36 in.	6
R234100	Pool Rules (North Carolina)	24 in. x 36 in.	6
R234200	SPA Rules (North Carolina)	24 in. x 36 in.	6
R234500	Water Conditions (Virginia)	12 in. x 9 in.	6
R234700	Danger Pool Closed	18 in. x 12 in.	6
R234800	Pool Rules (Florida)	24 in. x 42 in.	6
R234900	Spa Rules (Florida)	18 in. x 24 in.	6
R235200	Pool Risks (Georgia)	24 in. x 29.5 in.	6
R235300	No Lifeguard (South Carolina) 6 in. x 4 in. letters	36 in. x 24 in.	6
SPANISH POOL & SPA SIGNS			
R233700	(Reglamentos) Pool Rules	18 in. x 24 in.	6

Note: Sign images on the following two pages.

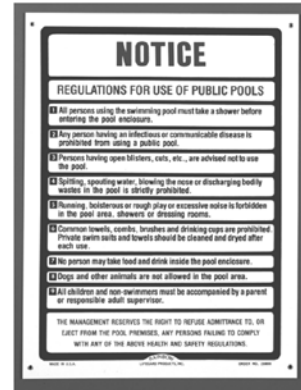
POOL & SPA SIGNS (CONT'D)



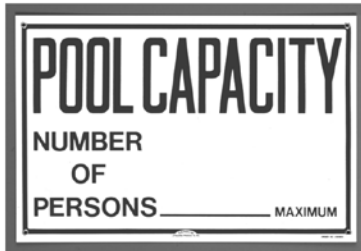
R230500 No Lifeguard On Duty
24 in. x 18 in.



R235100 No Lifeguard On Duty,
(Texas) 24 in. x 24 in.
(4 in. letters)



R230800 Public Pool
Use Notice 18 in. x 24 in.



R230900 Pool Capacity
18 in. x 12 in.



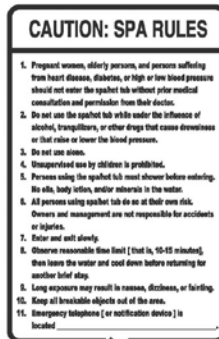
R231100 "C.P.R."
24 in. x 18 in.



R231200 No Diving
Allowed, 18 in. x 12 in.



R231700 Emergency
Phone No. 911, 12 in. x 6 in.



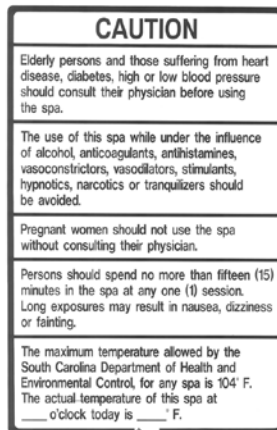
R234200 Caution Spa Rules
(N. Carolina) 24 in. x 36 in.



R232600 No Glassware
In Pool Area, 9 in. x 12 in.



R231400 Pool Closed
12 in. x 6 in.



R233900 Caution Spa Users
(S. Carolina), 24 in. x 36 in.



R233800 No Diving
(S. Carolina) 24 in. x 24 in.



R234000 Pool Rules
(S. Carolina), 24 in. x 36 in.

POOL & SPA SIGNS (CONT'D)



R234100 Pool Rules
(N. Carolina), 24 in. x 36 in.



R230200 Pool Rules
(Calif.) 18 in. x 24 in.



R230300 Spa Rules
18 in. x 24 in.



R234700 Danger
Pool Closed 18 in. x 12 in.



R235200 Pool Risks
Georgia, 24 in. x 29.5 in.



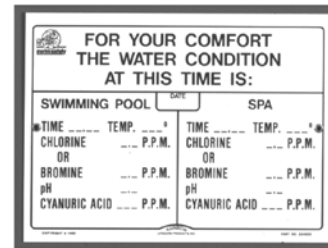
R234900 Spa Rules
(Florida), 18 in. x 25 in.



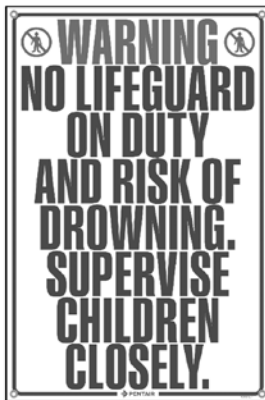
R234800 Pool Rules
(Florida), 24 in. x 50 in.



R230400 Pool Rules
18 in. x 24 in.



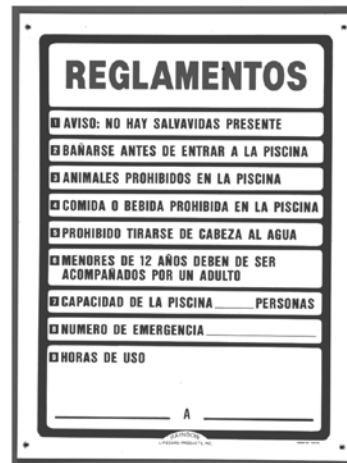
R234500 Water Conditions
(Virginia), 12 in. x 9 in.



200186 No Lifeguard On Duty
(Georgia), 24 in. x 36 in.
(4 in. letters)



R235300 No Lifeguard
(S. Carolina), 36 in. x 24 in.
(6 in. x 4 in. letters)



R233700 Reglamentos
(Pool Rules), 18 in. x 24 in.

TEST KITS

DPD, BROMINE, PH & CHLORINE TEST KITS

Featured Highlights

Pentair testing kits and chemicals are manufactured under strict quality control standards. To guarantee reliability, test reagents should be replaced annually. Replacement and bulk reagents are available in a variety of sizes and packaging.

CALIFORNIA PROPOSITION 65 WARNING
 ⚠️ **WARNING:** Cancer and Reproductive Harm.
 ⚠️ **AVERTISSEMENT:** Peut Causer le Cancer et des Dommages au Système Reproducteur.
 ⚠️ **ADVERTENCIA:** Cáncer y Daño Reproductivo.
www.p65warnings.ca.gov P# 201714



Ordering Information

Product	Model	Description	Carton Qty.	Carton Wt. (Lbs.)
BROMINE TEST KITS				
R151196	756	"2 n 1" Bromine test kit, 1/2 oz. OTO and pH, Br range 0.5–6.5, yellow hinged case, packed 12 kits per counter display	24	10
R151201	756	"2 n 1" Bromine test kit, 1/2 oz. OTO and pH, Br range 0.5–6.5, yellow hinged case, packed 12 kits per counter display, for Canada	24	10
DPD TEST KITS				
R151190	77DPD	4 in 1 Chlorine/Bromine test kit. DPD No. 1 and No. 3 tablets, solutions No. 2, No. 3, No. 4, No. 5, wide Lucite test cell	12	16
R151246	78DPD	"All-in-One" test kit, free, total and combined Cl, pH, acid demand and total Alkalinity, Lucite test cell, 50 each DPD No. 1 and No. 3 tabs, 1 oz. No. 2, No. 3, 1/2 oz. No. 4, No. 5, water test booklet, red display box	12	17
R151248	78DPD+	"All-in-One" plus test kit, for servicemen or homeowners, free, total and combined Cl, Cyanuric Acid, pH, Acid Demand, Alkali Demand and Total Alkalinity, Lucite test cell, 50 each DPD No. 1 and No. 3 tablets, 10 Cyanuric acid tablets, 1 oz. No. 2, No. 3, 1/2 oz. No. 3B, No. 4, No. 5, water test booklet, red display box	12	18
200063	752DPD/PH	Free chlorine and pH analyzer test kit. DPD and pH tablets, 30 tablets each.	12	5
pH & CHLORINE TEST KITS				
R151076	752	"2 n 1" Test Kit 1/2 oz. OTO and Pre-Blended pH, Cl range 0.3–3.0, blue hinged case, packed 12 Kits per counter dispenser	24	10
R151082	752	"2 n 1" Test Kit 1/2 oz. OTO and Pre-Blended pH, Cl range 0.3–3.0, blue hinged case, packed 12 Kits per counter dispenser, for Canada	24	10
R151083	752	"2 n 1" Test Kit 1/2 oz. OTO and Pre-Blended pH, Cl range 0.3–3.0, blue hinged case, packed 12 Kits per counter dispenser, bubble pack, with Spanish instructions	24	10
R151186	78HR	"All-in-One" 4 Way Test Kit, Cl, pH, Acid Demand, Total Alkalinity, Lucite test cell with wide standards, 1 oz. No. 1, No. 2, No. 3, 1/2 oz. No. 4, No. 5, water test booklet, blue display box	12	16

Note: Products containing OTO not available in the State of California.

Note: Air shipment of OTO solution and kits containing OTO solution is prohibited.

TEST REAGENTS

CALIFORNIA PROPOSITION 65 WARNING

▲ **WARNING:** Cancer and Reproductive Harm.
▲ **AVERTISSEMENT:** Peut Causer le Cancer et des Dommages au Système Reproducteur.
▲ **ADVERTENCIA:** Cáncer y Daño Reproductivo.
www.p65warnings.ca.gov

Ordering Information

Product	Description	Carton Qty.	Carton Wt. (Lbs.)
CYANURIC ACID REAGENT			
R161596	Cyanuric Acid Reagent, 8 ounce	24	15
R161606	Cyanuric Acid Reagent, 16 ounce	12	15
R161616	Cyanuric Acid Reagent, 32 ounce	12	28
R161626	Cyanuric Acid Reagent, 1 gallon	4	36
DPD TABLETS			
R161576	DPD No. 1 tablets, rapid dissolve	1000	1
R161586	DPD No. 3 tablets, rapid dissolve	1000	1
R161590	Phenol red tablets, rapid dissolve	1000	1
R161591	Cyanuric acid tablets	1000	1
R161676	Cyanuric acid tablets, 20 per bubble pack	12	2
R161593	DPD No. 1 tablets, 50 per bubble pack	12	2
R161599	DPD No. 3 tablets, 50 per bubble pack	12	2
R161594	Phenol red tablets, 50 per bubble pack	12	2
OTO AND pH SOLUTIONS (BUBBLE PACK)			
R161150	1/2 ounce	24	4
R161160	1 ounce	24	6
R161216	Refill No. 78, test kit, bubble pack	24	11
R161666	Refill No. 78 DPD, test kit, bubble pack	24	13
SOLUTIONS			
R161004	OTO Solution No. 1, 1/2 ounce, used in No. 782, No. 783 ¹	48	3
R161025	OTO Solution No. 1, 1 ounce ¹	48	6
R161046	OTO Solution No. 1, 8 ounce ¹	24	16
R161056	OTO Solution No. 1, 16 ounce ¹	12	15
R161018	pH Solution Phenol Red with Chlorine Neutralizer, 1/2 ounce, used in No. 761, No. 782, No. 783	48	3
R161094	pH Solution Phenol Red with Chlorine Neutralizer, 1 ounce	48	6
R161116	pH Solution Phenol Red with Chlorine Neutralizer, 8 ounce	24	15
R161126	pH Solution Phenol Red with Chlorine Neutralizer, 16 ounce	12	15
R161178	No. 2 (pH Test), 1 ounce ²	48	6
R161180	No. 2 (pH Test), 1 ounce, used in No. 78 and No. 7000 Series, PRO 11, display box ²	24	3
R161286	No. 2 (pH Test), 8 ounce ²	24	16
R161182	No. 3 (Acid Demand, Total Alkalinity), 1 ounce, used in No. 78 and No. 7000 Series, No. 1300, PRO 11, 12 pack display box ³	24	31
R161185	No. 3 (Acid Demand, Total Alkalinity), 1 ounce, used in No. 78 and No. 7000 Series, No. 1300, PRO 11 ³	48	6
R161302	No. 3 (Acid Demand, Total Alkalinity), 1/2 ounce, used in No. 761, No. 782, No. 783 ³	48	3
R161200	No. 3B (Alkali Base Demand), 1/2 ounce, used in No. 78+, No. 7600, No. 7700DPD	48	3
R161202	No. 3B (Alkali Base Demand), 1 ounce, used in No. 78DPD+, PRO 11	48	6
R161204	No. 4 (Chlorine Neutralizer), 1/2 ounce, used in No. 78+, No. 7000 Series, No. 1300, PRO 11, No. 761, No. 782, No. 783 ⁵	48	3
R161203	No. 5 (Total Alkalinity Test), 1/2 ounce, used in No. 78+, No. 7000 Series, No. 1300, PRO 11, No. 761, No. 782, No. 783 ⁴	48	3
R161634	No. 6 (Water Hardness Test), 1/2 ounce. Used in No. 761, No. 782, No. 783, No. 1200, PRO II	48	3
R161642	No. 7 (Water Hardness), 1/2 ounce. Used in No. 761, No. 782, No. 783	48	3
R161644	No. 7 (Water Hardness), 1 ounce. Used in No. 1200, PRO II	48	6

¹ Replaces Solution "A"

³ Replaces Solution "C"

⁵ Replaces Solution "1"

⁶ "pH Solution" or "Phenol Red" formulated by Pentair contains chlorine

² Replaces Solution "B"

⁴ Replaces Solution "D"

⁵ Replaces Solution "4"

Note: Products containing OTO not available in the State of California.

Note: Air shipment of OTO solution and kits containing OTO solution is prohibited.

WATER HARDNESS/SPECIALTY TEST KITS

Featured Highlights

Professionals Pro 11 Test Lab

- Complete 11 test lab designed for service professionals. Free, Total and Combined Cl, Br, Iodine, pH, Acid Demand, Total Alkalinity, Water Hardness and Cyanuric Acid. Handy red tote box contains complete instructions, solutions and tests. Pro-Design Test Cell features Cl range to 10ppm and meets recommended industry standards.



PRO11

CALIFORNIA PROPOSITION 65 WARNING

⚠ **WARNING:** Cancer and Reproductive Harm.
 ⚠ **AVERTISSEMENT:** Peut Causer le Cancer et des Dommages au Système Reproducteur.
 ⚠ **ADVERTENCIA:** Cáncer y Daño Reproductivo.
www.p65warnings.ca.gov

Ordering Information

Product	Model	Description	Carton Qty.	Carton Wt. (Lbs.)
CYANURIC ACID TEST KITS				
R151226	79	Determine parts per million of Cyanuric Acid, test vial designed for positive readout, 8 oz. reagent, instructions in Styrene box with clear top	6	8
PRO 11 MINI LAB				
R151716	PRO 11	Professional Test Lab	6	13
TOTAL ALKALINITY TEST KITS				
R151306	1300	Indicates ppm of alkalinity, test vial, 1 oz. No. 3, 1/2 oz. No. 4, No. 5, blue compact box with instructions	24	12
WATER HARDNESS TEST KITS				
R151276	1200	Total Water Hardness Test Kit, total Hardness in ppm or grains, test vial, 1/2 oz. No. 6, 1 oz. No. 7 and instructions, compact box	24	11



79

Water Hardness/Specialty Test Kits

RAPID TEST STRIPS AND DIGITAL SALT TESTER



QuickTest™ Salt Tracer Kit

Featured Highlights

- **Rapid Test Strips** - Dip...swirl...and read instantly. No waiting.
- **3-Way Strip Tests for Free Chlorine or Bromine, pH, and Alkalinity**
50 Rapid Tests per bottle
- **5-Way Strip Tests for Free Chlorine or Bromine, Total Chlorine, pH, Alkalinity and Total Hardness**
50 Rapid Tests per bottle
- **Salt Strips (Sodium Chloride)**
10 Tests per bottle - Range 1500–5000 ppm

CALIFORNIA PROPOSITION 65 WARNING

⚠ **WARNING:** Cancer and Reproductive Harm.
 ⚠ **AVERTISSEMENT:** Peut Causer le Cancer et des Dommages au Système Reproducteur.
 ⚠ **ADVERTENCIA:** Cáncer y Daño Reproductivo.
www.p65warnings.ca.gov

Ordering Information

Product	Description	Carton Qty.	Carton Wt. (Lbs.)
RAPID TEST STRIPS			
R161566	3 Way, French, Spanish, English, with display box	12	2
R161568	5 Way, French, Spanish, English, Blister Card with display box	12	3
200060	Salt Strips (Sodium Chloride), English, Spanish, Blister Card with display box	12	2
DIGITAL SALT TRACER			
200064	QuickTest Salt Tracer Kit, includes handheld meter, 50 phosphate test strips, water sample cup, 2 vials of conductivity standard test solutions, carrying case	1	3
200065	Replacement Phosphate Test Strips, Clamshell – 50 strips/pack WHT	6	2
200066	Replacement QuickTest Calibration Solution	12	1.5



Rapid Test Strips

THERMOMETERS

Featured Highlights

High-quality pool and spa thermometers help deliver accurate temperature readings for greater enjoyment of recreational water. Pool thermometers also provide crucial information about the performance of pool heating systems.

CALIFORNIA PROPOSITION 65 WARNING
 ⚠️ **WARNING:** Cancer and Reproductive Harm.
 ⚠️ **AVERTISSEMENT:** Peut Causer le Cancer et des Dommages au Système Reproducteur.
 ⚠️ **ADVERTENCIA:** Cáncer y Daño Reproductivo.
www.p65warnings.ca.gov PH 201714



Thermometers

Ordering Information

Product	Model	Description	Carton Qty.	Carton Wt. (Lbs.)
THERMOMETERS				
R141036	127	Tube thermometer, ABS case, 3 ft. cord, bubble pack	24	4
R141046	127	Tube thermometer, bulk pack	48	6
R141076	130	Chrome brass thermometer, blown glass tube secured in brass tubing, 3 ft. cord, bubble pack	24	6
R141086	130	Chrome brass thermometer, bulk pack	48	9
R141106	133	Floating thermometer, ABS tube, flotation cap with color label, bubble pack	24	6
R141200	136	E-Z read combo sink or float thermometer ABS with shatterproof magnifying lens, snap-on/off flotation top, 3 ft. leash w/ anchor plate, hanging or standing clam shell pack	24	8
R221270		Floating accessory leash, prevents floating thermometers from hanging up or drifting away, 3 ft. cord and anchor plate with pad to adhere to most surfaces	24	1



Floating Accessory Leash – prevents items such as a floating chlorinators or thermometers from hanging up or drifting away. Three foot cord and anchor plate with pad to adhere to most surfaces.

VINYL LINER POOL VACUUMS



Featured Highlights

191 Economy Vacuum

- Crescent shaped blue ABS with polypropylene bristles. Has snap-adapt handle and fits 1-1/4 in. or 1-1/2 in. vacuum hose.

193 Vinyl Liner Vacuum

- Oval shaped blue ABS with protective vinyl bumper. Ideal for vinyl liner pools or use on new plaster pools. Replaceable brushes, enclosed lead weights and snap-adapt handle. Fits 1-1/4 in. or 1-1/2 in. vacuum hose.

194 Econo Triangular Vacuum

- Sand weighted ABS body with replaceable brushes and snap-adapt handle. Fits 1-1/4 in. or 1-1/2 in. vacuum hose.

196 Clear View Vacuum

- Triangular shaped, weighted "see-thru" design. Features 2 piece 1-1/4 in. 1-1/2 in. vacuum hose swivel connection which allows hose to move freely without twisting. Cleans corners easily with protective vinyl bumper. Snap-adapt handle and replaceable adjustable brushes.

CALIFORNIA PROPOSITION 65 WARNING

⚠ **WARNING:** Cancer and Reproductive Harm.
 ⚠ **AVERTISSEMENT:** Peut Causer le Cancer et des Dommages au Système Reproducteur.
 ⚠ **ADVERTENCIA:** Cáncer y Daño Reproductivo.
www.p65warnings.ca.gov

Ordering Information

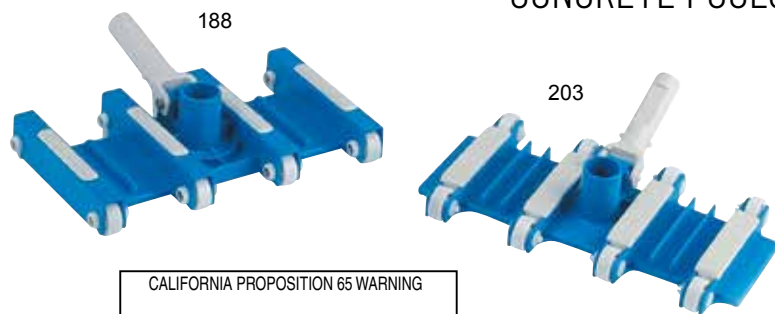
Product	Model	Description	Carton Qty.	Carton Wt. (Lbs.)
VINYL LINER POOL VACUUMS				
R201108	191	Economy vacuum, 191SW with lead weights	12	21
R201350	193	Vinyl liner vacuum, clam shell display pack	6	21
R201392	194	Econo triangular vacuum, clam shell display pack	6	26
R201398	196	Clearview vacuum, clam shell display pack	6	28

Note: All items with snap-adapt handle include a High Performance Acetal Resin spring and will snap into all standard poles or can be bolted on if preferred simply by removing Acetal Resin spring.

See page 489 for replacement parts.

FLEXIBLE POOL VACUUMS

CONCRETE POOLS



Featured Highlights

188 Flexible Pool Vacuum

- Rugged polyethylene housing with enclosed weights. Adjustable solid molded wheels with stainless steel fasteners. Snap-adapt handle.

203 Superflex 14 in. Flexible Pool Vacuum

- Has factory set replaceable molded wheels and fasteners. Includes covered weights and snap-adapt handle with stainless steel wall-hugging spring device.

CALIFORNIA PROPOSITION 65 WARNING
 ⚠ **WARNING:** Cancer and Reproductive Harm.
 ⚠ **AVERTISSEMENT:** Peut Causer le Cancer et des Dommages au Système Reproducteur.
 ⚠ **ADVERTENCIA:** Cáncer y Daño Reproductivo.
www.p65warnings.ca.gov

Ordering Information

Product	Model	Description	Carton Qty.	Carton Wt. (Lbs.)
FLEXIBLE POOL VACUUMS				
R201112	188	12 in. flexible vacuum, clam shell display pack	6	35
R201388	203	Superflex 14 in. flexible vacuum, clam shell display pack	6	25

PROVAC®

FLEXIBLE COMMERCIAL VACUUMS

Featured Highlights

ProVac Residential & Commercial Vacuums

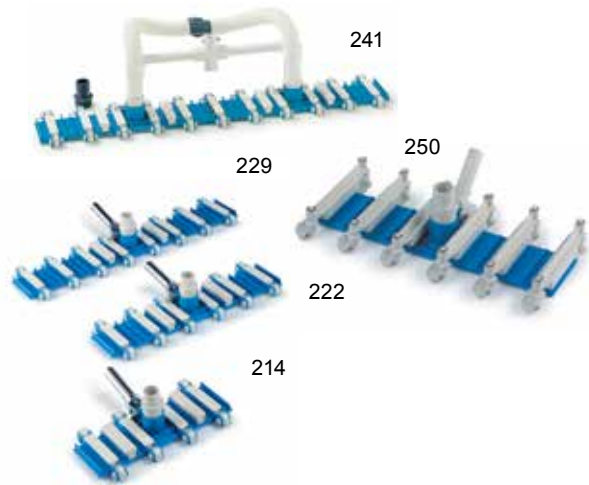
- Suction chamber concentrates vacuum velocity equally
- Full width flex strips guide debris into the suction chamber
- All wheels are adjustable to increase or decrease the vacuum velocity
- Includes 1-1/2 in. vac hose swivel connection

241 Super ProVac Vacuum

- Increased speed in cleaning large commercial pools
- 41 in. wide, dual port vacuum
- 22 ball bearing polyurethane wheels
- Includes adapters for 1-1/2 in. and 2 in. vacuum hose

250 Swivel Wheel 19 in. Commercial Flexible Vacuum

- ABS and polyethylene wheels with 6 lead weights swivel in any direction
- 19 in. body has 1-1/2 in. vacuum swivel adapter which allows hose to move freely without twisting. 2 in. hose fits directly on vacuum.
- Has snap-adapt handle and all component parts are replaceable



Ordering Information

Product	Model	Description	Carton Qty.	Carton Wt. (Lbs.)
241 SUPER PROVAC				
R201298	241	Super ProVac Vacuum, 22 ball bearing polyurethane wheels, suction chamber, strategic weighting and dual manifold with handle joining assembly, includes adapters for 1-1/2 in. and 2 in. vacuum hose, boxed	1	21
250 COMMERCIAL FLEXIBLE VACUUM				
R201126	250	Swivel wheel 19 in., boxed	4	37
PROVAC SERIES RESIDENTIAL & COMMERCIAL VACUUMS				
R201276	214	14 in. Commercial model, metal swivel handle, ball bearing wheels, SS nut and bolt, boxed	6	46
R201286	222	22 in. Commercial model, metal swivel handle, ball bearing wheels, stainless steel shaft, boxed	1	9
R201296	229	29 in. Commercial model, metal swivel handle, ball bearing wheels, stainless steel shaft, boxed	1	11

Note: Refer to price list for vacuum replacement items such as handles, pins, hardware, wheels, axle assemblies, High Performance Acetal Resin clips and brushes.

CALIFORNIA PROPOSITION 65 WARNING

▲ **WARNING:** Cancer and Reproductive Harm.
▲ **AVERTISSEMENT:** Peut Causer le Cancer et des Dommages au Système Reproducteur.
▲ **ADVERTENCIA:** Cáncer y Daño Reproductivo.

www.p65warnings.ca.gov
PR002174

MINI VAC™/VAC-MATE® VACUUM/SKIMMER



204

Mini Vac Display Box

CALIFORNIA PROPOSITION 65 WARNING

⚠ **WARNING:** Cancer and Reproductive Harm.
 ⚠ **AVERTISSEMENT:** Peut Causer le Cancer et des Dommages au Système Reproducteur.
 ⚠ **ADVERTENCIA:** Cáncer y Daño Reproductivo.
www.p65warnings.ca.gov PA200714

Featured Highlights

Mini Vac Vacuum

Cleans spas, above ground pools, ponds, fountains and spot cleans large pools

- Designed for use with a garden hose or 1-1/4 in. or 1-1/2 in. vacuum hose
- Mini Vac Vacuum comes complete with silt bag, hose adapter, shut-off valve for garden hose use and snap-adapt handle for attaching PVC or telescopic poles
- Includes brush attachment for use on vinyl, fiberglass or smooth plaster surfaces and a nozzle attachment with wheel for use on rougher surfaces or spot cleaning large pools

Vac-Mate Vacuum/Skimmer

- A multi-function vacuum/skimmer attachment. The addition of a Vac-Mate Vacuum/Skimmer in most skimmers allows you to control a suction cleaner while maximizing surface skimming, all with one simple setting of the control handle.
- Skims pool surface continuously while cleaner is operating
- Traps debris in Vac-Mate Vacuum/Skimmer basket before it reaches pump pot
- Replaces most control mechanisms supplied with pool cleaners

Ordering Information

Product	Model	Description	Carton Qty.	Carton Wt. (Lbs.)
MINIVAC VACUUM				
R191128	666H	PVC handle, 1-1/4 in. x 6 ft.	12	13
R201146	204	Mini Vac Vacuum, display box.	12	15
R201156	204	Mini Vac Vacuum, bubble pack card	12	16
R201716	204	Silt socks, 3 per bubble pack	12	2
R201718	204	Replacement bags, 2 per bubble pack	12	2
VAC-MATE VACUUM/SKIMMER				
R211100		Fits Pentair products 506300 Series and SwimQuip U3.	6	21



VAC-MATE



R211100

See pages 489 and 493 for replacement parts.

MISCELLANEOUS ACCESSORIES

Featured Highlights

Ladder Bumper

- Inner/outer design with pliable starter plug. Molded of medium density PVC. Fits standard 1.900 O.D. S.S. tubing.
- Protects pool wall from open end of tubular ladders

Silicone Lubricant

- For use on rubber seals, gaskets and o-rings in contact with plastics and metals. Recommended for use on filters, pumps, chlorinators and valves where corrosion occurs.



CALIFORNIA PROPOSITION 65 WARNING
 ⚠️ **WARNING:** Cancer and Reproductive Harm.
 ⚠️ **AVERTISSEMENT:** Peut Causer le Cancer et des Dommages au Système Reproducteur.
 ⚠️ **ADVERTENCIA:** Cáncer y Daño Reproductivo.
www.p65warnings.ca.gov PK220714

Ordering Information

Product	Model	Description	Carton Qty.	Carton Wt. (Lbs.)
DISCHARGE HOSES				
R221218		1-1/2 in. x 50 ft. with stainless steel clamp, display box	1	4
R221220		2 in. x 50 ft. with stainless steel clamp, display box	1	6
R221222		1-1/2 in. x 200 ft., display box	1	18
R221224		2 in. x 200 ft., display box	1	20
R221400		1-1/2 in. x 35 ft., display box	1	3
LADDER BUMPER				
R221298		Ladder Bumper, Bulk pack, fits std 1.900 O.D. S.S. tubing	288	49
R221300		Ladder Bumper, Bubble pack (2 per card), fits std 1.900 O.D. S.S. tubing	1	
SILICONE LUBRICANT				
R172036Z		3/4 ounce	1	
R172351		3/4 ounce, in counter display	30	3
MISCELLANEOUS ACCESSORIES				
R22010Z	850	Winterizing plug, 1-1/2 in. pipe thread, polyurethane	1	
R22011	852	Winterizing plug, 2 in. pipe thread, polyurethane	1	
LEAK DETECTOR				
R220006	151	Device attaches to telepole or 1-1/4 in. pole, includes red dye solution which follows leaks, can also be used to spot treat algae, rust etc., 1/2 oz. leak detector solution, 1/2 oz. bottle, complete instructions, bubble packed	12	6
R220008		Leak detector replacement solution, 3/4 oz.	1	

AQUATRAM® POOL ACCESS LIFTS

ADA-COMPLIANT COMMERCIAL POOL LIFTS



AquaTRAM 90+

AquaTRAM LT-2



AquaTRAM PT-2

AquaTRAM 360

Featured Highlights

- All AquaTRAM lifts comply with ADA Guidelines
- Dual flip-up arm rests provides easier access
- Rechargeable battery-powered operation for easy use
- Comfortable seat with adjustable lap belt
- Simple-to-operate controls provide easy access in and out of pool
- Stainless steel with corrosion-resistant powder coated finish
- Lifting capacities up to 500 pounds
- Color options available

ADA Regulations mandate that most types of commercial swimming pools must have ADA-compliant pool lifts or other approved means of access installed. AquaTRAM pool access lifts aid in a safer and easier swimming pool access for swimmers with physical disabilities. With four versions to choose from, there is an AquaTRAM lift that fits most pools and budget. Standard features include simple to operate controls, rechargeable battery-powered operation and lifting capacities of up to 500 pounds.

Ordering Information

Product	Model	Carton Qty.	Carton Wt. (Lbs.)
AQUATRAM 90+ LIFT			
11420	AquaTRAM 90+ Lift with Quickset Dual Wedge Anchor	1	225
11420-A	AquaTRAM 90+ without Quickset Dual Wedge Anchor	1	220
11421	AquaTram 90+ Lift for Round Anchor Post with Anchor	1	225
11421-A	AquaTRAM 90+ for Round Anchor Post without Anchor	1	215
AQUATRAM LT-2 LIFT AND ANCHOR			
11430	AquaTRAM LT-2 Lift with Anchor Kit	1	170
11430-A	AquaTRAM LT-2 Lift Less Anchor Kit	1	160
AQUATRAM PT-2 LIFT			
11480	AquaTRAM PT-2 Lift with Sand Ballast (sand not included)	1	425
AQUATRAM 360			
11250	AquaTRAM 360 Lift with Anchor	1	365
11250-A	AquaTRAM 360 Lift without Anchor	1	350

Note: Not every lift will work for every application and pool profile. For example, the AquaTRAM and AquaTRAM LT lifts are not designed to clear high curbs or walls. To ensure that you are selecting an appropriate lift for your facility, please refer to our AquaTRAM verification guides or contact customer service for additional applications assistance. AquaTRAM verification guides are available on our website at www.pentair.com.

Note: For best efficiency please email your purchase orders to: paragoncustserv@pentair.com.

For information about AquaTRAM lift accessories, please contact your Pentair Representative.

AquaTRAM products may have extended lead-times and cannot be combined with any Pentair freight programs.

CALIFORNIA PROPOSITION 65 WARNING

▲ **WARNING:** Cancer and Reproductive Harm.
▲ **AVERTISSEMENT:** Peut Causer le Cancer et des Dommages au Système Reproducteur.
▲ **ADVERTENCIA:** Cáncer y Daño Reproductivo.

www.p65warnings.ca.gov
P65-00214

AQUATRAM® POOL ACCESS LIFTS

POOL LIFT ACCESSORIES

CHOOSE THE AQUATRAM LIFT THAT RISES TO YOUR NEEDS

Features and Benefits	AquaTRAM 90+	AquaTRAM 360 Lift with in-deck, tool-free anchoring	AquaTRAM LT-2 Lift with lag-bolt anchoring	AquaTRAM PT-2
Lifting capacity	400 lbs.	500 lbs.	350 lbs.	325 lbs.
ADA Compliant	✓	✓	✓	✓
Rotation for tight-area access	90° right or left	360°		90° right or left
Boom arm design adapts to the most demanding and specialized applications; superb reach and wall clearance	✓	✓		
Can serve 2 adjoining pools with 1 lift		✓		
Low-profile design uses minimal deck space	✓		✓	✓
22"-wide seat standard		✓		
Compact and lightweight, fits through most doorways	✓		✓	✓
Secure in-deck anchoring with patented design; tool-free removal; portable with optional Transport Cart	✓	✓		
Secure Docking Bar included to secure in place per ADA requirement				✓
Lag bolt anchoring, quick removal with tools; portable with optional Transport Cart			✓	
Dual flip-up armrests for easier access and aids in safer transfers	✓	✓	✓	✓
Adjustable & removable footrest fits users across a wide range of sizes	✓	✓	✓	✓
Adjustable lap belt with hook & eye fastening	✓	✓	✓	✓
Easy-to-use Slim Line controls can be operated from seat or pool ledge	✓	✓	✓	✓
Stainless steel construction, durable powder-coat finish	✓	✓	✓	✓
Battery-operated; easier to install & smoother transport than water power	✓	✓	✓	✓
Slim, one-piece 24V rechargeable battery	✓	✓	✓	✓
Submersible remote	✓	✓	✓	✓
5-year Limited Warranty (prorated after year 2 on electronics)		✓		✓
Lifetime Limited Warranty on frame		✓		
2-year Limited Warranty	✓		✓	
Solar Upgrade Option Available	✓		✓	
Plastics Color: ■ Blue (standard) ■ Tan ■ Gray ■ White	✓	✓	✓	✓
Powder Coat Color: ■ White (standard) ■ Tan ■ Gray	✓	✓	✓	✓

AQUATRAM® POOL ACCESS LIFTS

POOL LIFT ACCESSORIES (CONT'D)

AQUATRAM 90+ LIFT

Pentair P/N	Description
11420	AquaTRAM 90+ Lift w/ Quickset Dual Wedge Anchor
11420-A	AquaTram 90+ Lift w/o Quickset Dual Wedge Anchor
11421	AquaTRAM 90+ Lift for Round Anchor Post w/Anchor
11421-A	AquaTRAM 90+ Lift for Round Anchor w/o Anchor
11222	AquaTRAM 90+ Lift Cover
11343	AquaTRAM 90+ Lift Transport Cart
11226	AquaTRAM 90+ Anchor for Round Post Model
11202	AquaTRAM 90+ Anchor for Square Post Anchor
11240	2-1/2"OD x 1.95" ID Anchor Adapter Sleeve
11241	2-3/8"OD x 1.95" ID Anchor Adapter Sleeve
11242	2-5/8"OD x 1.95" ID Anchor Adapter Sleeve
11243	Round Anchor for Wood-Framed Deck

AQUATRAM PT-2 LIFT

Pentair P/N	Description
11480	AquaTRAM PT-2 Lift w/ Sand Ballast (sand not incl.)
11285	AquaTRAM PT-2 Cover, Blue
11287	AquaTRAM PT-2 Accessory Upgrade Kit**
11289	Affixment Kit (contains docking bar and anchor)

**Includes cover, headrest, chest strap and extra battery

AQUATRAM SERIES SHARED OPTIONS & ACCESSORIES

Pentair P/N	Description
11206	AquaTRAM Adjustable Chest Strap
11208	AquaTRAM Pull-out Leg Rest
11211	AquaTRAM Replacement Battery (LINAk)
11277	AquaTRAM Replacement Charger (LINAk)
11212	AquaTRAM Replacement Battery (VITo)
11279	AquaTRAM Replacement Charger (VITo)
11213	AquaTRAM Replacement Footrest
11207	AquaTRAM Cycle Attachment
11305	AquaTRAM Replacement Seat w/ Arms
11215	AquaTRAM Replacement Seat Belt
11306	AquaTRAM Footrest




AQUATRAM LT-2 LIFT AND ANCHOR

Pentair P/N	Description
11430	AquaTRAM LT-2 Lift w/ Anchor Kit
11430-A	AquaTRAM LT-2 Lift Less Anchor Kit
11231	AquaTRAM LT-2 Anchor Kit only
11232	AquaTRAM LT-2 Transport Cart
11204	AquaTRAM Protective Cover
11205	Adjustable Headrest, AquaTRAM LT only
11270	AquaTRAM Replacement Hand Control
11271	AquaTRAM Replacement Control Box (LINAk)
11278	AquaTRAM Replacement Control Box (VITo)
11273	AquaTRAM Replacement Actuator Cover

AQUATRAM 360 LIFT AND ACCESSORIES

Pentair P/N	Description
11250	AquaTRAM 360 Lift w/ Anchor
11250-A	AquaTRAM 360 Lift without Anchor
11252	AquaTRAM 360 Anchor Kit w/ Cap
11257	AquaTRAM 360 Protective Cover
11254	AquaTRAM 360 Adjustable Headrest
11253	AquaTRAM 360 Transport Cart
11255	AquaTRAM 360 Sling Arm Option (500-lb. capacity)
11256-C	AquaTRAM 360 Replacement Sling Chain Set
11256	AquaTRAM 360 Replacement Sling (500-lb. capacity)
11256-B	AquaTRAM 360 Replacement Sling Bars
11258	AquaTRAM 360 Gurney Option
11260	AquaTRAM 360 Spine Board Option
11261	AquaTRAM 360 Head Immobilizer for Spine Board
11274	AquaTRAM 360 Replacement Hand Control, 4-Button
11275	AquaTRAM 360 Replacement Control Box
11276	AquaTRAM 360 Replacement Actuator
11259	AquaTRAM 360 Wheelchair Option, 22" Chair included

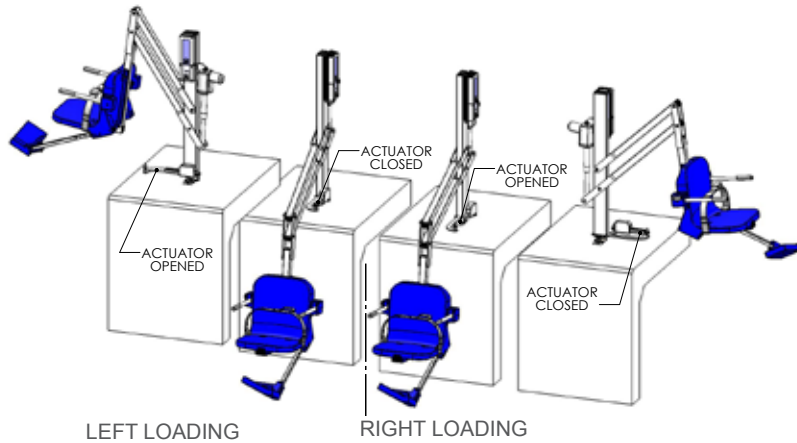
CALIFORNIA PROPOSITION 65 WARNING

 **WARNING:** Cancer and Reproductive Harm.
 **AVERTISSEMENT:** Peut Causer le Cancer et des Dommages au Système Reproducteur.
 **ADVERTENCIA:** Cáncer y Daño Reproductivo.
www.p65warnings.ca.gov

PA201714

AQUATRAM® POOL ACCESS LIFTS

ADA-COMPLIANT POOL LIFTS



LEFT LOADING

RIGHT LOADING

TO REVERSE THE LOADING POSITION, TURN THE POST 90° CCW FROM THE "LEFT" SIDE TO ALLOW LOADING ON THE RIGHT SIDE.



2-1/2" Square Post Anchor (Quickset)



1.95" Round Post Anchor (Standard)

CALIFORNIA PROPOSITION 65 WARNING

⚠ **WARNING:** Cancer and Reproductive Harm.
 ⚠ **AVERTISSEMENT:** Peut Causer le Cancer et des Dommages au Système Reproducteur.
 ⚠ **ADVERTENCIA:** Cáncer y Daño Reproductivo.

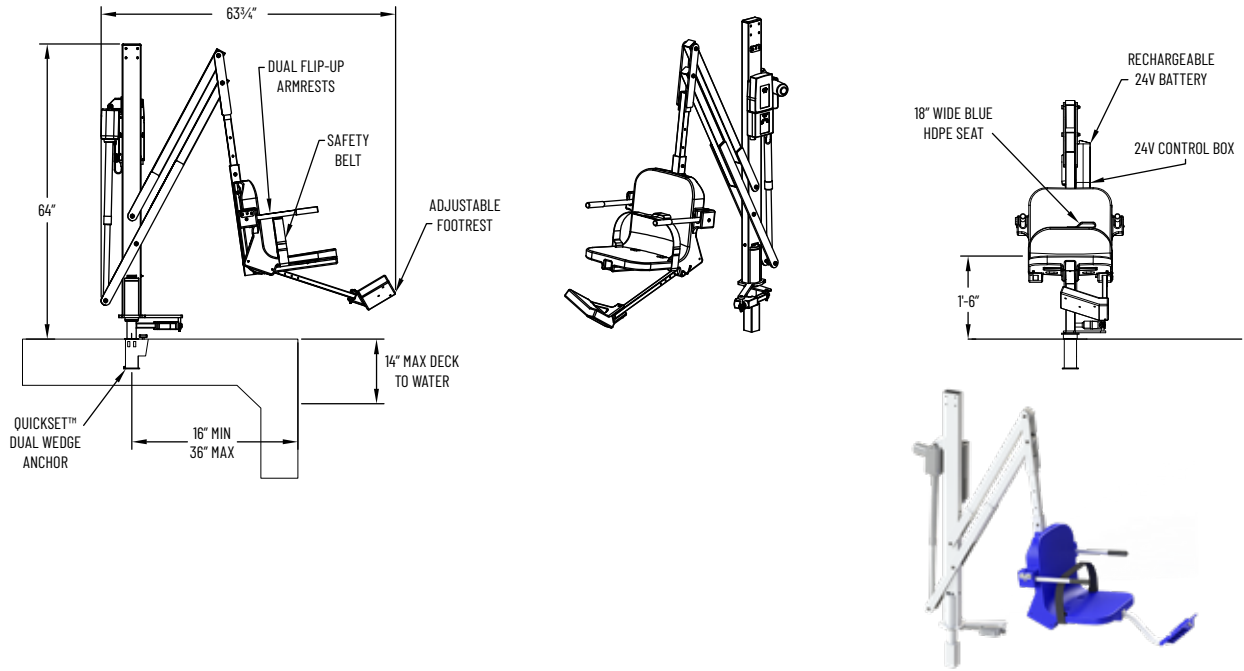
www.p65warnings.ca.gov

PN2007EA

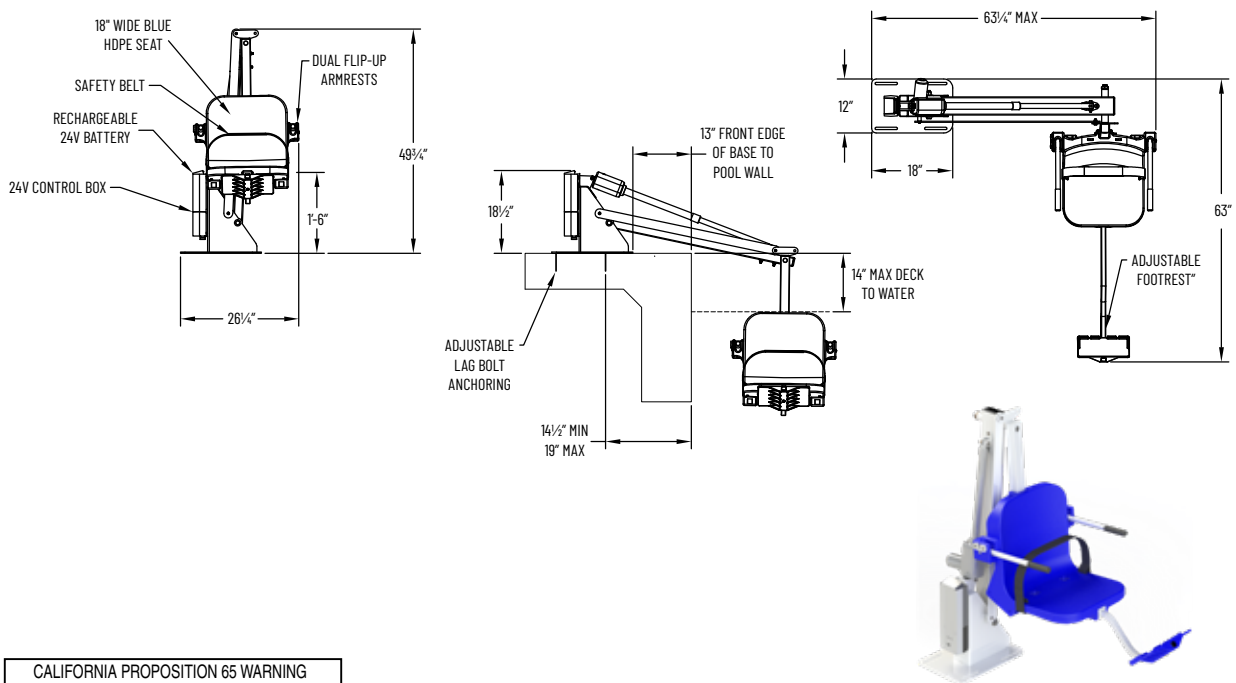
AQUATRAM® POOL ACCESS LIFTS

ADA-COMPLIANT POOL LIFTS

AQUATRAM 90+ LIFT



AQUATRAM LT-2 LIFT



CALIFORNIA PROPOSITION 65 WARNING

- ⚠ WARNING:** Cancer and Reproductive Harm.
- ⚠ AVERTISSEMENT:** Peut Causer le Cancer et des Dommages au Système Reproducteur.
- ⚠ ADVERTENCIA:** Cáncer y Daño Reproductivo.

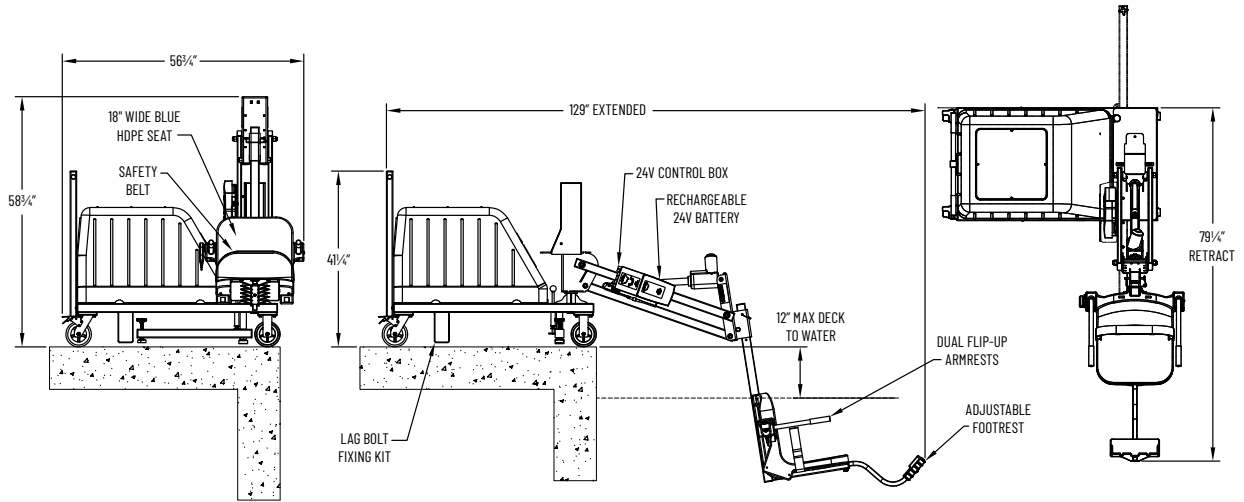
www.p65warnings.ca.gov

PR202174

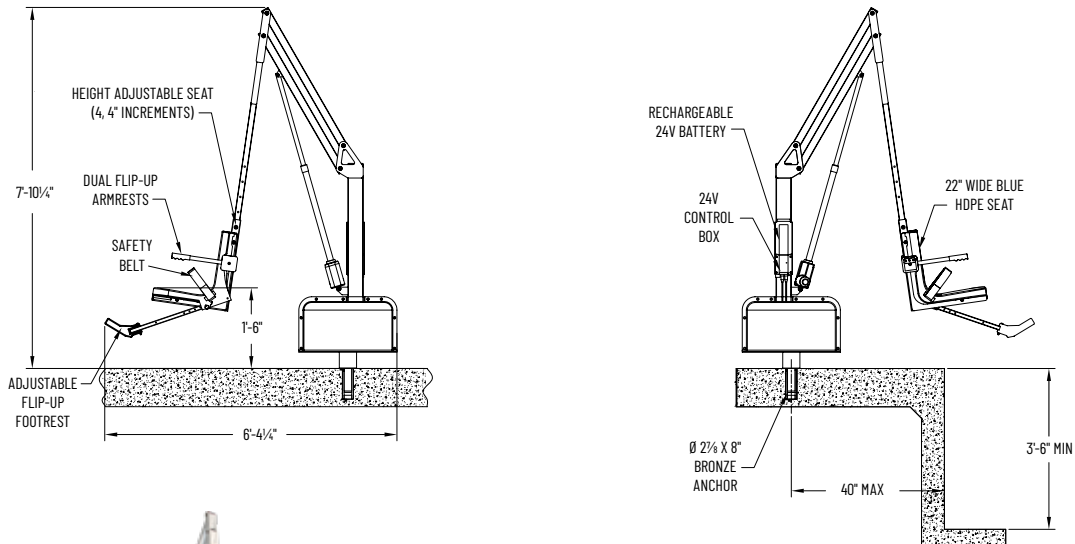
AQUATRAM® POOL ACCESS LIFTS

ADA-COMPLIANT POOL LIFTS

AQUATRAM PT-2



AQUATRAM 360 LIFT



CALIFORNIA PROPOSITION 65 WARNING

⚠ **WARNING:** Cancer and Reproductive Harm.
 ⚠ **AVERTISSEMENT:** Peut Causer le Cancer et des Dommages au Système Reproducteur.
 ⚠ **ADVERTENCIA:** Cáncer y Daño Reproductivo.

www.p65warnings.ca.gov
PN130173.A

PARAGON™ DECK EQUIPMENT

POOL ACCESSORIES

For over 50 years, KDI Paragon products have been the flagship of the aquatics industry for quality, craftsmanship and innovation. We remain focused on the core values that helped make us the leader: we build to our customer's specifications with a commitment to custom products and continuous improvement; we provide superior customer service and communication by listening and being responsive to our partners in the aquatics industry, whether architects, engineers, distributors, contractors, facility managers or competitive swimming and diving professionals.



Track Start PLUS+™ is a modular concept that adds optional enhancements to new and existing Track Start starting platforms. These features will be factory installed if ordered with new Track Start platforms. The same kits, complete with mounting hardware and installation instructions will be provided for an easy retrofit in the field for existing platforms.



Track Start PLUS+™ STS Starting Platform features include:

- Modular concept enhancing swimmers performance with seamless upgrade to existing Quickset/Paralyte or Competitor style platforms
- Side-to-side adjustment for unimpeded rear access with or without a step
- Non-skid, white sand finish, UV inhibited polypropylene kick plate adjusts infinitely from side-to-side
- Color options available for frame and sand-finish kick plate. Call for more information.



Grab Rails:

- Grab rails come in pairs. They are used to keep racing lanes free from obstructions when used in conjunction with built-in steps.
- Figure 4 model shown to left. Pentair's most popular model. For flat deck without unusual curbs or coping.
- Many more styles available



Diving Towers and Stair Systems:

- Our diving towers offer significant differences to satisfy varying needs, including budgets, preferences, and job conditions.
- Sizes vary from 1/2 meter to 3 meters in height. Paraflyte towers are available in one meter and three meter models.
- Each tower is furnished with railings, rear anchor, front anchor, pedestal and fulcrum.

CALIFORNIA PROPOSITION 65 WARNING

⚠ **WARNING:** Cancer and Reproductive Harm.
 ⚠ **AVERTISSEMENT:** Peut Causer le Cancer et des Dommages au Système Reproducteur.
 ⚠ **ADVERTENCIA:** Cáncer y Daño Reproductivo.

www.p65warnings.ca.gov

PK100174

PARAGON™ DECK EQUIPMENT

POOL ACCESSORIES

Griff's Vision Guard Station™

- Minimum footprint; maximum impact
- Less costly; ships flat
- 3 heights available



All Terrain Griff's Guard Station®

- Super portable - tip and roll with ease over any terrain
- Front and back guard access



Custom-Made Railings

We will fabricate railings to your specifications whenever custom fabricated, corrosion-resistant, stainless steel railings are required. Can be used for most pool applications: including entry, ADA compliant, stairs, deck guards and diving towers. Design and engineering support are readily available.

Our railings are manufactured and verified to meet your project's unique specifications. All rails are factory welded and are shipped ready for installation requiring no field cutting, drilling or modifications.



We manufacture most rail goods in 1.90" O.D. stainless steel tubing, and have extensive experience manufacturing custom rails in 1.50" O.D. as well. If rails are not being installed directly into the concrete, anchor sockets are available to accommodate 1.90" and 1.50" rails.

For our complete Paragon Deck Equipment product line, contact Customer Service and request a Paragon Deck Catalog (part #PCA-103).

CALIFORNIA PROPOSITION 65 WARNING
⚠️ WARNING: Cancer and Reproductive Harm.
⚠️ AVERTISSEMENT: Peut Causer le Cancer et des Dommages au Système Reproducteur.
⚠️ ADVERTENCIA: Cáncer y Daño Reproductivo.
www.p65warnings.ca.gov PH2017L4

