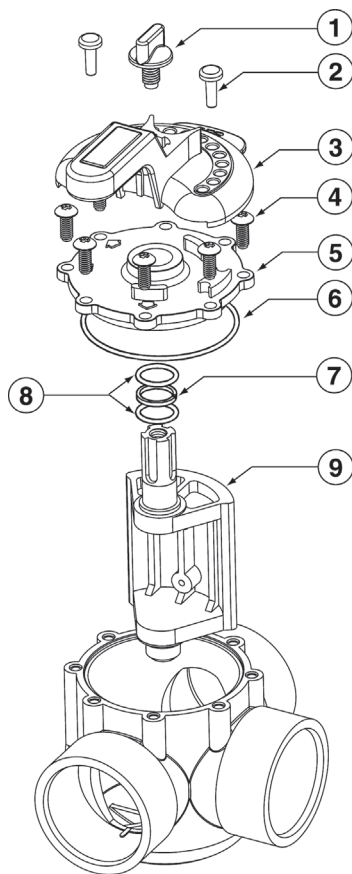




# VALVE PARTS

Product Catalog 2025 - 2026

## DIVERTER VALVES – 1-1/2 IN. AND 2 IN. REPLACEMENT PARTS (PACFAB AND COMPOOL VALVES)

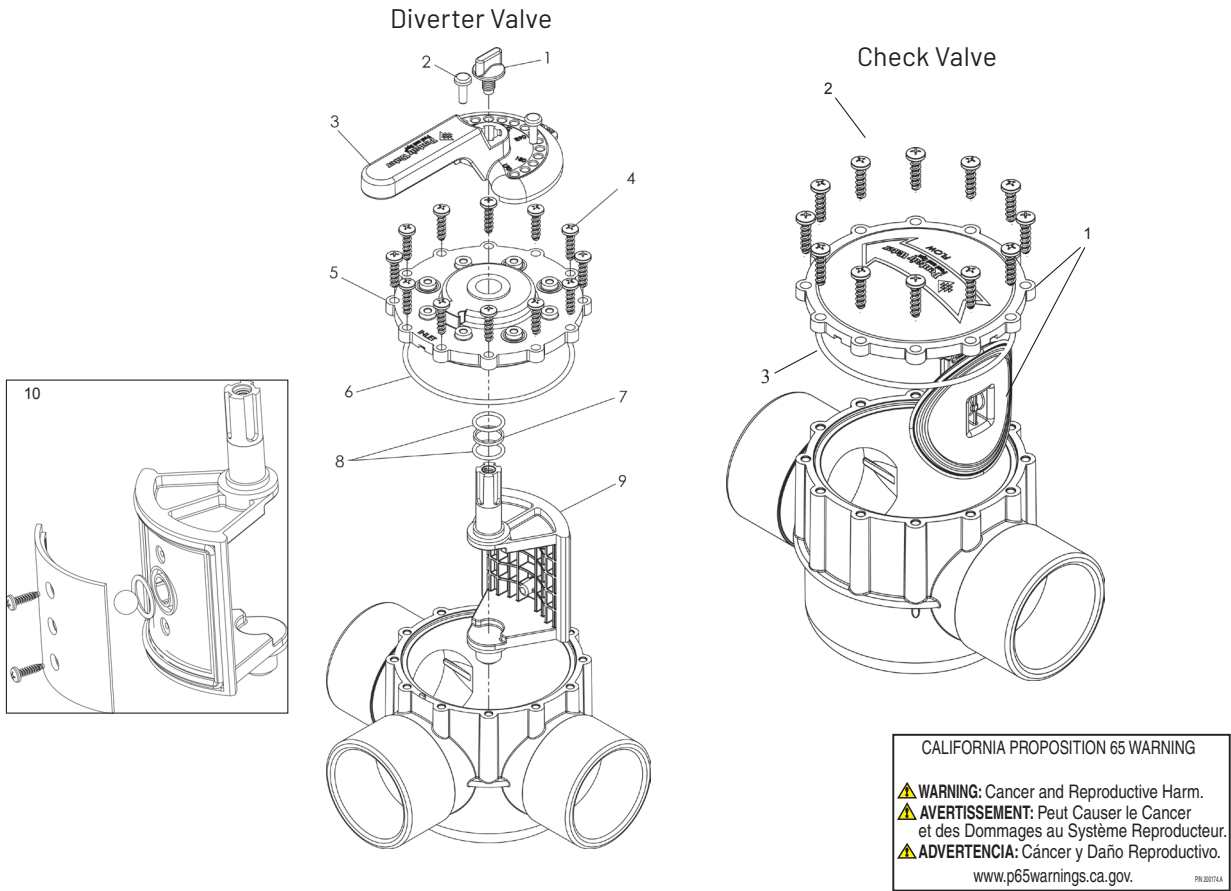


CALIFORNIA PROPOSITION 65 WARNING  
 ⚠️ **WARNING:** Cancer and Reproductive Harm.  
 ⚠️ **AVERTISSEMENT:** Peut Causer le Cancer et des Dommages au Système Reproducteur.  
 ⚠️ **ADVERTENCIA:** Cáncer y Daño Reproductivo.  
[www.p65warnings.ca.gov](http://www.p65warnings.ca.gov) PH001714

Item No.	Part No.	Description	US List	Can. List
<b>DIVERTER VALVES – 1-1/2 IN. AND 2 IN.</b>				
1	270032	Handle Knob 2 & 3-Way Valve	30.02	36.07
2	270021	Pin stop 2 & 3-Way Valve	CALL	CALL
3	270028	Handle 2 & 3-Way Valve	CALL	CALL
4	520389	Screw Kit, (8 Screws)	62.63	75.26
5	270030	Cover CPVC 2 & 3-Way Valve	CALL	CALL
6	51016200Z	O-ring #2-152 Buna 70 Shore	5.84	7.02
7	270038	Spacer ring	CALL	CALL
8	192039Z	O-ring #2-116 Buna 70 Shore	4.04	4.85
9	270056	Diverter assy. 2 & 3-Way Valve, (2–2-1/2 in.) <sup>1</sup>	108.28	130.11
9	270075	Diverter assy. 2 & 3-Way Valve, (1-1/2–2 in.) <sup>1</sup>	124.52	149.62
9	270094	Diverter assy. 3-Way Solar Valve w/ drain down, (2–2-1/2 in.)	181.53	218.13
<b>NOT SHOWN</b>				
	263042Z	Check Valve Replacement Kit	126.66	152.19

<sup>1</sup> Includes: P/N 270038 (Spacer split ring) and P/N 192039Z (O-ring).

# FULLFLOXF® DIVERTER & CHECK VALVES – 2-1/2 IN. & 3 IN. REPLACEMENT PARTS

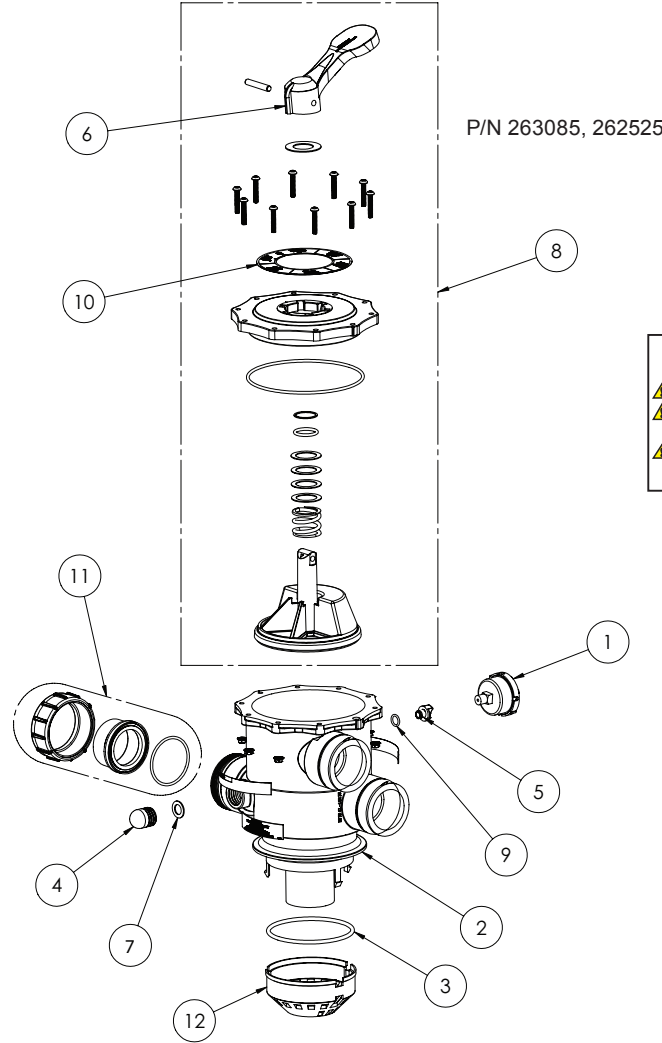


CALIFORNIA PROPOSITION 65 WARNING  
 ⚠️ WARNING: Cancer and Reproductive Harm.  
 ⚠️ AVERTISSEMENT: Peut Causer le Cancer et des Dommages au Système Reproducteur.  
 ⚠️ ADVERTENCIA: Cáncer y Daño Reproductivo.  
[www.p65warnings.ca.gov](http://www.p65warnings.ca.gov) PH000164

Item No.	Part No.	Description	US List	Can. List
<b>DIVERTER VALVE</b>				
1	271074Z	Screw Handle Lock	27.64	33.21
2	271072Z	Pin Handle Stop	3.49	4.19
3	270118Z	Handle	CALL	CALL
4	271077Z	Screw Kit (12 screws/kit)	CALL	CALL
5	270115Z	Diverter Valve Cover	41.20	49.51
6	270116Z	O-Ring, 2-248 Buna-N 70 Shore A (1 req.)	12.87	15.46
7	271073Z	O-ring, Spacer (1 req.)	6.46	7.76
8	192039Z	O-Ring, 2-116 Buna-N 70 Shore A (2 req.)	4.04	4.85
9	270106Z	Diverter Shaft Assy	139.13	167.18
10	270107Z	Diverter Assy Solar 3-Way Valve w/ Drain Down Check Valve	206.62	248.27
<b>CHECK VALVE</b>				
1	270119Z	Check Valve Flapper Replacement Kit (includes items 2 & 3)	175.78	211.22
2	271077Z	Screw Kit (12 Screw/Kit)	111.84	134.39
3	270116Z	O-Ring 2-248 Buna-N 70 Shore A (1 req.)	12.87	15.46

# 2 IN. TOP MOUNT VALVE

## REPLACEMENT PARTS



Item	Part No.	Description	US List	Can List
<b>6 POSITION TOP MOUNT CLAMP-ON MULTIPORT VALVE</b>				
1	190059Z	Pressure Gauge	68.74	82.60
2	270210Z	Valve Body	128.74	154.69
3	272541	Valve Body O-Ring	12.79	15.37
4	272556Z	Sight Glass	26.74	32.13
5	272557Z	Drain Plug	26.56	31.91
6	272558Z	Handle	40.34	48.47
7	272567Z	Sight Glass Gasket	26.74	32.13
8	272568Z	Valve Top Assembly*	254.49	305.80
9	272573Z	Drain Plug O-Ring	26.83	32.24
10	272576Z	Valve Position Label	30.06	36.12
11	272590Z	Union Kit	75.77	91.05
12	274402Z	Diffuser	50.51	60.69

\* Item #8 does not include screws.

# SIX-WAY 1-1/2 IN. TOP MOUNT HIFLOW™ VALVES

## REPLACEMENT PARTS (PACFAB MULTIPOINT VALVES 262504, 262505, 262506)

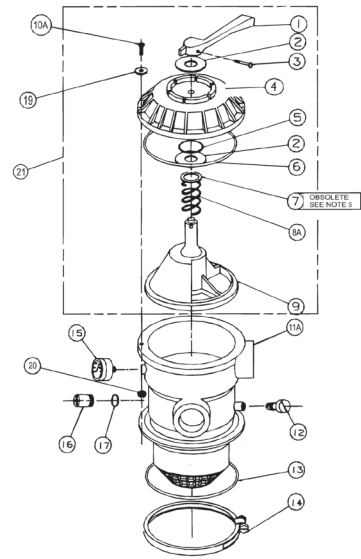
Item No.	Part No.	Description	US List	Can. List
<b>6-WAY HIFLOW MULTIPOINT VALVES</b>				
1	272520	Handle	39.18	47.08
2	272505Z	Washer plastic, 2 req.	4.42	5.31
3	272405Z	Screw - handle	2.57	3.09
4	272599	Six-way valve label	9.13	10.97
5	272511Z	O-ring - diverter shaft	2.48	2.98
6	354053Z	O-ring - valve top	43.39	52.14
7	271193Z	Washer - s/s <sup>3</sup>	3.77	4.53
8	272400Z	Spring - comp. 100 lb. 1-13/16 o.d. <sup>3</sup>	14.69	17.65
8A	272535Z	Spring - comp. 100 lb. 1-3/8 o.d. <sup>3</sup>	7.85	9.43
9	272512	Diverter w/ gasket	84.05	100.99
10A	354541	Screw #10-24 hex pan head, 6 req. <sup>4</sup>	3.44	4.13
11A	272530Z	Valve body w/ diffuser - clamp style	205.92	247.43
12	273512	Air bleeder with O ring <sup>2</sup>	18.26	21.94
13	272541	O-ring - 3/16 in. x 4-5/8 in. i.d.	12.79	15.37
14	152165	Clamp	39.18	47.08
15	190059Z	Pressure gauge	68.74	82.60
16	272550	Sight glass <sup>1</sup>	20.79	24.98
17	271106	Gasket - sight glass <sup>1</sup>	4.66	5.60
18	154493	O-ring	8.49	10.20
19	272555Z	Washer - 9/16 s/s, 6 req. <sup>4</sup>	2.57	3.09
20	272554Z	Nut - #10-24 serrated flange s/s, 6 req. <sup>4</sup>	3.13	3.76
21	272531	HiFlow 1-1/2 in. top valve assy.	257.37	309.26

<sup>1</sup> VALVES MANUFACTURED BEFORE MARCH 1, 1993 DO NOT CONTAIN ITEM 16 SIGHT GLASS OR ITEM 17 SIGHT GLASS GASKET.

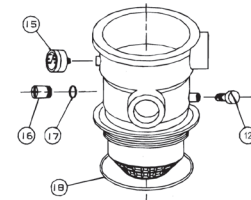
<sup>2</sup> CLAMP STYLE VALVES MANUFACTURED BEFORE MARCH 1, 1993 CONTAIN A DIFFERENT AIR BLEEDER WITH O-RING P/N 272515. THIS PART IS NOT INTERCHANGEABLE WITH P/N 273512. THREADED VALVES MANUFACTURED BEFORE MARCH 1, 1993 DO NOT CONTAIN AN AIR BLEEDER WITH O-RING.

<sup>3</sup> ITEM 8A USED ON VALVES MANUFACTURED AFTER MAY 1, 1992 AND REPLACES BOTH ITEMS 7 AND 8.

<sup>4</sup> ITEMS 10A, 19 AND 20 ARE USED ON VALVES MANUFACTURED AFTER APRIL 15, 1994 AND REPLACE ITEM 10.



For (262504) (262505)(262506)  
Clamp Style Valve For TA-D Filters



For (261130) 6 in.  
Buttress Style Valve For  
TA Filters

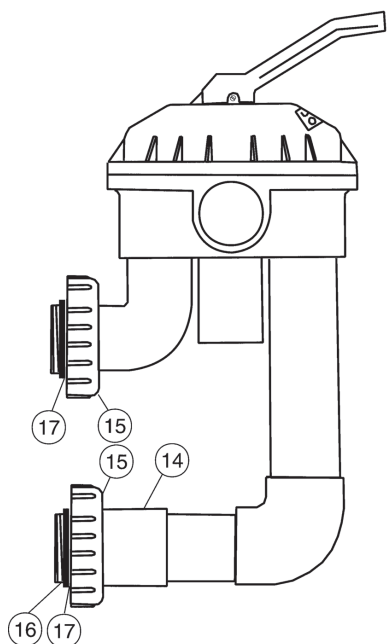
CALIFORNIA PROPOSITION 65 WARNING

⚠ **WARNING:** Cancer and Reproductive Harm.  
 ⚠ **AVERTISSEMENT:** Peut Causer le Cancer et des Dommages au Système Reproducteur.  
 ⚠ **ADVERTENCIA:** Cáncer y Daño Reproductivo.

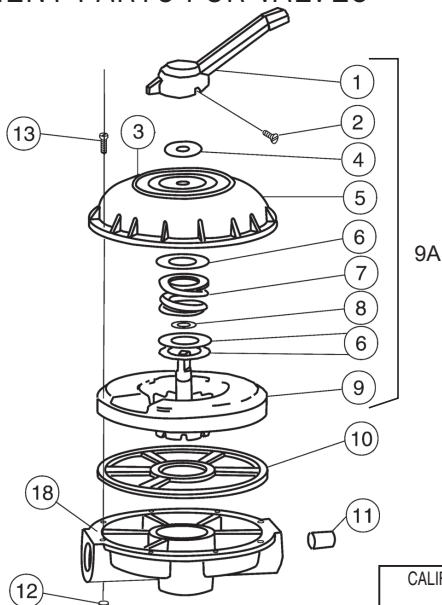
www.p65warnings.ca.gov. P/N 262514

## 2 IN. HI-FLOW™ VALVES

### REPLACEMENT PARTS FOR VALVES



Valves  
261049  
261050  
261142



CALIFORNIA PROPOSITION 65 WARNING  
 ⚠️ **WARNING:** Cancer and Reproductive Harm.  
 ⚠️ **AVERTISSEMENT:** Peut Causer le Cancer et des Dommages au Système Reproducteur.  
 ⚠️ **ADVERTENCIA:** Cáncer y Daño Reproductivo.  
[www.p65warnings.ca.gov](http://www.p65warnings.ca.gov) PR650714

Item	Part No.	Description	US List	Can. List
<b>2 IN. HI-FLOW VALVES</b>				
1	272520	Handle	39.18	47.08
2	272405Z	Screw - Handle	2.57	3.09
3	272120	Label	CALL	CALL
4	272402Z	Washer - Plastic	4.48	5.38
5	272412Z	Valve Top	88.88	106.80
6	271193Z	Washer - 18 GA., 2 req.	3.77	4.53
7	272400Z	Spring - Compression	14.69	17.65
8	JV18	O-ring Kit Bag	1.72	2.07
9	272413Z	Diverter	157.06	188.72
9A	272422	Valve top assy. <sup>1</sup>	336.91	404.83
10	272409	Seal - Diverter	61.19	73.53
11	154566Z	Sight Glass 2 in. clear	23.92	28.74
12	98211400Z	Nut 1/4 in.- 20 Hex, 8 req.	4.36	5.24
13	272403Z	Screw 1/4 in.- 20, 8 req.	2.75	3.30
15	274407	Nut - Bulkhead adapter, 2 req.	CALL	CALL
16	274426	Adapter - Union Kit	CALL	CALL
17	274494	O-ring - Bulkhead adapter, 2 req.	CALL	CALL
18	272433	Valve btm. 2 in. w/ gasket <sup>2</sup>	209.09	251.24

<sup>1</sup> This part number includes items 1 thru 9.

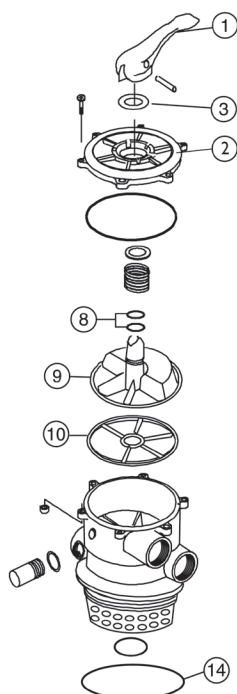
<sup>2</sup> 272433 valve btm. 2 in. w/ gasket contains one each of: 272409 seal diverter and 272415Z Plate 2 in. valve btm.

# TOP MOUNT CLAMP-ON MULTIPOINT VALVES

## REPLACEMENT PARTS FOR AMERICAN VALVES

P/N 50113100  
1-1/2 in. thrd.

P/N 50123100  
2 in. slip



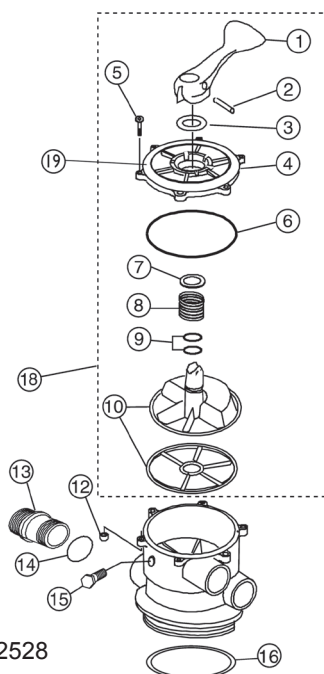
Item	Part No.	Description	US List	Can. List
<b>6 POSITION TOP MOUNT CLAMP-ON MULTIPOINT VALVE</b>				
1	271156	Handle	51.83	62.28
2	98740900	Label multipoint valve - 2 in. eclipse	CALL	CALL
3	51001400	Washer, poly	15.04	18.07
8	191479	O-ring	2.11	2.54
9	51002800	Rotor 1-1/2 in.	126.19	151.63
9	51002900	Rotor 2 in.	CALL	CALL
10	271104	Gasket, spider, 1-1/2 in. valve	41.61	50.00
10	271148Z	Gasket, spider, 2 in. valve	50.44	60.61
14	39300600Z	O-ring, 26 & 30 in. filter	CALL	CALL

CALIFORNIA PROPOSITION 65 WARNING  
 ⚠️ **WARNING:** Cancer and Reproductive Harm.  
 ⚠️ **AVERTISSEMENT:** Peut Causer le Cancer et des Dommages au Système Reproducteur.  
 ⚠️ **ADVERTENCIA:** Cáncer y Daño Reproductivo.  
[www.p65warnings.ca.gov](http://www.p65warnings.ca.gov) PR630714

# TOP MOUNT CLAMP-ON MULTIPOINT VALVES

## REPLACEMENT PARTS FOR AMERICAN VALVES

P/N 272528



5 Position Product No.: 50115100

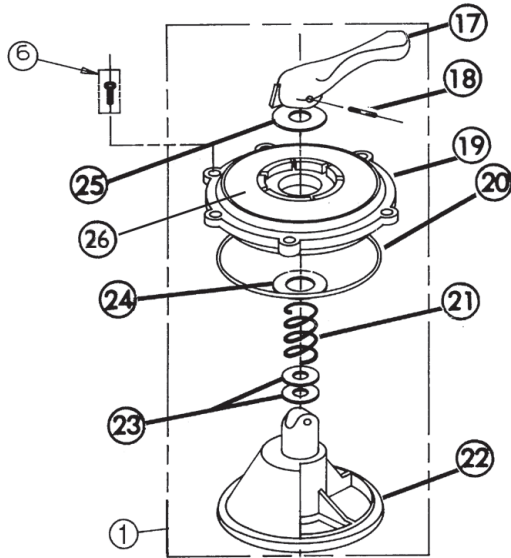
8 Position Product Nos.: 50118100,  
50118200, & 50118300

Item	Part No.	Description	US List	Can. List
<b>5 &amp; 8 POSITION TOP MOUNT CLAMP-ON MULTIPOINT VALVE</b>				
1	50131100	Handle, 8-pos.	CALL	CALL
2	50151400	Pin, handle	CALL	CALL
3	51025700	Washer, poly	CALL	CALL
4	50133100	Lid assy., 8-pos., w/ label	CALL	CALL
5	98209000	Screw 14-20 x 1-1/2 in., 6 req.	3.48	4.18
6	50151700	O-ring, lid	CALL	CALL
7	51021600	Washer	CALL	CALL
8	51000700	Spring	CALL	CALL
9	191479	O-ring, rotor, 2 req.	2.11	2.54
10	50131400	Rotor, spider gasket assy.	CALL	CALL
12	98211400Z	Nut, 1/4 in. -20, 6 req.	4.36	5.24
13	85019000	Sight glass, 18, 20 in. sand filter	34.12	41.00
13	85019100	Sight glass, 22, 26 in. sand filter	34.12	41.00
14	50152300	O-ring, backwash sight glass	8.18	9.83
15	98206400	Plug, 1/4 in. NPT w/ O-ring	5.96	7.16
16	39300600Z	O-ring, 26, 30 in. sand filter	CALL	CALL
18	272528	Top Valve Assy.	CALL	CALL
19	96734200	Label multipoint valve 8 pos.	CALL	CALL

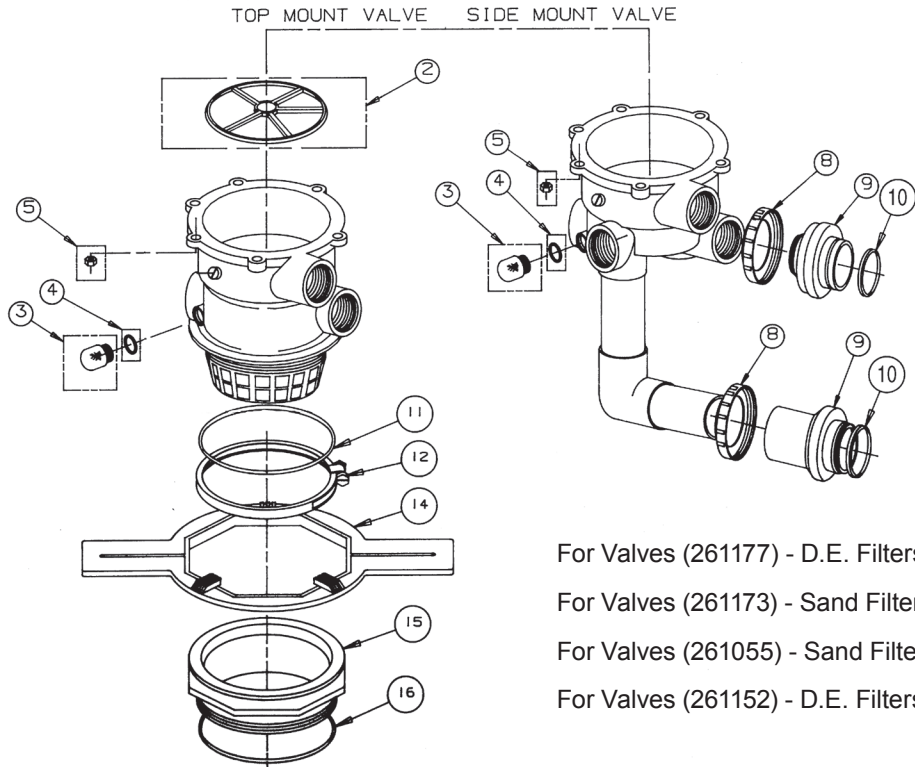
CALIFORNIA PROPOSITION 65 WARNING  
 ⚠️ **WARNING:** Cancer and Reproductive Harm.  
 ⚠️ **AVERTISSEMENT:** Peut Causer le Cancer et des Dommages au Système Reproducteur.  
 ⚠️ **ADVERTENCIA:** Cáncer y Daño Reproductivo.  
[www.p65warnings.ca.gov](http://www.p65warnings.ca.gov) PR630714

# TOP MOUNT / SIDE MOUNT VALVES

## REPLACEMENT PARTS FOR PACFAB MULTIPOINT VALVES



For use on TR, TA, NS  
or FNS filters



For Valves (261124, 261185)

For Valves (261177) - D.E. Filters  
 For Valves (261173) - Sand Filters  
 For Valves (261055) - Sand Filters  
 For Valves (261152) - D.E. Filters

CALIFORNIA PROPOSITION 65 WARNING  
 ⚠️ **WARNING:** Cancer and Reproductive Harm.  
 ⚠️ **AVERTISSEMENT:** Peut Causer le Cancer et des Dommages au Système Reproducteur.  
 ⚠️ **ADVERTENCIA:** Cáncer y Daño Reproductivo.  
[www.p65warnings.ca.gov](http://www.p65warnings.ca.gov) PH2017EA






## TOP MOUNT / SIDE MOUNT VALVES (CONT'D)

## REPLACEMENT PARTS FOR PACFAB MULTIPORT VALVES

Item	Part No.	Description	US List	Can. List
<b>TM/SM HI-FLOW MULTIPORT VALVES</b>				
1	270068	Top valve assy. 1-1/2 in.	311.25	374.00
1	270067	Top valve assy. 2 in.	373.97	449.36
2	271104	Gasket - diverter, 1-1/2 in.	41.61	50.00
2	271148Z	Gasket - diverter, 2 in.	50.44	60.61
3	272550	Sight glass	20.79	24.98
4	271106	Gasket - sight glass	4.66	5.60
5	152167Z	Nut, M6 s/s, 6 req.	2.49	2.99
6	152168	Screw - M6 x 30mm s/s, 6 req.	3.44	4.13
8	274407	Nut - bulkhead adapter, 2 req.	CALL	CALL
9	274404Z	Adapter - valve, slip 1-1/2 in.	39.18	47.08
9	274651	Adapter - valve, threaded 1-1/2 in.	32.64	39.22
9	274556	Adapter - valve thread, 2 in.	24.30	29.20
10	274494	O-ring - adapter, 2 req.	CALL	CALL
11	272541	O-ring - valve adapter, 1-1/2 in.	12.79	15.37
11	275333	O-ring - valve, 2 in.	10.88	13.07
12	152165	Clamp with screws and nuts, 1-1/2 in.	39.18	47.08
12	152130	Band assy. - valve, 2 in.	166.16	199.66
14	154512	Wrench - flanged valve, 1-1/2 in.	41.19	49.49
14	151608	Wrench - adapter flange	CALL	CALL
15	155225	Adapter - flanged std. thread, 1-1/2 in.	60.86	73.13
15	152520Z	Adapter - flanged buttress, 1-1/2 in.	172.36	207.11

Item	Part No.	Description	US List	Can. List
15	154521	Adapter - flange buttress thread, 2 in.	108.20	130.01
16	154493	O-ring flanged valve adapter, 1-1/2 in.	8.49	10.20
16	152501	O-ring - adapter, 2 in.	11.25	13.52
17	271156	Handle	51.83	62.28
18	271164	Pin, handle	20.90	25.11
19	271158Z	Valve top, white, 1-1/2 in.	94.51	113.56
19	271165	Valve top, black, 1-1/2 in.	94.76	113.86
19	271166	Top valve cover, blk, 2 in.	141.62	170.17
19	271169	Top valve cover, blk, 2 in.	205.02	246.35
20	271103	O-ring, valve top, 1-1/2 in.	24.60	29.56
20	271151	O-ring, valve top, 2 in.	30.29	36.40
21	271161	Valve spring	70.14	84.28
22	271163	Valve diverter, 1-1/2 in.	126.09	151.51
22	271168	Valve diverter, 2 in.	141.62	170.17
23	191479	O-ring, stem, 2 req.	2.11	2.54
24	271160Z	Washer, valve spring	15.33	18.42
25	271157	Washer, handle	15.33	18.42
26	273208	Label 2 in. Sand (261055)	CALL	CALL
26	273207	Label 2 in. D.E. (261152)	CALL	CALL
26	271140	Label 1.5 in. Sand (261173)	CALL	CALL
26	271141	Label 1.5 in. D.E. (261177)	CALL	CALL
26	272035	Label 1.5 in. Sand (261124)	CALL	CALL
26	273211	Label 2 in. Sand (261185)	CALL	CALL

## CALIFORNIA PROPOSITION 65 WARNING

 **WARNING:** Cancer and Reproductive Harm.  
 **AVERTISSEMENT:** Peut Causer le Cancer et des Dommages au Système Reproducteur.  
 **ADVERTENCIA:** Cáncer y Daño Reproductivo.

www.p65warnings.ca.gov.

PA.00174A

# MULTIPOINT SIDE MOUNT 1-1/2 IN. VALVES

## REPLACEMENT PARTS FOR STA-RITE VALVES

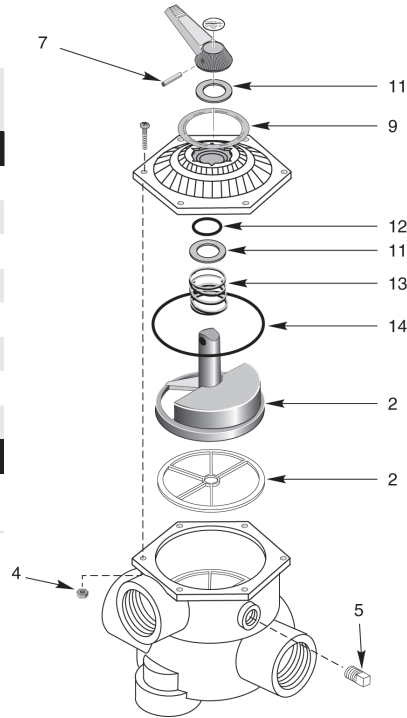


Item	Part No.	Description	US List	Can. List
<b>MULTIPOINT SIDE MOUNT 1-1/2 IN. VALVE</b>				
2	14962-0017	Plug and Gasket	CALL	CALL
4	98211400Z	Hex Nut, 1/4-20 S.S.	4.36	5.24
5	WC78-40T	Plug, 1/4 in.	5.32	6.39
7	35857-0021	Dowel Pin, 5/16 x 2-1/2 in. S.S.	10.80	12.98
11	14962-0005	Washer	6.27	7.53
12	35505-1228	O-Ring	6.71	8.06
13	14962-0011	Spring	31.90	38.33
14	35505-1272	O-Ring	18.05	21.69
<b>NOT SHOWN</b>				
	14962-0035	Spring and O-Ring Kit, Includes Items 11, 12, 13 & 14	66.72	80.17

**MODELS**

14964-0014 – Hose Connection  
 WC212-143P – Union onnection

CALIFORNIA PROPOSITION 65 WARNING  
 ⚠️ **WARNING:** Cancer and Reproductive Harm.  
 ⚠️ **AVERTISSEMENT:** Peut Causer le Cancer et des Dommages au Système Reproducteur.  
 ⚠️ **ADVERTENCIA:** Cáncer y Daño Reproductivo.  
[www.p65warnings.ca.gov](http://www.p65warnings.ca.gov) PR 202114

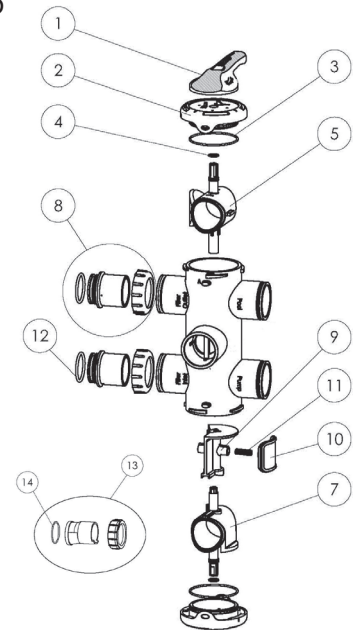


# FULLFLOXF® BACKWASH VALVE

## REPLACEMENT PARTS FOR VALVES

Item	Part No.	Description	US List	Can. List
<b>FULLFLOXF BACKWASH VALVE</b>				
1	270187Z	Handle	77.99	93.71
2	270190Z	End Cap, 2 Req.	67.62	81.25
3	270197Z	O-Ring #2-244 Buna, 2 Req.	12.48	15.00
4	192039Z	O-Ring #2-116 Buna, 2 Req.	4.04	4.85
5	270199Z	Outlet Diverter	104.02	124.99
7	270200Z	Inlet Diverter	104.02	124.99
8	274426Z	Pentair Union Assembly	77.99	93.71
9	274416Z	Center Diverter	77.99	93.71
10	274417Z	Waste Seal	77.99	93.71
11	274421Z	Waste Seal Spring	18.20	21.87
12	274494	O-Ring #2-332 Buna	CALL	CALL
13	261067Z	Sta-Rite Union Assembly	78.20	93.97
14	U9-362	O-Ring #2-231 Buna	7.94	9.54
<b>NOT SHOWN</b>				

	270514Z	Rebuilt Kit includes Item 3 (Qty. 2), Item 4 (Qty. 2), and Items 5, 7, and 10.	260.00	312.42
	411101Z	XF Union Kit	156.01	187.46



CALIFORNIA PROPOSITION 65 WARNING  
 ⚠️ **WARNING:** Cancer and Reproductive Harm.  
 ⚠️ **AVERTISSEMENT:** Peut Causer le Cancer et des Dommages au Système Reproducteur.  
 ⚠️ **ADVERTENCIA:** Cáncer y Daño Reproductivo.  
[www.p65warnings.ca.gov](http://www.p65warnings.ca.gov) PR 202114

# MULTIPORT SIDE MOUNT 1-1/2 & 2 IN. VALVES

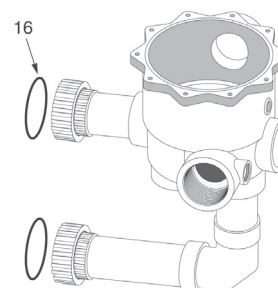
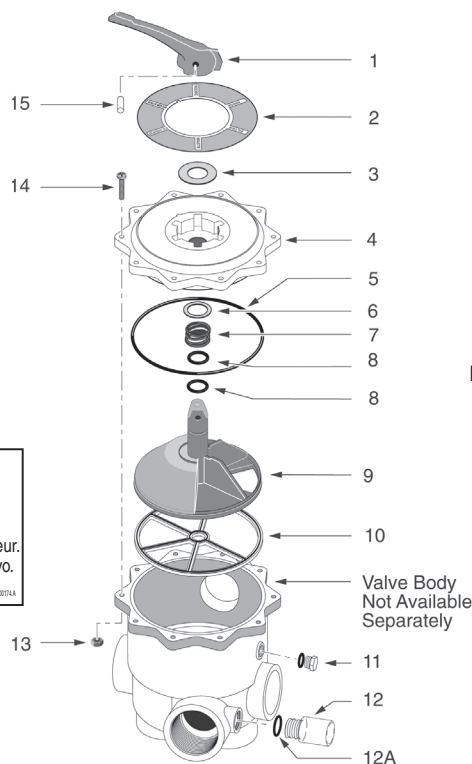
## REPLACEMENT PARTS FOR STA-RITE VALVES



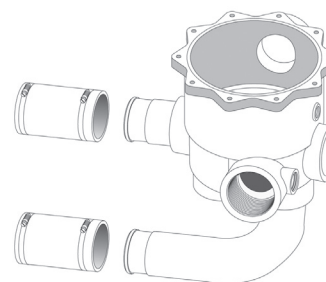
### MODELS

- 18202-0150
- 18202-0150H
- 18201-0200
- 18201-0200H
- 18201-0300
- 18202-0250

CALIFORNIA PROPOSITION 65 WARNING  
 ⚠️ **WARNING:** Cancer and Reproductive Harm.  
 ⚠️ **AVERTISSEMENT:** Peut Causer le Cancer et des Dommages au Système Reproducteur.  
 ⚠️ **ADVERTENCIA:** Cáncer y Daño Reproductivo.  
[www.p65warnings.ca.gov](http://www.p65warnings.ca.gov) PR 201714



Models 18202-0150, 18201-0200, and 18201-0300 include union halves as shown.

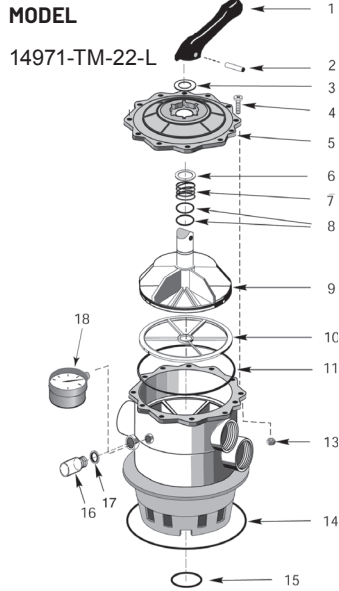


Models 18202-0150H and 18202-0200H require hose connector kits.

Item	Part No.	Description	US List	Can. List
<b>MULTIPORT SIDE MOUNT 1-1/2 &amp; 2 IN. VALVE</b>				
1	14971-SM10E1	Handle	61.35	73.72
2	32155-4136	Label Decal (2 in. Valve) (18201-0200 & 18201-0200H)	CALL	CALL
2	32155-4133	Label Decal (1.5 in. Valve) (18202-0150 & 18202-0150H)	CALL	CALL
2	32155-4171	Label Decal (1.5 in. Valve) (18202-0250)	CALL	CALL
3	14971-SM10E3	Washer	17.53	21.06
4	14971-SM10E6	Valve Cover (1-1/2 in. Valve)	119.97	144.16
4	14971-SM20E6	Valve Cover (2 in. Valve)	94.69	113.78
5	14971-SM20E7	Cover O-Ring (2 in. Valve)	26.07	31.33
6	14971-SM10E8	Washer	17.53	21.06
7	14971-SM10E9	Spring	76.59	92.03
8	14971-SM10E10	O-Ring	15.72	18.89
9	14971-SM10E11	Plug (1-1/2 in. Valve)	103.31	124.14
9	14971-SM20E11	Plug (2 in. Valve)	98.38	118.21
10	14971-SM10E12	Spider Gasket (1-1/2 in. Valve)	31.56	37.92
10	14971-SM20E12	Spider Gasket (2 in. Valve)	68.93	82.83
11	U178-920PZ	1/4 in. NPT Plug w/ O-Ring	8.07	9.70
12	14971-SM10E17	Sight Glass	26.57	31.93
12A	14971-SM10E16	Sight Glass Gasket	9.73	11.69
13	14971-SM10E14	Nut (6 for 1-1/2 in., 10 for 2 in.)	4.12	4.95
14	14971-SM10E4	Bolt (6 for 1-1/2 in., 10 for 2 in.)	6.18	7.43
15	14971-SM10E2	Handle Pin	24.77	29.76
16	U9-362	O-Ring (-0150, -0200 only)	7.94	9.54

# MULTIPOINT 2 IN. VALVES

## REPLACEMENT PARTS FOR STA-RITE VALVES



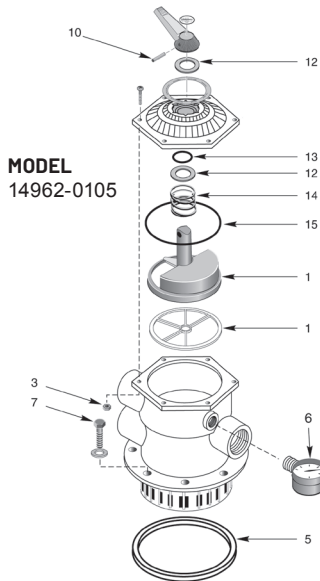
MODEL  
14971-TM-22-L

Item	Part No.	Description	US List	Can. List
<b>MULTIPOINT 2 IN. VALVE</b>				
1	14971-SM10E1	Handle (ABS)	61.35	73.72
2	14971-SM10E2	Pin (S.S. 304)	24.77	29.76
3	14971-SM10E3	Washer	17.53	21.06
4	14971-SM10E4	Screw (S.S. 304)	6.18	7.43
5	14971-SM20E6	Valve Cover (ABS)	94.69	113.78
6	14971-SM10E8	Washer	17.53	21.06
7	14971-SM10E9	Spring (S.S. 304)	76.59	92.03
8	14971-SM10E10	O-Ring (Mitrile)	15.72	18.89
9	14971-SM20E11	Plug & Gasket Assembly	98.38	118.21
10	14971-SM20E12	Gasket (Kratom)	68.93	82.83
11	14971-SM20E7	O-Ring, Cover	26.07	31.33
13	14971-SM10E14	Nut, Hex (S.S. 304)	4.12	4.95
14	U9-369Z	O-Ring, Tank Flange	26.55	31.90
15	35505-1243	O-Ring, Stand Pipe	5.61	6.74
16	14971-SM10E17	Sight Glass	26.57	31.93
17	14971-SM10E16	Sight Glass, Gasket	9.73	11.69
18	15060-0000T	Gauge, Pressure	72.02	86.54
<b>NOT SHOWN</b>				
	14971-SM20E50	Key Assembly Items 1-10	596.23	716.43

CALIFORNIA PROPOSITION 65 WARNING  
 ⚠️ **WARNING:** Cancer and Reproductive Harm.  
 ⚠️ **AVERTISSEMENT:** Peut Causer le Cancer et des Dommages au Système Reproducteur.  
 ⚠️ **ADVERTENCIA:** Cáncer y Daño Reproductivo.  
[www.p65warnings.ca.gov](http://www.p65warnings.ca.gov)

# MULTIPOINT TOP MOUNT 1-1/2 IN. VALVES

## REPLACEMENT PARTS FOR STA-RITE VALVES



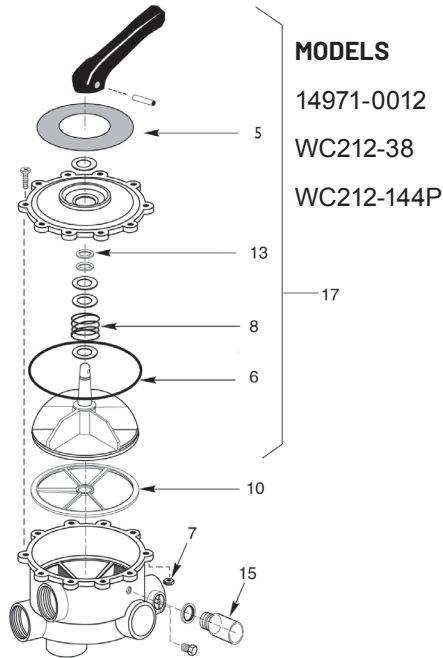
MODEL  
14962-0105

Item	Part No.	Description	US List	Can. List
<b>MULTIPOINT TOP MOUNT 1-1/2 IN. VALVE</b>				
1	14962-0017	Plug with Gasket	CALL	CALL
3	98211400Z	Hex Nut, 1/4-20 S.S.	4.36	5.24
5	14962-0021	Square Ring, BUNA-N	32.52	39.08
6	15060-0000T	Pressure Gauge - 0-60 PSI	72.02	86.54
7	U30-74SSZ	Bolt, 3/8-16 x 1 in. S.S.	7.00	8.41
10	35857-0021	Dowel Pin, 5/16 x 2-1/2 in. S.S.	10.80	12.98
12	14962-0005	Washer, Celcon	6.27	7.53
13	35505-1228	O-Ring, Parker #2-216, BUNA-N	6.71	8.06
14	14962-0011	Spring, Compression	31.90	38.33
15	35505-1272	O-Ring, Parker #2-255	18.05	21.69
<b>NOT SHOWN</b>				
	14962-0035	Spring and O-ring Kit, includes items 12, 13, 14 & 15	66.72	80.17

CALIFORNIA PROPOSITION 65 WARNING  
 ⚠️ **WARNING:** Cancer and Reproductive Harm.  
 ⚠️ **AVERTISSEMENT:** Peut Causer le Cancer et des Dommages au Système Reproducteur.  
 ⚠️ **ADVERTENCIA:** Cáncer y Daño Reproductivo.  
[www.p65warnings.ca.gov](http://www.p65warnings.ca.gov)

# MULTIPOINT SIDE MOUNT 2 IN. VALVE PLUG & GASKET KIT

## REPLACEMENT PARTS FOR STA-RITE VALVES



### MODELS

14971-0012

WC212-38

WC212-144P

Item	Part No.	Description	US List	Can. List
<b>MULTIPOINT 2 IN. VALVE PLUG &amp; GASKET KIT</b>				
5	60000-0706	Label	CALL	CALL
6	35505-1412	O-Ring <sup>1</sup>	70.99	85.30
7	35407-0071	Nut, 1/4 -20 S.S.	8.46	10.17
8	14971-0006	Spring <sup>1</sup>	144.12	173.17
10	14971-0005	Gasket, Valve Seat	137.56	165.29
13	57006800	O-Ring <sup>1</sup>	3.12	3.75
15	14971-0009	Sight Glass	45.82	55.06
17	77704-0100	Cover and Plug Assembly Kit, includes items 5 & 9	CALL	CALL

<sup>1</sup> Kit includes 2 hoses, 4 clamps.

CALIFORNIA PROPOSITION 65 WARNING

⚠ **WARNING:** Cancer and Reproductive Harm.  
 ⚠ **AVERTISSEMENT:** Peut Causer le Cancer et des Dommages au Système Reproducteur.  
 ⚠ **ADVERTENCIA:** Cáncer y Daño Reproductivo.  
[www.p65warnings.ca.gov](http://www.p65warnings.ca.gov)

# FULLFLOW® VALVES

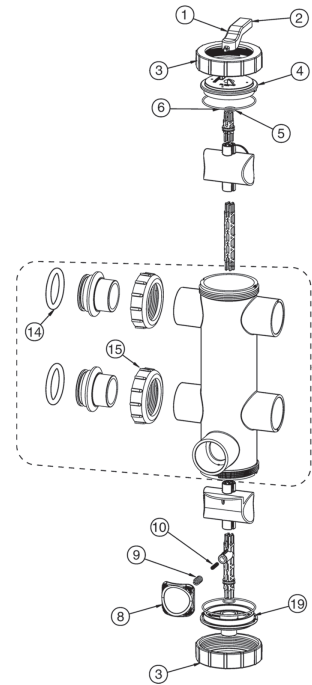
## REPLACEMENT PARTS

Item	Part No.	Description	US List	Can. List
<b>FULLFLOW VALVES</b>				
1	278006	Handle	CALL	CALL
2	072536	Screw	CALL	CALL
3	278020	Cap, nut, 2 req.	CALL	CALL
4	278021	Cap, insert - top.	CALL	CALL
5	192039Z	O-ring #2-116 Bunan, 2 req.	4.04	4.85
6	275300	O-ring #2-154 Bunan 70, 2 req.	0.90	1.08
8	278019	Seal, waste.	CALL	CALL
9	271065	Spring, .42 o. d..	6.50	7.81
10	270006	Spring, .24 o. d..	10.34	12.42
14	274494	O-ring, adapter, 2 req.	CALL	CALL
15	274440Z	Nut, adapter, 2 req. <sup>1</sup>	26.35	31.66
19	278022	Cap insert, bottom	CALL	CALL
20	270011	Shaft Assembly	CALL	CALL

<sup>1</sup> Items may not be purchased separately, order item #20, Shaft Assy.

CALIFORNIA PROPOSITION 65 WARNING

⚠ **WARNING:** Cancer and Reproductive Harm.  
 ⚠ **AVERTISSEMENT:** Peut Causer le Cancer et des Dommages au Système Reproducteur.  
 ⚠ **ADVERTENCIA:** Cáncer y Daño Reproductivo.  
[www.p65warnings.ca.gov](http://www.p65warnings.ca.gov)



FullFlow D. E. Valve  
263011  
7-1.2 in. Centerline  
Filters

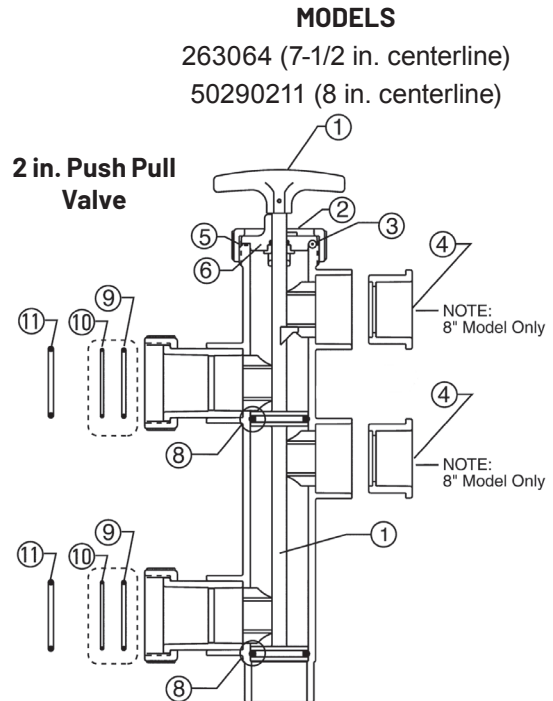
## PUSH PULL VALVE REPLACEMENT PARTS FOR AMERICAN VALVES

Item	Part No.	Description	US List	Can. List
<b>PUSH PULL VALVES</b>				
1	51013811	Valve stem complete, w/ handle	CALL	CALL
2	51013011	Nut	43.03	51.70
3	51013500	O-ring, nut	10.69	12.85
4	51013111	Reducer bushing, 2 in. male x 1-1/2 in.	41.75	50.17
5	6020006	O-ring, cap	0.05	0.06
6	51012911	Cap	CALL	CALL
8	51005000	O-ring, valve stem, 2 in., 2 req.	11.08	13.31
9	273062	O-ring, bulkhead, 8 in. model only	2.57	3.09
10	51013500	O-ring, bulkhead, 8 in. model only	10.69	12.85
11	274494	O-ring, bulkhead, 7-1/2 in. model only	CALL	CALL

Both items 9 and 10 are included in the kit for multiple applications. Choose only the one set appropriate for your application.

CALIFORNIA PROPOSITION 65 WARNING

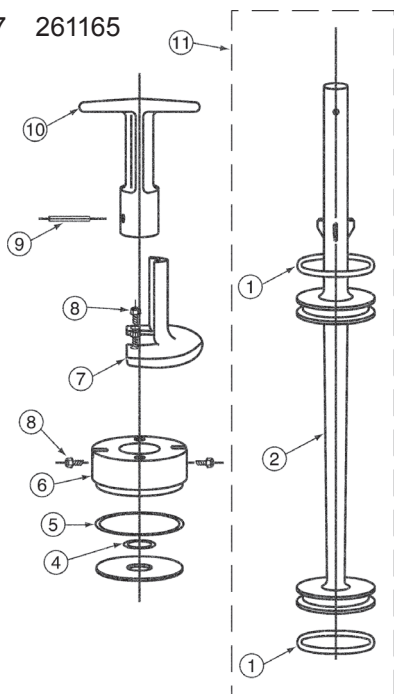
⚠ **WARNING:** Cancer and Reproductive Harm.  
 ⚠ **AVERTISSEMENT:** Peut Causer le Cancer et des Dommages au Système Reproducteur.  
 ⚠ **ADVERTENCIA:** Cáncer y Daño Reproductivo.  
[www.p65warnings.ca.gov](http://www.p65warnings.ca.gov)



## 2 IN. PVC SLIDE VALVE

### REPLACEMENT PARTS FOR SLIDE VALVES

**MODELS**  
261047 261165



Item	Part No.	Description	US List	Can. List
<b>2 IN. PVC SLIDE VALVE</b>				
1	273090	O-ring - 1-1/2 in. i.d. x 3/16 in. dia., 2 req.	4.19	5.03
2	273106Z	Piston Shaft	163.26	196.17
4	JV18	O-ring Kit	1.72	2.07
5	273062	O-ring - 2-1/8 in. i. d. x 1/8 in. dia.	2.57	3.09
6	273077Z	Plug - 5/8 in. i.d. x 2-3/8 in. o.d.	9.52	11.44
7	273064Z	Position Bracket	73.82	88.70
8	273071Z	Screw - #14 - 18-8 s/s, 4 req.	2.75	3.30
9	273063Z	Pin - 1/8 in. dia. x 1-1/8 in. long s/s.	4.66	5.60
10	273089	Handle for plastic shaft - 5/8 in. i.d.	27.10	32.56
11	273241Z	Piston rod assy.	153.33	184.24
<b>NOT SHOWN</b>				
	154566Z	Sight glass - 2 in. clear	23.92	28.74

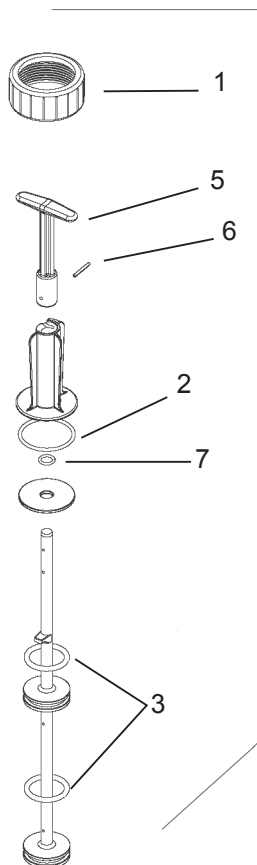
CALIFORNIA PROPOSITION 65 WARNING

⚠ **WARNING:** Cancer and Reproductive Harm.  
 ⚠ **AVERTISSEMENT:** Peut Causer le Cancer et des Dommages au Système Reproducteur.  
 ⚠ **ADVERTENCIA:** Cáncer y Daño Reproductivo.

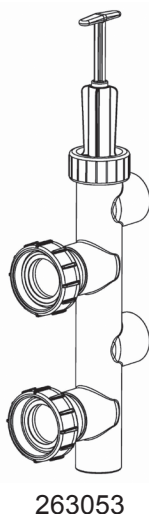
[www.p65warnings.ca.gov](http://www.p65warnings.ca.gov)
PN 260314A

## SLIDE VALVES

### REPLACEMENT PARTS FOR SLIDE VALVES



**MODELS**  
263064  
263052 263078  
263053 263079



Item	Part No.	Description	US List	Can. List
<b>SLIDE VALVE</b>				
1	270141	Nut, Black SF PMP/VLV PSHPL	31.19	37.48
2	273062	O-ring	2.57	3.09
3	51005000	O-ring	11.08	13.31
4	263055	Kit, Piston Shaft Assembly	168.85	202.89
5	270134Z	Handle	27.11	32.58
6	273063Z	Pin	4.66	5.60
7	6020006	O-ring	0.05	0.06
<b>NOT SHOWN</b>				
	263054	Kit, O-rings. Includes all valve O-rings.	33.34	40.06

CALIFORNIA PROPOSITION 65 WARNING

⚠ **WARNING:** Cancer and Reproductive Harm.  
 ⚠ **AVERTISSEMENT:** Peut Causer le Cancer et des Dommages au Système Reproducteur.  
 ⚠ **ADVERTENCIA:** Cáncer y Daño Reproductivo.

[www.p65warnings.ca.gov](http://www.p65warnings.ca.gov)
PN 260314A

# PLASTIC SLIDE VALVE

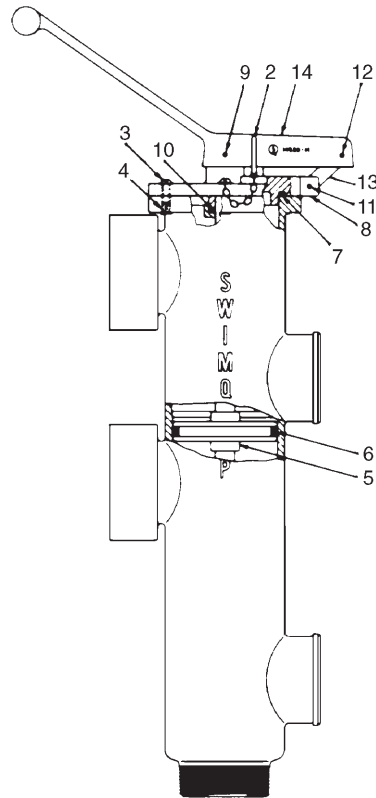
## REPLACEMENT PARTS FOR STA-RITE PLASTIC SLIDE VALVE



### MODEL

WC212-134P

14936-0000



Item	Part No.	Description	US List	Can. List
<b>PLASTIC SLIDE VALVE</b>				
2	WC30-84	Lock Pin Assembly	24.77	29.76
3	37107-0085	Screw	6.98	8.39
4	34302-0518	Brass Insert	CALL	CALL
5	14930-0033	Piston Assembly	CALL	CALL
6	35505-1318Z	O-Ring	8.13	9.77
7	35505-1246Z	O-Ring	6.98	8.39
8	14930-0012Z	Index Plate	50.44	60.61
9	51009500Z	Spring Pin	CALL	CALL
10	35505-1116Z	O-Ring	6.71	8.06
11	51009500Z	Spring Pin	CALL	CALL
12	35817-0056	Spring Pin	7.48	8.99
13	14930-0016	Lever Linkage	6.44	7.74
14	14930-0014	Handle	155.37	186.69

#### CALIFORNIA PROPOSITION 65 WARNING

⚠ **WARNING:** Cancer and Reproductive Harm.  
 ⚠ **AVERTISSEMENT:** Peut Causer le Cancer  
 et des Dommages au Système Reproducteur.  
 ⚠ **ADVERTENCIA:** Cáncer y Daño Reproductivo.

www.p65warnings.ca.gov.

PH201714A

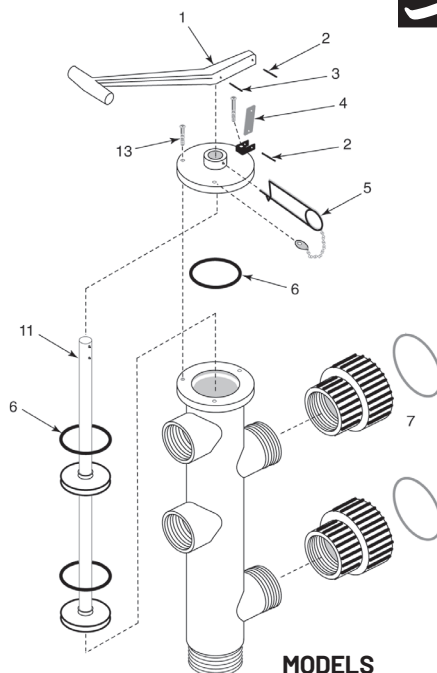


# BRONZE VALVES

## REPLACEMENT PARTS FOR STA-RITE VALVES



Item	Part No.	Description	US List	Can. List
<b>BRONZE VALVE</b>				
1	14821-0005	Lever Handle	102.13	122.72
2	35817-0056	Spring Pin	7.48	8.99
3	51009500Z	Spring Pin	CALL	CALL
4	14821-0008	Linkage	13.97	16.79
5	WC30-84	Lock Pin Assembly	24.77	29.76
6	35505-1401	O-Ring	8.70	10.45
7	77703-0100	Union Kit	79.33	95.32
8	38405-4089	Union Adapter	CALL	CALL
11	14819-0011	Piston Assembly, 1-1/2 in.	246.12	295.74
11	14823-0011	Piston Assembly, 2 in.	279.39	335.72
13	37062-0130	Screw	7.00	8.41
<b>NOT SHOWN</b>				
	35505-1116	O-Ring	6.71	8.06



### MODELS

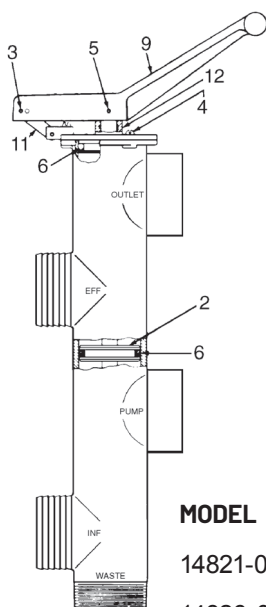
WC212-135D – 1-1/2 in.

WC212-136D – 2 in.

CALIFORNIA PROPOSITION 65 WARNING  
 ⚠️ **WARNING:** Cancer and Reproductive Harm.  
 ⚠️ **AVERTISSEMENT:** Peut Causer le Cancer et des Dommages au Système Reproducteur.  
 ⚠️ **ADVERTENCIA:** Cáncer y Daño Reproductivo.  
[www.p65warnings.ca.gov](http://www.p65warnings.ca.gov) PN 20171A

# BRONZE SLIDE VALVES

## REPLACEMENT PARTS FOR STA-RITE VALVES



### MODEL

14821-0000 – 1-1/2 in.

14826-0000 – 2 in.

Item	Part No.	Description	US List	Can. List
<b>BRONZE SLIDE VALVE</b>				
2	14819-0011	Piston Assembly with O-Rings	246.12	295.74
3	35817-0056	Spring Pin	7.48	8.99
4	37062-0130	Screw	7.00	8.41
5	51009500Z	Spring Pin	CALL	CALL
6	35505-1401	O-Ring (Model 14821-6000)	8.70	10.45
6	35505-1313	O-Ring	7.88	9.47
9	14821-0005	Lever Handle	102.13	122.72
11	14821-0008	Linkage	13.97	16.79
12	35505-1116	O-Ring	6.71	8.06

CALIFORNIA PROPOSITION 65 WARNING  
 ⚠️ **WARNING:** Cancer and Reproductive Harm.  
 ⚠️ **AVERTISSEMENT:** Peut Causer le Cancer et des Dommages au Système Reproducteur.  
 ⚠️ **ADVERTENCIA:** Cáncer y Daño Reproductivo.  
[www.p65warnings.ca.gov](http://www.p65warnings.ca.gov) PN 20171A

