

IMPORTANT WARNINGS AND SAFETY INSTRUCTIONS

⚠ WARNING **RISK OF ELECTRICAL SHOCK. BEFORE REMOVING THE HIGH VOLTAGE COVER PANEL FROM THE ENCLOSURE SWITCH OFF THE MAIN POWER AT THE HOME AT THE MAIN CIRCUIT BREAKER BOX.**

Most states and local codes regulate the construction, installation, and operation of public pools and spas, and the construction of residential pools and spas. It is important to comply with these codes, many of which directly regulate the installation and use of this product. Consult your local building and health codes for more information.



IMPORTANT NOTICE - Attention: This Installation Guide contains important information about the installation, operation and safe use of this product. This Guide should be given to the owner and/or operator of this equipment. Before installing this product, read and follow all warning notices and instructions in this Guide.

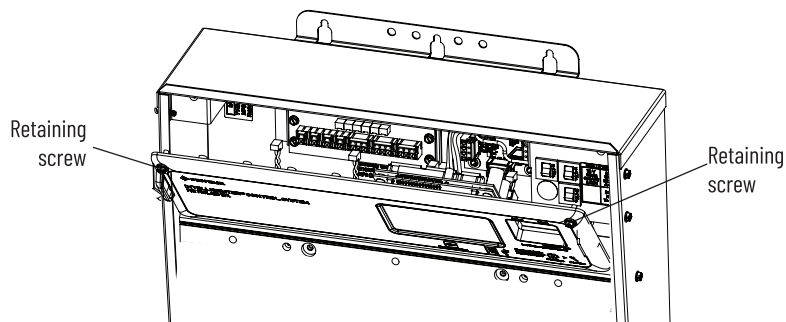
Failure to follow warnings and instructions can result in severe injury, death, or property damage. Call **(800.831-7133)** for additional free copies of these instructions.

For more information visit www.pentair.com.

IMPORTANT! LITHIUM BATTERY DISPOSAL: Please dispose of the Wireless Remote lithium battery at your local battery recycling facility as required by your local and state regulation. DO NOT dispose of the lithium battery in your garbage or recycling containers.

Open/Close the Outdoor Control Panel

1. **TURN OFF POWER TO ALL POOL AND SPA EQUIPMENT BEFORE STARTING.**
2. Unlatch the front door latch. Open the door of the Load Center or Power Center.
3. Loosen the two retaining screws securing the existing control panel. Fold down the panel to access the circuit board low voltage connections.



IntelliCenter Control System Control Outdoor Panel

P/N 523483.A

Battery Removal

1. Remove the Temperature Sensors screw terminal connector and wires from the circuit board. Be careful not to disconnect the wires from the terminal.
2. Press the tab on the 2-wire battery connector and pull upward to release the connector from the circuit board.
3. While holding the battery with your fingers, press the front battery tab and pull upward to release the battery from the two rear retaining tabs.

Battery Installation

1. Insert the two rear battery tabs into the circuit board slots. Press down to engage the front locking tab and secure the battery in place.
2. Insert the 2-wire battery connector into the circuit board socket.
3. Insert the Temperature Sensors screw terminal connector and wires onto the terminal pins.
4. Close the Outdoor Control Panel and secure with the two retaining screws. See front page.

