

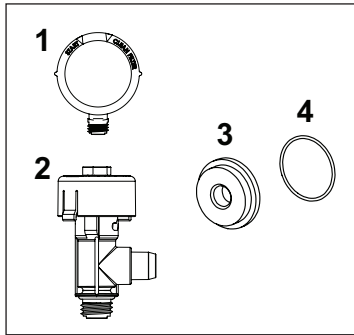


BIOSHIELD® UV DISINFECTION STERILIZER

AIR RELIEF KIT INSTALLATION GUIDE

Kit Contents

1. Pressure Gauge
2. Air Relief Valve
3. Valve Seal Plate
4. Valve Seal Plate O-Ring



IMPORTANT SAFETY INSTRUCTIONS! PLEASE READ PRIOR TO INSTALLATION AND OPERATION!

⚠ DANGER FAILURE TO FOLLOW ALL INSTRUCTIONS AND WARNINGS CAN RESULT IN SERIOUS BODILY INJURY OR DEATH. **THIS UV SYSTEM SHOULD BE INSTALLED AND SERVICED ONLY BY A QUALIFIED POOL SERVICE PROFESSIONAL. INSTALLERS, POOL OPERATORS AND OWNERS MUST READ THESE WARNINGS AND ALL INSTRUCTIONS IN THE OWNER'S MANUAL BEFORE USING THIS PRODUCT. THESE WARNINGS AND THE OWNER'S MANUAL MUST BE LEFT WITH THE POOL OWNER.**

⚠ DANGER If the unit shows any sign of water leakage, immediately power down the unit.

⚠ WARNING Bioshield UV systems are designed for low-pressure water applications **DO NOT** use these units for any application outside of their intended use. The use of attachments not recommended or sold by the original manufacturer may cause unsafe conditions and may void any warranty.

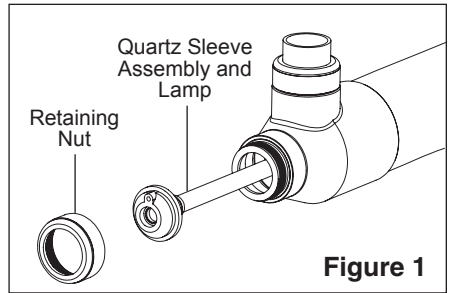
SAVE THESE INSTRUCTIONS!

Introduction

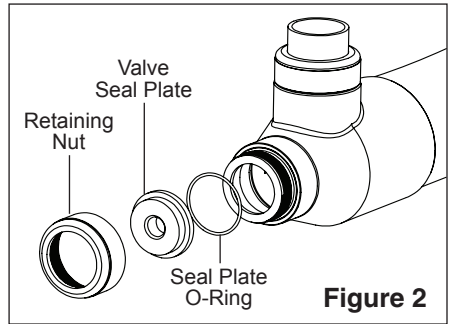
The Bioshield® UV Disinfection Sterilizer Air Relief Kit contains everything you need to install the air relief valve and pressure gauge on a residential Bioshield system.

Removing the Quartz Sleeve

1. Disconnect all power to the UV sterilizer and pool pump at the circuit breaker.
2. Relieve any residual pressure that may remain in the system.
3. Unthread the black Retaining Nut and gently slide the Quartz Sleeve Assembly and Lamp out of the UV vessel (see **Figure 1**).



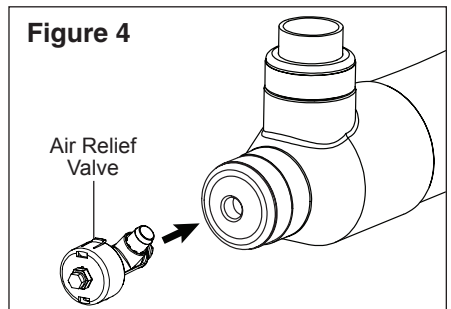
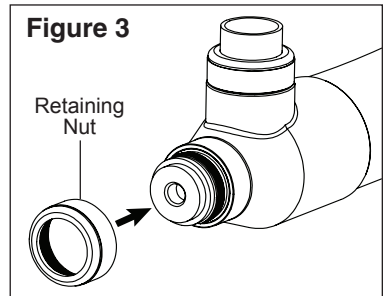
Note: Place the Retaining Nut to the side; it will be used during installation of the air relief kit. Place the Quartz Sleeve Assembly and Lamp inside the packing tube that the lamp was originally shipped in. This will protect the quartz sleeve from damage and fouling.



Installing the Air Relief Kit

All connections made while installing the air relief kit should be hand tight. Loose connections will result in leaks from the retaining nut or the mating end of the air relief valve.

1. Position the Seal Plate O-Ring and Valve Seal Plate onto the UV vessel (see **Figure 3**).
2. Thread the retaining nut down on to the UV vessel and hand tighten down on to the Valve Seal Plate (see **Figure 3**).
3. Thread the Air Relief Valve into the Valve Seal Plate until hand tight (see **Figure 4**).



– Continue onto Next Page –

Installing the Air Relief Kit (cont.)

4. Remove the nut from the top of the Air Relief Valve with a 1/4" adjustable or open-end wrench.
5. Apply thread seal tape to the threads of the pressure gauge, making sure not to cover up the opening in the valve gauge's stem.
6. Carefully thread the pressure gauge into the top of the Air Relief Valve. Tighten the pressure gauge until secure which should take about 4 to 6 complete turns (see **Figure 5**).

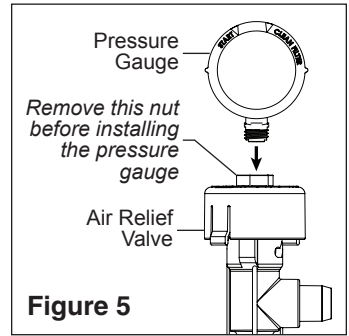


Figure 5

Note: Always position the gauge so that the face of the gauge can be read easily.

To remove the Air Relief Kit, follow the instructions above in reverse order. To reinstall the quartz sleeve and UV lamp, refer to "Quartz Sleeve Assembly and Installation", found in the Bioshield® UV Disinfection Sterilizer Installation and User's Guide.

Cleaning the Air Relief Valve

The Air Relief Valve may become clogged or dirty after prolonged use and may require periodic cleaning. Below are instructions on disassembling and cleaning the valve.

1. Open the Air Relief Valve until it snaps into the full open position and wait for all air to be released.
2. With the Air Relief Valve attached to the UV sterilizer, pull out the Locking Tabs on the sides of the valve and remove the Valve Stem and Cover Assembly with a counterclockwise turn and lifting motion (see **Figure 6**).
3. Clean debris from the valve stem and body.
4. Ensure that the air passage is open by inserting a 5/16" drill bit through the Valve Body.
5. Inspect the valve's two O-rings and ensure they are both free of damage, properly positioned (see **Figure 6**), and lubricated with a silicone-based lubricant.
6. Reinstall the Valve Stem and Cover Assembly with a downward and clockwise motion until it snaps into position.

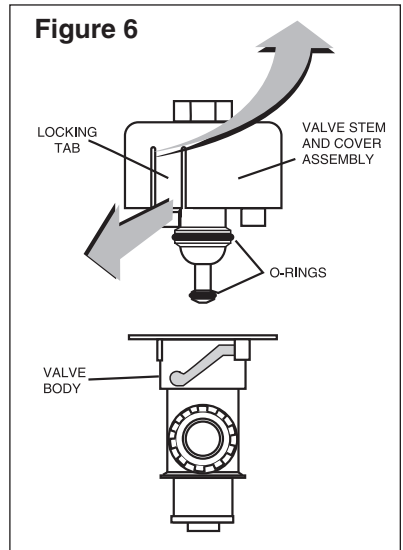


Figure 6

IMPORTANT SAFETY INSTRUCTIONS

READ AND FOLLOW ALL INSTRUCTIONS

SAVE THESE INSTRUCTIONS



1620 HAWKINS AVE., SANFORD, NC 27330 • (919) 566-8000
10951 WEST LOS ANGELES AVE., MOORPARK, CA 93021 • (805) 553-5000
WWW.PENTAIRPOOL.COM

All Pentair trademarks and logos are owned by Pentair or one of its global affiliates. Pentair Aquatic Systems® and Bioshield® are registered trademarks of Pentair Water Pool and Spa, Inc. and/or its affiliated companies in the United States and/or other countries. Unless expressly noted, names and brands of third parties that may be used in this document are not used to indicate an affiliation or endorsement between the owners of these names and brands and Pentair Water Pool and Spa, Inc. Those names and brands may be the trademarks or registered trademarks of those third parties. Because we are continuously improving our products and services, Pentair reserves the right to change specifications without prior notice. Pentair is an equal opportunity employer.

© 2016 Pentair Water Pool and Spa, Inc. All rights reserved. This document is subject to change without notice.



P/N 490234 REV. A 6/24/16