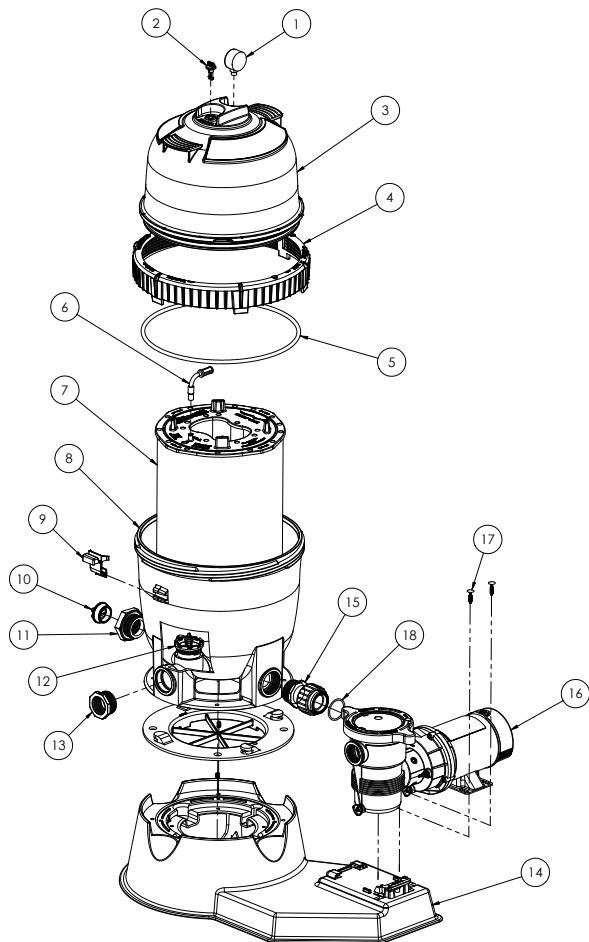


PLM FILTER SYSTEMS

REPLACEMENT PARTS FOR SYSTEMS MANUFACTURED 2009 AND BEYOND



Note: System shown with 155333P Base and OptiFlo® Pump

Item	Part No.	Description
PLM FILTER SYSTEMS 2009 AND BEYOND		
1	15060-0000T	Pressure Gauge
2	25010-0200	Air Relief Valve Assembly
3	27001-0020S	Tank Shell Upper Half
4	27001-0054S	Posi-Lok Ring
5	27001-0061S	Body O-Ring
6	24800-0121	Air Bleed Assembly
7	27002-0100S	Filter Module - PLM100
7	27002-0150S	Filter Module - PLM150
8	27001-0009S	Tank Shell Lower Half
9	27001-0051	Safety Latch
10	27001-0022	1-1/2 in. NPT Plug
11	24900-0510	Adapter Fitting
12	27001-0130S	Spring Check Valve
13	U78-820P3	2 in. to 1-1/2 in. Pipe Reducer
14	155331P	Systems Base (ABG/JWP)
14	155331CP	Systems Base, CSA (ABG/JWP)
14	155333P	Systems Base (OptiFlo)
14	155333CP	Systems Base, CSA (OptiFlo)
15	155403	Pump to Filter Hose Assembly (JWP)
15	155374	Pump to Filter Assembly (OptiFlo) ²
15	155765	Pump to Filter Assembly (OptiFlo) ³
16		Pump
17	710009	Base Hardware Kit
18	354571	O-Ring, Union (OptiFlo)
18	U9-226Z	O-Ring, Union (JWP)
NOT SHOWN		
	155151	Kit, Flex Hose, 6 ft. ¹
	155005	Kit, Flex Hose, 12 ft. ¹

CALIFORNIA PROPOSITION 65 WARNING

⚠ **WARNING:** Cancer and Reproductive Harm.
 ⚠ **AVERTISSEMENT:** Peut Causer le Cancer et des Dommages au Système Reproducteur.
 ⚠ **ADVERTENCIA:** Cáncer y Daño Reproductivo.

www.p65warnings.ca.gov. PK20073.4

¹ Replacement Hose Kits include two (2) hoses, four (4) hose adaptors and four (4) hose clamps.

² When replacement OptiFlo pump is used on base 155333P and 155333CP.

³ When replacement OptiFlo pump is used on base 155331P and 155331CP.