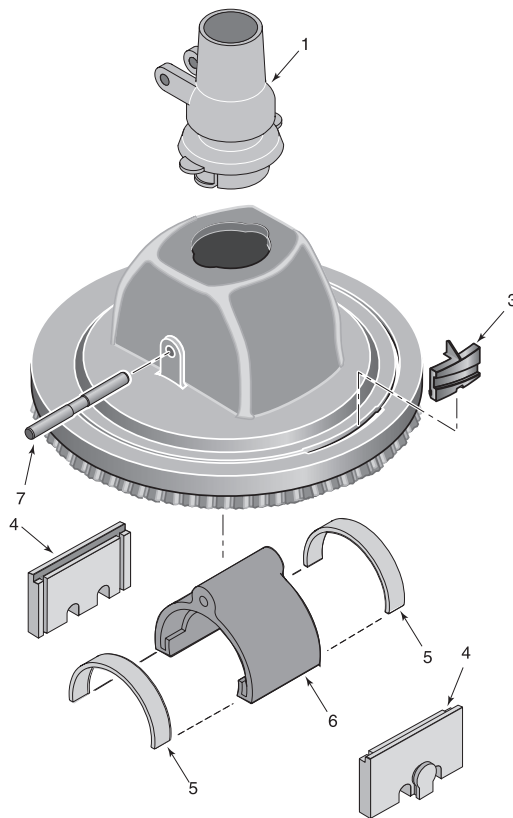


KREEPY KRAULY® 'LIL SHARK™ 2012 AND EARLIER MODELS

CLEANER REPLACEMENT PARTS



Item	Part No.	Qty.	Description
LIL SHARK REPLACEMENT PARTS			
1	GW9012	1	Swivel Assembly
3	41100-0026	1	Ring Adjuster
4	41100-0027	1	Oscillator Impact Bumper (Pkg of 2)
5	GW9004	1	Oscillator Seals (Pkg of 2)
6	GW9003	1	Oscillator Kit (Includes Seals)
7	GW9002	1	Axle Shaft
NOT SHOWN			
	GW9014	1	Flow Director
	GW9018	1	Vacuum Regulator
	GW9015	1	Reducer Cone
	GW9019	1	Unidapt Handle
	GW9510	1	Replacement Hose Kit (Includes 1 each 20 ft., 8 ft. and 4 ft. Hose)

Note: If body fails, order GW8000.