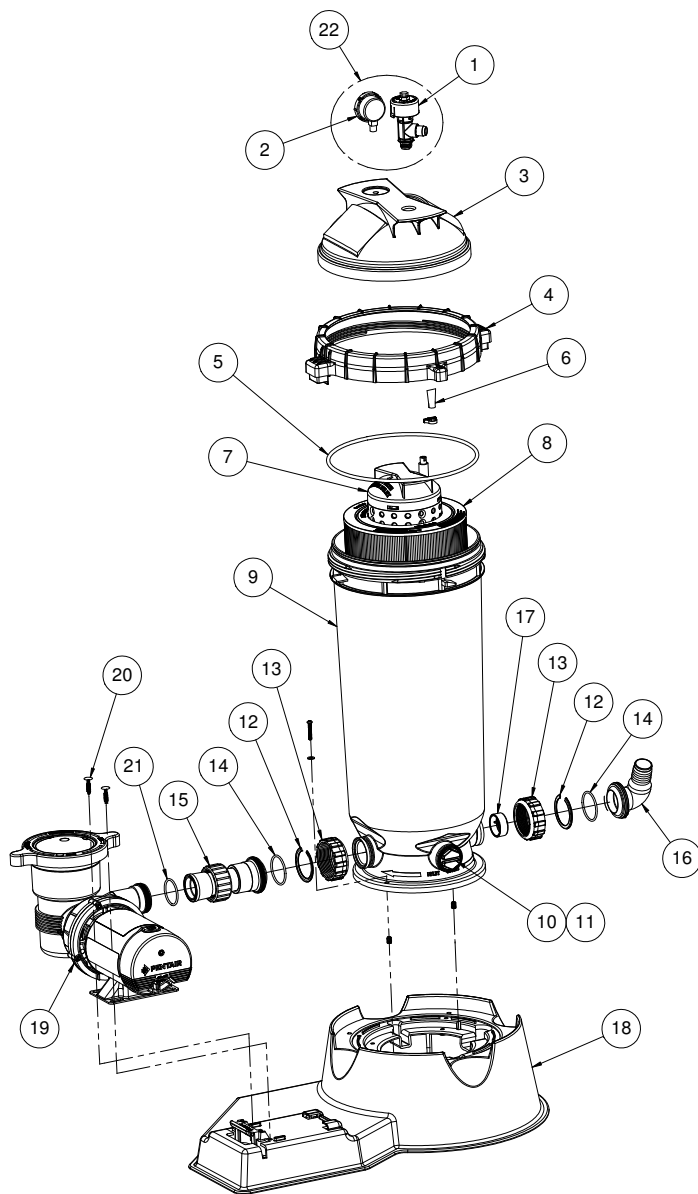


CLEAN & CLEAR® FILTER SYSTEMS

REPLACEMENT PARTS FOR SYSTEMS MANUFACTURED 2009 AND BEYOND

Item	Part No.	Description
CLEAN & CLEAR FILTER SYSTEMS 2009 AND BEYOND		
1	98209800	High Flow Manual Relief Valve
2	190058	Pressure Gauge
3	178553	Lid, 50/100/125 sq. ft., Almond
3	178561	Lid, 75/150/175/200 sq. ft., Almond
4	59052900	Locking Ring Assy
5	87300400	Body O-Ring
6	59016200	Air Bleed Sock Kit
7	59053500	Center Core, 50 sq. ft.
7	59053600	Center Core, 75 sq. ft.
7	59053700	Center Core, 100/125 sq. ft.
7	59053800	Center Core, 150/175/200 sq. ft.
8	R173213	Cartridge Element, 50 sq. ft.
8	R173214	Cartridge Element, 75 sq. ft.
8	R173215	Cartridge Element, 100 sq. ft.
8	R178671	Cartridge Element, 125 sq. ft.
8	R173216	Cartridge Element, 150 sq. ft.
8	R178672	Cartridge Element, 175 sq. ft.
8	R173217	Cartridge Element, 200 sq. ft.
9	178562	Tank Bottom, 50/75, Almond
9	178563	Tank Bottom, 100/125/150/175/200, Almd
10	86202000	Drain Cap with O-Ring
11	51005000	O-Ring (Drain Cap)
12	39104500	C-Clip (Union Nut)
13	98212200	Union Nut
14	071426	O-Ring (Union)
15	155372	Pump to Filter Assembly (OptiFlo)
16	79304700	Body swivel 1.5 NPT
16	711006	Outlet Connector
17	51516100	Check Valve Kit
18	155333P	Systems Base
18	155333CP	Systems Base, CSA Pump
19	OptiFlo® Pump Page 556	
20	710009	Base Hardware Kit
21	354571	O-Ring (Union)
22	170095	Air Relief Parts Kit

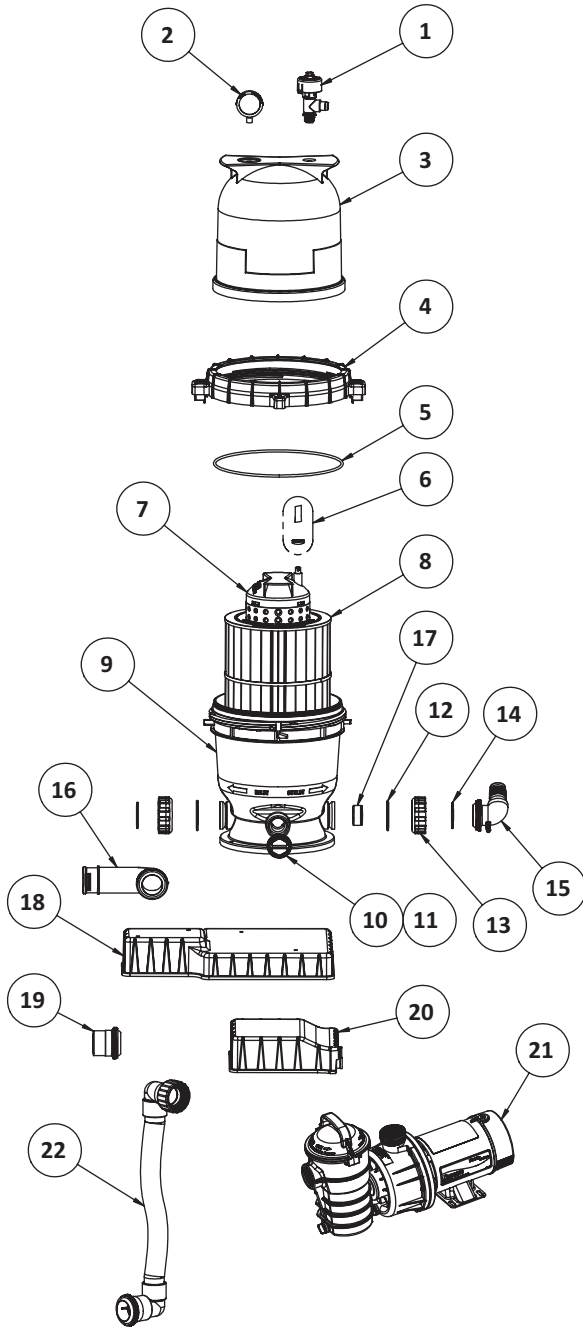
ACCESSORIES		
155151	Replacement Hose Kit, Flex Hose, 6 ft. ¹	
155005	Replacement Hose Kit, Flex Hose, 12ft ¹	



¹ Replacement Hose Kits include two (2) hoses, four (4) hose adaptors and four (4) hose clamps.

CLEAN & CLEAR® FILTER SYSTEMS

REPLACEMENT PARTS FOR SYSTEMS MANUFACTURED PRIOR TO 2009



² Used on filters manufactured after 3/98.

³ Used on filters manufactured before 11/98.

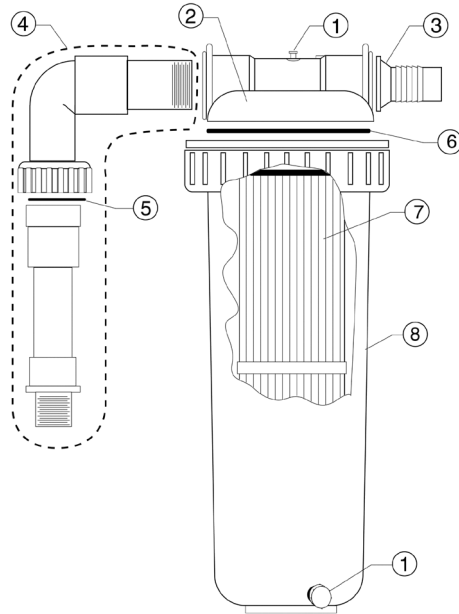
⁴ Used on filters manufactured after 11/98.

⁵ Used on filters manufactured after 1/01 with the Dynamo Pump.

Item	Part No.	Description
CLEAN & CLEAR FILTER SYSTEMS PRIOR TO 2009		
1	98209800	High Flow™ Manual Air Relief Valve (HFMARV)
2	190058	Gauge, pressure
3	178553	Lid 50, 100 sq. ft., almond
3	178561	Lid, 75/150/200 sq. ft., almond
4	59052900	Locking ring assy.
5	87300400	Body O-ring
6	59016200	Air bleed sock kit
7	59053500	Center core 50 sq. ft.
7	59053600	Center core 75 sq. ft.
7	59053700	Center core 100 sq. ft.
7	59053800	Center core 150/200 sq. ft.
8	R173213	Cartridge element 50 sq. ft.
8	R173214	Cartridge element 75 sq. ft.
8	R173215	Cartridge element 100 sq. ft.
8	R173216	Cartridge element 150 sq. ft.
8	R173217	Cartridge element 200 sq. ft.
9	178562	Bottom 50 sq. ft., almond
9	178554	Bottom 75 sq. ft., almond
9	178563	Bottom 100 sq. ft., almond
9	178560	Bottom 150/200 sq. ft., almond
10	51516200	Drain cap ³
10	86202000	Plug 1-1/2 in. drain, w/ O-ring ⁴
11	86300500	Drain cap gasket ³
11	51005000	O-ring, drain cap ⁴
12	39104500	Union nut "C" clip
13	98212200	Union nut
14	071426	O-ring, union
15	39107400	Fitting elbow pump connector ²
16	170037	Fitting elbow pump connector ²
17	51516100	Check valve kit
18	170058	Base assy.
19	79304700	Body swivel w/ 1-1/2 in. NPT internal threads
20	178541	Chlorinator base
20	98200700	Bolt
20	155109	T-nut
21	OptiFlo® Pump page 556; Dynamo® Pump Page 557	
22	175015	Pump/filter connector, Dynamo ⁵
22	170046	Pump/filter connector, OptiFlo
NOT SHOWN		
	354571	O-Ring (Union)

PREDATOR™ II MINI-CELLULAR MEDIA FILTER SYSTEM

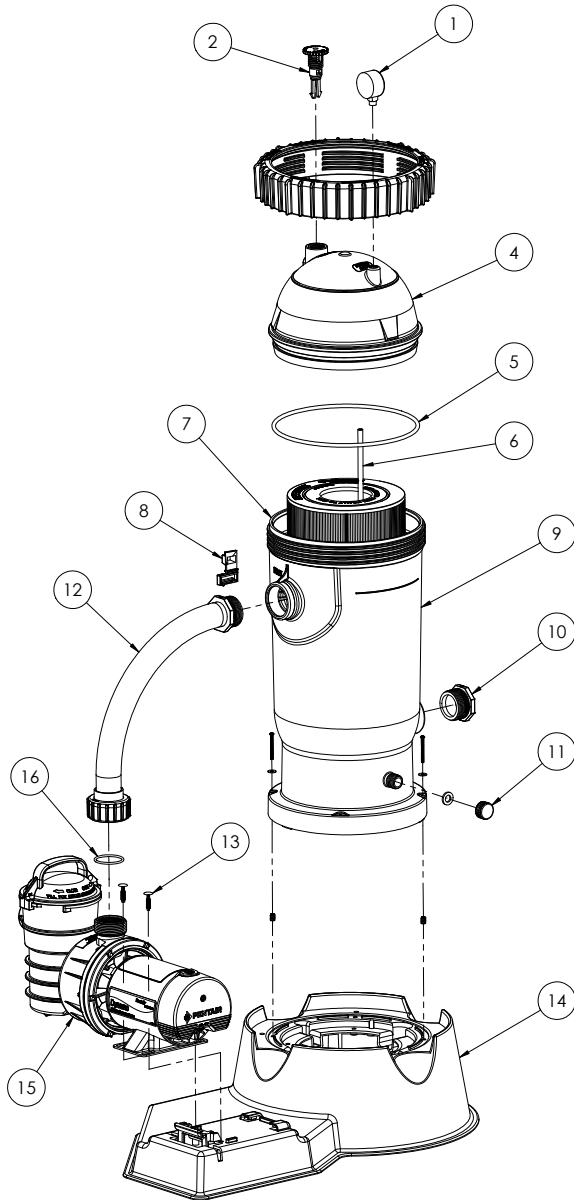
REPLACEMENT PARTS



Item	Part No.	Description
PREDATOR II FILTER SYSTEM		
1	R172224X	Air relief valve
2	R172213XT	Lid
3	510166	Hose adapter
4	59019800	Pump connector
5	071426	O-ring
6	R172223	O-ring
7	R172327	Cartridge
8	R172212X	Body
NOT SHOWN		
	R172214	Lock ring
	98105700	Base assy.

PXC ABOVEGROUND FILTER SYSTEM

REPLACEMENT PARTS FOR MODELS MANUFACTURED 2009 AND BEYOND



Item	Part No.	Description
PXC SYSTEMS 2009 AND BEYOND		
1	15060-0000T	Pressure Gauge
2	24206-0103S	Air Release Valve w/ O-Ring
4	25230-0102S	Filter Lid Assembly, PXC95
4	25230-0103S	Filter Lid Assembly, PXC150
5	25230-0010S	Tank O-Ring
6	25230-0007	Air Bleed Tube
7	25230-0095S	Cartridge Element, 95 sq. ft.
7	25230-0150S	Cartridge Element, 150 sq. ft.
8	25200-0007	Safety Latch
9	25230-0001S	Tank Body
10	U78-820P3	Bushing Reducer
11	32185-7074	Drain Cap with O-Ring
12	155725	Pump to Filter Assembly (JWP)
12	155719	Pump to Filter (Dynamo)
13	710009	Base Hardware Kit
14	155333P	Systems Base
14	155333CP	Systems Base, CSA Pump
15		Pump
16	354571	O-Ring, Union (Dynamo)
16	U9-226	O-Ring, Union (JWP)
ACCESSORIES		
	155151	Kit, Flex Hose, 6 ft. ¹
	155005	Kit, Flex Hose, 12 ft. ¹

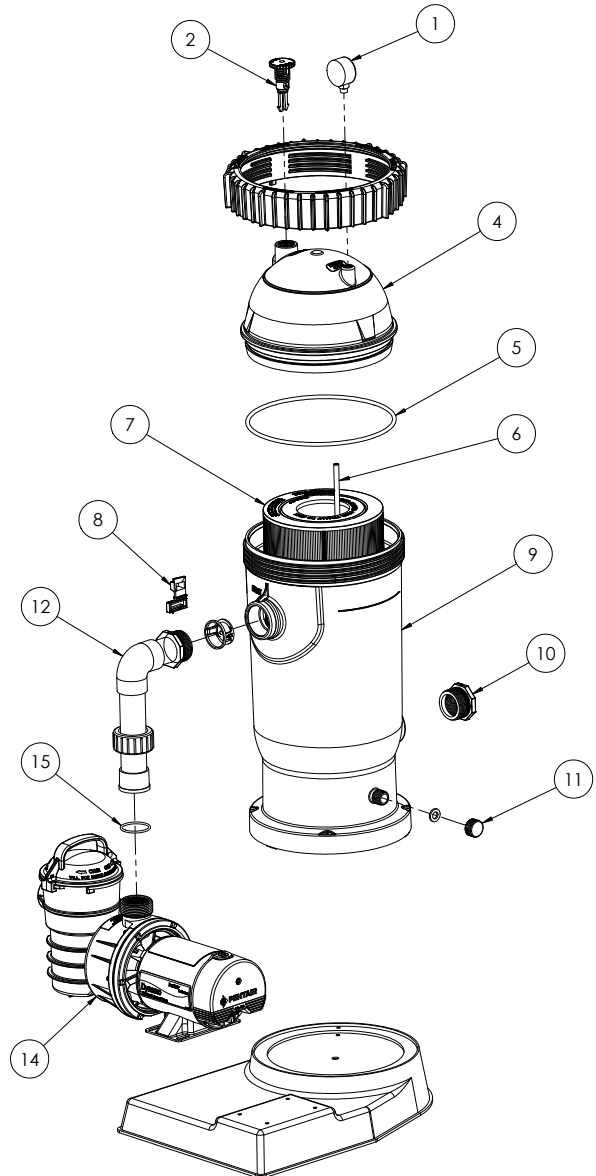
¹ Replacement Hose Kits include two (2) hoses, four (4) hose adaptors and four (4) hose clamps.

PXC ABOVEGROUND FILTER SYSTEM

REPLACEMENT PARTS FOR MODELS MANUFACTURED PRIOR TO 2009



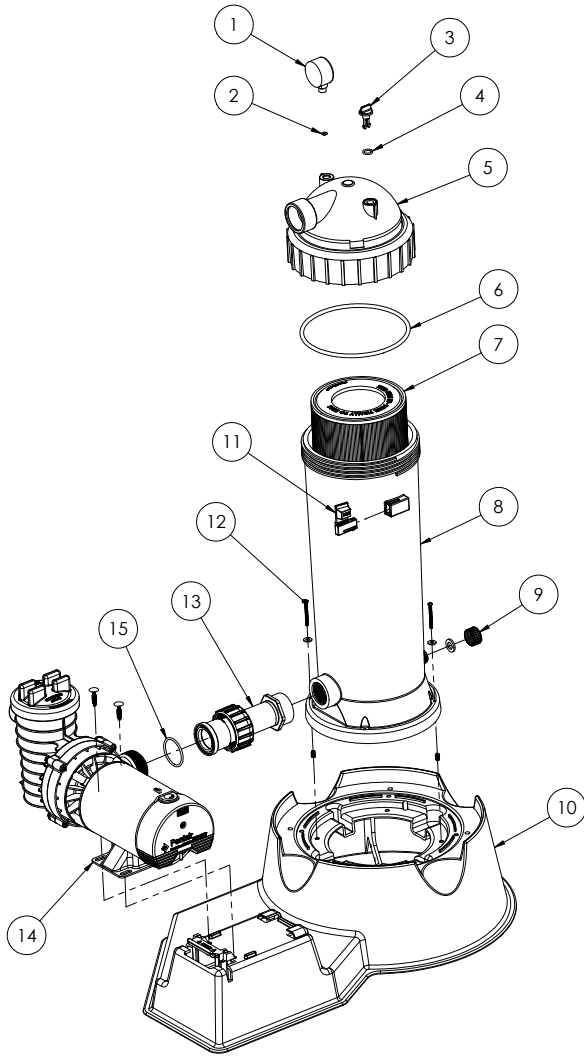
Item	Part No.	Description
PXC SYSTEMS PRIOR TO 2009		
1	15060-0000T	Pressure Gauge
2	24206-0103S	Air Release Valve w/ O-Ring
4	25230-0102S	Filter Lid - PXC75 & PXC95
4	25230-0103S	Filter Lid PXC125 & PXC150
5	25230-0010S	Tank O-Ring
6	25230-0007	Air Bleed Tube- PXC75 & PXC95
6	25230-0008	Air Bleed Tube- PXC125 & PXC150
7	25230-0075S	Filter Cartridge Model PXC75
7	25230-0095S	Filter Cartridge Model PXC95
7	25230-0125S	Filter Cartridge Model PXC125
7	25230-0150S	Filter Cartridge Model PXC150
8	25200-0007	Safety Latch
9	25230-0001S	Tank Body
10	U78-820P3	Bushing Reducer
11	32185-7074	Drain Cap w/ O-Ring
12	155737	Pump to Filter Assembly [JWP]
12	155763	Pump to Filter Assembly [Dynamo]
14		Pump
15	354571	O-Ring, Union (Dynamo)
15	U9-226	O-Ring, Union (JWP)
ACCESSORIES		
	155151	Kit, Flex Hose, 6 ft. ¹
	155005	Kit, Flex Hose, 12 ft. ¹



¹ Replacement Hose Kits include two (2) hoses, four (4) hose adaptors and four (4) hose clamps.

PRC ABOVEGROUND FILTER SYSTEM

REPLACEMENT PARTS FOR MODELS PRC50, PRC75 MANUFACTURED 2009 AND BEYOND



Item	Part No.	Description
PRC FILTER SYSTEMS 2009 AND BEYOND		
1	15060-0000T	Pressure Gauge
2	WC8-72D	Screen Filter
3	25010-0004	Air Relief Valve
4	U9-359	O-Ring
5	25200-0103S	Tank Lid Assembly
6	25200-0011S	Tank O-Ring
7	25200-0150S	Cartridge Element, 50 sq. ft.
7	25200-0175S	Cartridge Element, 75 sq. ft.
8	25200-0001S	Tank Body
9	32185-7074	Drain Cap with O-Ring
10	155331P	Systems Base (ABG/JWP)
10	155331CP	Systems Base, CSA (ABG/JWP)
10	155333P	Systems Base (OptiFlo)
10	155333CP	Systems Base, CSA (OptiFlo)
11	25200-0007	Safety Latch
12	710009	Base Hardware Kit
13	155379	Pump to Filter Assembly (ABG)
13	155373	Pump to Filter Assembly (OptiFlo) ²
13	155766	Pump to Filter Assembly (OptiFlo) ³
14		Pump
15	354571	O-Ring, Union (Opti-Flo)
15	U9-226	O-Ring, Union (ABG)
ACCESSORIES		
	155151	Kit, Flex Hose, 6 ft. ¹
	155005	Kit, Flex Hose, 12 ft. ¹

¹ Replacement Hose Kits include two (2) hoses, four (4) hose adaptors and four (4) hose clamps.

² When replacement OptiFlo pump is used on base 155333P and 155333CP.

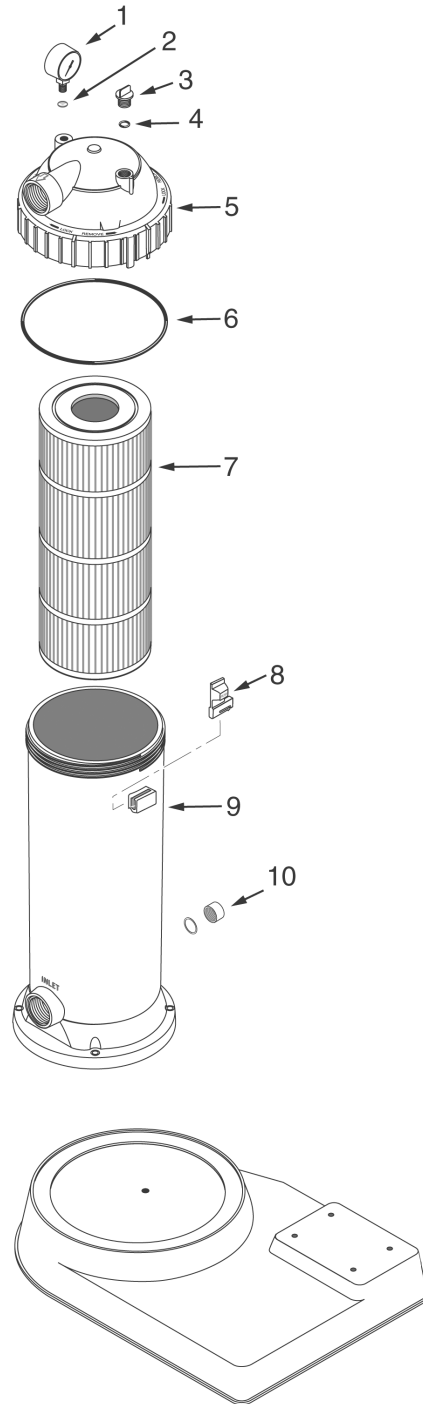
³ When replacement OptiFlo pump is used on base 155331P and 155331CP.

PRC ABOVEGROUND FILTER SYSTEM

REPLACEMENT PARTS FOR MODELS PRC50, PRC75 MANUFACTURED PRIOR TO 2009

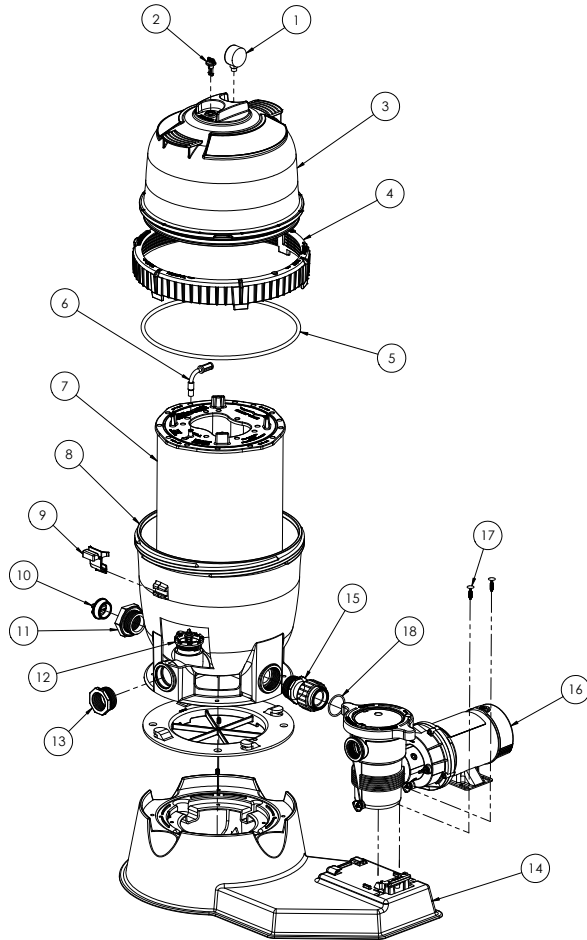


Item	Part No.	Description
PRC FILTER SYSTEMS PRIOR TO 2009		
1	15060-0000T	Pressure Gauge
2	WC8-72D	Screen Filter
3	25010-0004	Air Relief Valve
4	U9-359	O-Ring
5	25200-0103S	Tank Lid Assembly
6	25200-0011S	Tank Lid O-Ring with Silicon Tube
7	25200-0150S	Filter Cartridge
7	25200-0175S	Filter Cartridge
8	25200-0007	Safety Latch
9	25200-0001S	Filter Tank
9	25200-0002S	Filter Tank
10	32185-7074	Drain Cap Assembly with Washer
NOT SHOWN		
	32155-4139	Operating Instruction Decal



PLM FILTER SYSTEMS

REPLACEMENT PARTS FOR SYSTEMS MANUFACTURED 2009 AND BEYOND



Note: System shown with 155333P Base and OptiFlo® Pump

Item	Part No.	Description
PLM FILTER SYSTEMS 2009 AND BEYOND		
1	15060-0000T	Pressure Gauge
2	25010-0200	Air Relief Valve Assembly
3	27001-0020S	Tank Shell Upper Half
4	27001-0054S	Posi-Lok Ring
5	27001-0061S	Body O-Ring
6	24800-0121	Air Bleed Assembly
7	27002-0100S	Filter Module - PLM100
7	27002-0150S	Filter Module - PLM150
8	27001-0009S	Tank Shell Lower Half
9	27001-0051	Safety Latch
10	27001-0022	1-1/2 in. NPT Plug
11	24900-0510	Adapter Fitting
12	27001-0130S	Spring Check Valve
13	U78-820P3	2 in. to 1-1/2 in. Pipe Reducer
14	155331P	Systems Base (ABG/JWP)
14	155331CP	Systems Base, CSA (ABG/JWP)
14	155333P	Systems Base (OptiFlo)
14	155333CP	Systems Base, CSA (OptiFlo)
15	155403	Pump to Filter Hose Assembly (JWP)
15	155374	Pump to Filter Assembly (OptiFlo) ²
15	155765	Pump to Filter Assembly (OptiFlo) ³
16		Pump
17	710009	Base Hardware Kit
18	354571	O-Ring, Union (Opti-Flo)
18	U9-226	O-Ring, Union (JWP)
NOT SHOWN		
	155151	Kit, Flex Hose, 6 ft. ¹
	155005	Kit, Flex Hose, 12 ft. ¹

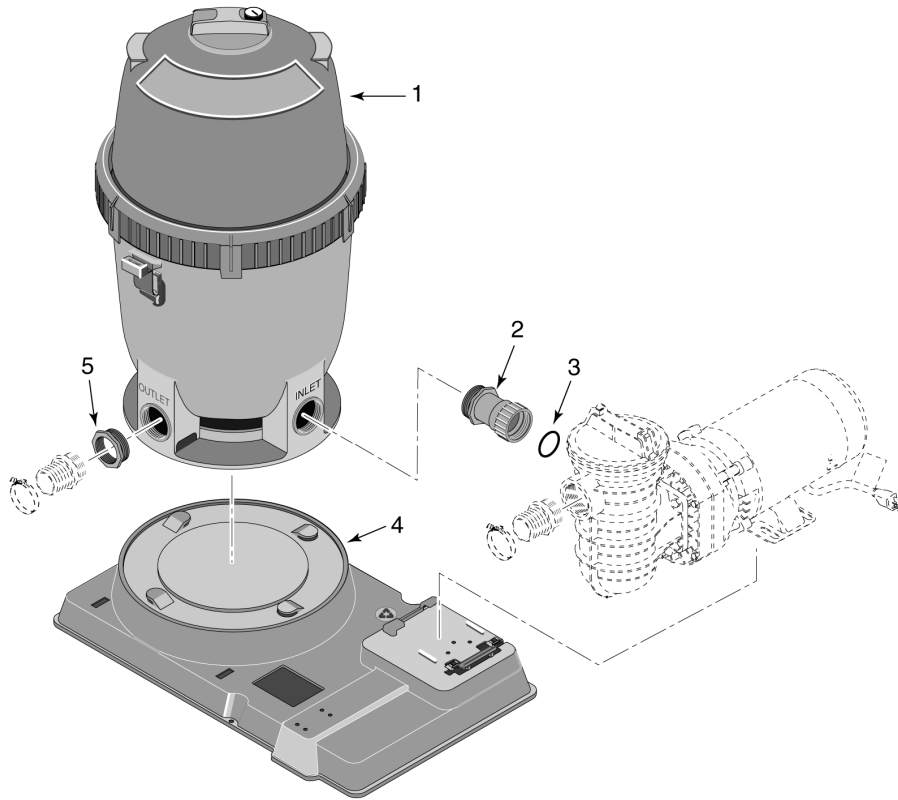
¹ Replacement Hose Kits include two (2) hoses, four (4) hose adaptors and four (4) hose clamps.

² When replacement OptiFlo pump is used on base 155333P and 155333CP.

³ When replacement OptiFlo pump is used on base 155331P and 155331CP.

PLM FILTER SYSTEMS

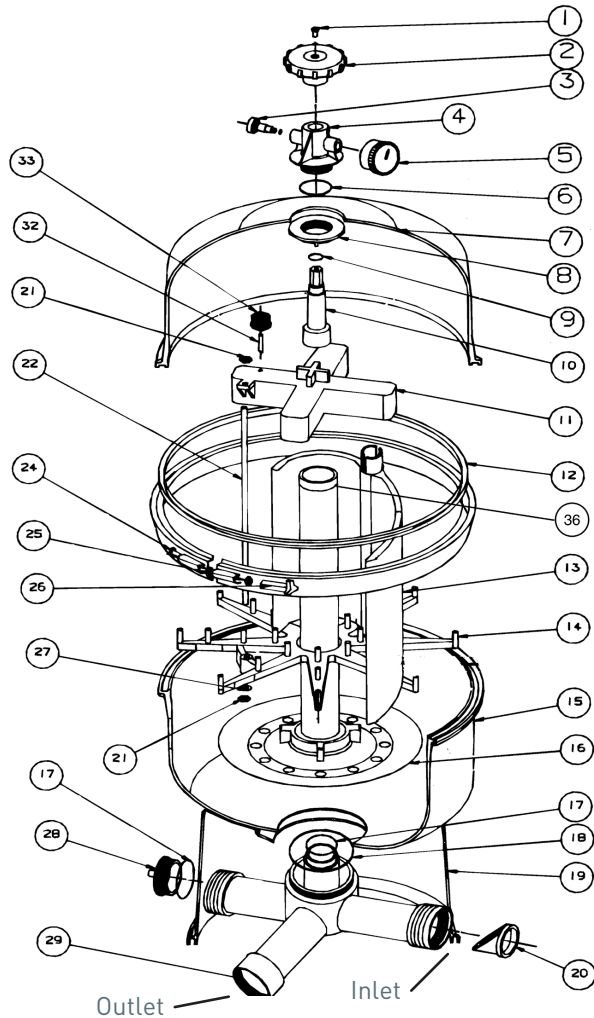
REPLACEMENT PARTS FOR SYSTEMS MANUFACTURED PRIOR TO 2009



Item	Part No.	Description
PLM FILTER SYSTEMS PRIOR TO 2009		
1	PLM100	PLM100 Filter Tank Assembly
1	PLM150	PLM150 Filter Tank Assembly
1	PLD50	PLD50 Filter Tank Assembly
2	27001-0120	Union Half Assembly (JWP)
2	155765	Pump to Filter Assembly (OptiFlo)
3	U9-226	O-Ring
4	27001-0031	Platform Base
5	U78-820P	2 in. NPT x 1-1/2 in. NPT Reducer Bushing
NOT SHOWN		
	155151	Hose Assembly 1-1/2 in. x 6 ft. ('03 Models only)

STAR™ POLYMERIC FILTER SYSTEMS

REPLACEMENT PARTS



Item	Part No.	Description
STAR FILTERS		
1	552472	Screw - flathead #12 x 1 in.
2	191472	Knob - engagement shaft
3	272515	Air bleeder w/o-ring
4	191475	Adapter - tank top
5	190059	Gauge - back mount pressure
6	155564	O-ring 47mm x 4mm
7	191500	Top with knob - tank ST40/50 black
7	191509	Top with knob - tank ST80 black
8	191478	Nut - 7/8 in. - 8 in. buttress
9	191479	O-ring 7/8 in. x 1-1/8 in. x 1/8 in.
10	191485	Shaft - engagement ST50/80

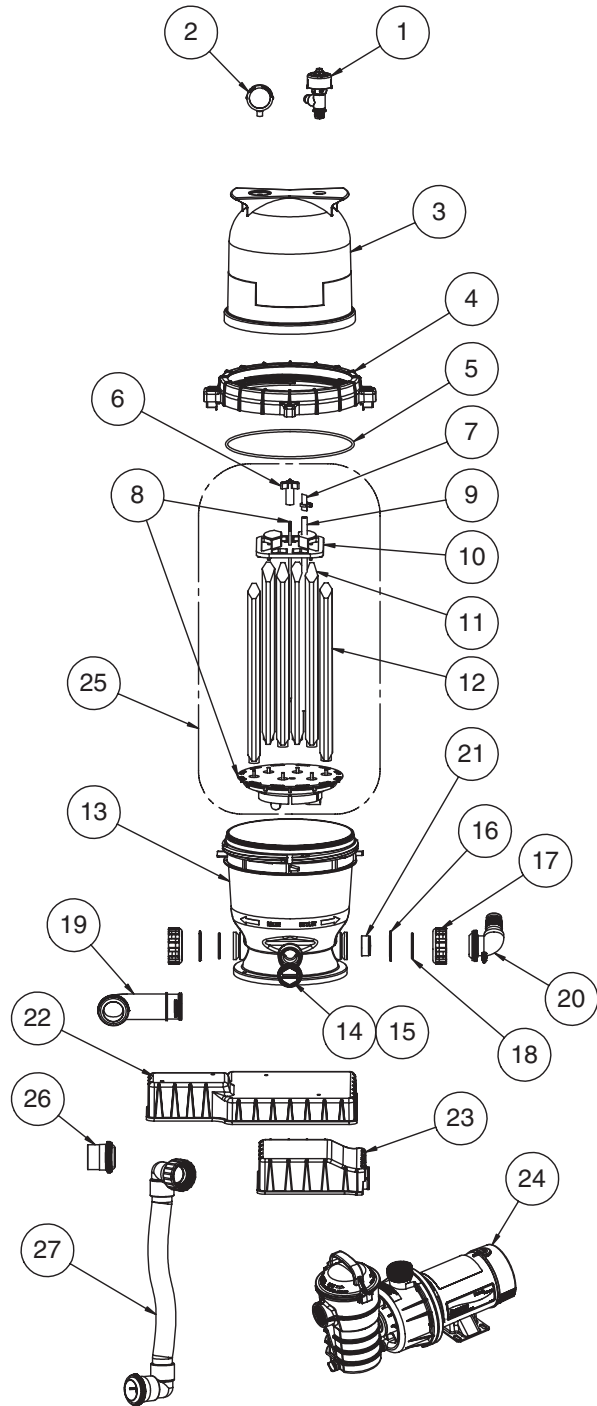
Item	Part No.	Description
11	191950	Manifold assy.
12	174704	O-ring - tank
13	191321	Grid - ST35 13-1/8 in., 4 req.
13	191322	Grid - ST40/50 19-3/4 in., 4 req.
13	191510	Grid - ST80 26-1/4 in., 4 req.
14	191467	Retainer - grid btm.
15	750009	Btm. - tank ST40/50 black
15	191511	Btm. - tank ST80 black
16	191942	Pipe-center w/ diffuser ST35 w/ o-ring
16	191483	Pipe-center w/ diffuser ST40/50 w/ o-ring
16	191512	Pipe-center with diffuser ST80 w/ o-ring
17	191474	O-ring 1-3/4 in. x 2 in. x 1/8 in., 2 req.
18	191424	O-ring 3-1/2 in. x 3-7/8 in. x 3/16 in.
19	191423	Foot - tank
20	191437	Check valve assy.
21	98211400	Nut - hex 1/4-20 serrated s/s, 4 req.
22	191948	Rod - 1/4 in. x 15 in. s/s ST35, 2 req.
22	191430	Rod - 1/4 in. x 21-1/2 in. s/s ST40/50, 2 req.
22	191513	Rod - 1/4 in. x 28 in. ST80
24	152060	Bolt - 5/16 in.- 18 x 4-1/4 in. carriage
25	072173	Washer - flat 5/16 in. s/s
26	174882	Knob - band assy.
27	072172	Washer - lock 1/4 in. s/s, 2 req.
29	191469	Piping - btm. w/ check valve order with locknut (191505)
33	191329	Strainer - air relief
36	191517	Center Pipe O-Ring

SYSTEM REPLACEMENT PARTS	
750016	Pump to Filter connection (includes: piping, parts, & O-rings)
155109	Nut 4 prong, 2 req.
354265	Screw, 2 req.
155151	Hose, 1-1/2 in. x 6 ft., filter/pump to pool
155005	Hose, 1-1/2 in. x 12 ft., filter/pump to pool
354571	O-ring (Quick Connect)

WARRIOR FILTER SYSTEMS

REPLACEMENT PARTS

Item	Part No.	Description
WARRIOR FILTER SYSTEMS		
1	98209800	High Flow manual air relief valve (HFMARV)
2	190058	Gauge, pressure
3	190041	Lid, 44/88 GPM filter, almond
3	190042	Lid, 66 GPM filter, almond
4	59052900	Locking ring
5	87300400	Body O-ring
6	071404Z	Wing Nut
7	59016200	Air bleed sock kit
8	59022500	Tie rod / manifold assy., 44 GPM filter
8	59022501	Tie rod / manifold assy., 66 GPM filter
9	59011300	Air bleed tube, 66 GPM Filter
10	59023000	Top grid support
11	59009600	Lg. grid assy., 44 GPM filter
11	59009700	Lg. grid assy., 66 GPM filter
12	59005200	Sm. grid assy., 44 GPM filter
12	59005300	Sm. grid assy., 66/88 GPM filter
13	178562	Bottom, 44 GPM filter, almond
13	178563	Bottom, 66 GPM filter, almond
14	51516200	Drain cap ³
14	86202000	Plug 1-1/2 in. drain, w/ O-ring ⁴
15	86300500	Drain cap gasket ³
15	51005000	O-ring, drain cap ⁴
16	39104500	Union nut "C" clip
17	98212200	Nut, union
18	071426	O-ring, union
19	170037	Fitting elbow pump connector ¹
20	39107400	Fitting elbow outlet connector ¹
21	51516100	Check valve kit
22	170058	Base assy. ¹
23	178541	Chlorinator base
24	OptiFlo® Pump page 556; Dynamo® Pump Page 557	
25	59005800	Grid pack assy., 44 GPM
25	59005900	Grid pack assy., 66 GPM
26	79304700	Body swivel w/ 1-1/2 in. NPT internal threads
27	175015	Pump/filter connector, Dynamo
27	170046	Pump/filter connector, OptiFlo
NOT SHOWN		
	354571	O-Ring, Union



¹ Used on filters manufactured after 3/98.

² Used on filters manufactured after 6/96.

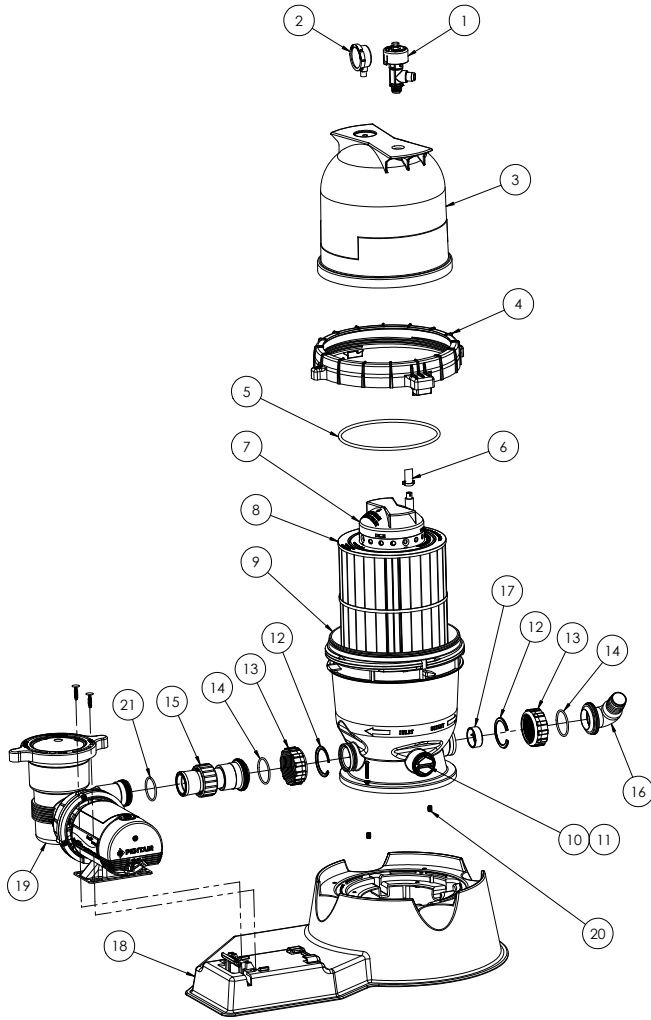
³ Used on filters manufactured before 11/98.

⁴ Used on filters manufactured after 11/98.

⁵ Used on filters manufactured with the Dynamo Pump.

EASYSYSTEM™ FILTER SYSTEMS

REPLACEMENT PARTS



Item	Part No.	Description
EASYSYSTEM FILTER SYSTEMS		
1	98209800	High Flow Manual Relief Valve
2	190058	Pressure Gauge
3	178561	Lid, Almond
4	59052900	Locking Ring Assy
5	87300400	Body O-Ring
6	59016200	Air Bleed Sock Kit ²
7	59053600	Center Core, 60 GPM ²
7	59053800	Center Core, 90 GPM ²
8	196039	Cartridge Element, 60 ² GPM
8	196040	Cartridge Element, 90 ² GPM
9	178562	Tank Bottom, 60 GPM
9	178563	Tank Bottom, 90 GPM
10	86202000	Drain Cap with O-Ring
11	51005000	O-Ring (Drain Cap)
12	39104500	C-Clip (Union Nut)
13	98212200	Union Nut
14	071426	O-Ring Union
15	155372	Pump to Filter Assembly (OptiFlo) - comes with O-ring (354571)
16	39107400	Outlet Connector
17	51516100	Check Valve Kit
18	155333P	Systems Base
19	OptiFlo® Pump Page 556	
20	710009	Base Hardware Kit
21	354571	O-Ring, Union
NOT SHOWN		
	155151	Flex Hose Kit (6 ft.) ¹
	155005	Flex Hose Kit (12 ft.) ¹

¹ Replacement Hose Kits include two (2) hoses, four (4) hose adapters and four (4) hose clamps.

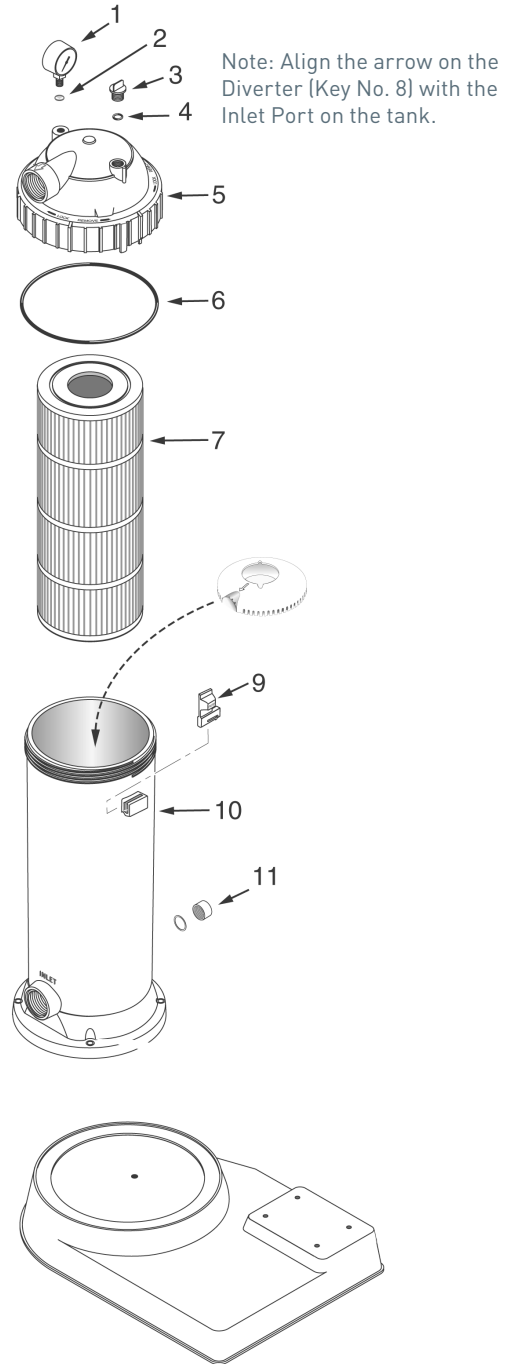
² Please see EasyClean stand alone filter replacement parts page 391 for internal parts.

PRD FILTER SYSTEMS

REPLACEMENT PARTS

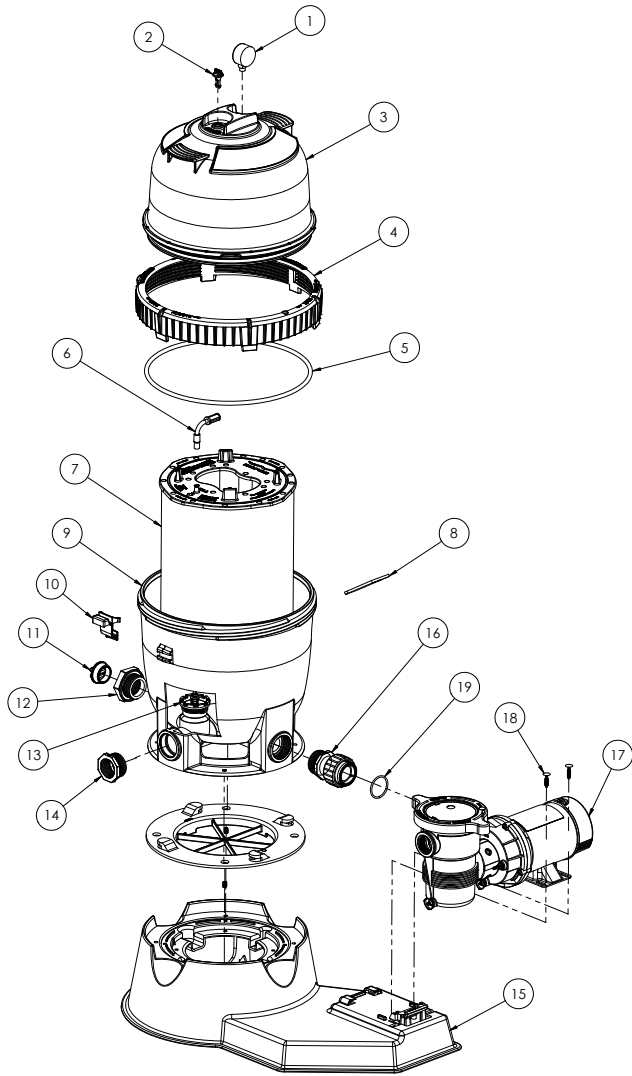


Item	Part No.	Description
PRD FILTER SYSTEMS		
1	15060-0000T	Pressure gauge
2	WC8-72D	Screen filter
3	25010-0004	Air relief valve
4	U9-359	O-Ring
5	25200-0103S	Tank lid assembly (includes Key No. 6)
6	25200-0011S	Tank lid O-ring with silicone lube
7	25200-0160S	Filter module
9	25200-0007	Safety latch
10	25200-0001S	Filter tank
10	25200-0002S	Filter tank
11	32185-7074	Drain cap assembly with washer
ACCESSORIES		
	32155-4139	Operational Instruction Decal



PLD FILTER SYSTEMS

REPLACEMENT PARTS FOR SYSTEMS MANUFACTURED 2009 AND BEYOND



Note: System shown with 155333P Base and OptiFlo® Pump

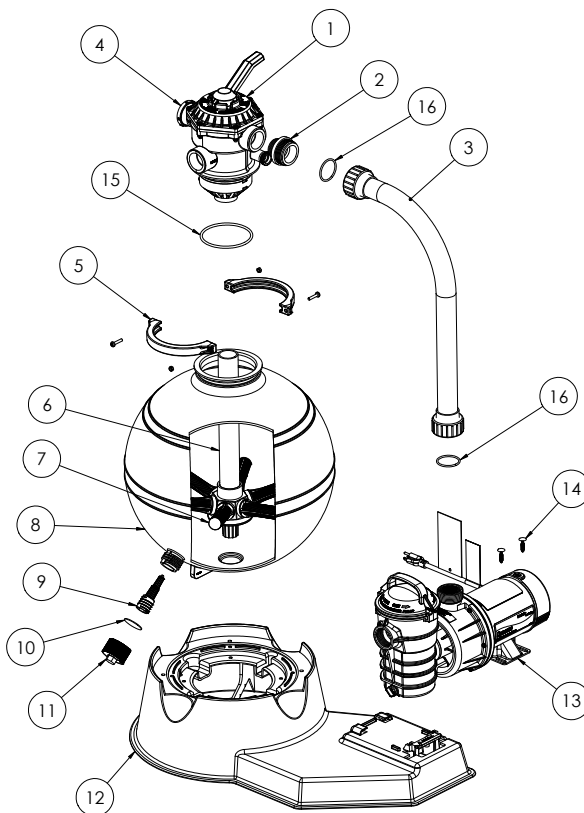
Item	Part No.	Description
PLD FILTER SYSTEMS 2009 AND BEYOND		
1	15060-0000T	Pressure Gauge
2	25010-0200	Air Relief Valve Assembly
3	27001-0020S	Tank Shell Upper Half
4	27001-0054S	Posi-Lok Ring
5	27001-0061S	Body O-Ring
6	24800-0120	Air Bleed Assembly
7	27002-0030S	Filter Module - PLD50
8	27001-0011	Flapper Valve
9	27001-0009S	Tank Shell Lower Half
10	27001-0051	Safety Latch
11	27001-0022	1-1/2 in. NPT Plug
12	24900-0510	Adapter Fitting
13	27001-0130S	Spring Check Valve
14	U78-820P3	2 in. to 1-1/2 in. Pipe Reducer
15	155331P	Systems Base (ABG/JWP)
15	155331CP	Systems Base, CSA (ABG/JWP)
15	155333P	Systems Base (OptiFlo)
15	155333CP	Systems Base, CSA (OptiFlo)
16	155403	Pump to Filter Hose Assembly (JWP)
16	155374	Pump to Filter Assembly (OptiFlo) ²
16	155765	Pump to Filter Assembly (OptiFlo) ³
17		Pump
18	710009	Base Hardware Kit
19	354571	O-Ring, Union
NOT SHOWN		
	155151	Kit, Flex Hose, 6 ft. ¹
	155005	Kit, Flex Hose, 12 ft. ¹

¹ Replacement Hose Kits include two (2) hoses, four (4) hose adapters and four (4) hose clamps.
² When replacement OptiFlo pump is used on base 155333P and 155333CP.
³ When replacement OptiFlo pump is used on base 155331P and 155331CP.

METEOR FILTER SYSTEMS

REPLACEMENT PARTS FOR SYSTEMS MANUFACTURED 2009 AND BEYOND

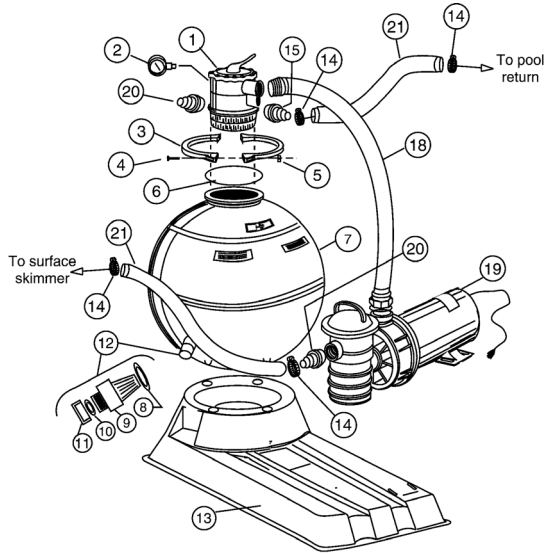
Item	Part No.	Description
METEOR FILTER SYSTEMS 2009 AND BEYOND		
1	262506	Valve, 1-1/2 Inch, 6-Way
2	354588	Adaptor, NPT to Buttress
3	155712	Pump to Filter Assy. (Dynamo to Meteor 18 in.)
3	155709	Pump to Filter Assy. (Dynamo to Meteor 20 in.)
3	155714	Pump to Filter Assy. (Dynamo to Meteor 22 in.)
4	190059	Pressure Gauge
5	152165	Clamp Assembly
6	152223	Piping Assembly Meteor 18 in.
6	152224	Piping Assembly Meteor 20 in.
6	152225	Piping Assembly Meteor 22 in.
7	150084	Lateral – Meteor 18 in. & Meteor 20 in.
7	150085	Lateral – Meteor 22 in.
8	155655	Tank w/ Drain – Meteor 18 in.
8	155656	Tank w/ Drain – Meteor 20 in.
8	155657	Tank w/ Drain – Meteor 22 in.
9	154711	Sand Drain
10	154715	Gasket (Sand Drain)
11	154712	Drain Cap
12	155333P	Systems Base
12	155333CP	Systems Base, CSA Pump
13	Dynamo Pump Page 557	
14	710009	Base Hardware Kit
15	272541	O-Ring Valve Body
16	354571	O-Ring, Union
NOT SHOWN		
	155151	Kit, Flex Hose, 6 ft. ¹
	155005	Kit, Flex Hose, 12 ft. ¹



¹ Replacement Hose Kits include two (2) hoses, four (4) hose adapters and four (4) hose clamps.

METEOR FILTER SYSTEMS

REPLACEMENT PARTS FOR SYSTEMS MANUFACTURED PRIOR TO 2009



Item	Part No.	Description
METEOR FILTER SYSTEMS PRIOR TO 2009		
1	262506	MPV, 6-pos., 18, 20, 22 in. filter, 1-1/2 in. port ⁶
1	50118100	MPV, 8-pos., 18, 20 in. filter, 1-1/2 in. port ⁴
1	50118200	MPV, 8-pos., 22, in. filter, 1-1/2 in. port ⁴
2	190059	Gauge, pressure, rear connection
3	51020900	Clamp, multiport valve 3
3	152165	Clamp Assy (incl. Nuts & Screws) ⁵
4	98209000	Screw, clamp
5	98211400	Nut, clamp
6	51011900	O-ring, MPV, 22 in. filter ¹
7	58812130	Tank assy., 20 in. filter, almond ⁵
7	58812140	Tank assy., 22 in. filter, almond ⁵
7	155656	Tank w/ Drain - Meteor 20 in. ⁶
7	155657	Tank w/ Drain - Meteor 22 in. ⁶
7	155655	Tank w/ Drain - Meteor 18 in. ⁶
8	51005000	O-ring, drain/insp. fittings
9	86300300	Fitting, drain sand/water
9	154711	Sand Drain ⁵
10	86300500	Gasket, drain cap
10	154715	Drain Gasket
11	86300400	Cap, drain
11	154712	Drain cap
12	55007800	Drain assy., complete
12	150055	Drain assy. ⁵
13	152901	Base (18 in., 20 in., 22 in.) ⁵

Item	Part No.	Description
14	711004	Clamp, 1-1/2 in. worm hose
15	86201900	Elbow Hose Adapter, 1-1/2 in.
18	79302100	Hose assy., 18 in. filter
18	79302200	Hose assy., 20 in. filter
18	79302300	Hose assy., 22 in. filter
18	155662	18 in. Quick connect hose ⁵
18	155663	20 in. Quick connect hose ⁵
18	155664	22 in. Quick connect hose ⁵
18	86013000	Quick connect hose assy., 18 in. filter
18	86013090	Quick connect hose assy., 20 in. filter
18	86013100	Quick connect hose assy., 22 in. filter
19	Dynamo® Pump Page 557	
20	711006	Hose adapter 1-1/2 in. x 1-1/2 in. NPT
20	150046	Hose adapter 1-1/2 in. NPT CHL conn.
21	155151	Hose, 1-1/2 in. x 6 ft., filter/pump to pool
21	155005	Hose, 1-1/2 in. x 12 ft., filter/pump to pool
NOT SHOWN		
	55025700	Lateral underdrain, 18, 20, 22 in. filters, 8 per filter
	55027500	Standpipe / lateral assy., 18 in. filter
	150084	Lateral, Long (18 in., 20 in.) ⁶
	150085	Lateral, XLong (22 in.) ⁶
	152223	Standpipe lateral assy. 18 in. ⁶
	152224	Standpipe lateral assy. 20 in. ⁶
	152225	Standpipe lateral assy. 22 in. ⁶
	55027600	Standpipe / lateral assy., 20 in. filter
	55027700	Standpipe / lateral assy., 22 in. filter
	155051	Funnel, sand guide
	85019300	Backwash adapter, 1-1/2 in. NPT x brb.
	85019000	Backwash sight glass, 18 & 20 in. filter
	85019100	Backwash sight glass, 22 in. filter
	354571	O-ring (Quick Connect)
	155167	Kit Bag Systems

¹ Used on filters manufactured before 4-95. ⁵ Used on filters manufactured after 6-2004.

² Used on filters manufactured after 4-95. ⁶ Used on filters manufactured after 10-2004.

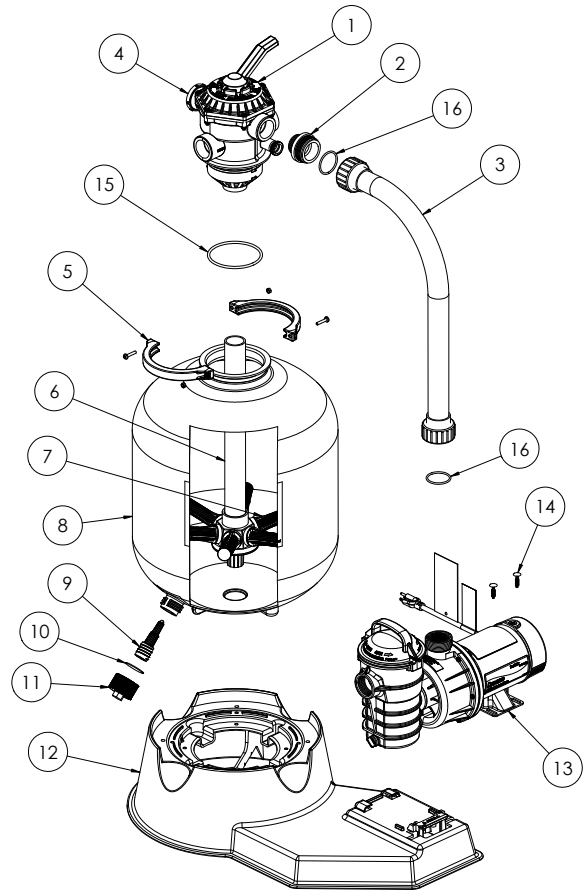
³ Used on filters manufactured after 12-15-95.

⁴ Used on filters manufactured before 4-2004.

SAND DOLLAR® FILTER SYSTEMS

REPLACEMENT PARTS FOR SYSTEMS MANUFACTURED 2009 AND BEYOND

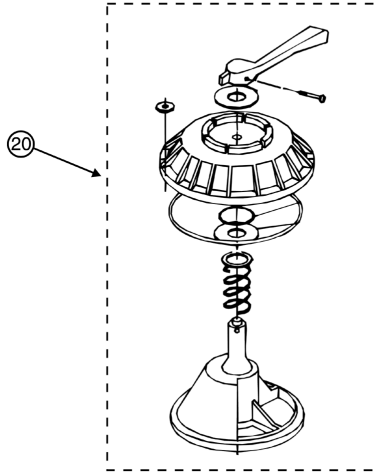
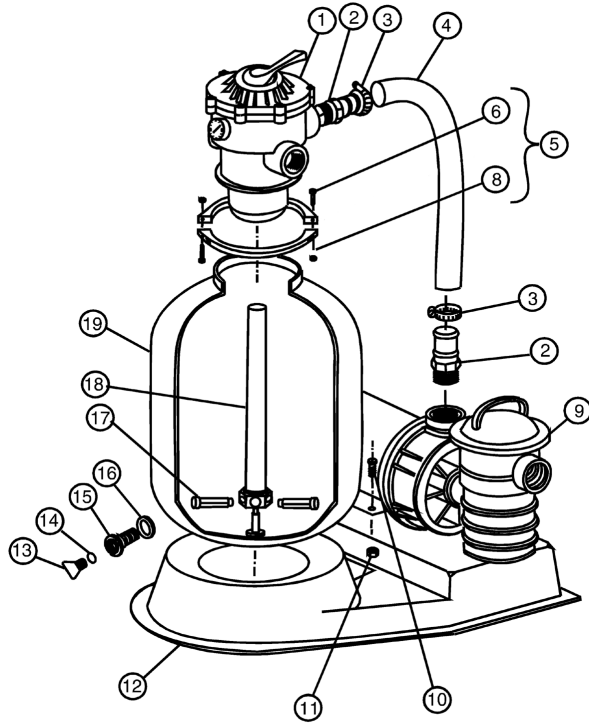
Item	Part No.	Description
SAND DOLLAR FILTER SYSTEMS 2009 AND BEYOND		
1	262506	Valve, 1-1/2 Inch, 6-Way
2	354588	Adaptor, NPT to Buttress
3	155709	Pump to Filter Assembly (Dynamo to SD35)
3	155710	Pump to Filter Assembly (Dynamo to SD40)
3	155711	Pump to Filter Assembly (Dynamo to SD60)
4	190059	Pressure Gauge
5	152165	Clamp Assembly
6	152229	Piping Assembly – SD35
6	152228	Piping Assembly – SD40
6	152227	Piping Assembly – SD60
7	150084	Lateral – SD 35 & SD 40
7	150085	Lateral – SD60
8	145339	Tank w/ Drain – SD35
8	145341	Tank w/ Drain – SD40
8	145343	Tank w/ Drain – SD60
9	154711	Sand Drain
10	154715	Gasket (Sand Drain)
11	154712	Drain Cap
12	155333P	Systems Base
12	155333CP	Systems Base, CSA Pump
13		Dynamo Pump Page 557
14	710009	Base Hardware Kit
15	272541	O-Ring Valve Body
16	354571	O-Ring, Union
NOT SHOWN		
	155151	Kit, Flex Hose, 6 ft. ¹
	155005	Kit, Flex Hose, 12 ft. ¹



¹ Replacement Hose Kits include two (2) hoses, four (4) hose adaptors and four (4) hose clamps.

SAND DOLLAR® FILTER SYSTEMS

REPLACEMENT PARTS FOR SYSTEMS MANUFACTURED PRIOR TO 2009



Item	Part No.	Description
4	154895	Hose 30 in. clear/grey spiral, SD 60
5	152165	Clamp assy. - aboveground system ¹
6	152168	Screw #M6 x 1 pan hd. Phillips s/s, 2 req. ¹
8	152167	Nut #M6 s/s, 2 req. 1
9	Dynamo® Pump Page 557	
10	354265	Screw - 1/4 in.-18 hex washer hd., 2 req. ²
11	155109	Nut-T4 prong 5/16 in.-18, req. 2
12	152901	Base assy. ²
13	357161	Plug-drain 1/4 in. NPT wing ⁵
14	192115	O-ring-drain plug (1/16 in. x 1/2 in. i.d.) ⁵
15	150055	Drain Kit ⁴
16	154713	Gasket, sand drain ³
17	155007	Lateral - SD 35, 8 req.
17	152290	Lateral - SD 40 & 60, 8 req.
17	150084	Lateral - SD 35, SD 40 ⁴
17	150085	XLong Lateral SD 60 ⁴
18	155504	Assy.-SD 35 internal piping
18	155062	Assy.-SD 40 internal piping
18	155532	Assy.-SD 60 internal piping
19	145324	Tank w/ internals-SD 35 almond
19	145327	Tank w/ internals-SD 40 almond
19	145330	Tank w/ internals-SD 60 almond
20	272531	HiFlow 1-1/2 in. top valve assy.

NOT SHOWN

155151	Hose, 1-1/2 in. x 6 ft., filter/pump to pool
155005	Hose, 1-1/2 in. x 12 ft., filter/pump to pool
154712	1-1/2 in. drain cap
154715	O-Ring for 1-1/2 in. drain cap
155167	Kit Bag Systems

Item	Part No.	Description
SAND DOLLAR FILTER SYSTEMS PRIOR TO 2009		
1	262506	6 Way Valve assy.
2	711006	Adapter - 1-1/2 in. hose, 2 req.
2	150046	Adapter w/ chlorinator conn., 2 req.
3	711004	Clamp-hose, 3 req.
4	154893	Hose 21-1/2 in. clear/grey spiral, SD 35
4	154894	Hose 26 in clear/grey spiral, SD 40

¹ P/N 152165 (clamp assy.) consists of 2 each of the following: P/N 152166 (clamp half), P/N 152167 (nut) and P/N 152168 (screw).

² P/N 152901 (aboveground base) consists of P/N 152900 (base) and 2 each of the following: P/N 155109 (T4 nuts) and P/N 354265 (screw).

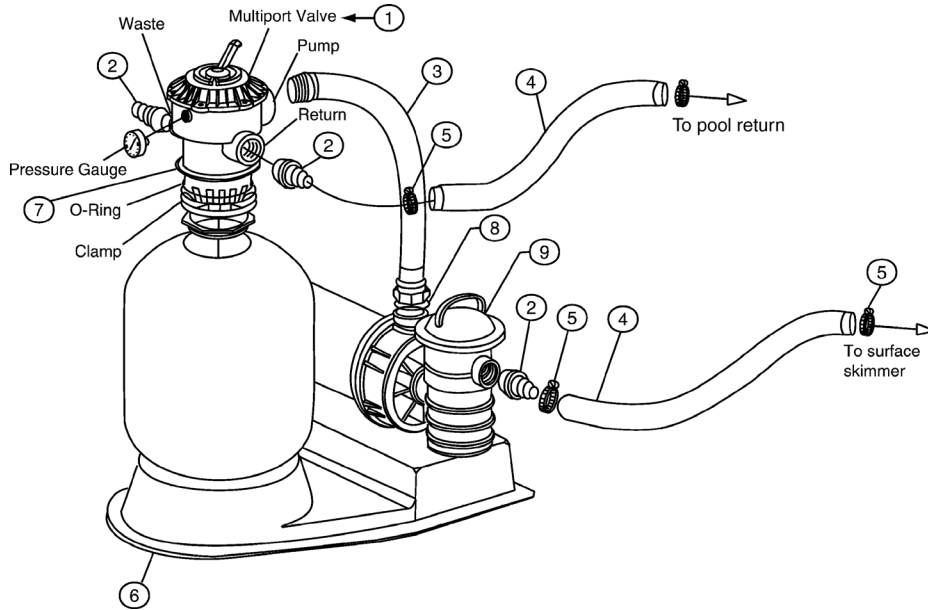
³ P/N 192040 O-ring used on tanks manufactured after 1/1/03.

⁴ Manufactured after 10/04.

⁵ Manufactured before 10/04.

TAGELUS® FILTER SYSTEMS

REPLACEMENT PARTS

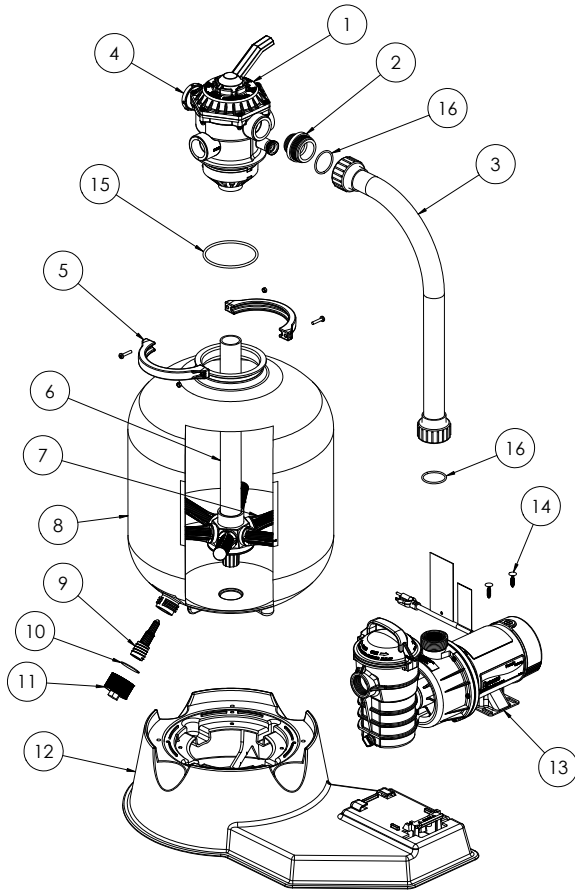


Item	Part No.	Description
TAGELUS FILTER SYSTEMS		
1	262506	Valve 1-1/2 in. 6-way clamp style
1	261124	Valve 1-1/2 in. 6-way "V" thread-TA ¹
2	711006	Hose adptr. tapered, 3 req.
3	155285	PVC hose w/ quick connect TA35 & TA35D
3	155278	PVC hose w/ quick connect TA40 & TA40D
3	155283	PVC hose w/ quick connect TA50 & TA50D
4	155151	Hose, 1-1/2 in. x 6 ft., filter/pump to pool
4	155005	Hose, 1-1/2 in. x 12 ft., filter/pump to pool
5	711004	Hose clamp 1-1/2 in. wire type, 4 req.
6	152901	Base assy.
7	152165	Clamp-TAD system
8	354571	O-Ring, Union
9		Dynamo® Pump Page 557
NOT SHOWN		
	155161	PTFE Tape

¹ For filters manufactured before 12-1-91.

CRISTAL-FLO™ II FILTER SYSTEMS

REPLACEMENT PARTS FOR SYSTEMS MANUFACTURED 2009 AND BEYOND



Item	Product	Description
CRISTAL-FLO II FILTER SYSTEMS 2009 AND BEYOND		
1	262506	Valve, 1-1/2 Inch, 6-Way
2	354588	Adaptor, NPT to Buttress
3	155726	Pump to Filter Assy (JWP/ABG to 16 in. Tank)
3	155727	Pump to Filter Assy (JWP/ABG to 19 in. Tank)
3	155728	Pump to Filter Assy (JWP/ABG to 22 in. Tank)
3	155709	Pump to Filter Assy (Dynamo/ OptiFlo to 16 in. Tank)
3	155710	Pump to Filter Assy (Dynamo/ OptiFlo to 19 in. Tank)
3	155711	Pump to Filter Assy (Dynamo/ OptiFlo to 22 in. Tank)
4	190059	Pressure Gauge
5	152165	Clamp Assembly
6	152229	Piping Assembly - 16 in. Tank
6	152228	Piping Assembly - 19 in. Tank
6	152227	Piping Assembly - 22 in. Tank
7	150084	Lateral - 16 in. & 19 in. Tanks
7	150085	Lateral - 22 in. Tanks
8	145364	Tank w/ Drain - 16 in. Tank
8	145365	Tank w/ Drain - 19 in. Tank
8	145366	Tank w/ Drain - 22 in. Tank
9	154711	Sand Drain
10	154715	Gasket (Sand Drain)
11	154712	Drain Cap
12	155333P	Systems Base
12	155333CP	Systems Base, CSA Pump
13		Pump
14	710009	Base Hardware Kit
15	272541	O-Ring Valve Body
16	354571	O-Ring, Union
NOT SHOWN		
	155151	Kit, Flex Hose, 6 ft. ¹
	155005	Kit, Flex Hose, 12 ft. ¹
	155767	Conn Kit, Pump to Filter All sizes

¹ Replacement hose kits include (2) hoses, (4) hose adapters and (4) hose clamps.

WATERFORD™ FILTER SYSTEMS

REPLACEMENT PARTS FOR SYSTEMS MANUFACTURED BEFORE 2009



MODELS

15 in. Filters:

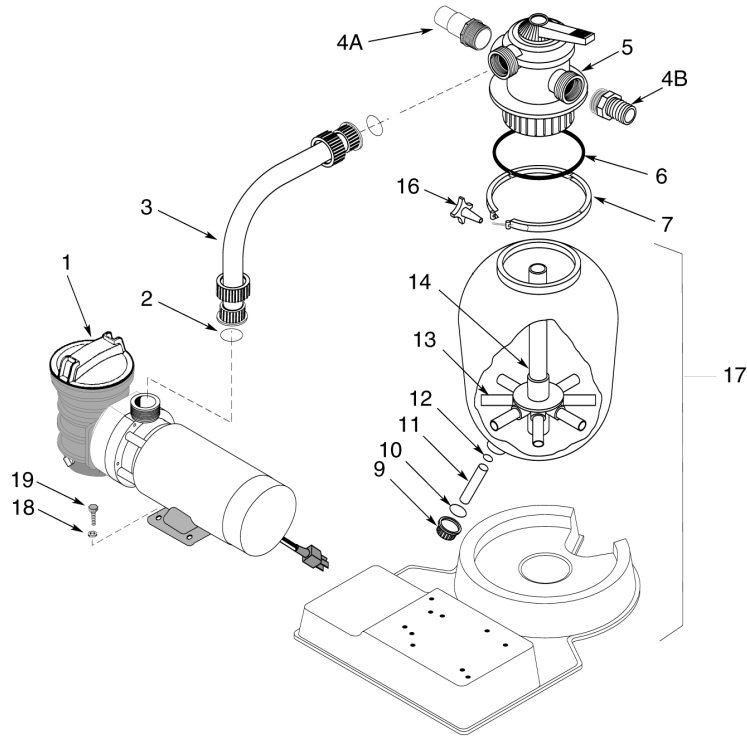
JSAL15D
JSAL15E
JSALS15E

18 in. Filters:

JSAL180D
JSAL180E
JSALS180E
JSAL180F

21 in. Filters:

JSAL210D
JSAL210E
JSAL210F
JSALS210F

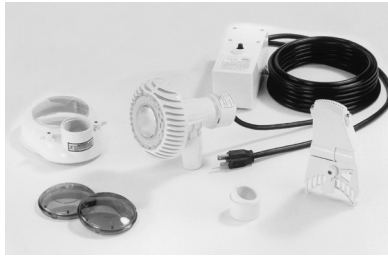


Item	Part No.	Description
WATERFORD FILTER SYSTEMS		
1		Pump
2	U9-226	O-Ring
3	24203-0036	Hose Assembly (Includes Item No. 2) - 15 in. Filter (ABG/JWP)
3	24203-0033	Hose Assembly (Includes Item No. 2) - 18 in. Filter (ABG/JWP)
3	24203-0034	Hose Assembly (Includes Item No. 2) - 21 in. Filter (ABG/JWP)
4A	711004	Hose Adapter
4B	14962-0012	Sight Glass
5	261186	Replacement Valve
6	U9-369	O-Ring, Tank Flange
7	WC119-87	V-Clamp with Knob
9	14965-0025	Drain Cap
10	U9-371	O-Ring, Drain Cap
11	24201-0058	Drain Lateral Tube
12	U9-370	O-Ring, Lateral Tube

Item	Part No.	Description
13	24600-0003	Lateral Tube
14	24200-0110	Collector Hub Assembly 15 in. Filter
14	WC137-516P	Collector Hub Assembly 18 in. Filter
14	WC137-517P	Collector Hub Assembly 21 in. Filter
16	WC36-22	Clamp Knob
18	U43-60SS	Washer 1/4 in.
19	U30-52SS	Screw 1/4-20 x 3/4 in. Lg.
NOT SHOWN		
	155151	Hose, 1-1/2 in. x 6 ft. Lg. ²
	C198-5	Union Half Package
	155764	Conn Kit, Pump to Filter All sizes

ACCESSORIES FOR ABOVEGROUND SYSTEMS

We recommend the use of GFCI with all filter systems.



AquaLuminator 98600000



3 ft. Twist Lock cord 155234



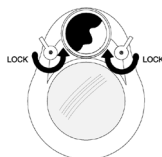
Quasar Non-return light for
aboveground pools
98605300



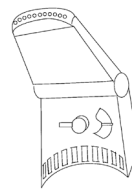
300 Series
Chlorinator/
Feeder R171016



Hard Plumbing
Adapter



Pressure Cleaner
Adapter



Fountain
Attachment



6 ft. Hose Kit 155151
12 ft. Hose Kit 155005



Sand Vac 542090

Part No.	Description
ACCESSORIES	
79137800	3 ft. Standard cord
155234	3 ft. cord with twist lock
155151	1-1/2 in. x 6 ft. hose kit, (to and from pool)
155005	1-1/2 in. x 12 ft. hose kit, (to and from pool)
150046	Hose adapter 1-1/2 in. NPT with Chlorinator connector
542413	Aboveground wall fitting 1-1/2 THD x 1-1/2 THD-white
542414	Aboveground wall fitting 1-1/2 THD x 1-1/2 socket-white
98600000	AquaLuminator aboveground light
98610002	AquaLuminator aboveground light (Canada CSA) certified
K50600	E-Z Vac Pool Cleaner
360100	Kreepy Krauly 'Lil Shark Pool Cleaner
360321	Kreepy Krauly 910 Robotic Pool Cleaner
542090	Sand Vac - empties a sand filter in 10 min for repair, refilling or removal
R171016	300 Series Off-Line Chlorinator Feeder
98605300	Quasar Non-Return Light
79203100	Adapter to connect AquaLuminator to cleaner
79100000Z	Fountain attachment, fits all AquaLuminator models
79202900	Hard plumbing adapter