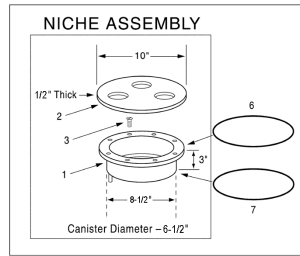
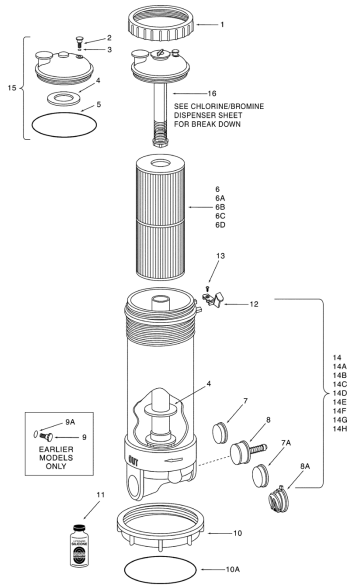
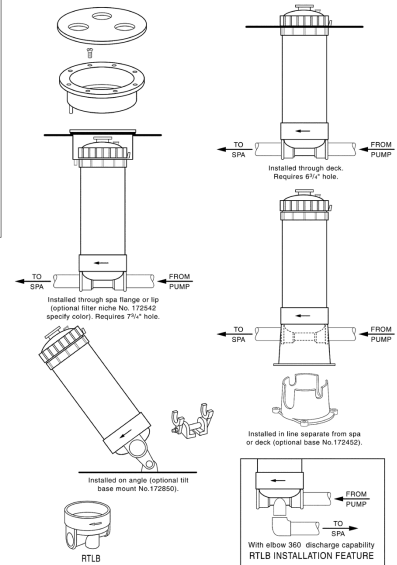


DYNAMIC® FILTER SERIES II & III RTL/RCF

REPLACEMENT PARTS



TYPICAL INSTALLATIONS



Item	Part No.	Qty.	Description
TOP IN LINE CARTRIDGE FILTER MODEL RTL/RCF 1-1/2 IN. & 2 IN. HIGH FLOW			
1	R172214	1	Lock ring
2	R172224X	1	Air vent valve
3	R172221	1	O-ring for air vent valve
4	R172222	2	Gasket, cartridge
5	R172223	1	O-ring lid to housing
6	R173428	1	25 sq. ft. cartridge, 6 oz. ¹
6A	R172327	1	25 sq. ft. cartridge, 3 oz. ¹
6B	R173434	1	50 sq. ft. cartridge ¹
6C	R173435	1	75 sq. ft. cartridge
6D	R172633		100 sq. ft. cartridge
7	R172225X	1	1-1/2 in. Plug to disable by-pass
7A	R172679	1	2 in. Plug to disable by-pass
8	R172226X	1	1-1/2 in. By-pass assembly
8A	R172684	1	2 in. By-pass assembly
8B	R172226XF	1	1-1/2 in. By-pass assembly, low flow
9	R172392	2	1/4 in. Access plug, earlier models
9A	R172393	2	Access plug O-ring, earlier models
10	R172370	1	Bottom locking flange
10A	R170070	Opt.	O-ring, locking flange
11	R172036	Opt.	Silicone lubricant
12	R172374	1	Lock spring
13	R172375	1	Lock screw

Item	Part No.	Qty.	Description
14	R172386	1	RTL/RCF-25 housing assembly 1-1/2 in., slip ²
14A	R172387	1	RTL/RCF-25 housing assembly 1-1/2 in., FPT ²
14B	R172388	1	RTL/RCF-50 housing assembly 1-1/2 in., slip ²
14C	R172389	1	RTL/RCF-50 housing assembly, 1-1/2 in., FPT ²
14E	R172421	1	RTL/RCF-25 housing assembly, 2 in. slip ²
14F	R172428	1	RTL/RCF-50 housing assembly, 2 in. slip ²
14G	R172638	1	RTL/RCF-75 housing assembly, 2 in. slip ²
14H	R172639	1	RTL/RCF-100 housing assembly, 2 in. slip ²
15	R172385	1	Lid assembly, complete
16	R172540	1	Chlorine/bromine dispenser, complete, RCF
RTL AND RCF NICHE ASSEMBLY (R172542)			
1	R172610DG	1	Niche only, dark grey
3	R172612	8	No. 10 x 3/4, SS flat head screw
4	R170072	Opt.	O-ring, niche to spa
5	R170070	Opt.	O-ring, filter to niche
NOT SHOWN			
	R172452	Opt.	Free standing base
	R170070	Opt.	O-ring, filter to niche
	R170072	Opt.	O-ring, niche to spa

¹ All three cartridges are interchangeable.

² Only one applies to your filter, check model number when ordering.

Note: Specify color of cover and niche desired by adding letters after part no., as follows: SS (sterling silver), WH (white), BLK (black).