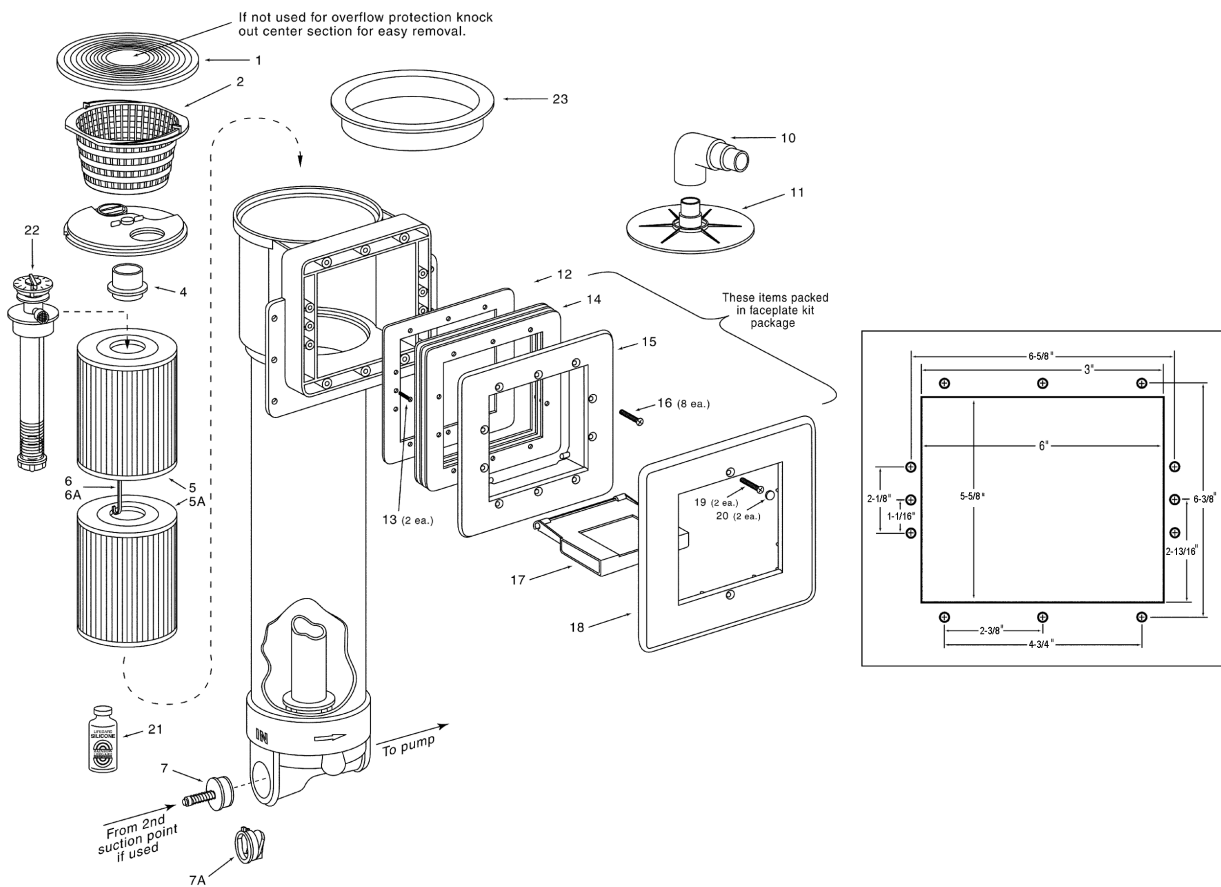


# DYNAMIC® FILTER SERIES IV - MODEL DSF

## REPLACEMENT PARTS



Item	Part No.	Qty.	Description
<b>SKIM FILTER</b>			
1	R172468	1	Cover
2	R172467	1	Basket assembly
4	R172465	1	Cartridge plug
6	R172477	1	Cartridge puller, DSF 50 only
6A	R172608	1	Cartridge puller, DSF 35 only
7	R172226X	1	By-pass assembly, 1-1/2 in.
7A	R172684	1	By-pass assembly, 2 in.
	R172393	2	O-ring, access plug, earlier models
	R172392	2	1/4 in. Access plug, earlier models
10	R172480	1	90° Vac plate adapter
11	R172479	1	Vac plate

Item	Part No.	Qty.	Description
<b>FACE PLATE KIT</b>			
12	R172470	1	Gasket-rear
13	R172475	2	Screw, 13-16 x 3/4 in. hi-lo pan head
14	R172471	1	Gasket-front face plate
15	R172472	1	Face plate
16	R172474	8	Screw, 13-16 x 1-1/4 in. hi-lo flat head
17	R172469	1	Weir gate assembly
18	R172473	1	Safety face plate cover, white
19	R172483	2	Screw, 13-16 x 1-5/8 in. hi-lo flat head
20	R172605	2	Screw hole plug
21	R172036	Opt.	Silicone lubricant
22	R172560	Opt.	DSF Chlorine/bromine dispenser
23	R172624	1	Extension Flange 1.5"