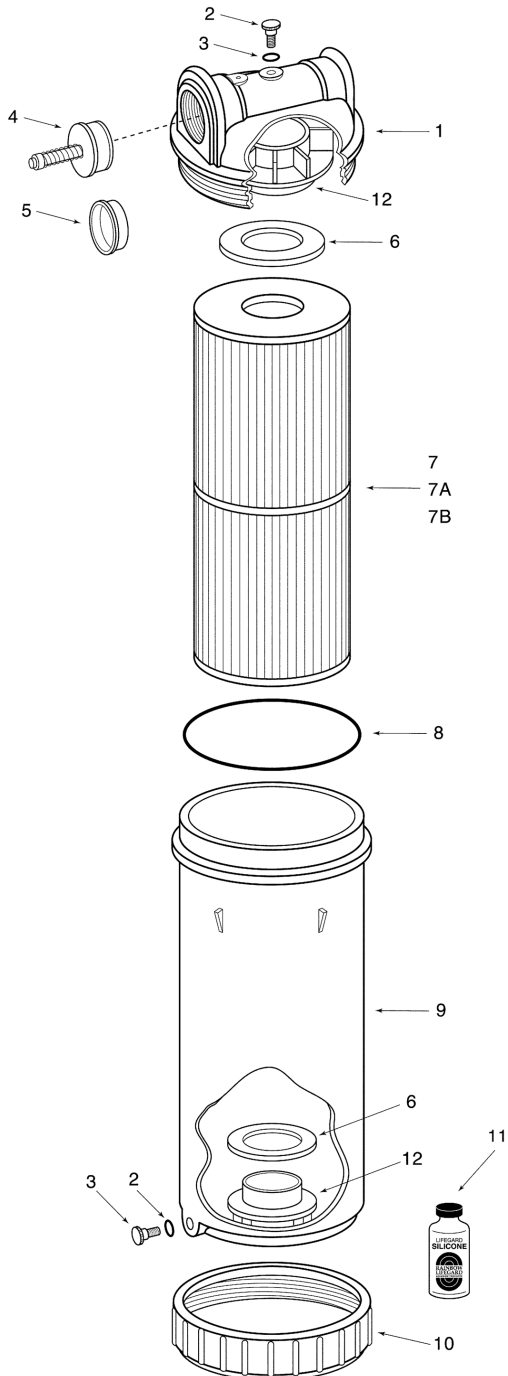


# DYNAMIC® FILTER SERIES I - MODEL RDC

## REPLACEMENT PARTS

Item	Part No.	Qty.	Description
<b>DYNAMIC SERIES 1 INLINE CARTRIDGE FILTER MODELS: RDC-25 &amp; RDC-25S, RDC-50 &amp; RDC-50S</b>			
1	R172213	1	Manifold only, 1-1/2 in. FPT
1	R172213S	1	Manifold only, 1-1/2 in. socket
1	R172213XT	1	Manifold only, black, 1-1/2 in. FPT
1	R172213X	1	Manifold only, black, 1-1/2 in. socket
1A	R172213C	1	Complete manifold, 1-1/2 in. FPT <sup>1</sup>
1A	R172213SC	1	Complete manifold, 1-1/2 in. socket <sup>1</sup>
1A	R172213PT	1	Complete manifold, black, 1-1/2 in. FPT <sup>1</sup>
1A	R172213P	1	Complete manifold, black, 1-1/2 in. FPT <sup>1</sup>
2	R172221	2	O-ring for drain & vent valve
3	R172224X	2	Drain and vent valve, black
4	R172226X	1	By-pass assembly, black
5	R172225X	1	Plug to disable by-pass, black
6	R172222	2	Cartridge gasket
7	R173428	1	25 sq. ft. cartridge, 6 oz.
7B	R173434	1	Cartridge, 3 oz., 13-1/4 in., 50 sq. ft.
8	R172223	1	O-ring for cartridge housing
9	R172212	1	Cartridge housing
9	R172212X	1	Cartridge housing, black
10	R172214	1	Lock ring
11	R172036	Opt.	Silicone lubricant
12	R172232X	2	Support ring, black



<sup>1</sup> Complete manifold includes No. 1, No. 2, No. 3, No. 4, No. 6 and No. 12.